



US00D972299S

(12) **United States Design Patent** (10) **Patent No.:** **US D972,299 S**
Zhou (45) **Date of Patent:** **** Dec. 13, 2022**

(54) **PORTABLE SILVERWARE CASE**
(71) Applicant: **Peixiu Zhou**, Shenzhen (CN)
(72) Inventor: **Peixiu Zhou**, Shenzhen (CN)

D894,590 S * 9/2020 Jais D3/205
D918,573 S * 5/2021 Qiao D3/206
D938,715 S * 12/2021 Long D3/206

(**) Term: **15 Years**
(21) Appl. No.: **29/801,864**

OTHER PUBLICATIONS

Amazon, "DEVICO Portable Utensils . . . ", First on sale Mar. 11, 2019. (<https://www.amazon.com/dp/B07PLDBZC5/>) (Year: 2019).*
Amazon, "Travel Reusable Utensils Silverware with Case . . . ", Aug. 4, 2021. (<https://www.amazon.com/dp/B09BTQX1T5/>) (Year: 2021).*
Amazon, "Portable Travel Utensils Silverware set with Case . . . ", First on sale Sep. 6, 2021. (<https://www.amazon.com/dp/B09FJH9TJL?th=1>) (Year: 2021).*
Amazon, "Easthill Small Pencil Case . . . ", First review Jan. 10, 2022. (<https://www.amazon.com/dp/B09LCXC9TF/?th=1>) (Year: 2022).*

(22) Filed: **Aug. 1, 2021**
(51) **LOC (13) Cl.** **03-01**
(52) **U.S. Cl.**
USPC **D3/283**; D3/289; D3/301; D3/903
(58) **Field of Classification Search**
USPC D7/637, 641; D3/273, 276, 285, 287,
D3/283, 289, 301, 901, 903; D19/83, 85
CPC A47G 29/08; A47J 45/02
See application file for complete search history.

* cited by examiner

Primary Examiner — April Rivas
(74) *Attorney, Agent, or Firm* — Rumit Ranjit Kanakia

(56) **References Cited**

(57) **CLAIM**

U.S. PATENT DOCUMENTS

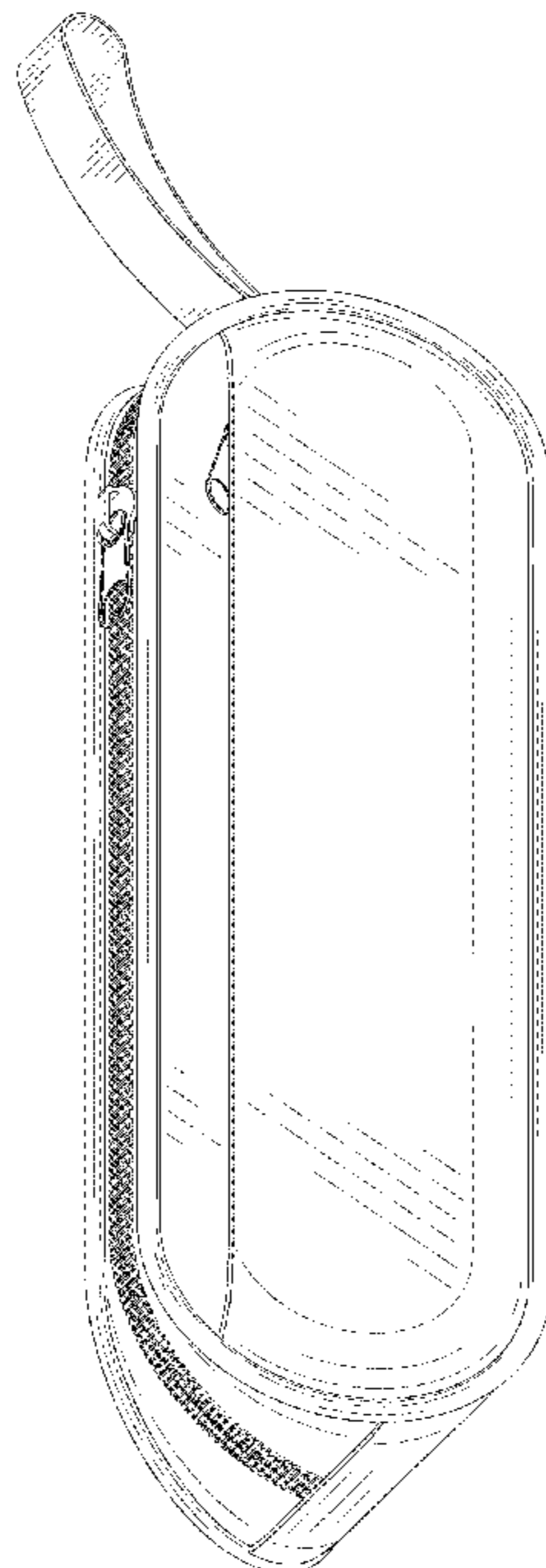
The ornamental design for a portable silverware case, as shown and described.

D280,864 S	*	10/1985	Allen	D3/901
D281,121 S	*	10/1985	Cunliffe	D3/273
D430,393 S	*	9/2000	Conway	D3/265
D512,222 S	*	12/2005	Sezgin	D3/205
D582,159 S	*	12/2008	Gilbert	D7/391
D618,966 S	*	7/2010	Koehler	D7/607
D623,408 S		9/2010	Benedetti		
D662,320 S	*	6/2012	De Leo	D3/274
D692,662 S	*	11/2013	Pignotti	D3/289
D712,144 S	*	9/2014	Albanese	D3/301
D728,169 S		4/2015	Yacov et al.		
D730,049 S	*	5/2015	Miksovsky	D3/274
D737,049 S		8/2015	Seip et al.		
D857,375 S	*	8/2019	Case	D3/205
D865,363 S	*	11/2019	Liu	D9/702
D877,493 S	*	3/2020	Zhang	D3/215

DESCRIPTION

FIG. 1 is a left side perspective view of a portable silverware case, showing my new design;
FIG. 2 is a right side perspective view thereof;
FIG. 3 is a front view thereof;
FIG. 4 is a back view thereof;
FIG. 5 is a left side view thereof;
FIG. 6 is a right side view thereof;
FIG. 7 is a top view thereof; and,
FIG. 8 is a bottom view thereof.

1 Claim, 8 Drawing Sheets



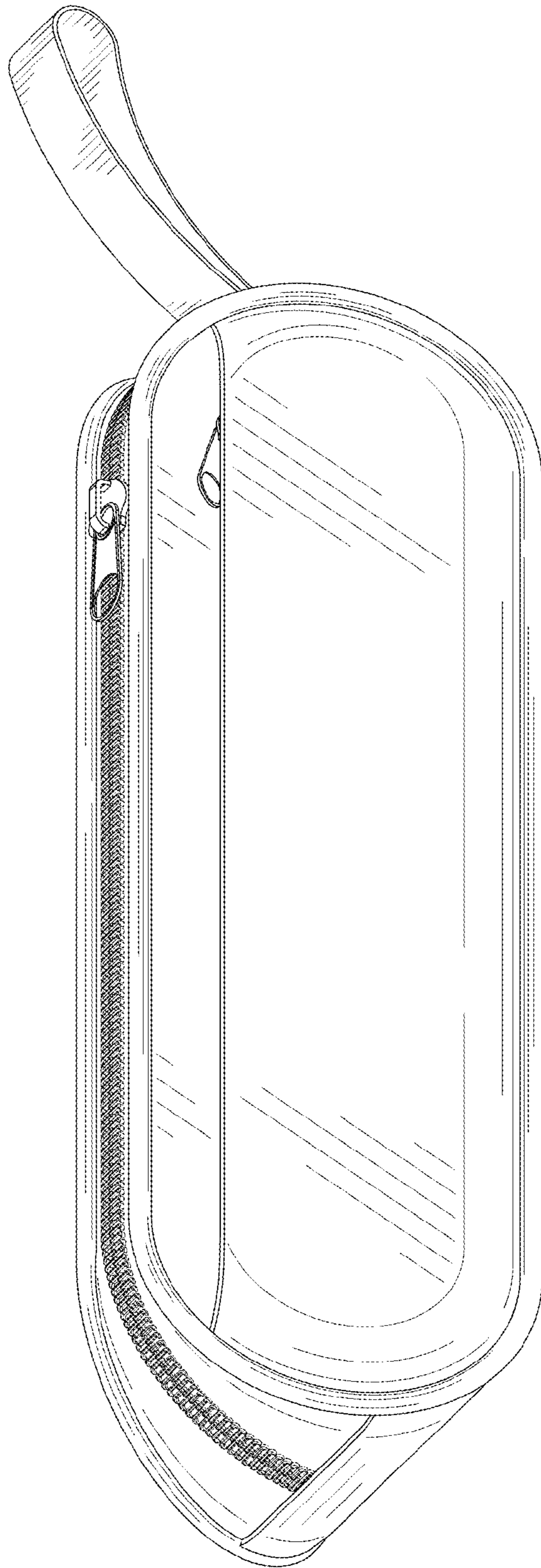


FIG. 1

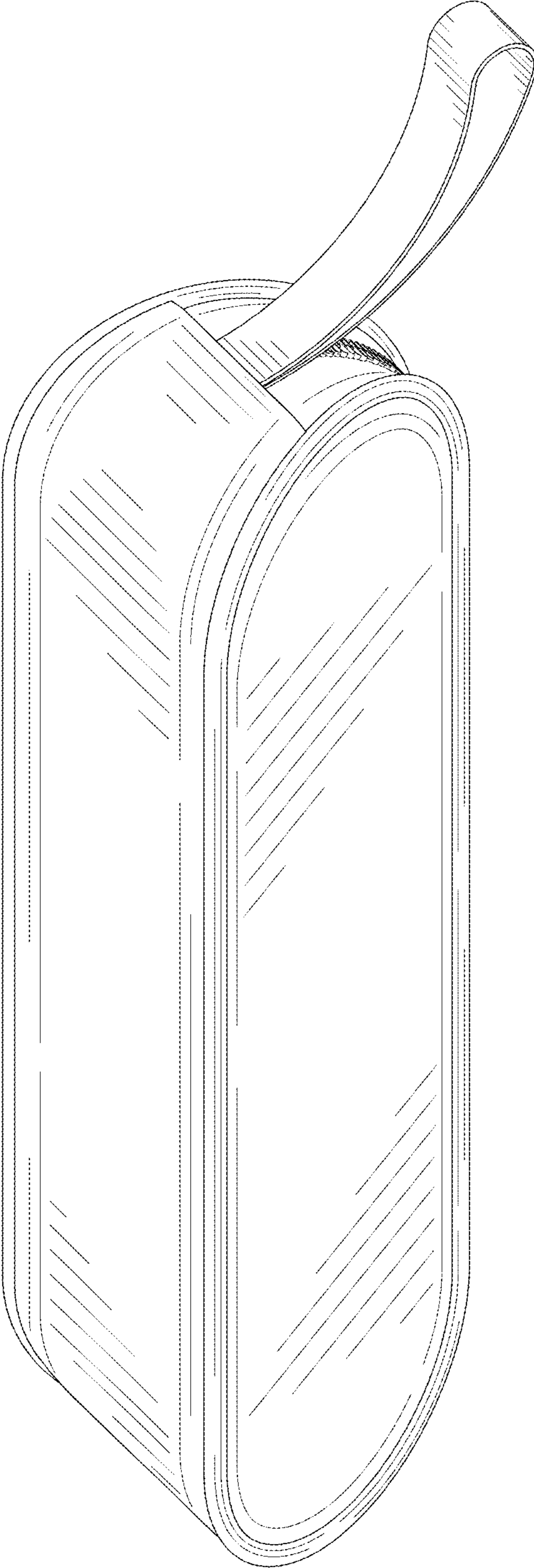


FIG. 2

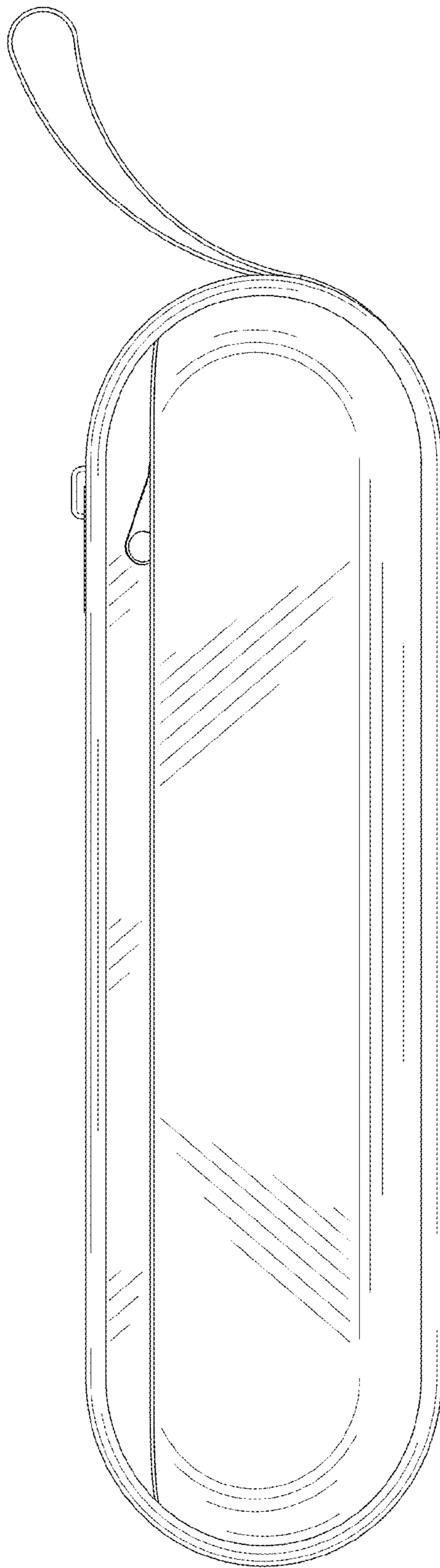


FIG. 3

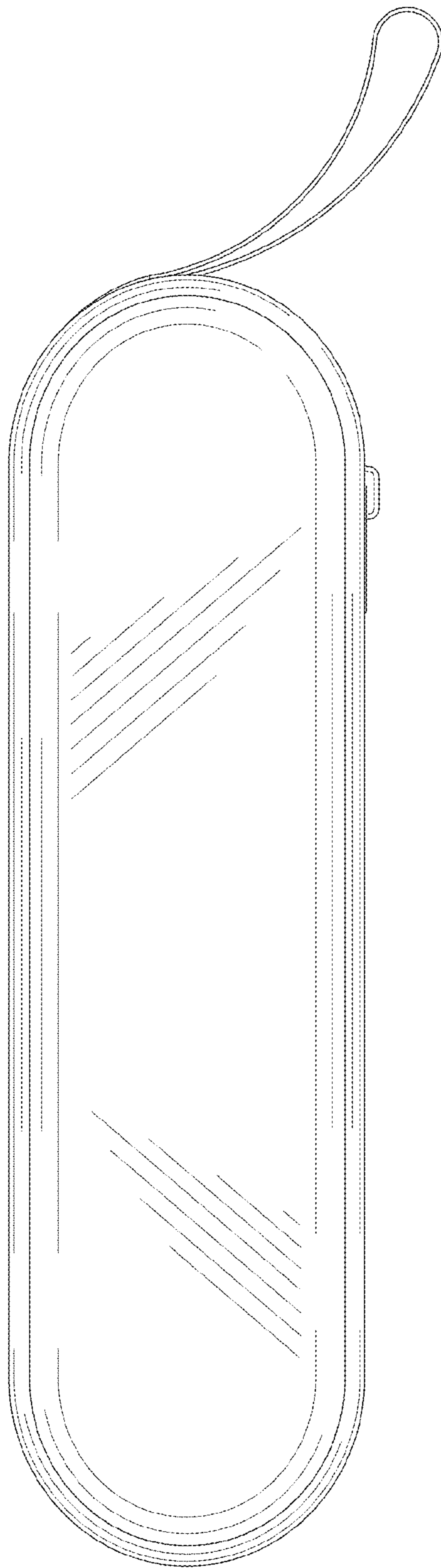


FIG. 4

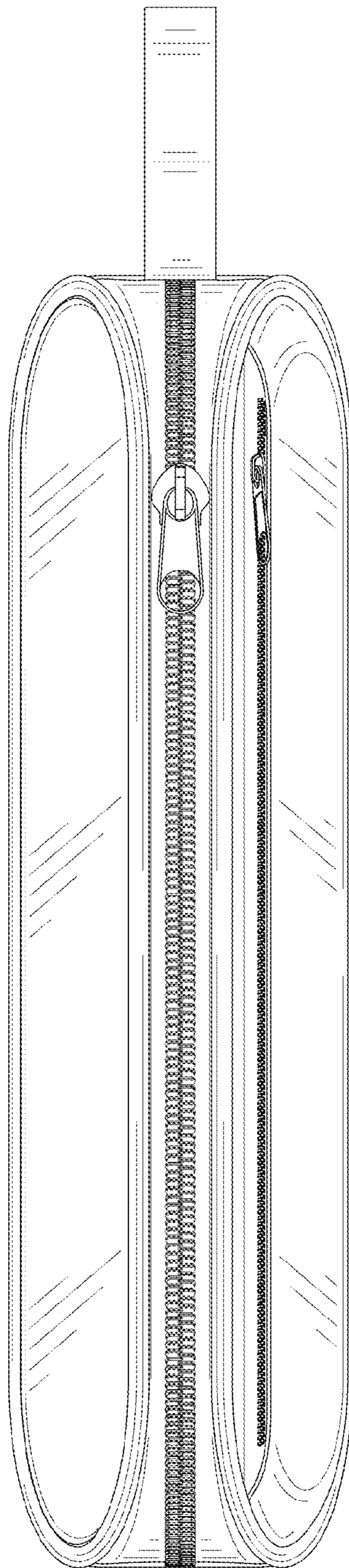


FIG. 5

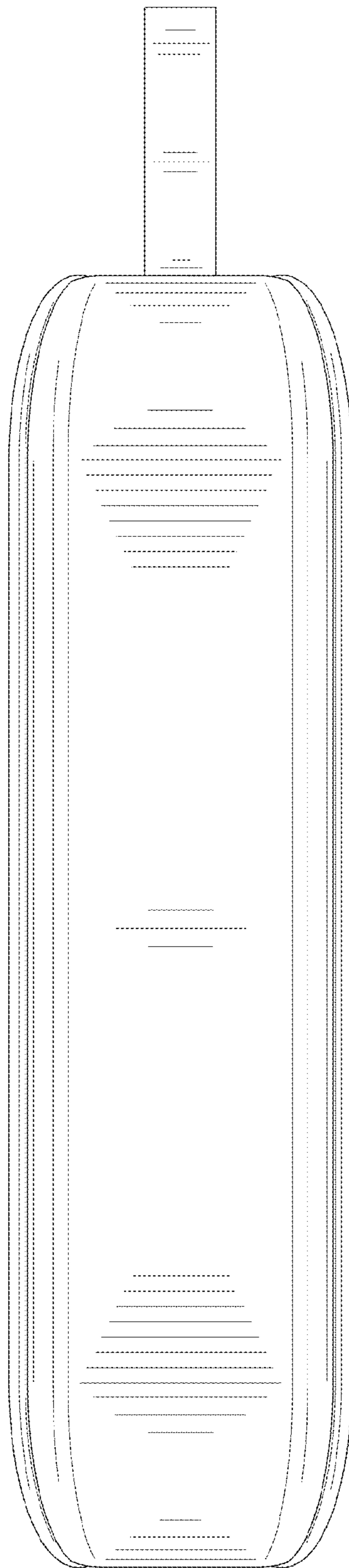


FIG. 6

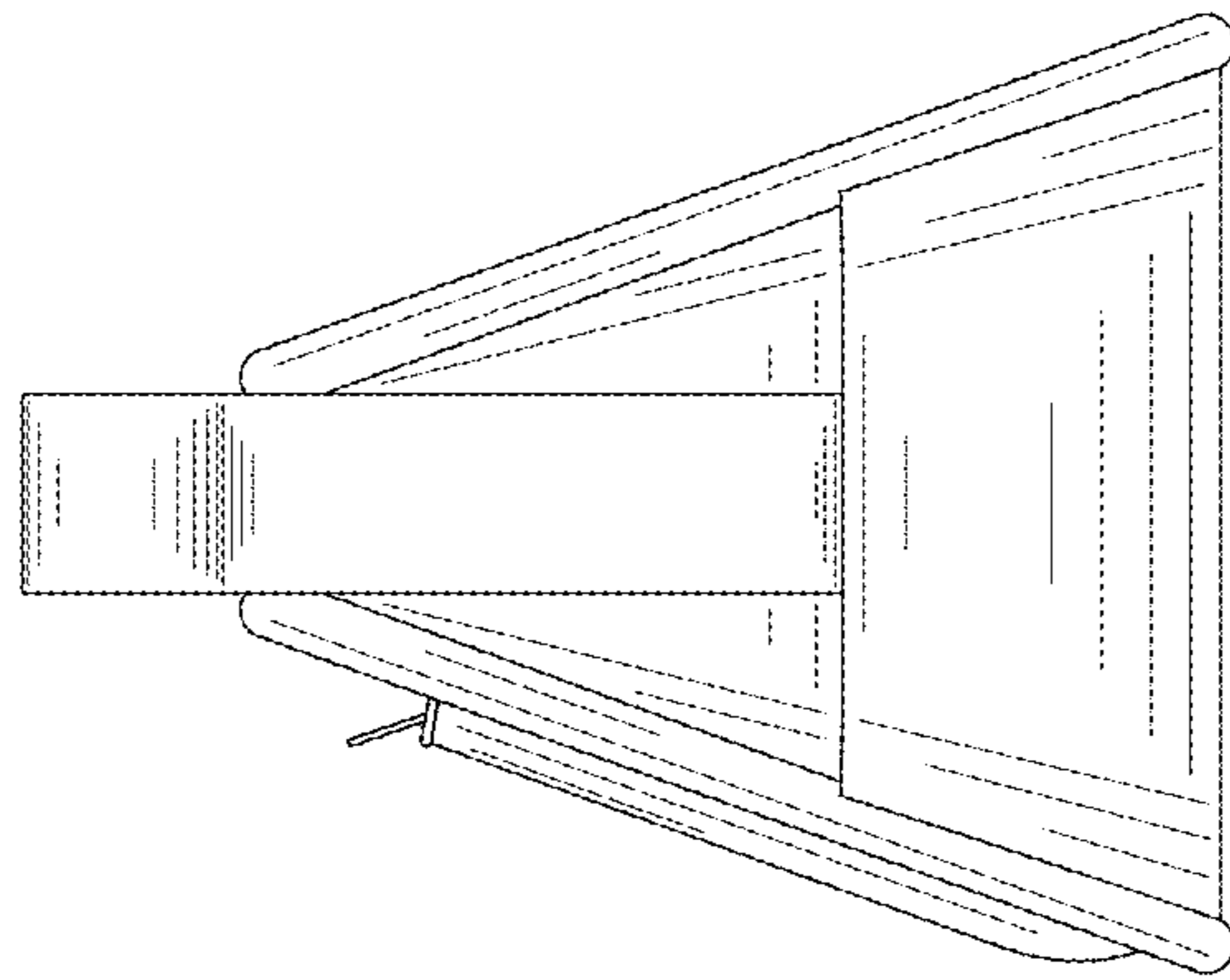


FIG. 7

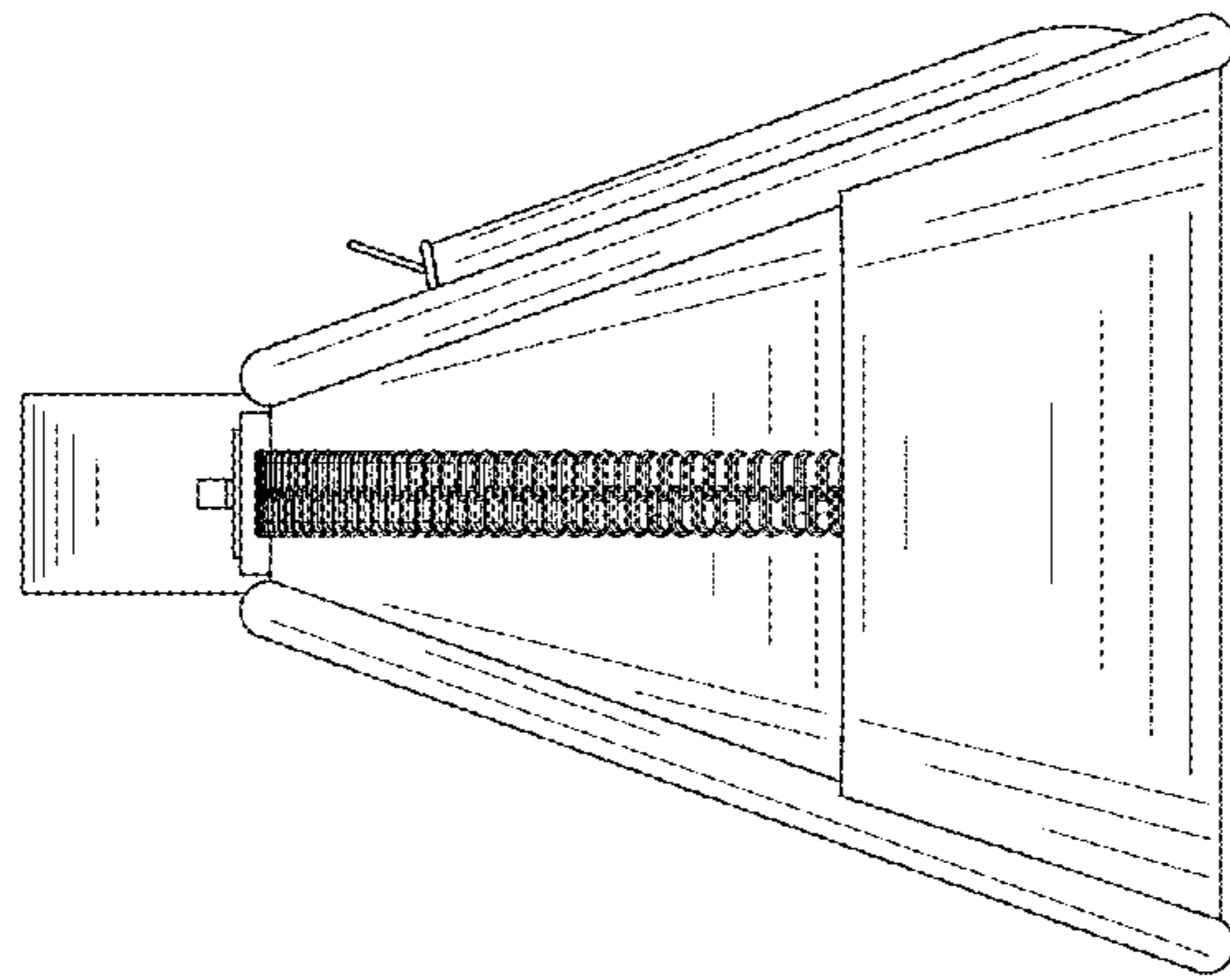


FIG. 8