

(56)

References Cited

U.S. PATENT DOCUMENTS

D710,102	S	*	8/2014	Horovitz	D3/905
D710,103	S	*	8/2014	Horovitz	D3/905
D718,934	S	*	12/2014	Lin	D3/905
D738,105	S	*	9/2015	Shitrit	D3/276
D744,750	S	*	12/2015	Sabbag	D3/905
D753,396	S	*	4/2016	Brunner	D3/905
D792,094	S	*	7/2017	Stoikos	D3/274
D798,054	S	*	9/2017	Shpitzer	D3/905
D831,352	S	*	10/2018	Brunner	D3/905
D837,516	S	*	1/2019	Shpitzer	D3/297
D844,983	S	*	4/2019	Brunner	D3/905
D851,929	S	*	6/2019	Shpitzer	D3/276
D857,387	S	*	8/2019	Shpitzer	D3/905
D857,388	S	*	8/2019	Shpitzer	D3/905
D857,389	S		8/2019	Hsiao		
D873,010	S	*	1/2020	Feng	D3/905
D893,869	S	*	8/2020	Krämer	D3/905
D894,599	S	*	9/2020	Krämer	D3/905
D951,643	S	*	5/2022	Nichols	D3/319
D958,533	S	*	7/2022	Shao	D3/905
D964,028	S	*	9/2022	Liao	D3/273
D964,029	S	*	9/2022	Adin	D3/276
D965,294	S	*	10/2022	Adin	D3/276

* cited by examiner

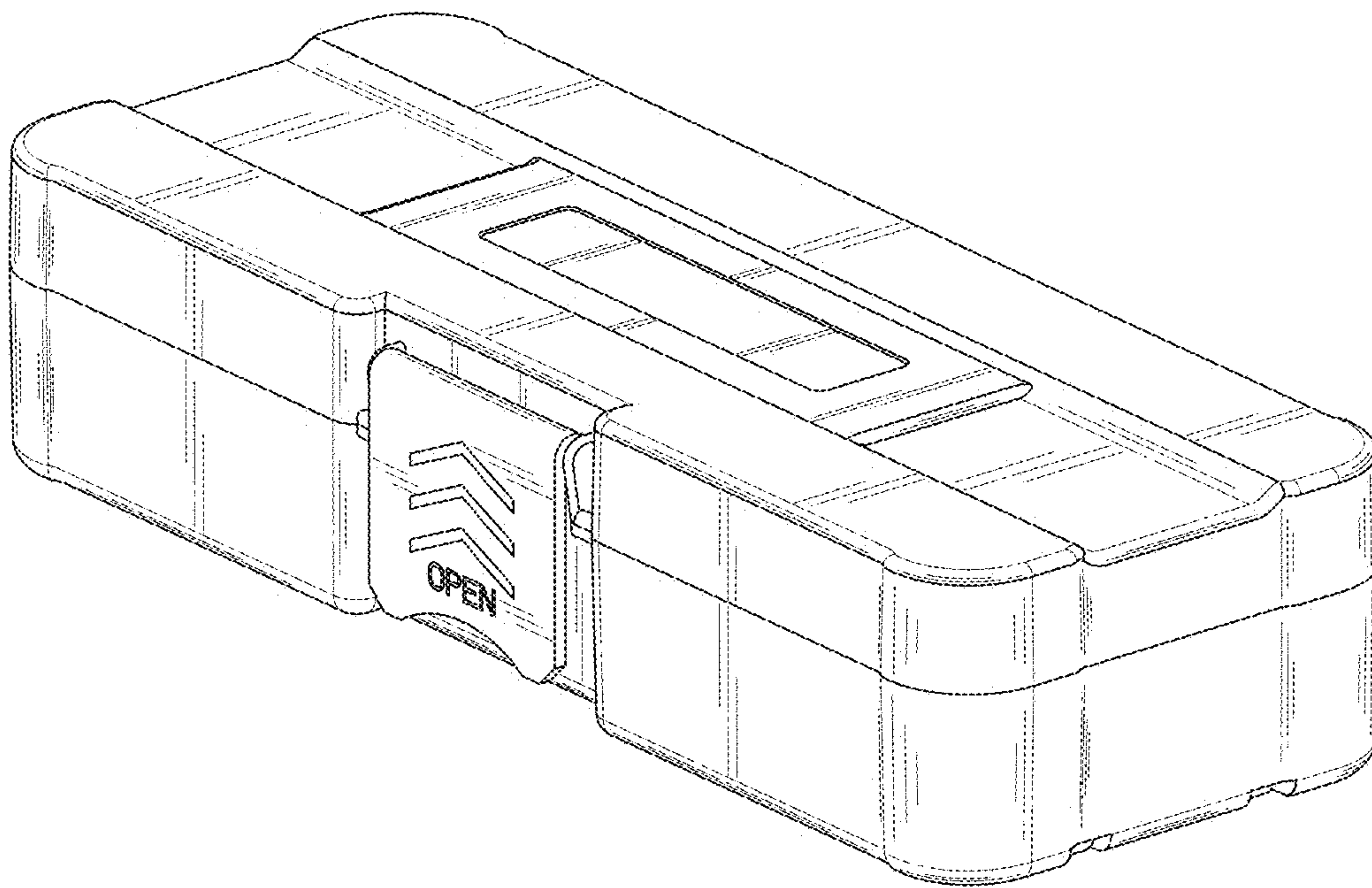


FIG.1

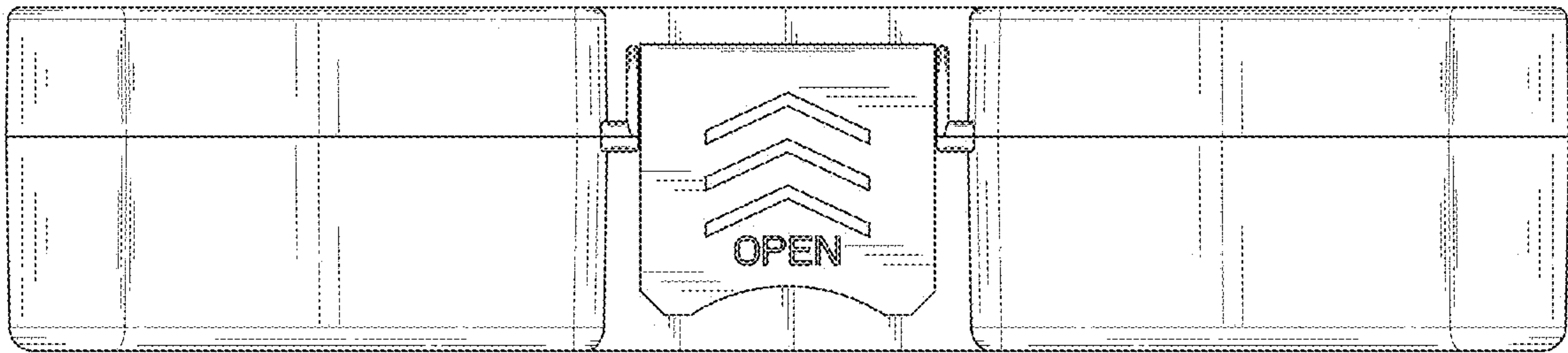


FIG. 2

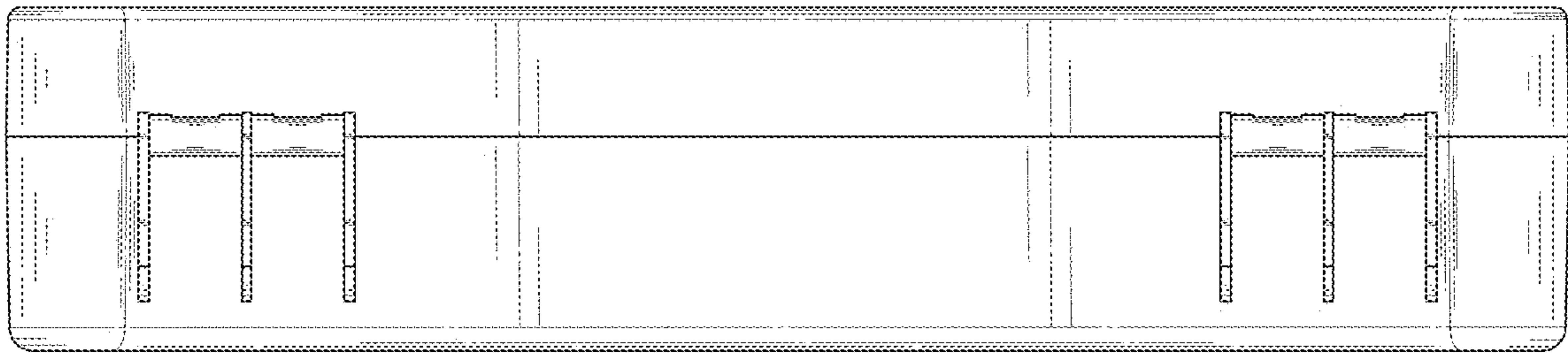


FIG.3

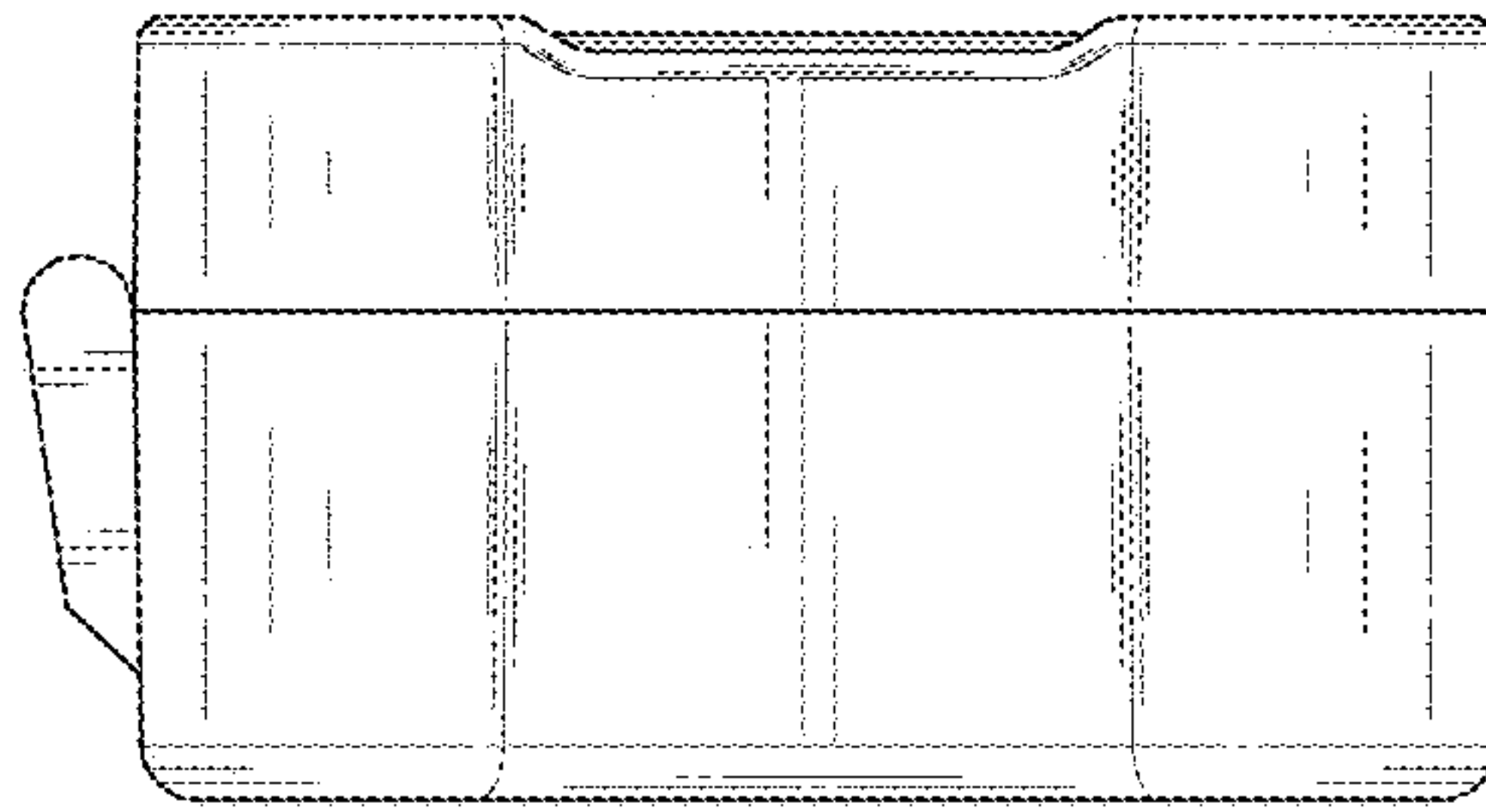


FIG.4

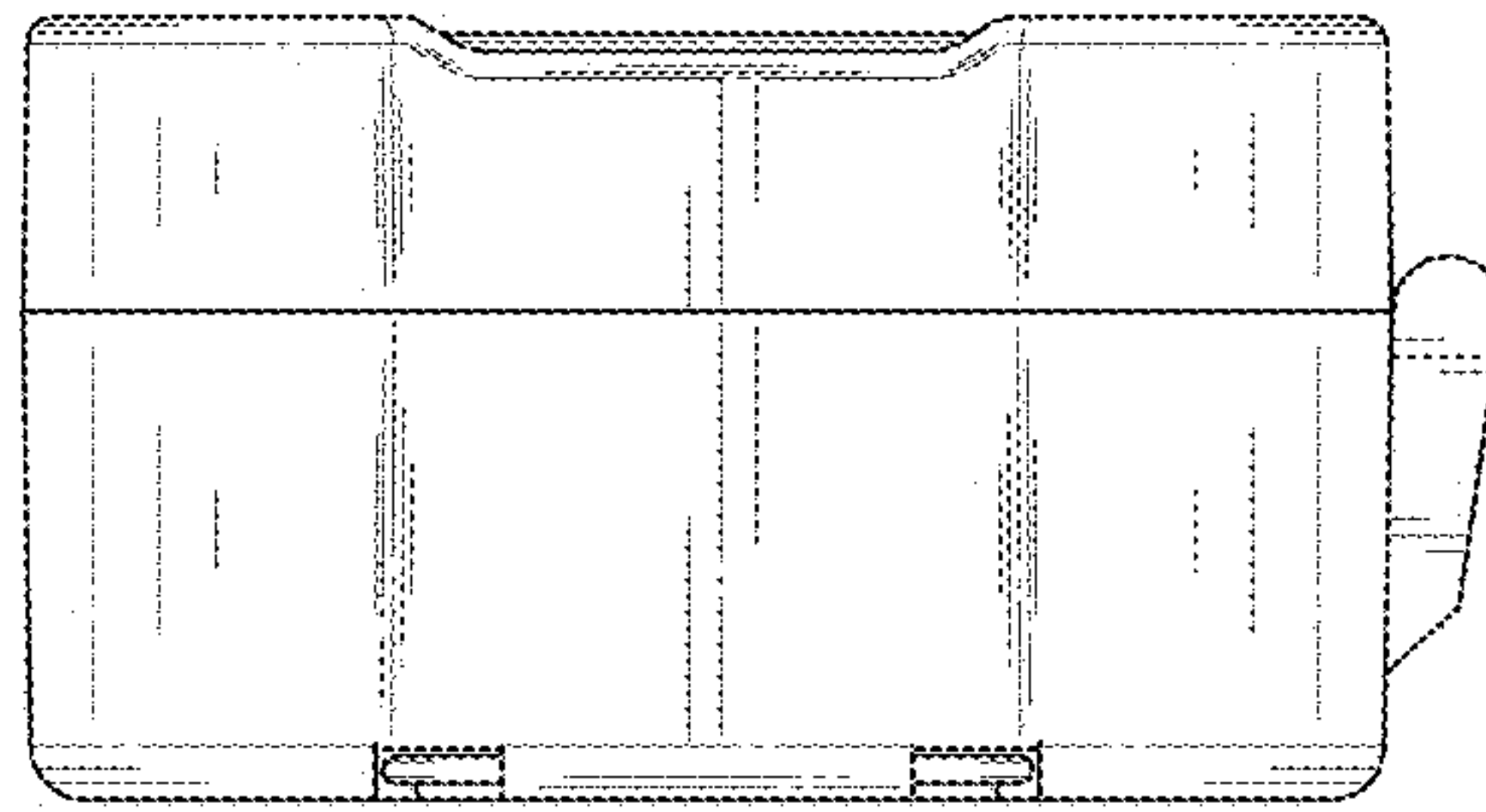


FIG.5

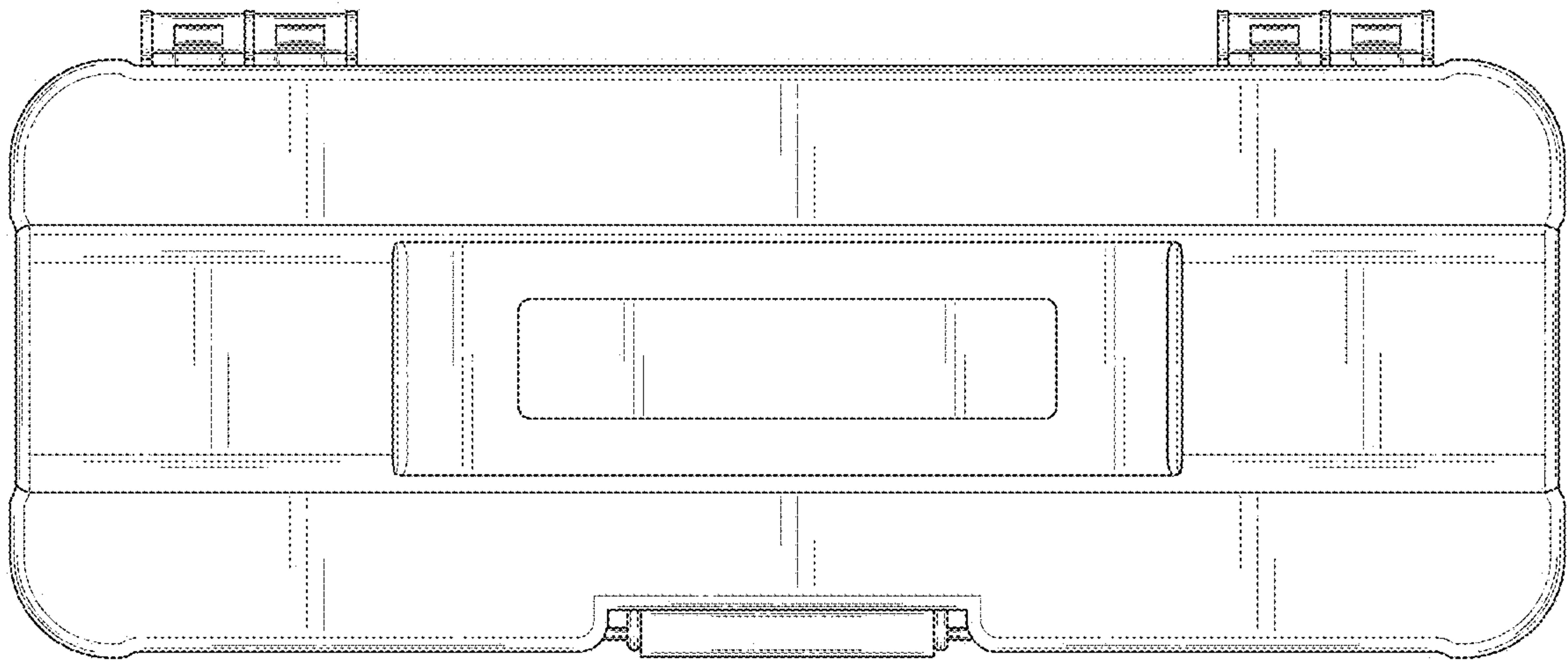


FIG.6

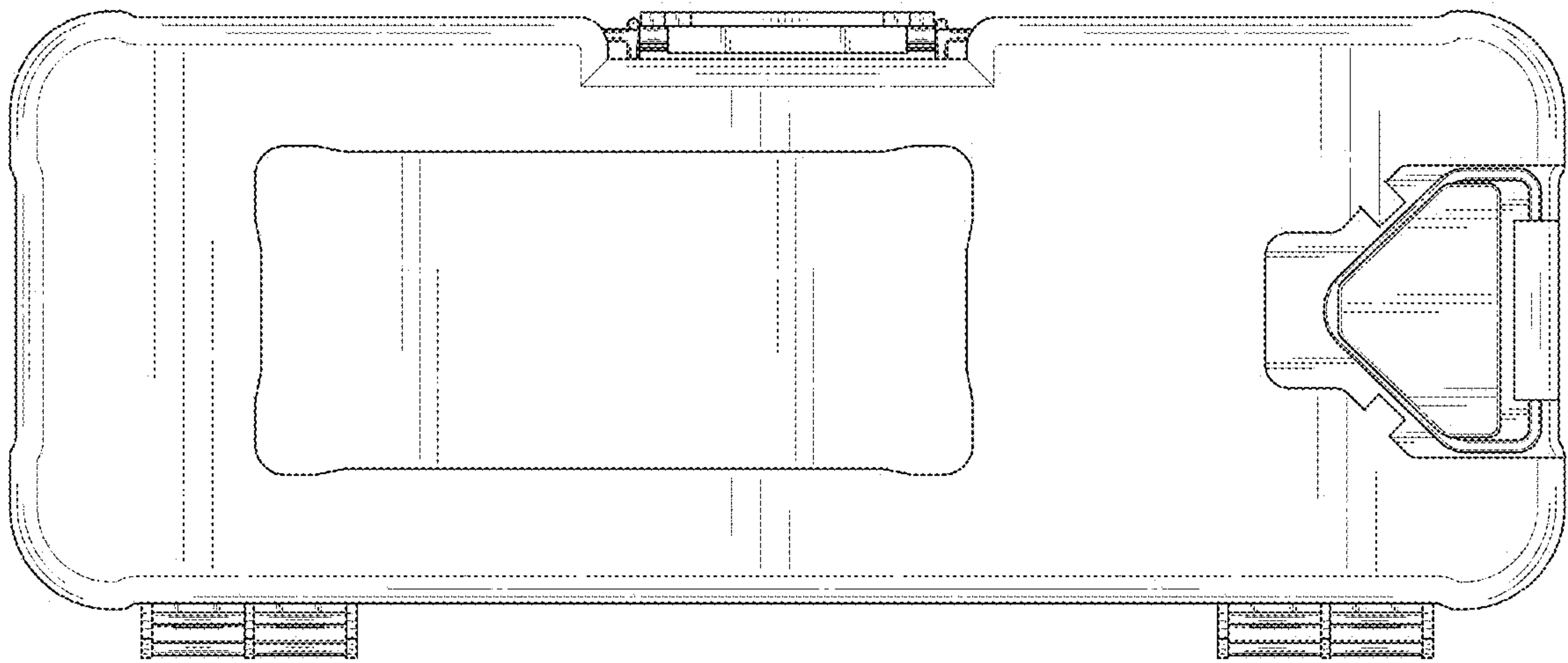


FIG. 7

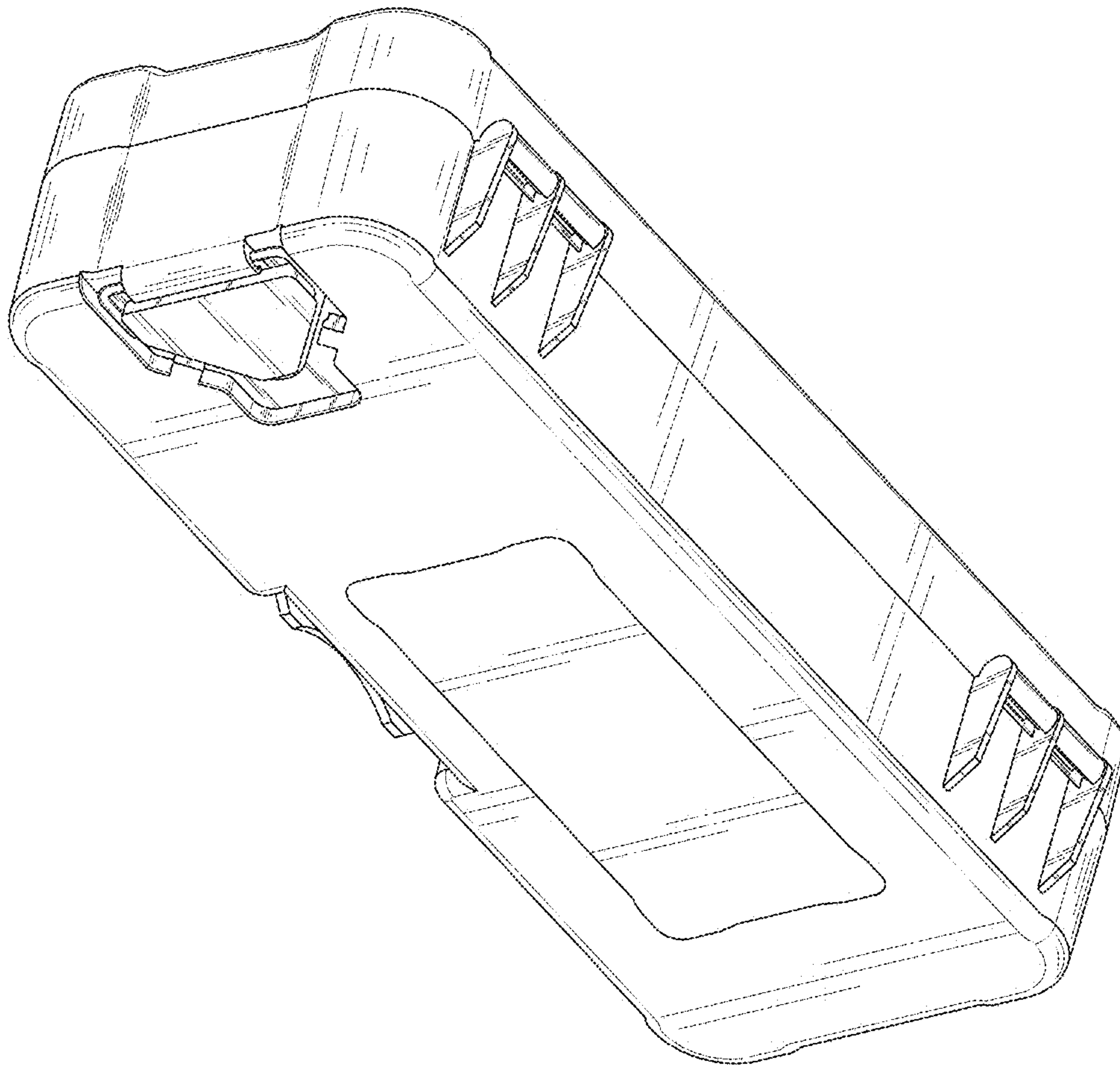


FIG.8

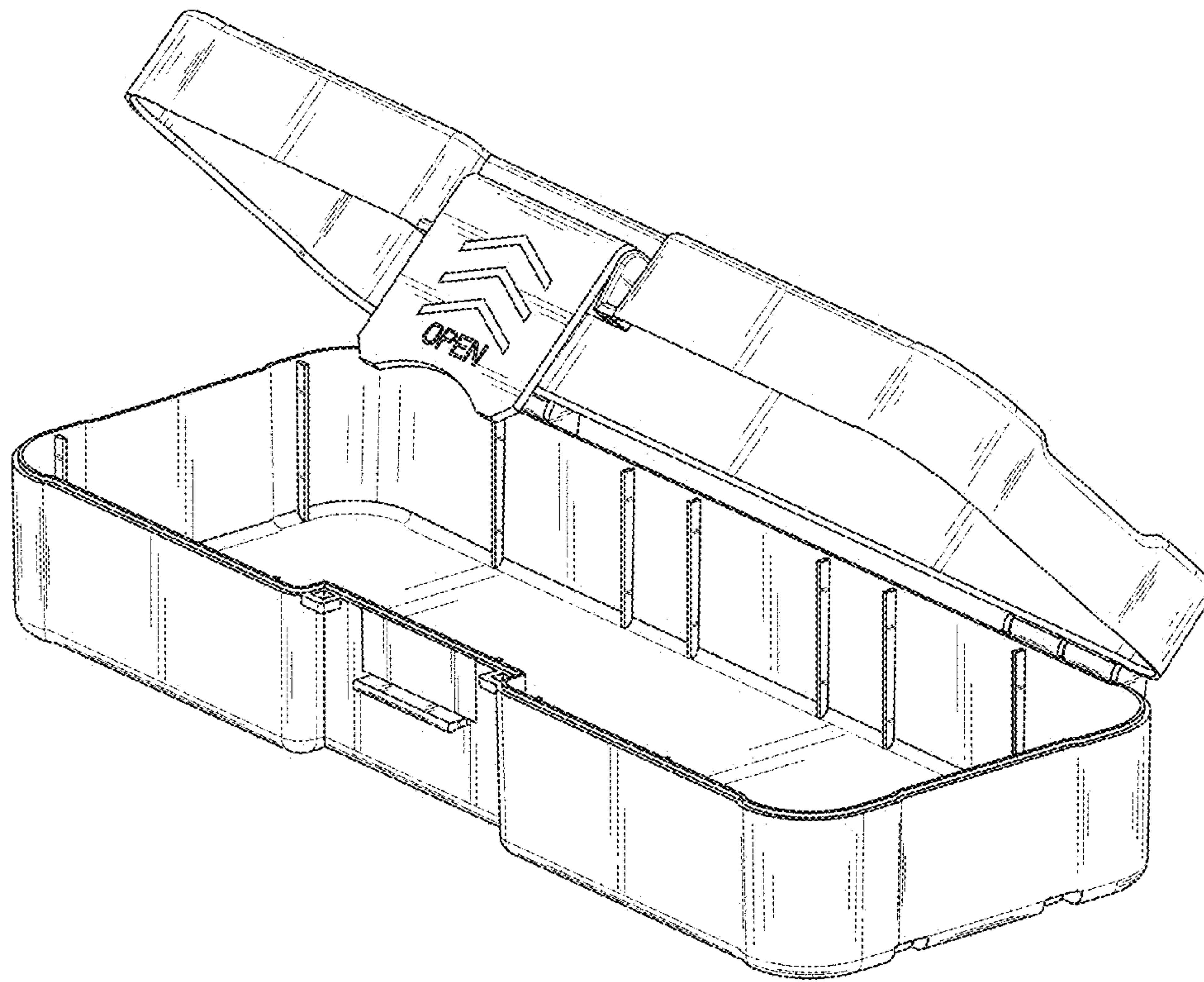


FIG.9