



US00D972291S

(12) **United States Design Patent** (10) **Patent No.:** **US D972,291 S**  
**Lee** (45) **Date of Patent:** **\*\* Dec. 13, 2022**

(54) **HANDBAG/SHOULDER BAG**

(71) Applicant: **Trias Holding AG**, Zug (CH)

(72) Inventor: **Beetna Lee**, Seoul (KR)

(\*\*) Term: **15 Years**

(21) Appl. No.: **35/515,015**

(22) Filed: **May 30, 2022**

(80) **Hague Agreement Data**

Int. Filing Date: **May 30, 2022**

Int. Reg. No.: **DM/222841**

Int. Reg. Date: **May 30, 2022**

Int. Reg. Pub. Date: **Aug. 26, 2022**

(51) **LOC (13) Cl.** ..... **03-01**

(52) **U.S. Cl.**  
USPC ..... **D3/232**

(58) **Field of Classification Search**  
USPC ..... D3/232, 243, 245  
CPC ..... A45C 3/06  
See application file for complete search history.

(56) **References Cited**

**U.S. PATENT DOCUMENTS**

D785,324 S \* 5/2017 Philo ..... D3/246  
D795,574 S \* 8/2017 Pfister ..... D3/245  
D801,681 S \* 11/2017 Smilovic ..... D3/245  
D805,768 S \* 12/2017 Nicotra ..... D3/232  
D808,154 S \* 1/2018 Romano ..... D3/232

(Continued)

*Primary Examiner* — Charles D Hanson

(57) **CLAIM**

The ornamental design for handbag/shoulder bag, as shown and described.

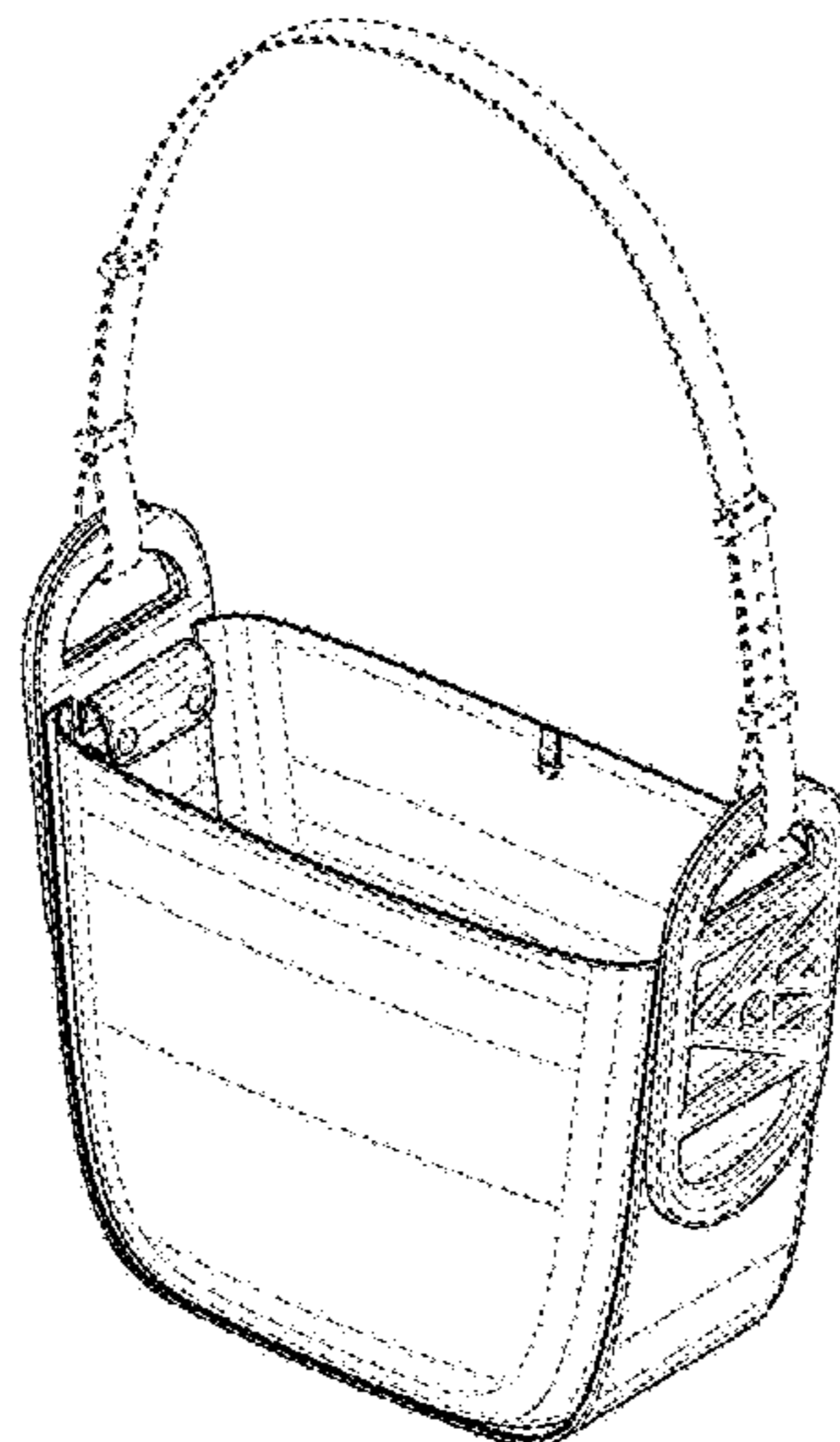
**DESCRIPTION**

- 1. Handbag/shoulder bag
- 2. Handbag/shoulder bag

- 1.1 : Front
- 1.2 : Back
- 1.3 : Right
- 1.4 : Left
- 1.5 : Top
- 1.6 : Bottom
- 1.7 : Perspective
- 1.8 : Perspective
- 1.9 : Front
- 1.10 : Back
- 1.11 : Right view closed bag
- 1.12 : Left view closed bag
- 1.13 : Top view closed bag
- 1.14 : Bottom view closed bag
- 1.15 : Perspective view closed bag
- 1.16 : Perspective view closed bag
- 2.1 : Front
- 2.2 : Back
- 2.3 : Right
- 2.4 : Left
- 2.5 : Top
- 2.6 : Bottom
- 2.7 : Perspective
- 2.8 : Perspective
- 2.9 : Front
- 2.10 : Back
- 2.11 : Right view closed bag
- 2.12 : Left view closed bag
- 2.13 : Top view closed bag
- 2.14 : Bottom view closed bag
- 2.15 : Perspective view closed bag
- 2.16 : Perspective view closed bag

The shape of the bag is designed to allow for it to be carried with the oval element containing the handle appearing either on the wide sides or on the narrow sides of the bag; the bag can be carried by hand or with the help of a strap, worn over the shoulder or cross-body; the strap (drawn in broken lines) is not part of the design; the dashed lines in the reproductions show stitching; the fine lines that are irregularly interrupted are meant to suggest the contour of the surface.

**1 Claim, 32 Drawing Sheets**



(56)

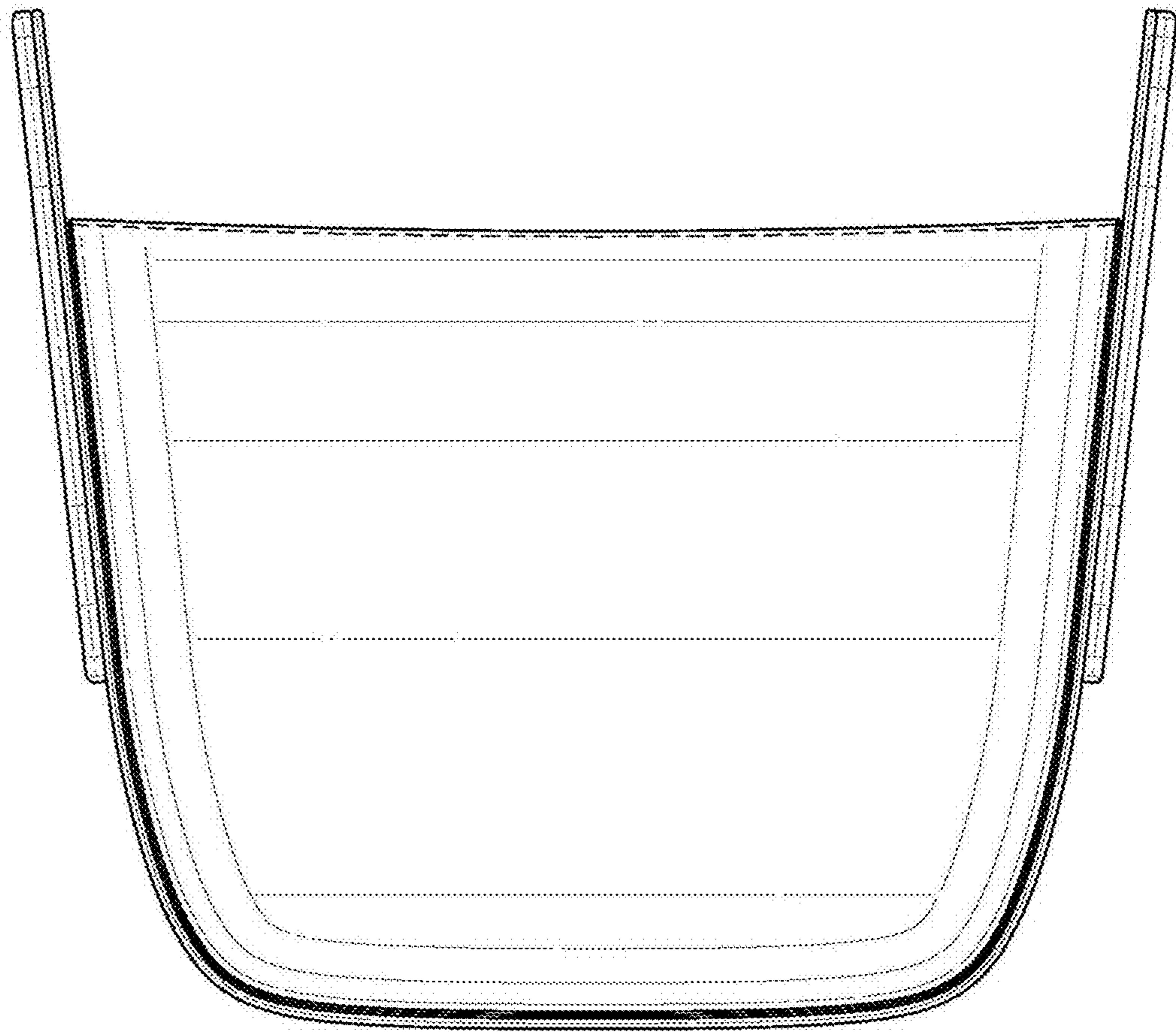
**References Cited**

## U.S. PATENT DOCUMENTS

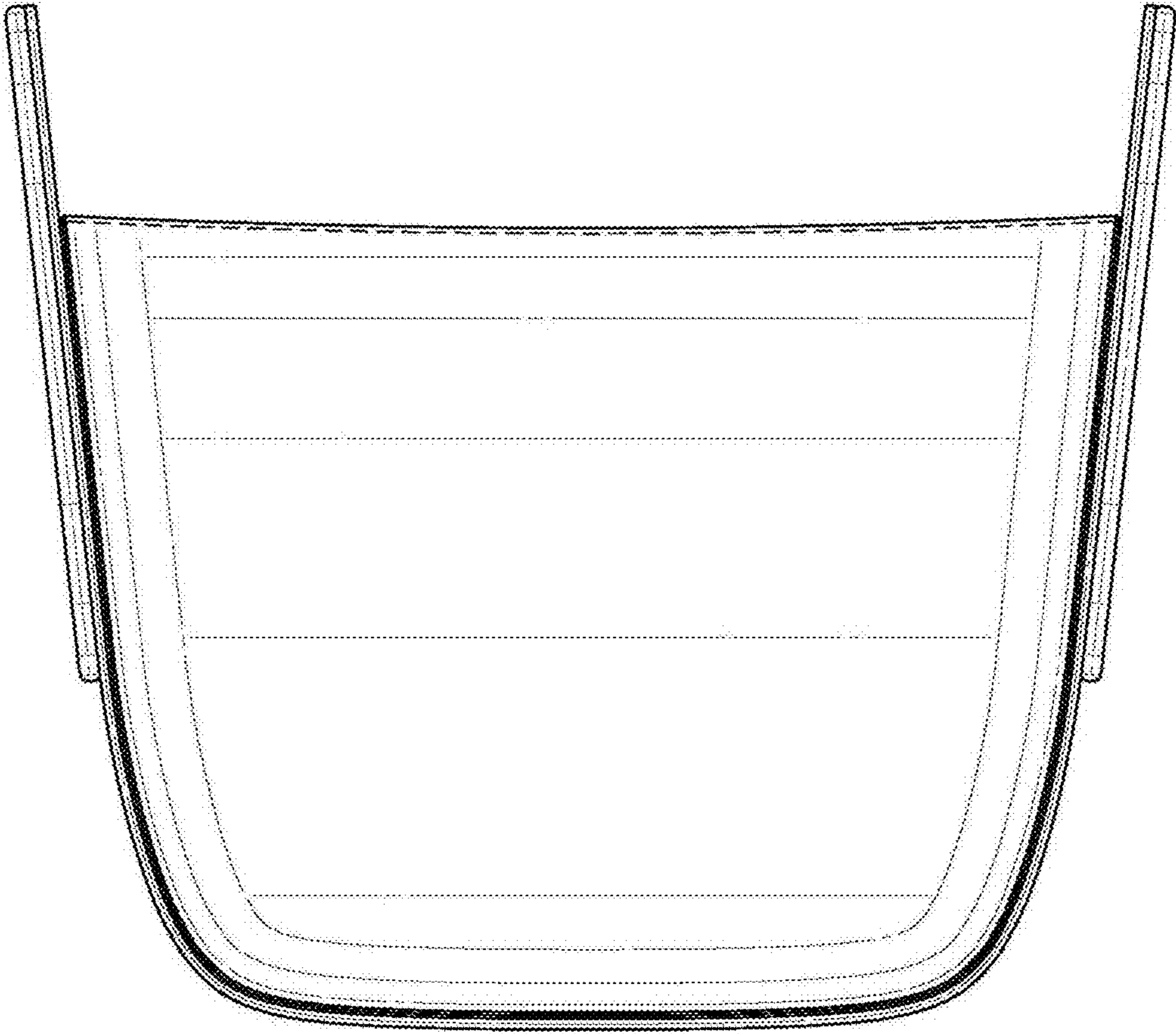
D831,958	S	*	10/2018	Philo	.....	D3/246
D851,924	S	*	6/2019	Dumas	.....	D3/246
D855,314	S	*	8/2019	Rahardjo	.....	D3/243
D855,978	S	*	8/2019	Rahardjo	.....	D3/243
D855,979	S	*	8/2019	Rahardjo	.....	D3/243
D871,063	S	*	12/2019	Morgan	.....	D3/245
D888,420	S	*	6/2020	Gerbi	.....	D3/245
D889,823	S	*	7/2020	Amat	.....	D3/243
D893,866	S	*	8/2020	Xiao	.....	D3/243
D896,508	S	*	9/2020	Lee	.....	D3/245
D897,670	S	*	10/2020	Hanley	.....	D3/243
D897,671	S	*	10/2020	Hanley	.....	D3/243
D954,433	S	*	6/2022	Knightly	.....	A45C 3/06 D3/243
D954,434	S	*	6/2022	Knightly	.....	A45C 3/06 D3/245
D958,524	S	*	7/2022	Carrouee	.....	D3/246
D958,525	S	*	7/2022	Carrouee	.....	D3/246
D960,565	S	*	8/2022	Vaccarello	.....	D3/243
D961,250	S	*	8/2022	Carrouee	.....	D3/246
D964,026	S	*	9/2022	Kong	.....	D3/246

\* cited by examiner

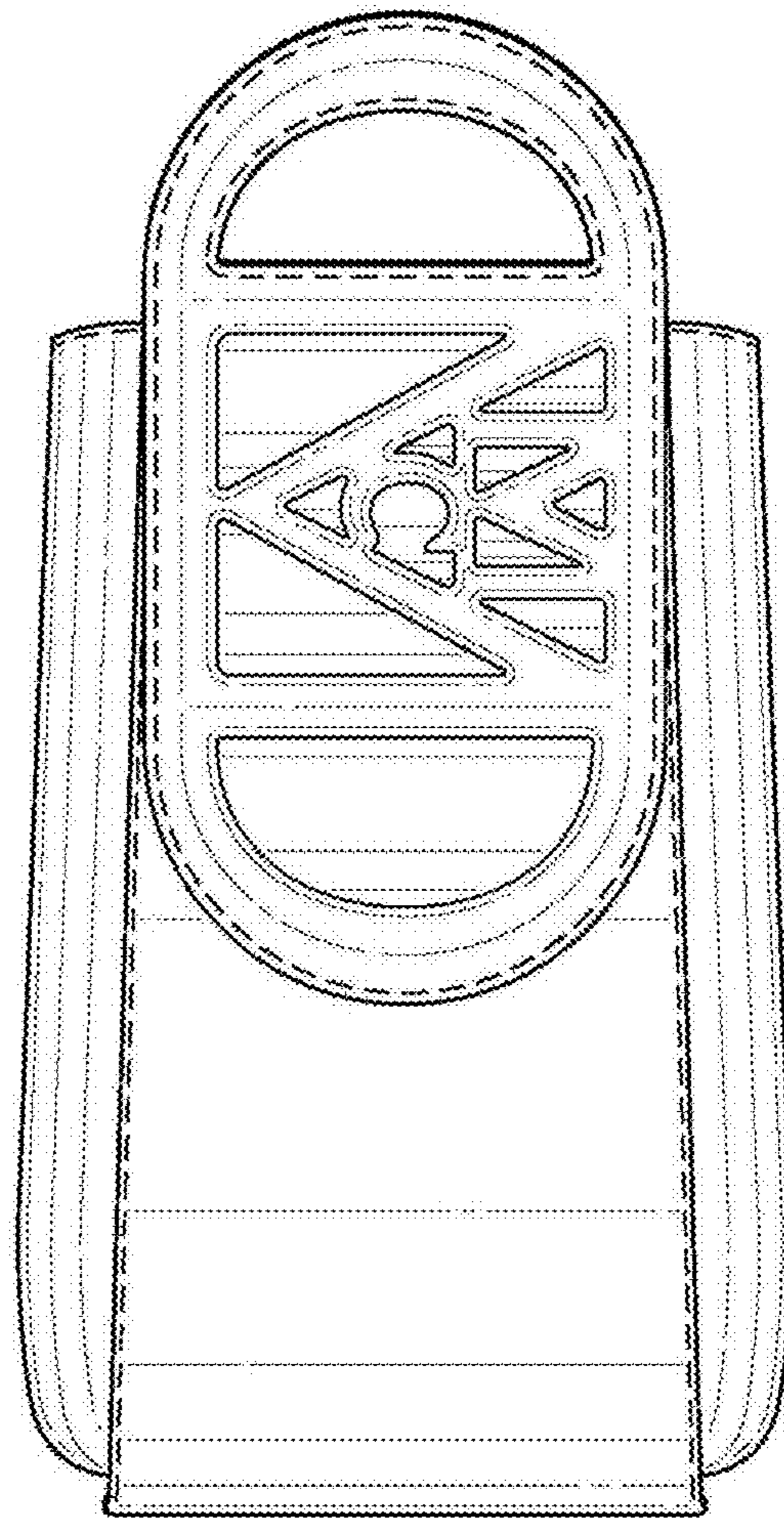
1.1



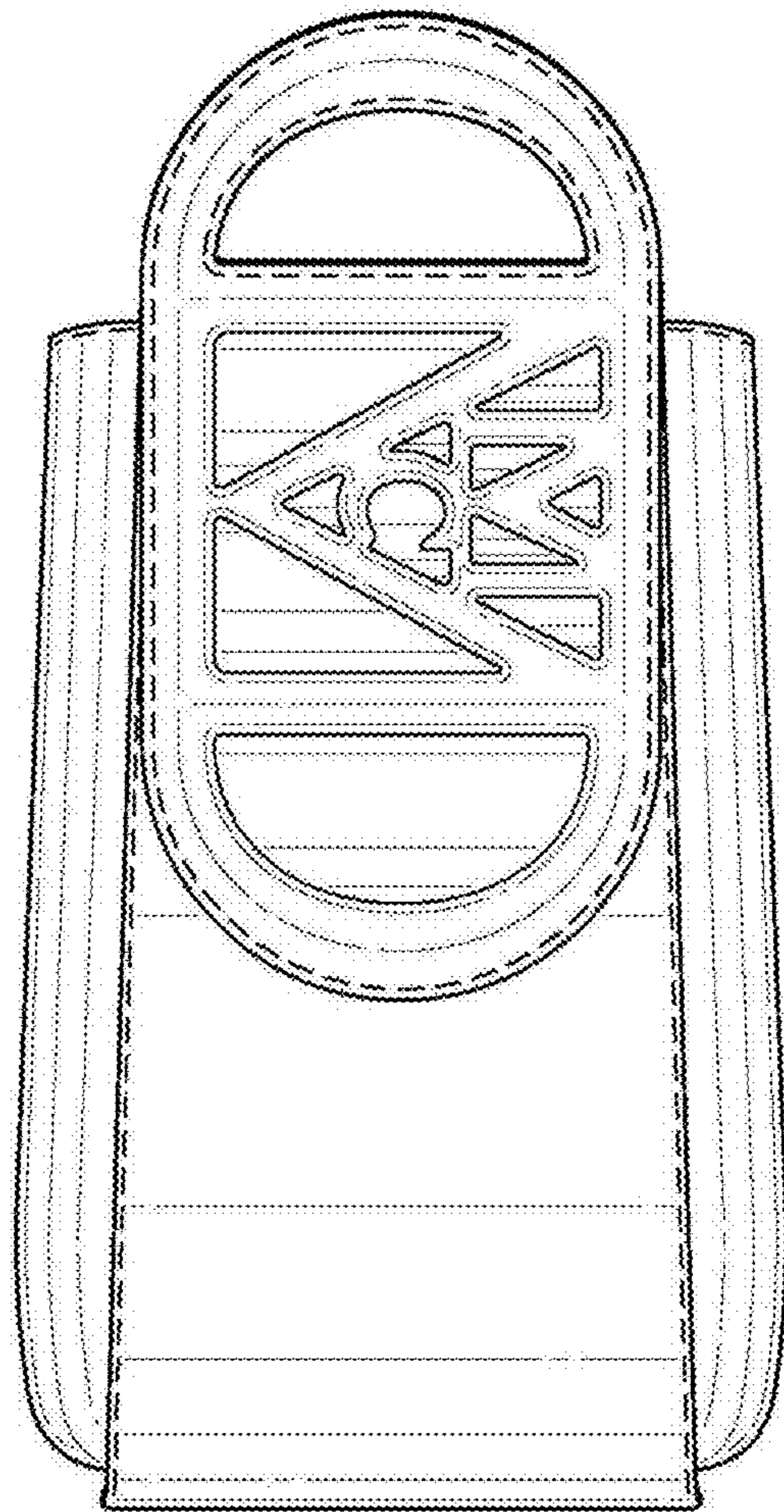
1.2



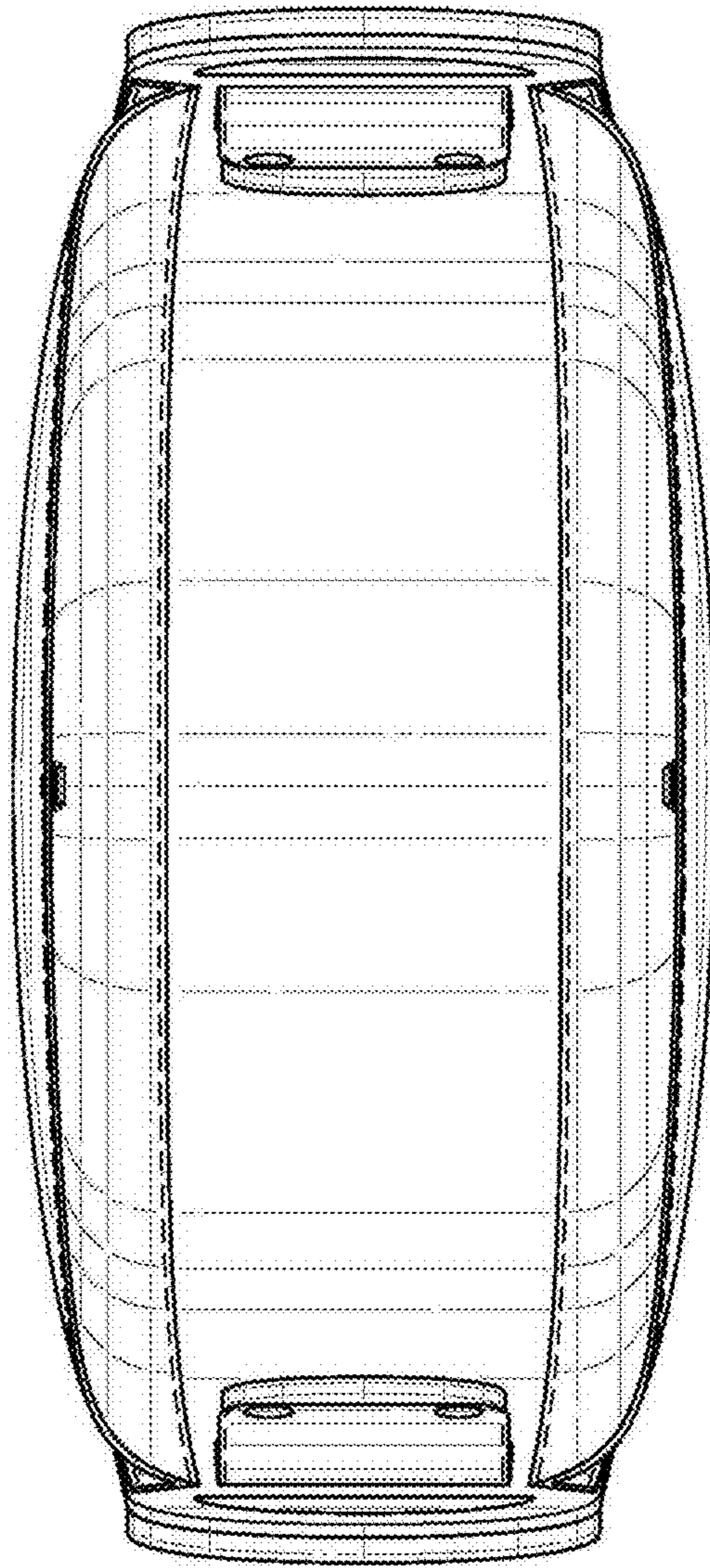
1.3



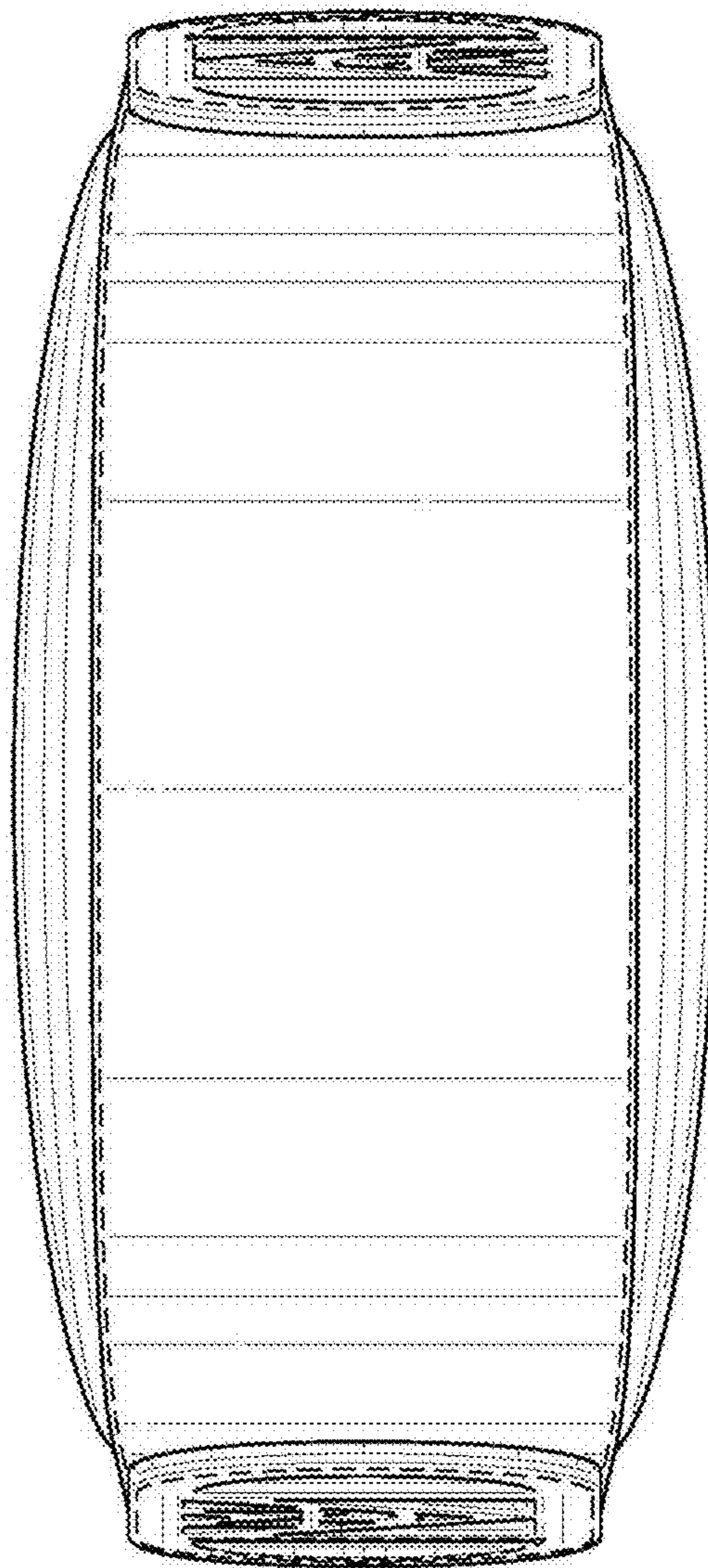
1.4



1.5

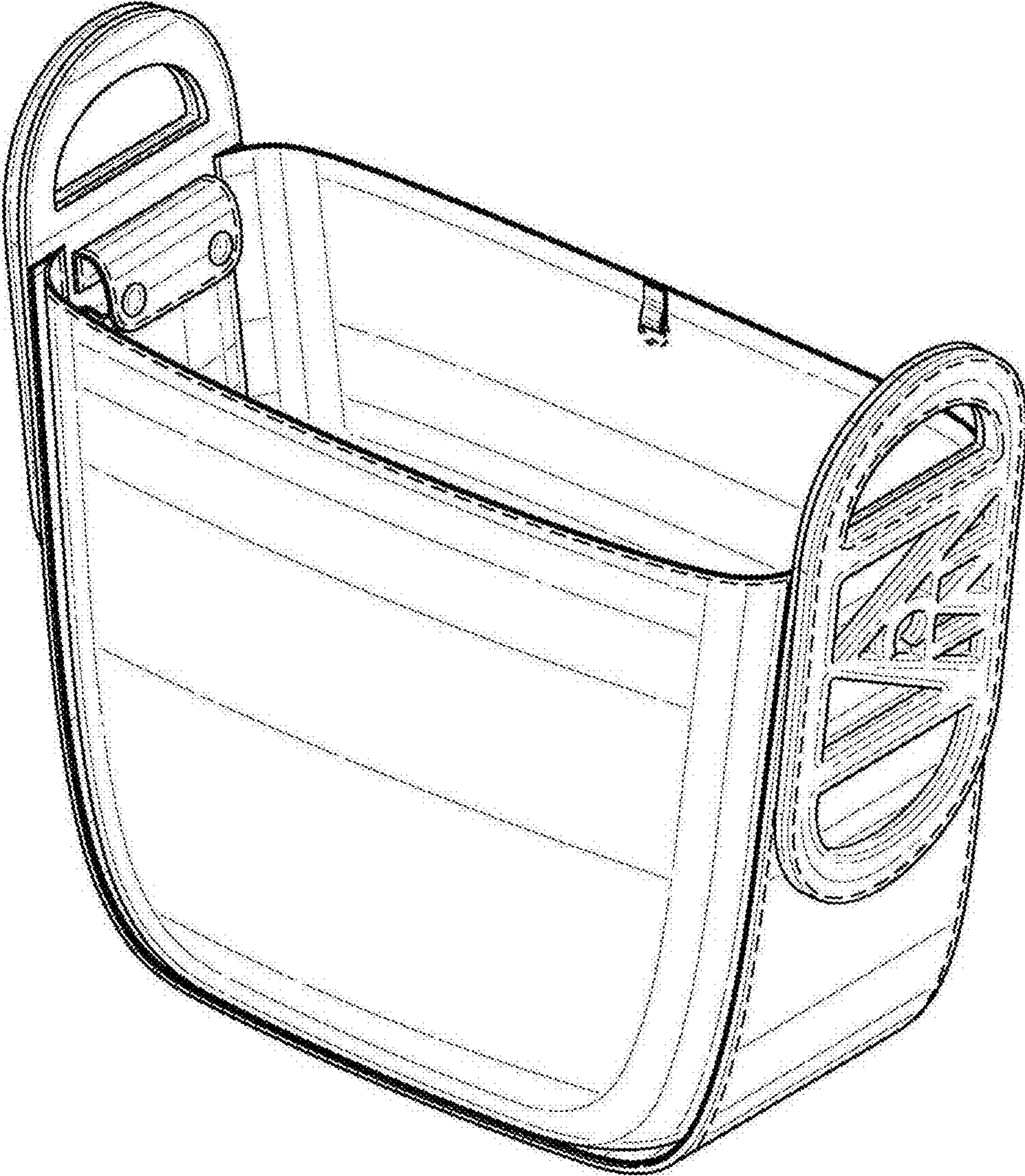


1.6

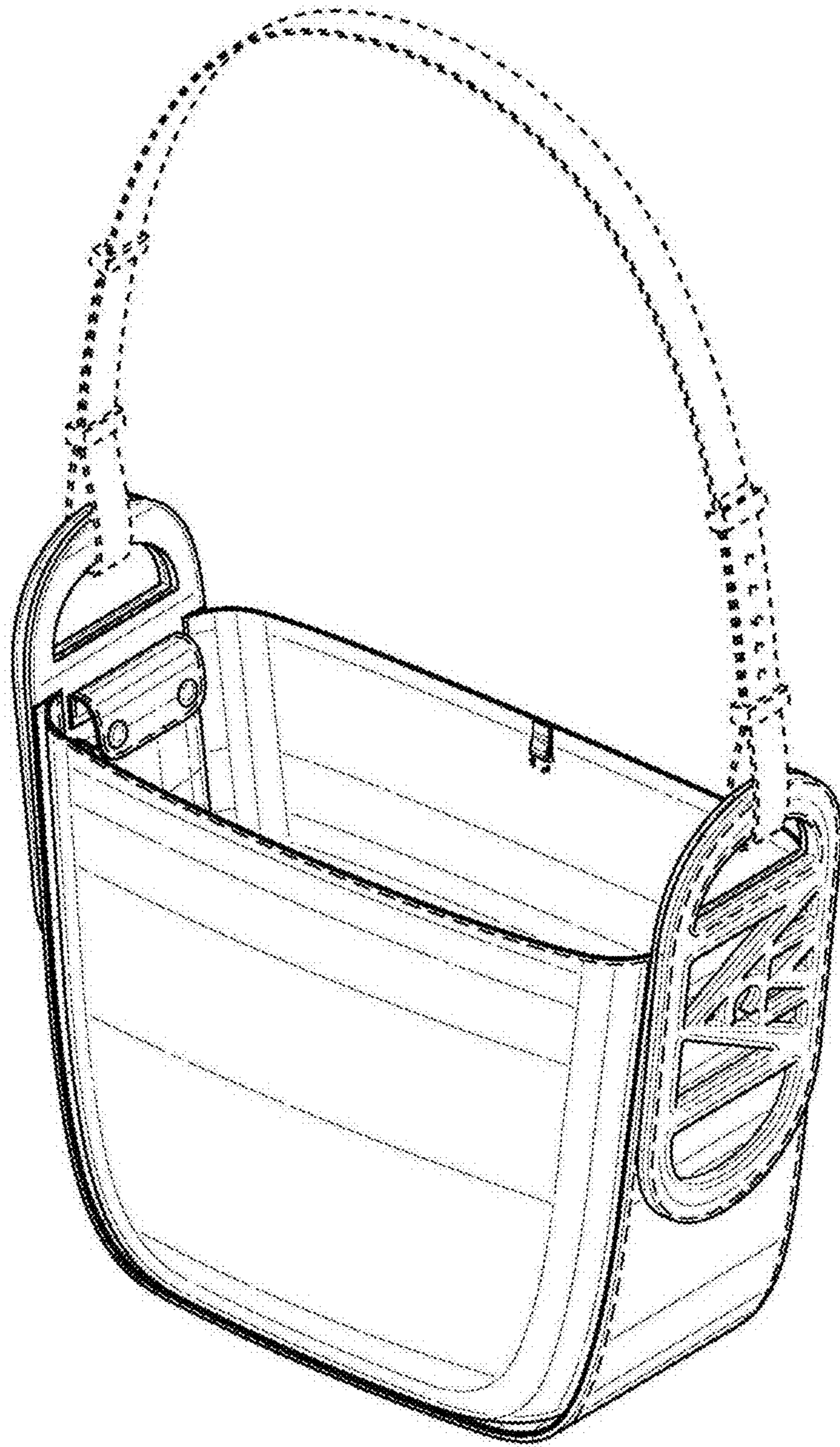




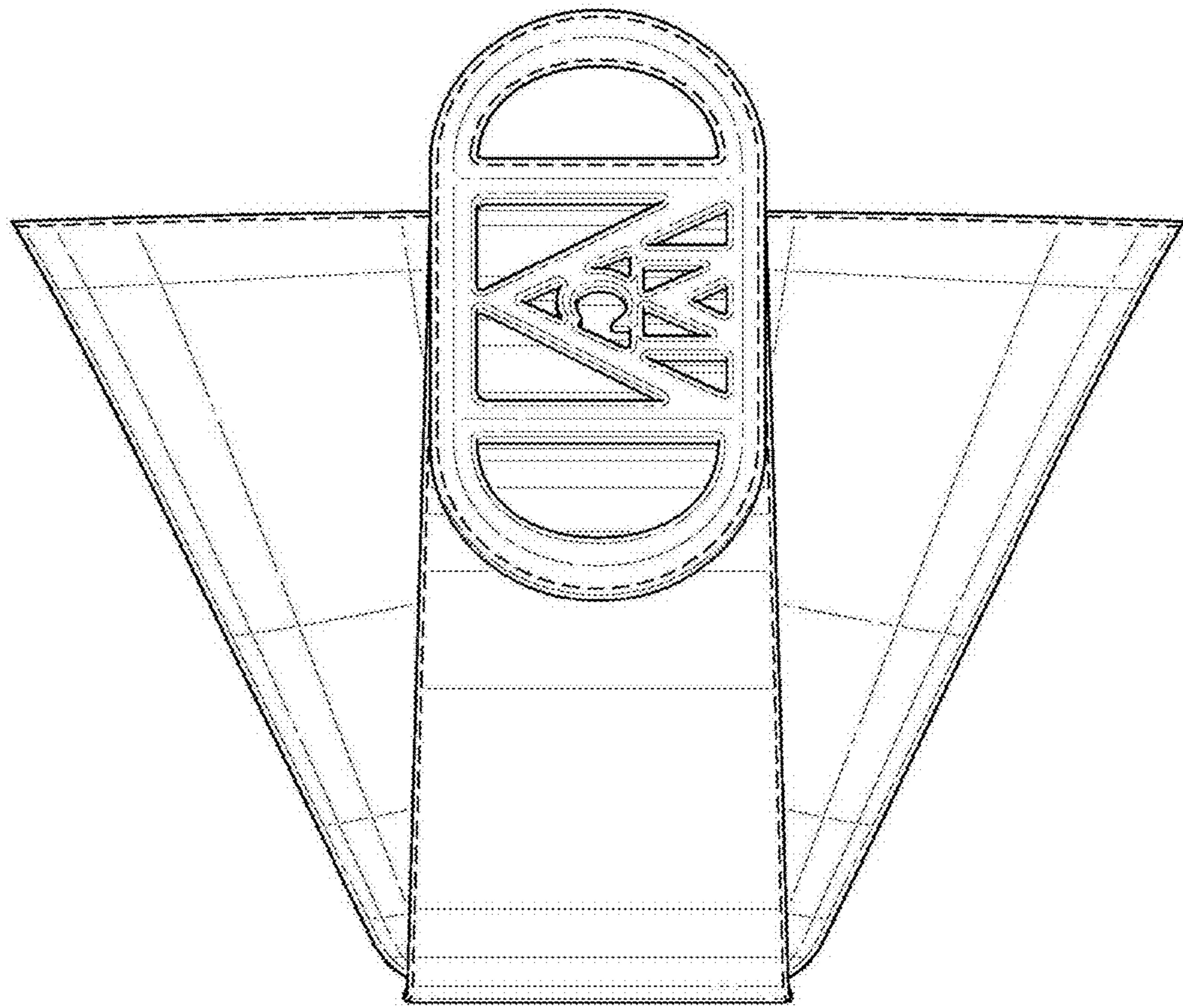
1.7



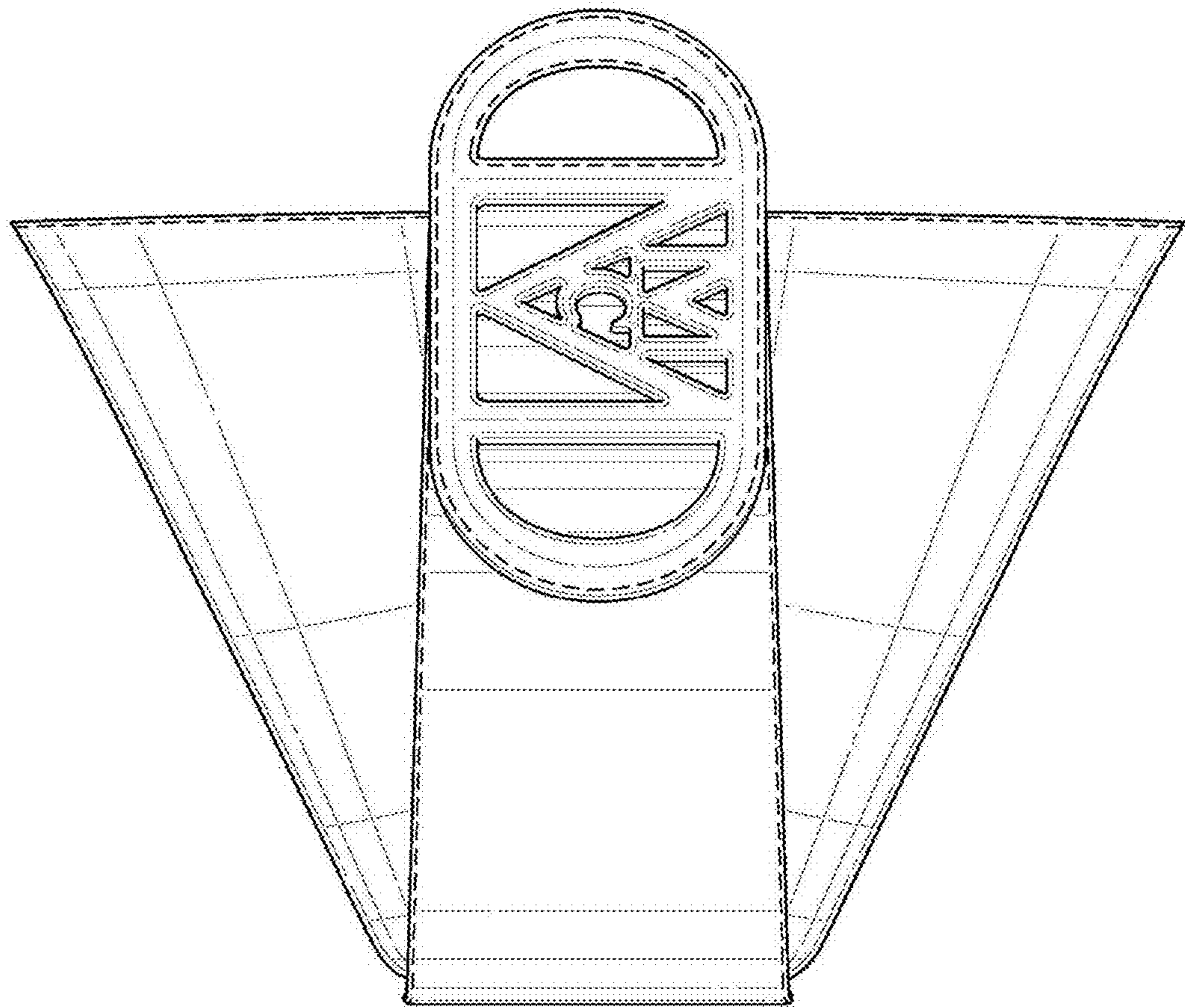
1.8



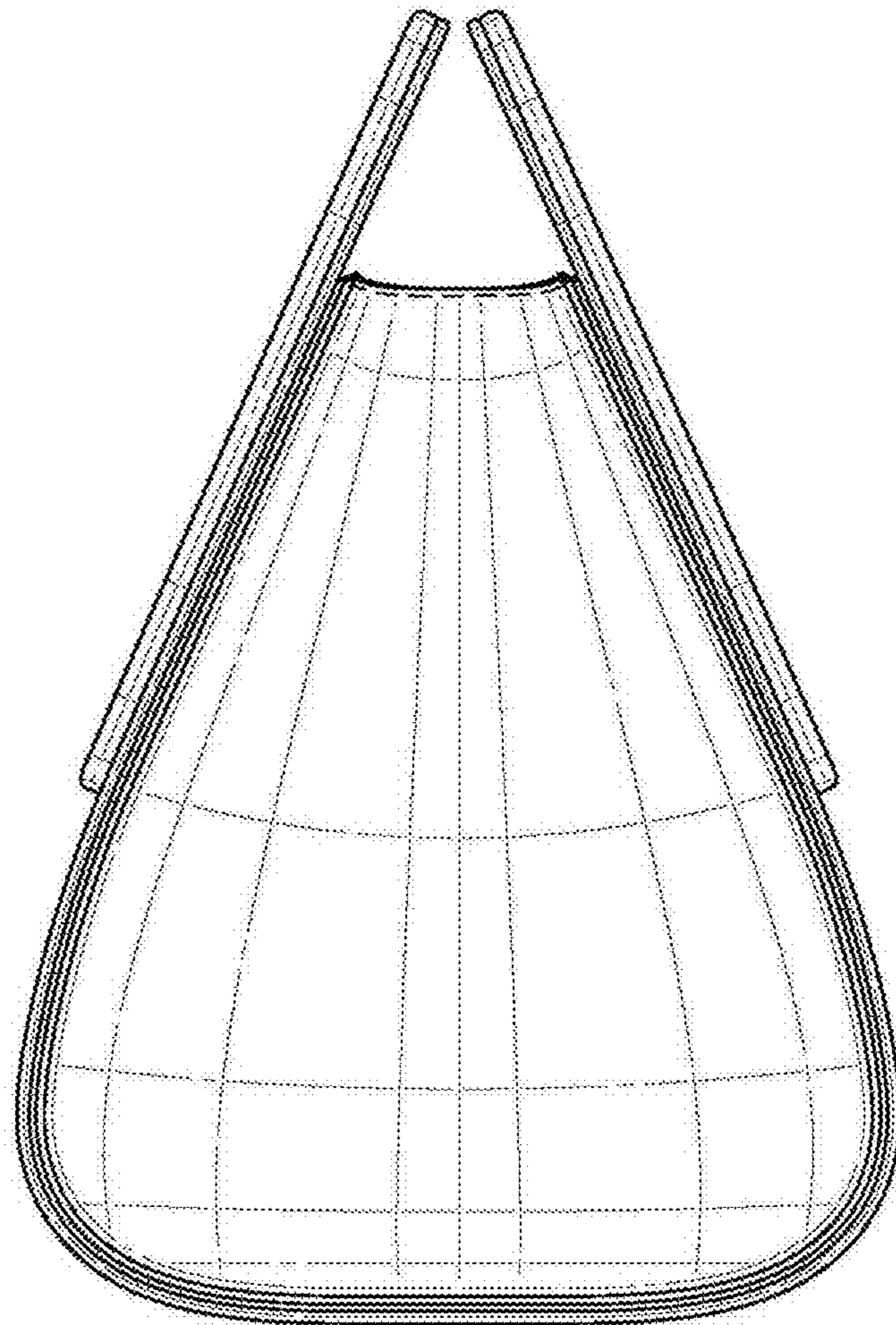
1.9



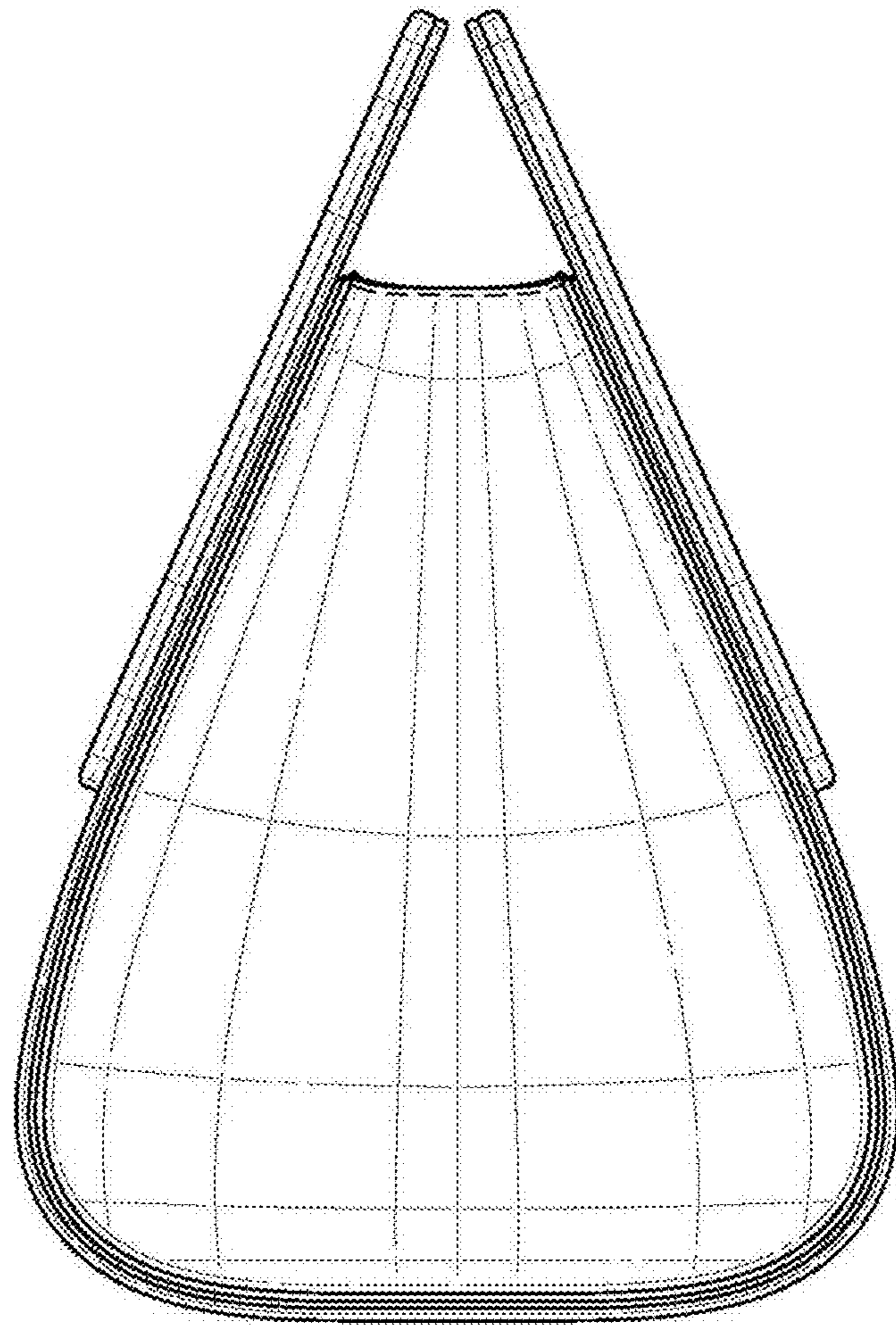
1.10



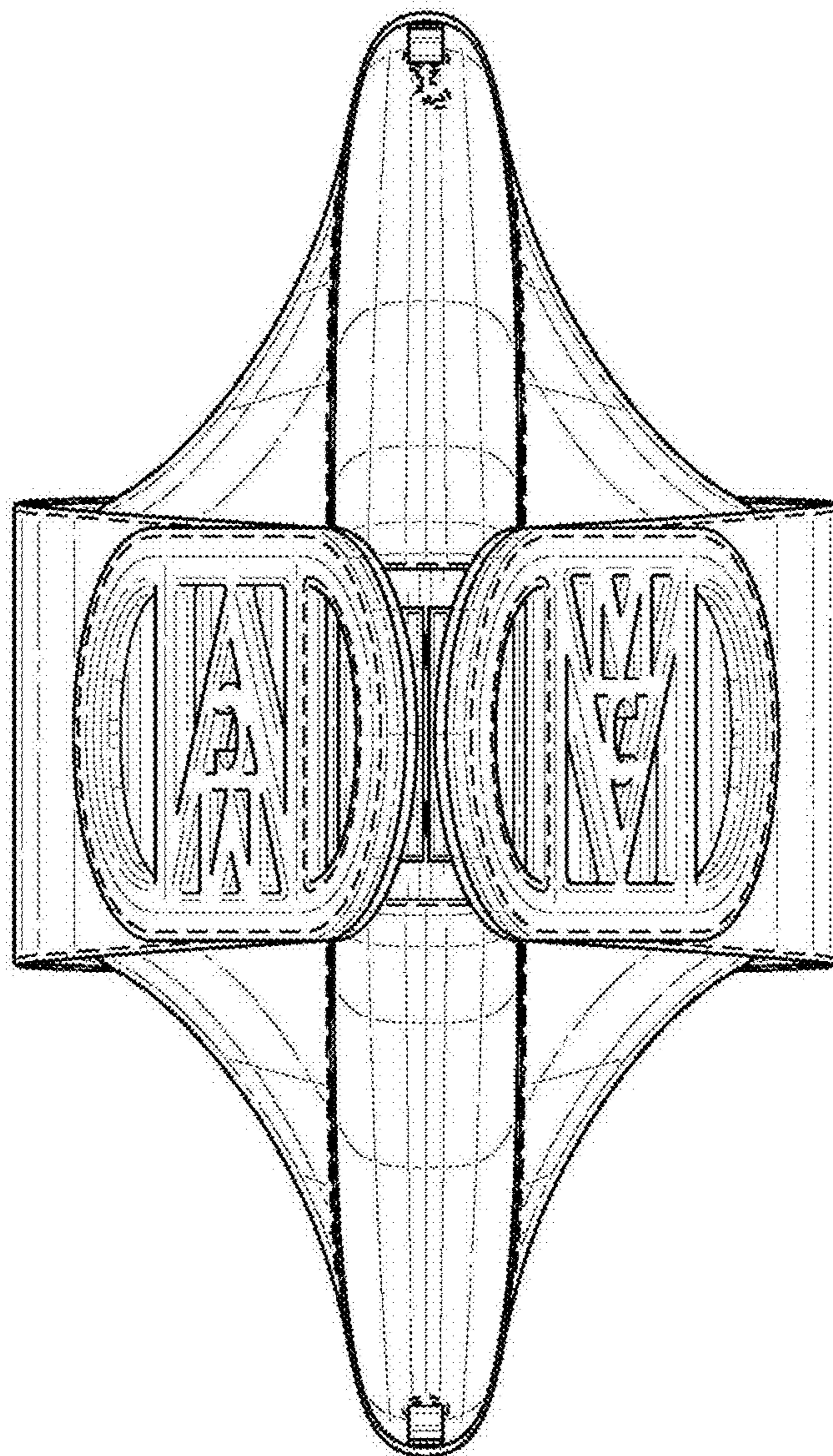
1.11



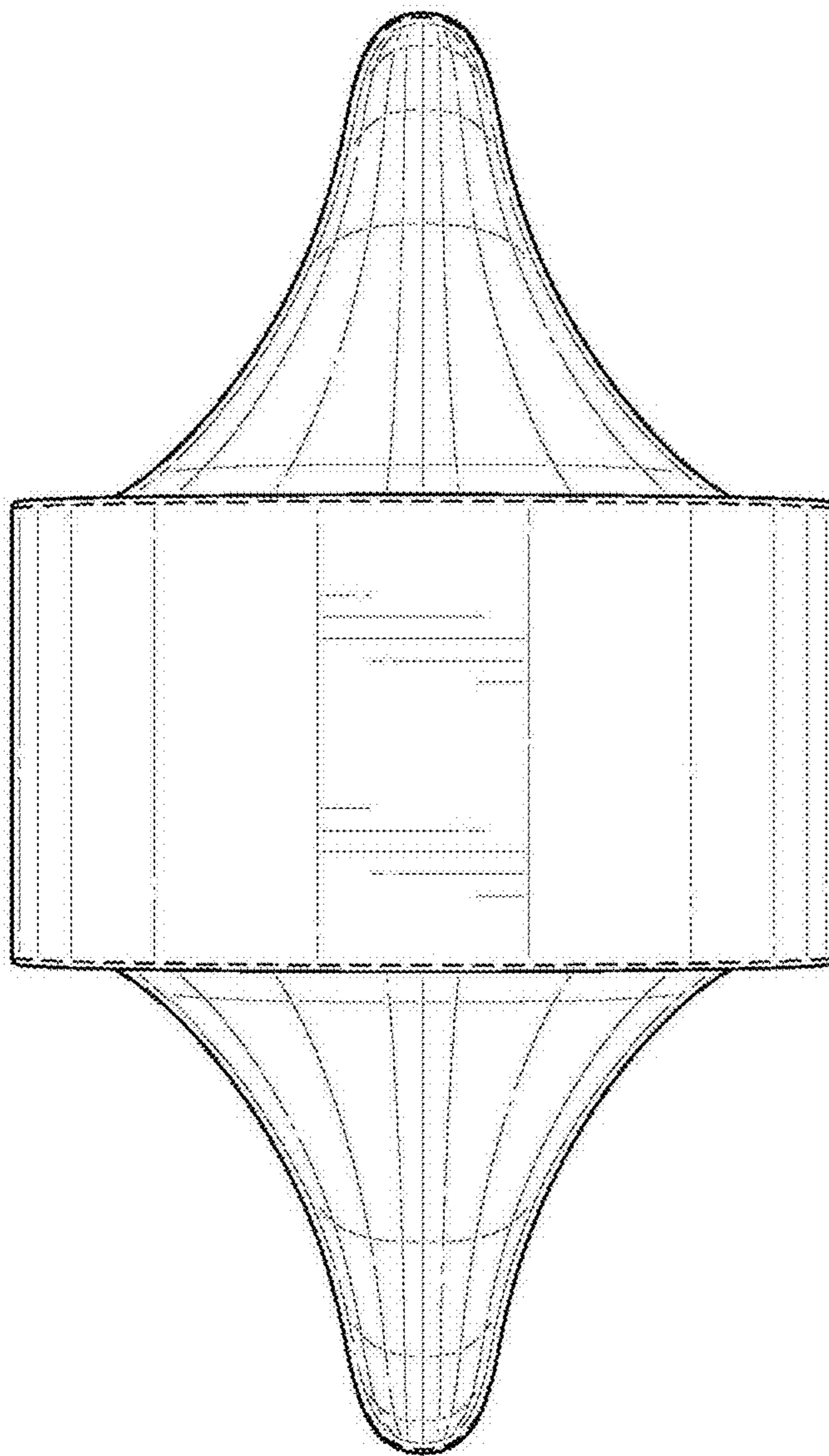
1.12



1.13

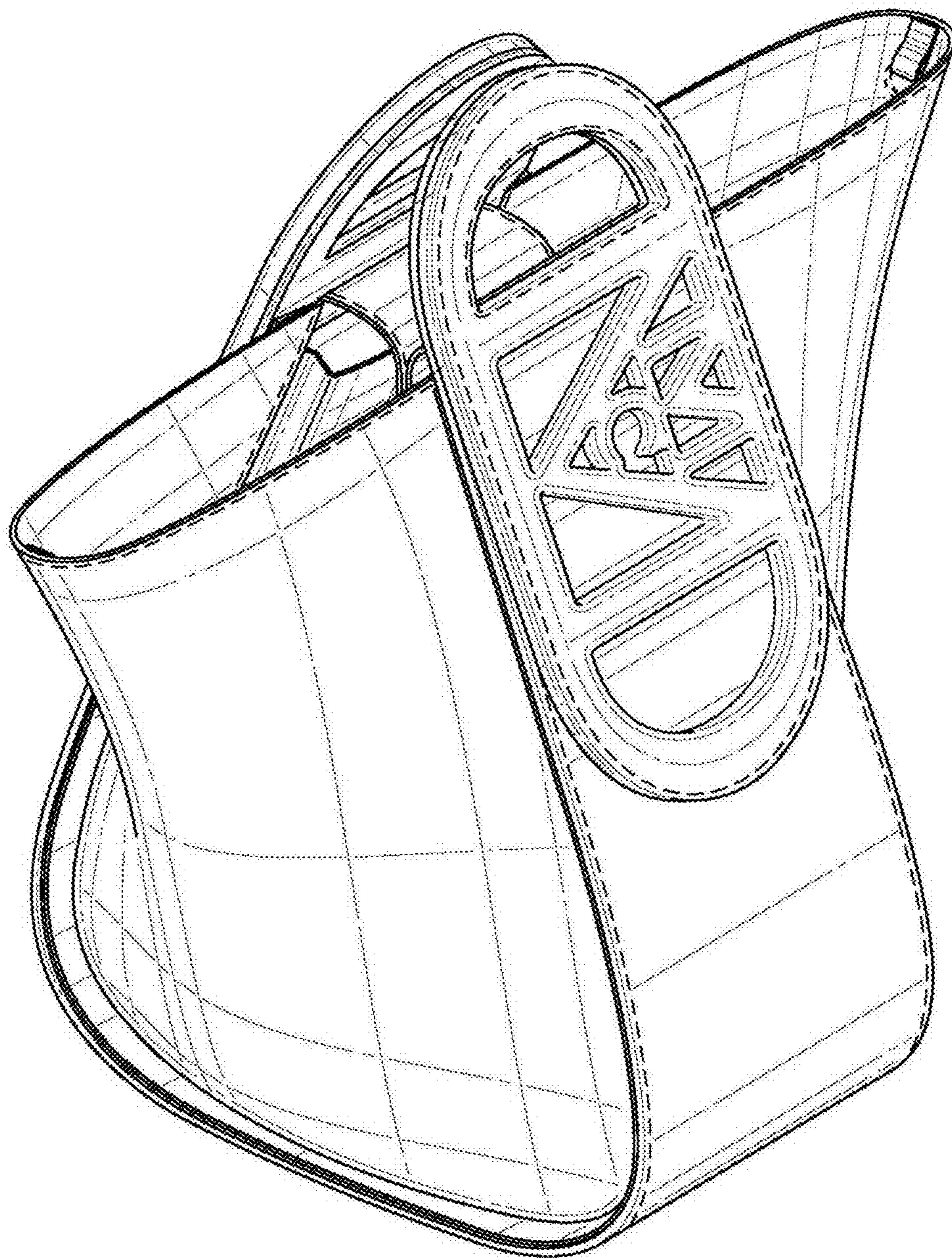


1.14

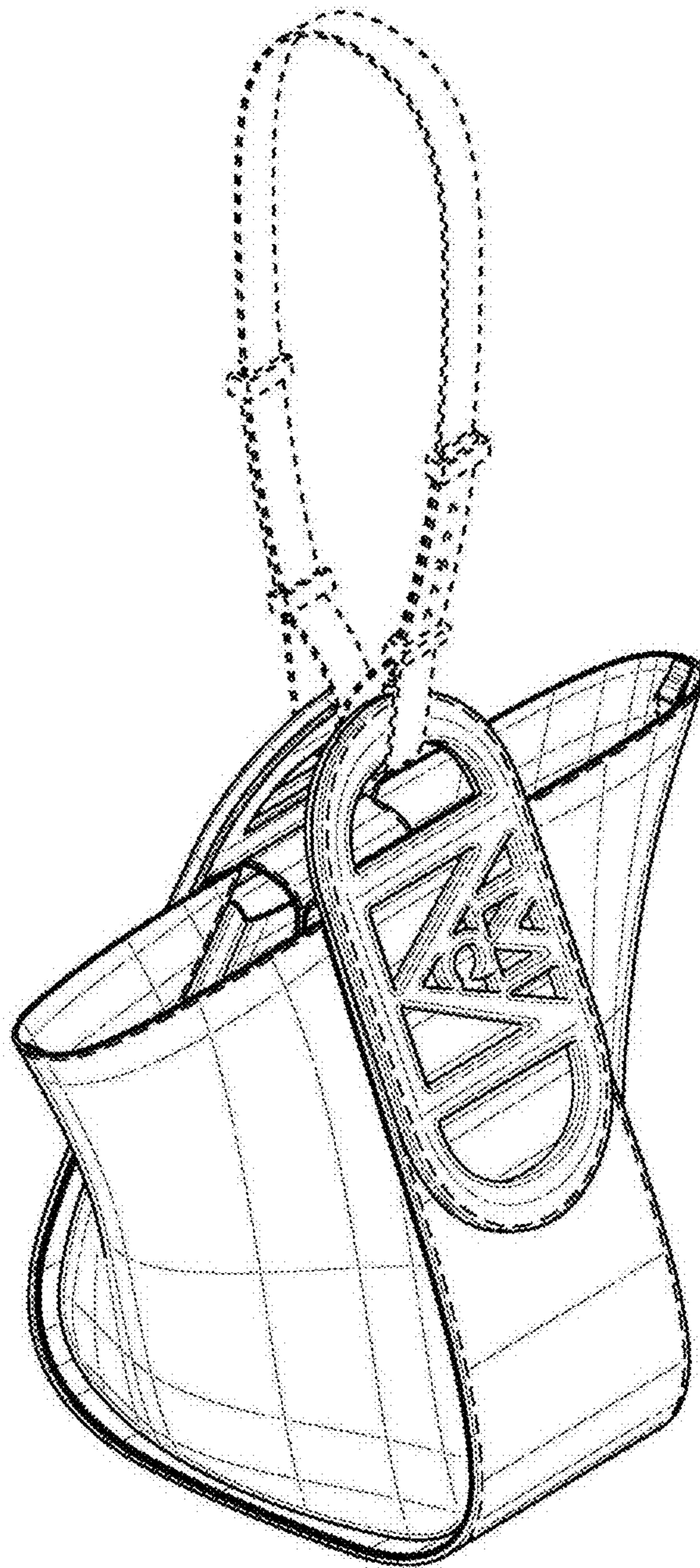




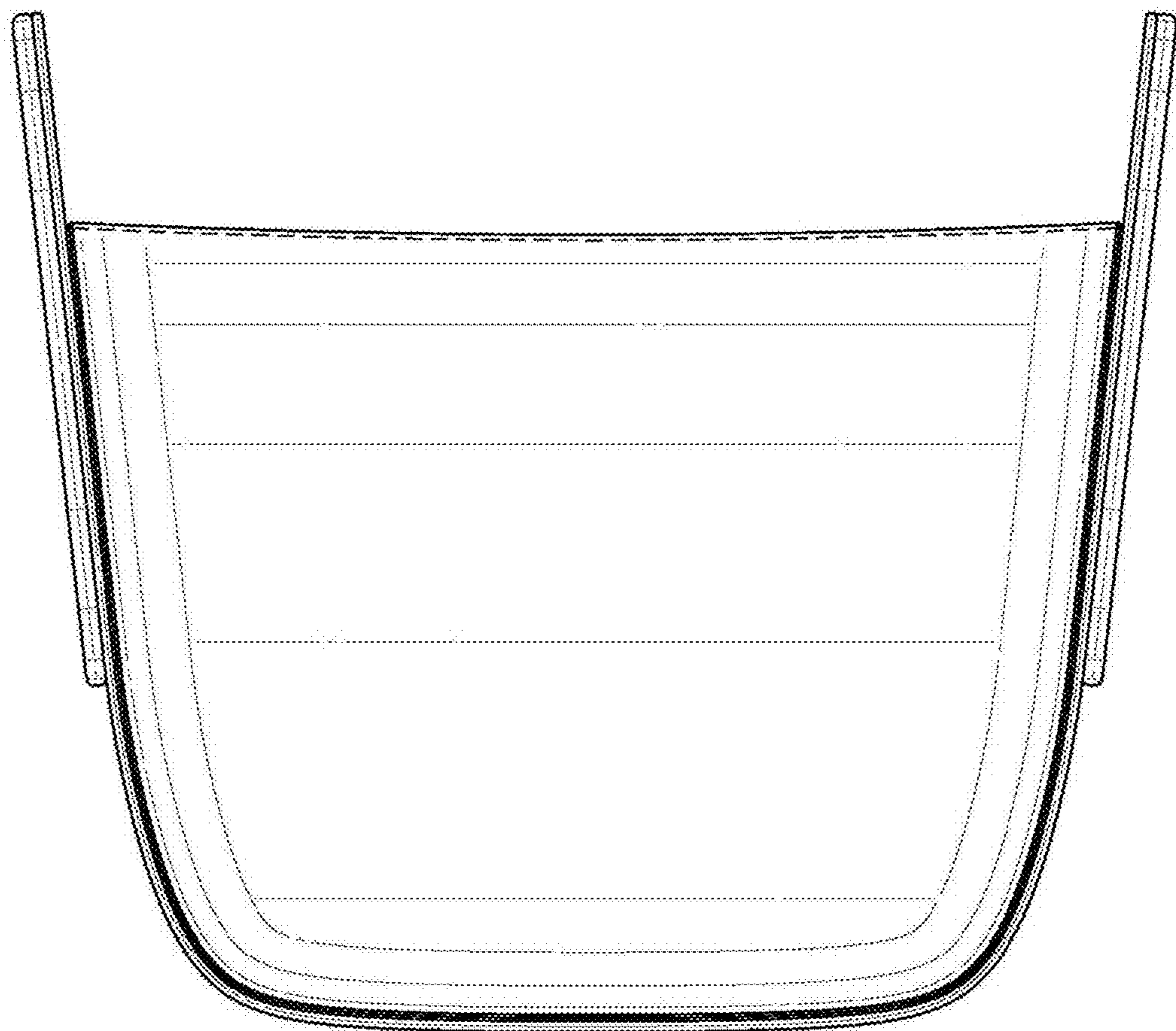
1.15



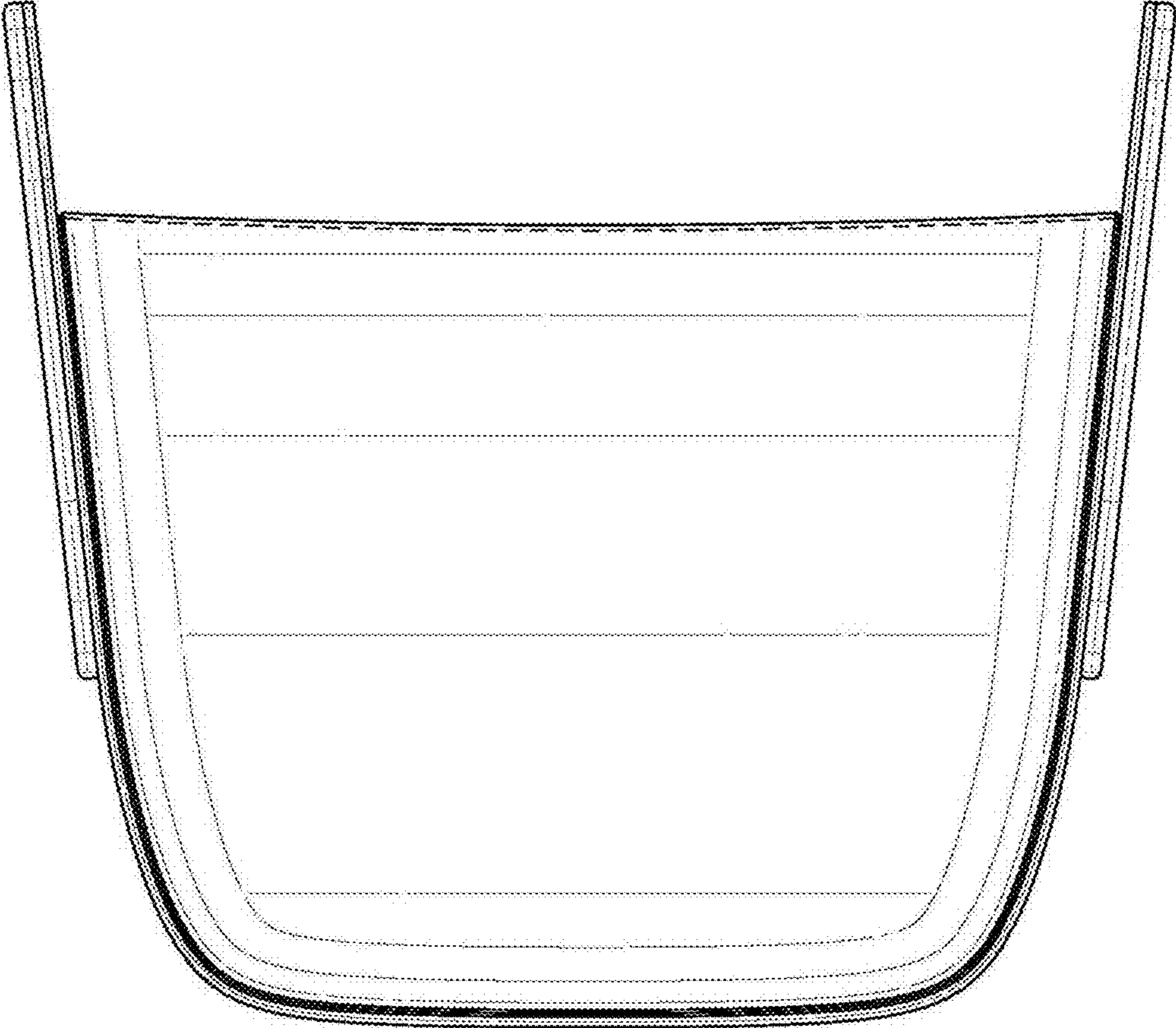
1.16



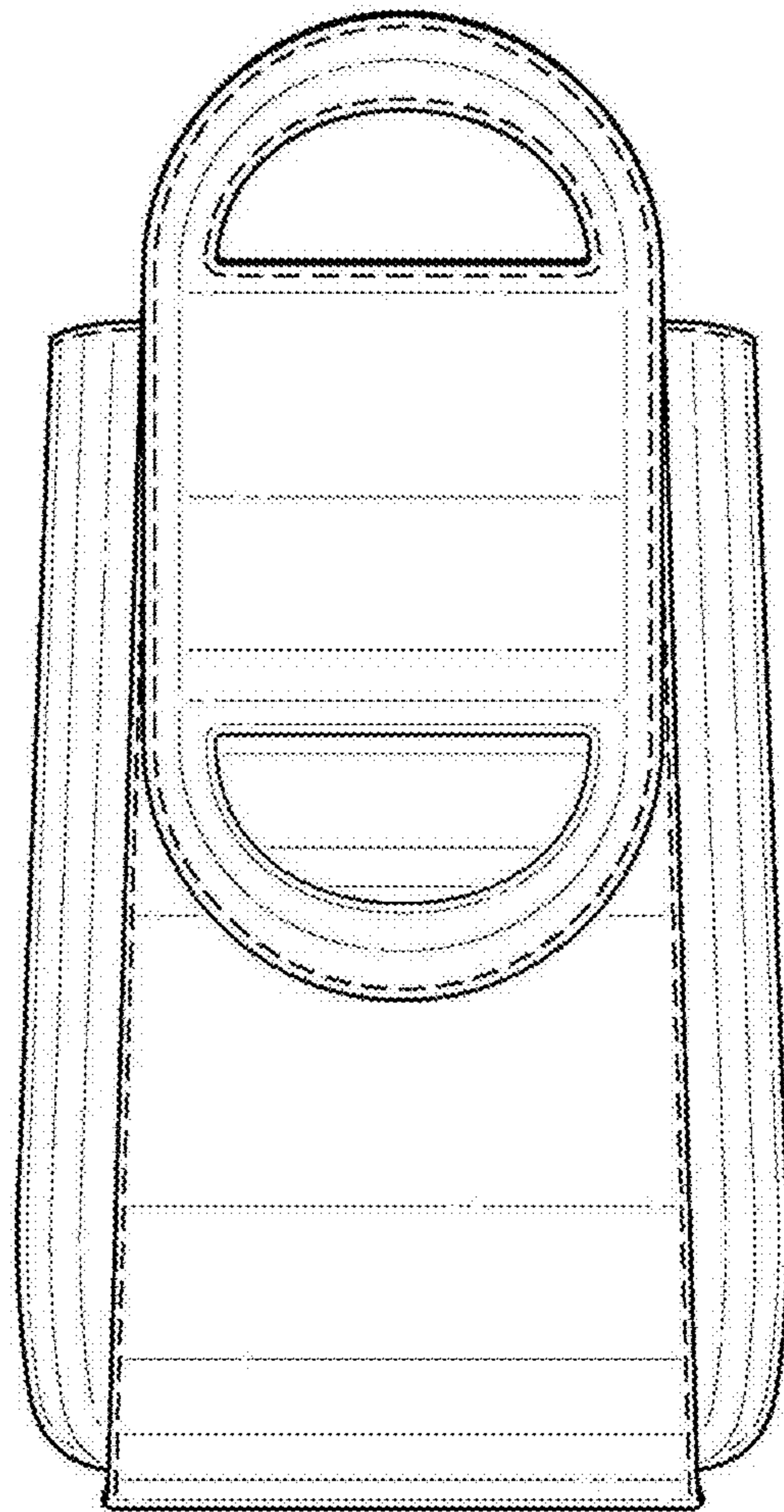
2.1



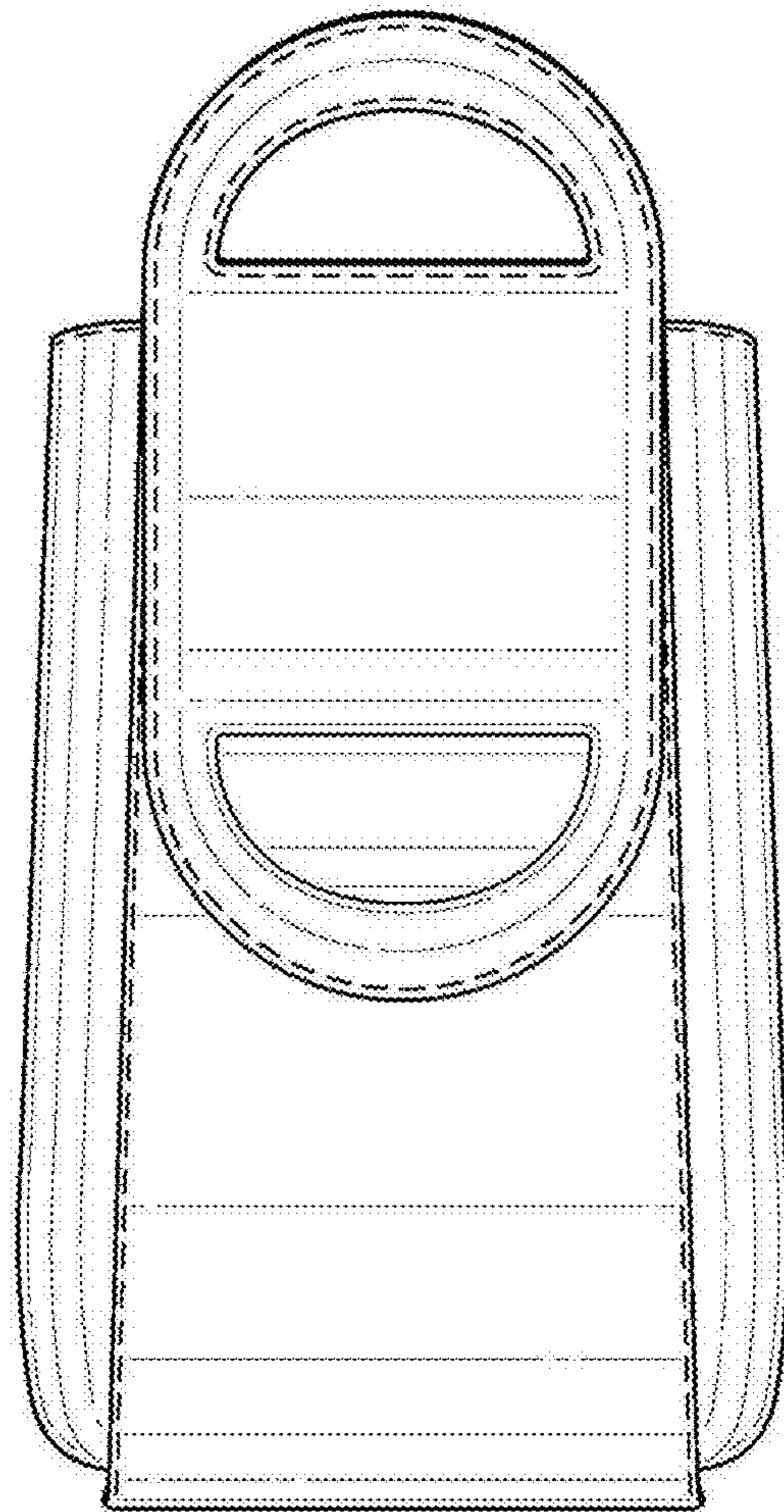
2.2



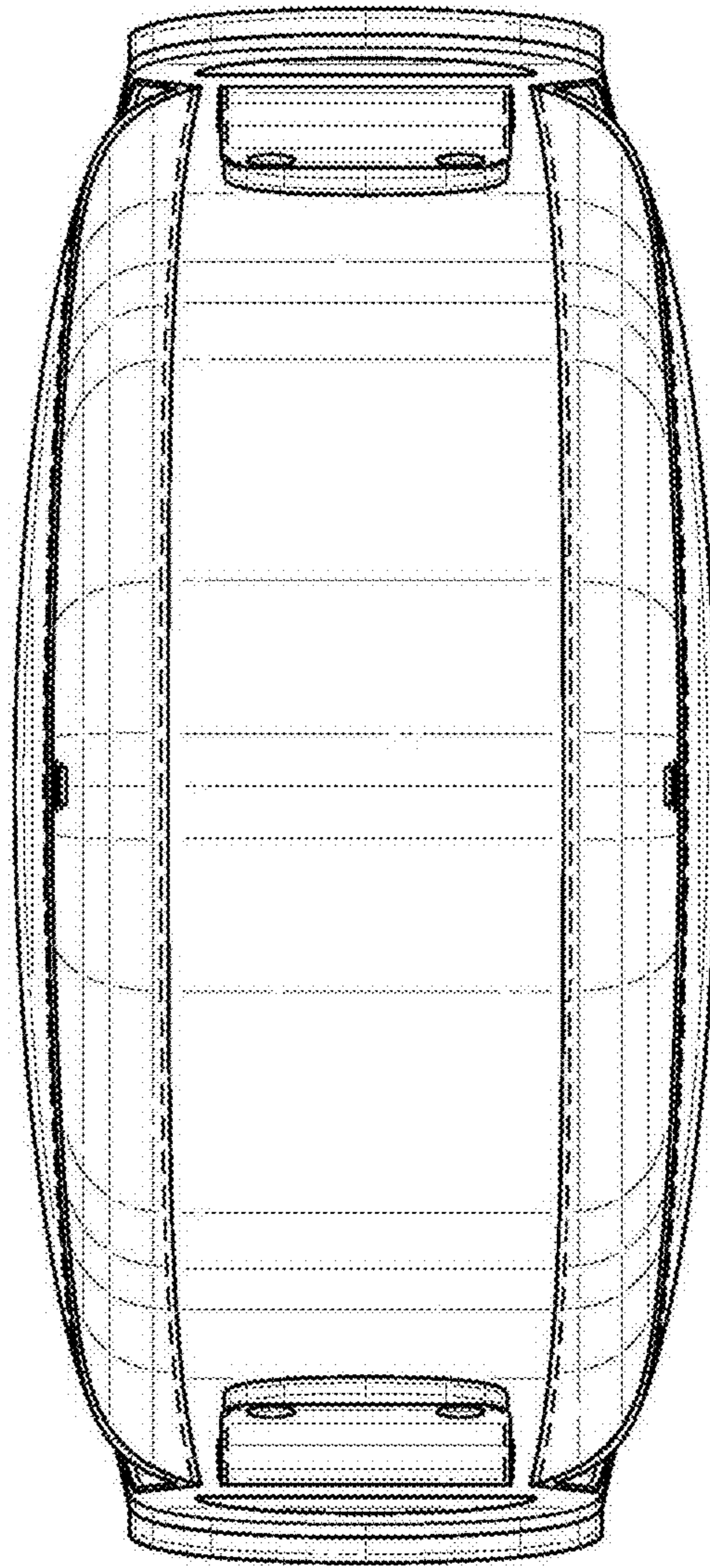
2.3



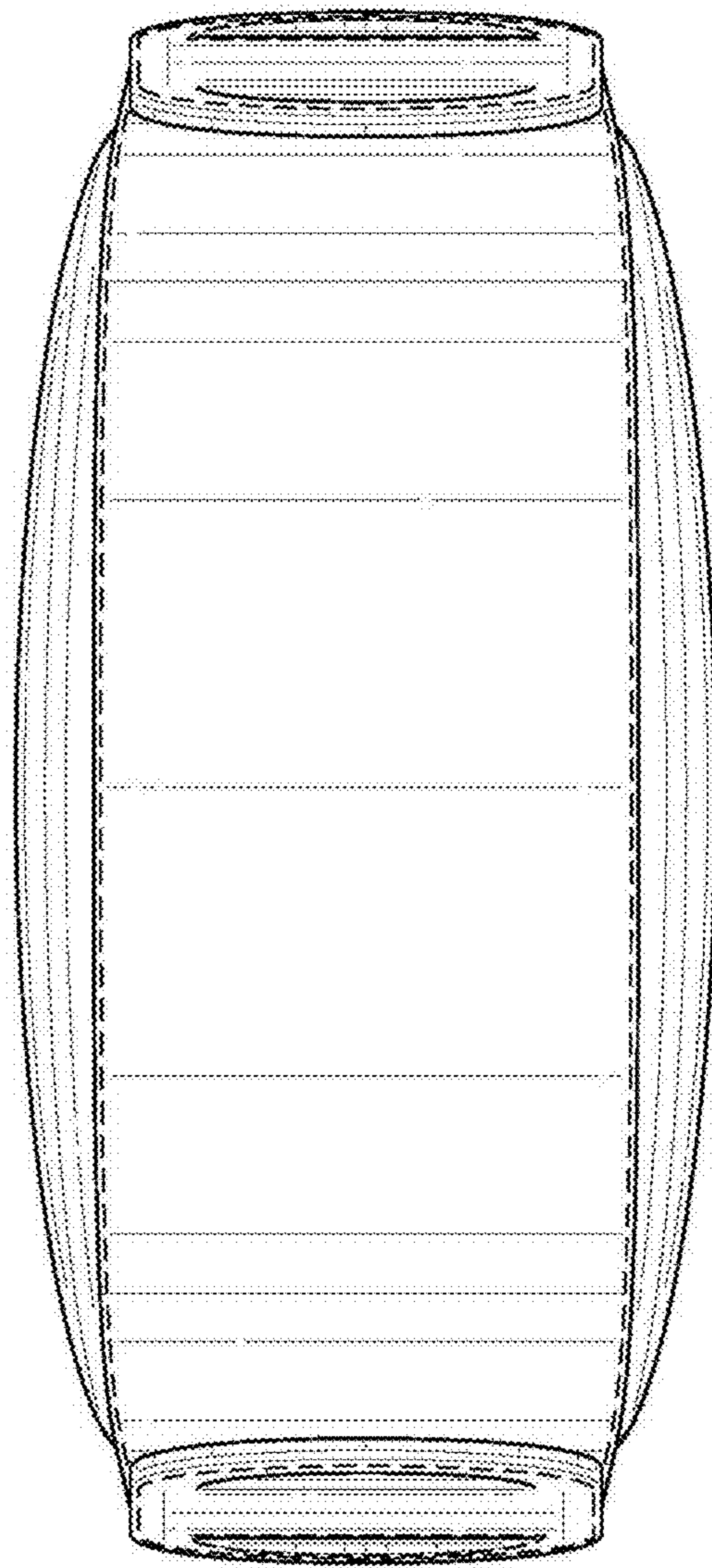
2.4



2.5

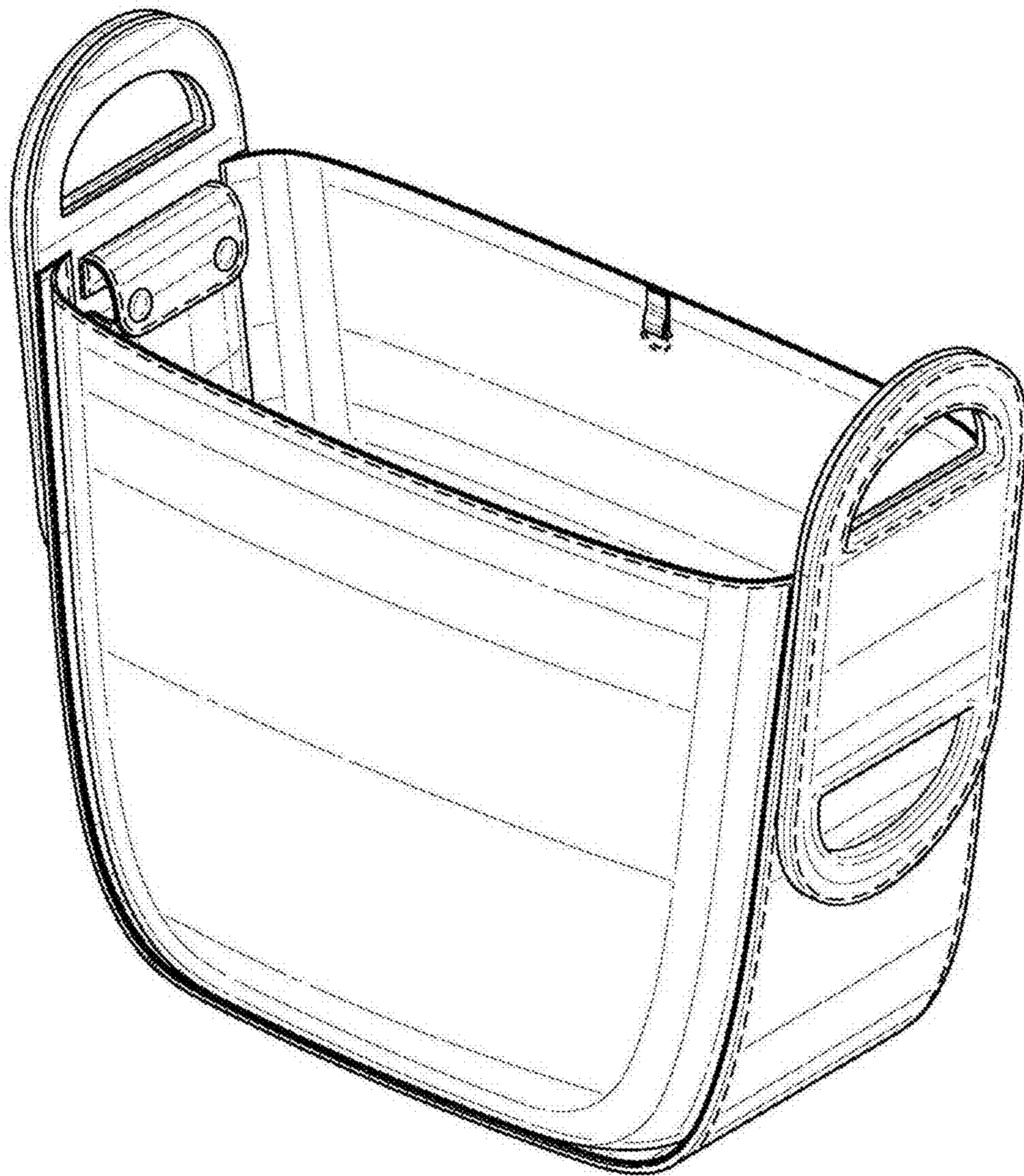


2.6

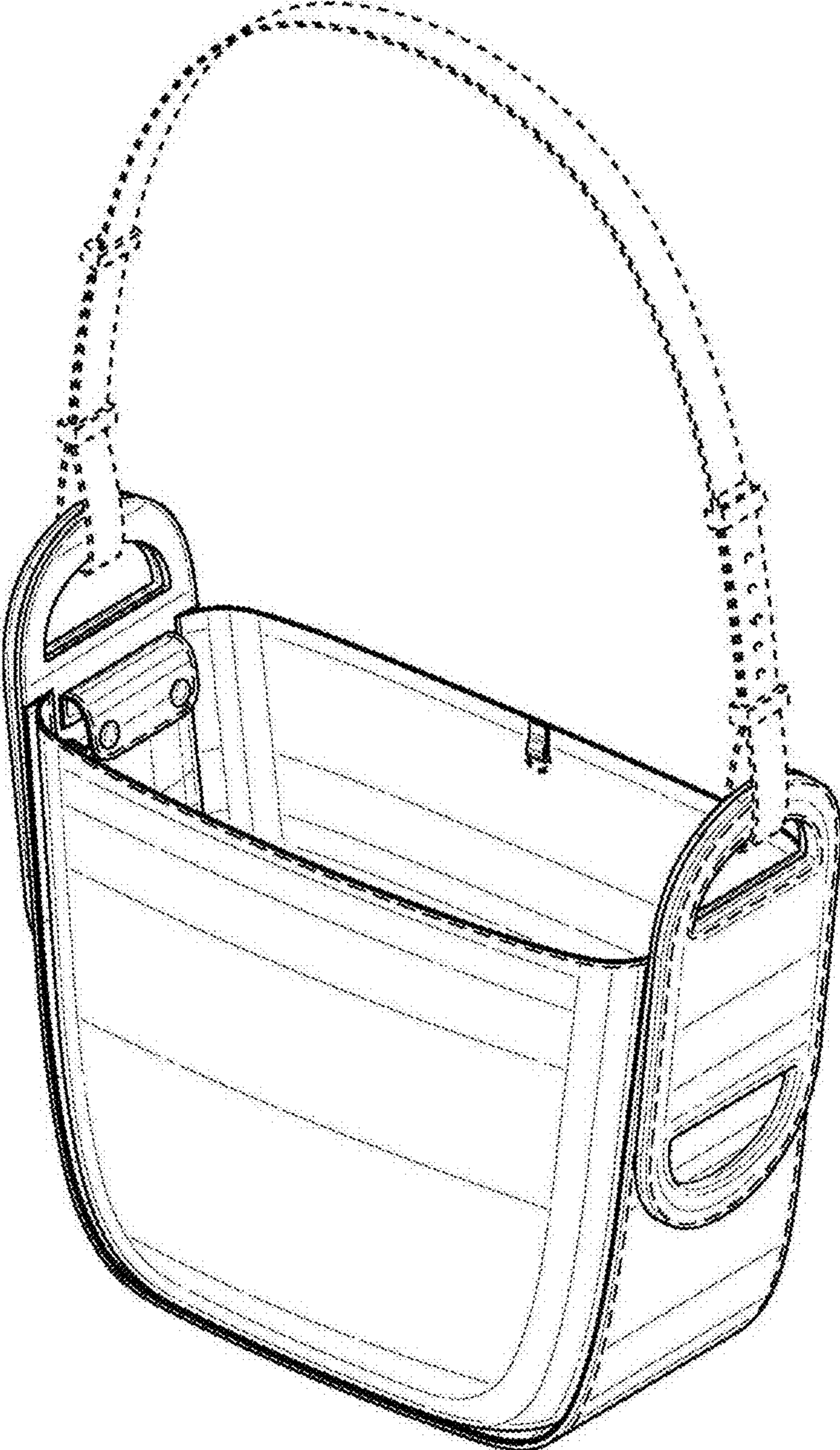




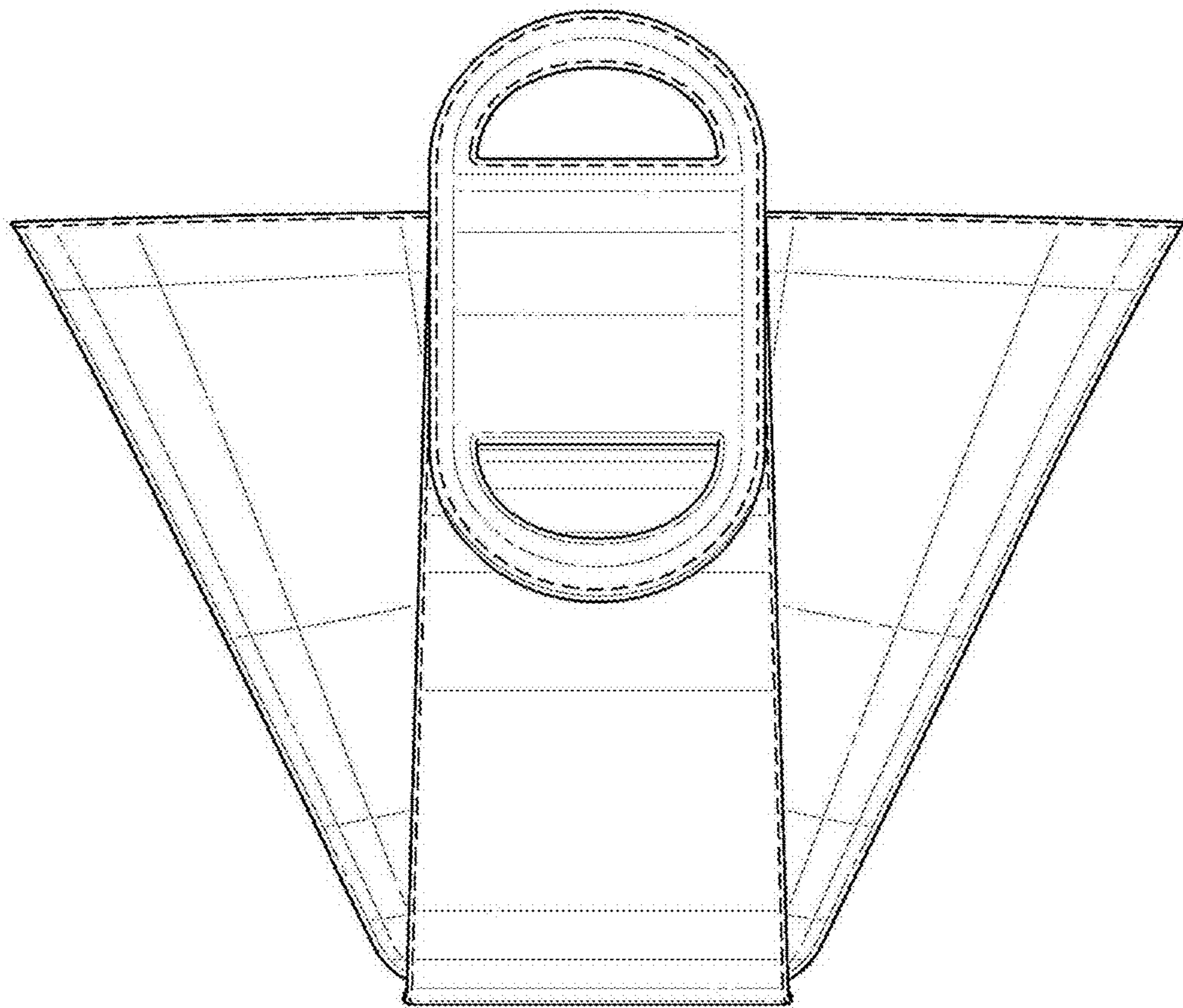
2.7



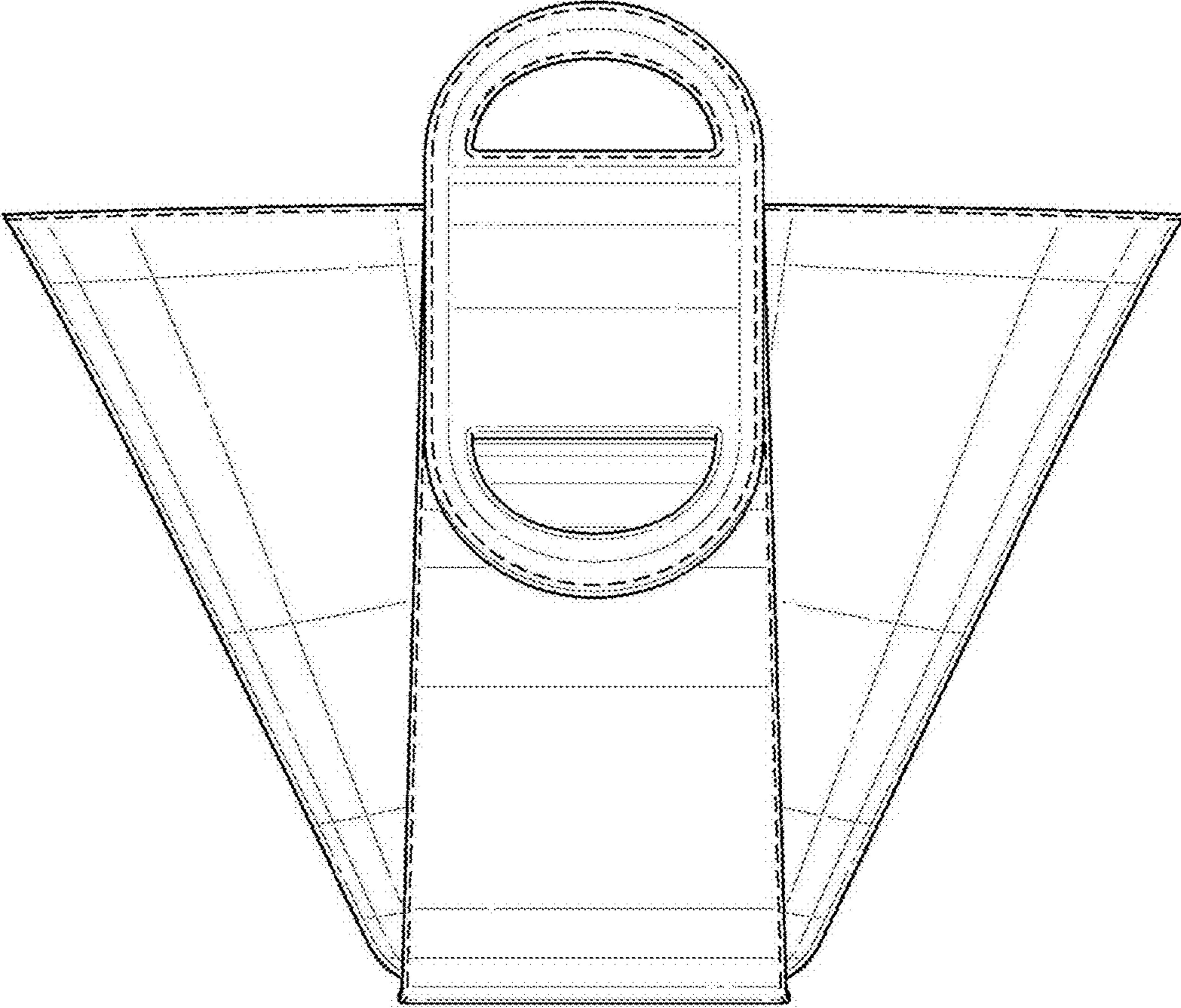
2.8



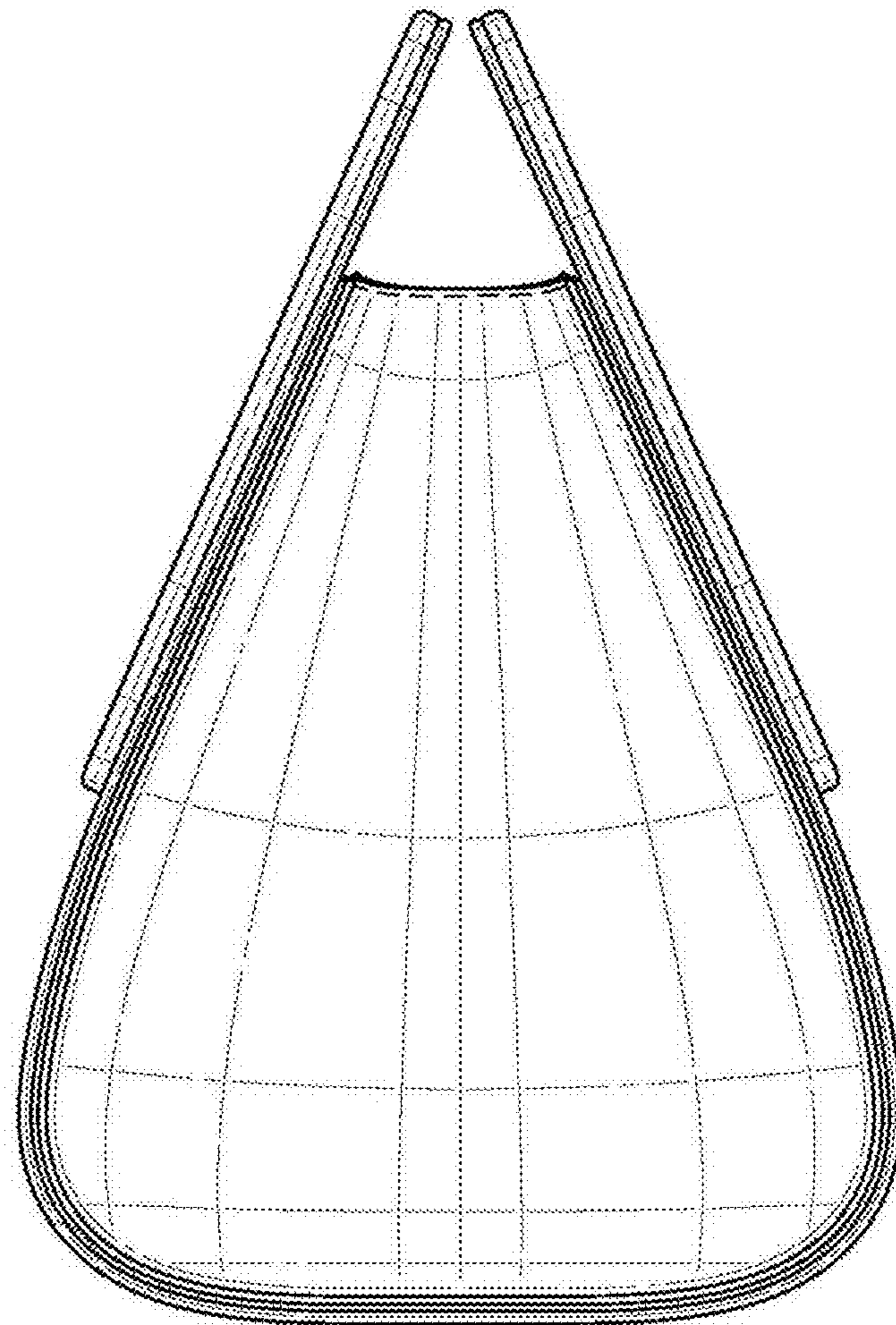
2.9



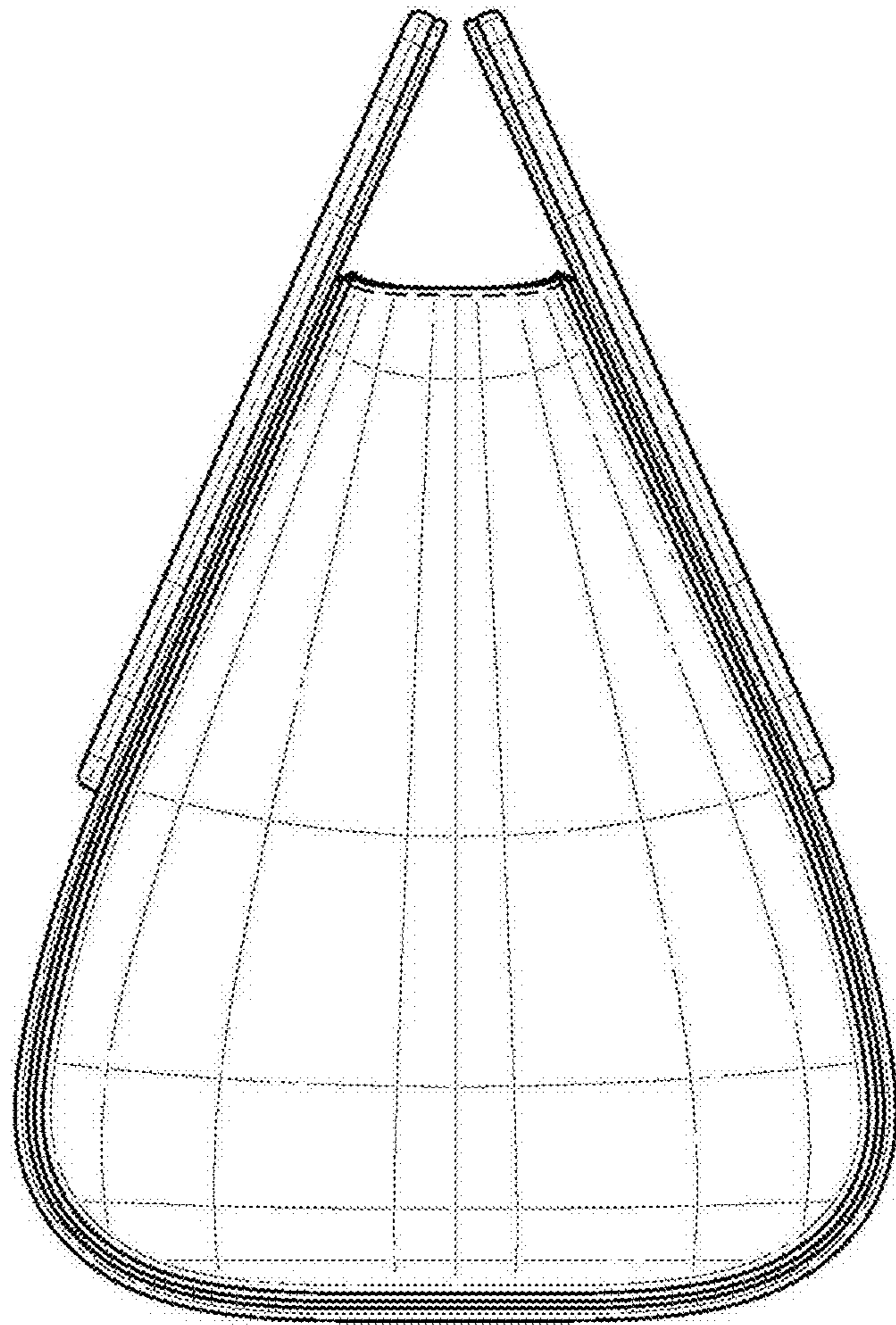
2.10



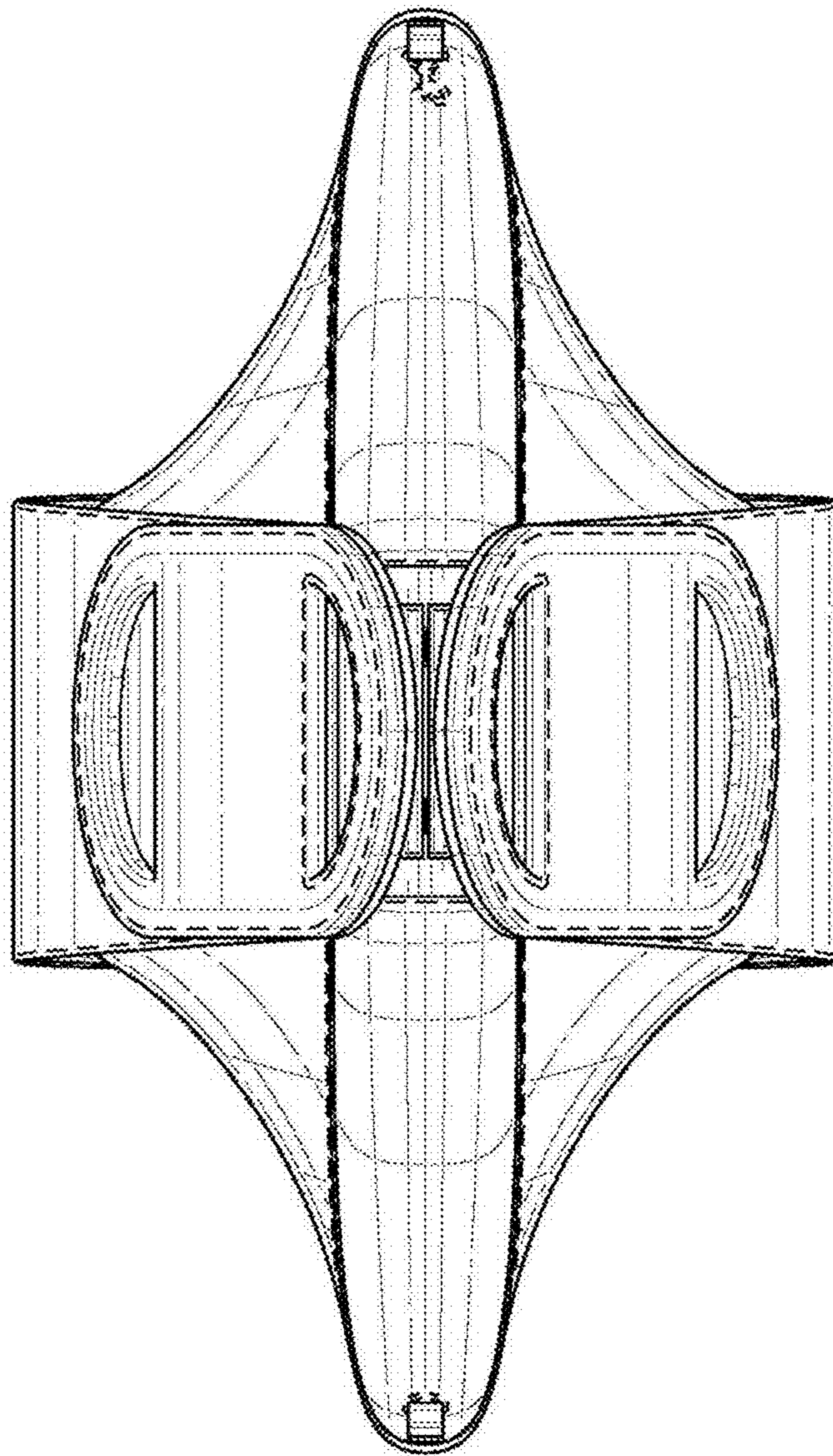
2.11



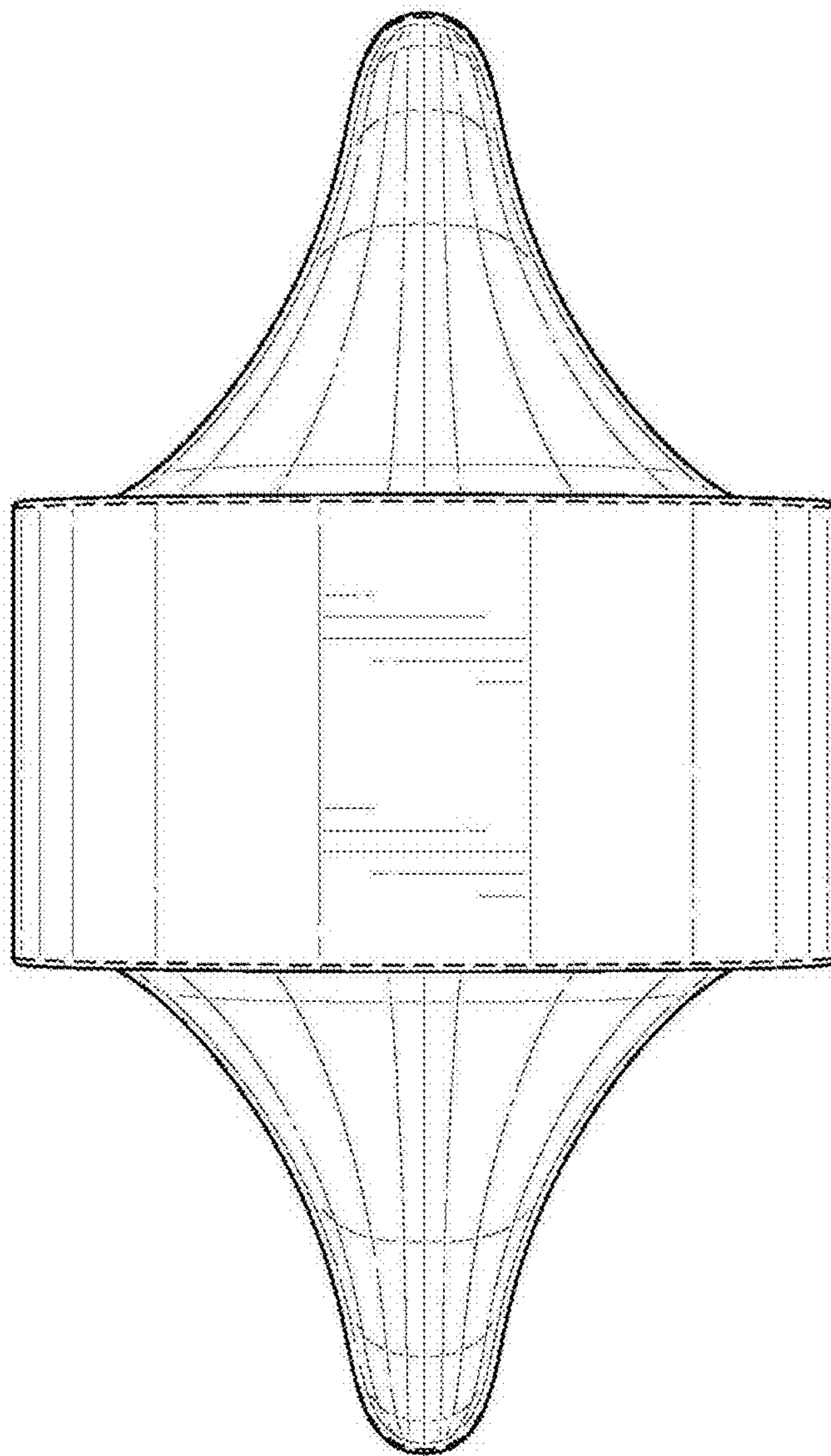
2.12



2.13

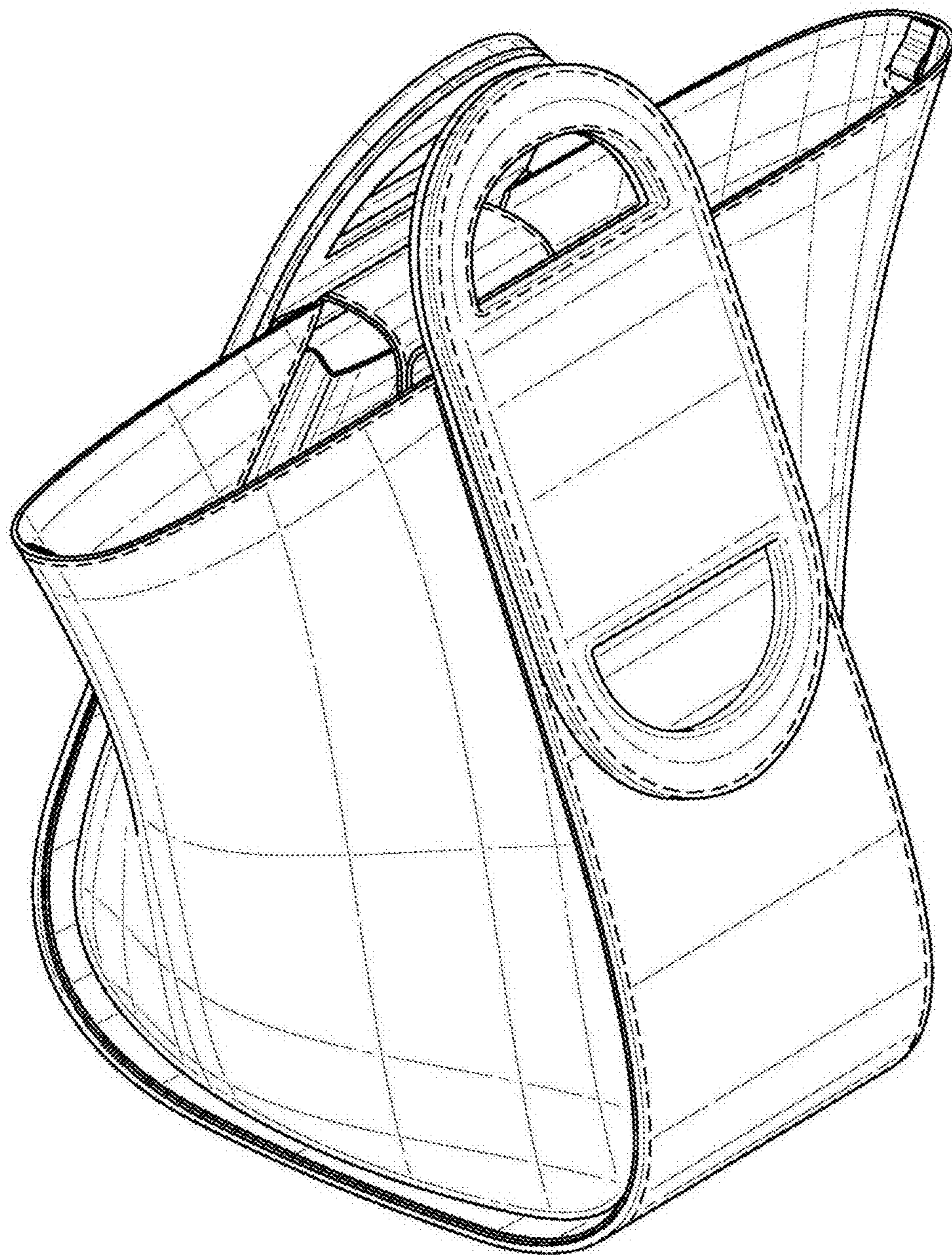


2.14





2.15



2.16

