



US00D972290S

(12) **United States Design Patent**
Taylor

(10) **Patent No.:** **US D972,290 S**
(45) **Date of Patent:** **** Dec. 13, 2022**

(54) **FLAT BAG WITH BOTTLE HOLDER**

(71) Applicant: **Michael S. Taylor**, Chino, CA (US)

(72) Inventor: **Michael S. Taylor**, Chino, CA (US)

(**) Term: **15 Years**

(21) Appl. No.: **29/652,637**

(22) Filed: **Oct. 13, 2020**

(51) **LOC (13) Cl.** **03-01**

(52) **U.S. Cl.**

USPC **D3/226**; D3/215; D12/416

(58) **Field of Classification Search**

USPC D3/201, 202, 203.1, 215, 216, 221, 226,
D3/323, 327, 224, 10-13, 218, 229, 246,
D3/287, 315, 299, 300, 303; D8/394,
D8/395, 396; D7/605-607, 387, 396,
D7/622, 300, 301, 507, 511, 533, 608,
D7/616, 701, 709; D11/3; D22/147;
D9/455; D6/514; D12/415, 416, 419,
D12/422

CPC A44C 5/18; A45F 5/00; A45B 3/00; A45B
5/00

See application file for complete search history.

(56) **References Cited**

U.S. PATENT DOCUMENTS

- 2,682,981 A * 7/1954 Previdi A63B 57/00
224/675
- D312,349 S * 11/1990 Pogue D12/416
- D333,570 S * 3/1993 Murray D3/226
- D351,279 S * 10/1994 Montgomery D2/639
- D430,534 S * 9/2000 Golenz D12/416
- D432,075 S * 10/2000 Hassett D12/416
- D464,192 S * 10/2002 Fairbairn D3/215
- 6,626,601 B1 * 9/2003 Moor B42F 11/00
150/108

(Continued)

FOREIGN PATENT DOCUMENTS

CA 181966 * 4/2019
JP D1443872 * 6/2012

OTHER PUBLICATIONS

Amazon.com, site visited May 26, 2022, Wilderness Systems Mesh Storage Sleeve and Water Bottle Kit, First available Mar. 6, 2018, <https://www.amazon.com/dp/B07B991BZG> (Year: 2018).*

(Continued)

Primary Examiner — Brett Miller

Assistant Examiner — Jessica M Gebhart

(74) *Attorney, Agent, or Firm* — Carson Patents®;
Gregory D Carson

(57) **CLAIM**

I claim the ornamental design for a flat bag with bottle holder, as shown and described.

DESCRIPTION

FIG. 1 is a three-dimensional view of the flat bag with bottle holder.

FIG. 2 is a front view of the flat bag with bottle holder.

FIG. 3 is a rear view of the flat bag with bottle holder.

FIG. 4 is a left side view of the flat bag with bottle holder.

FIG. 5 is a right side view of the flat bag with bottle holder.

FIG. 6 is a top view of the flat bag with bottle holder.

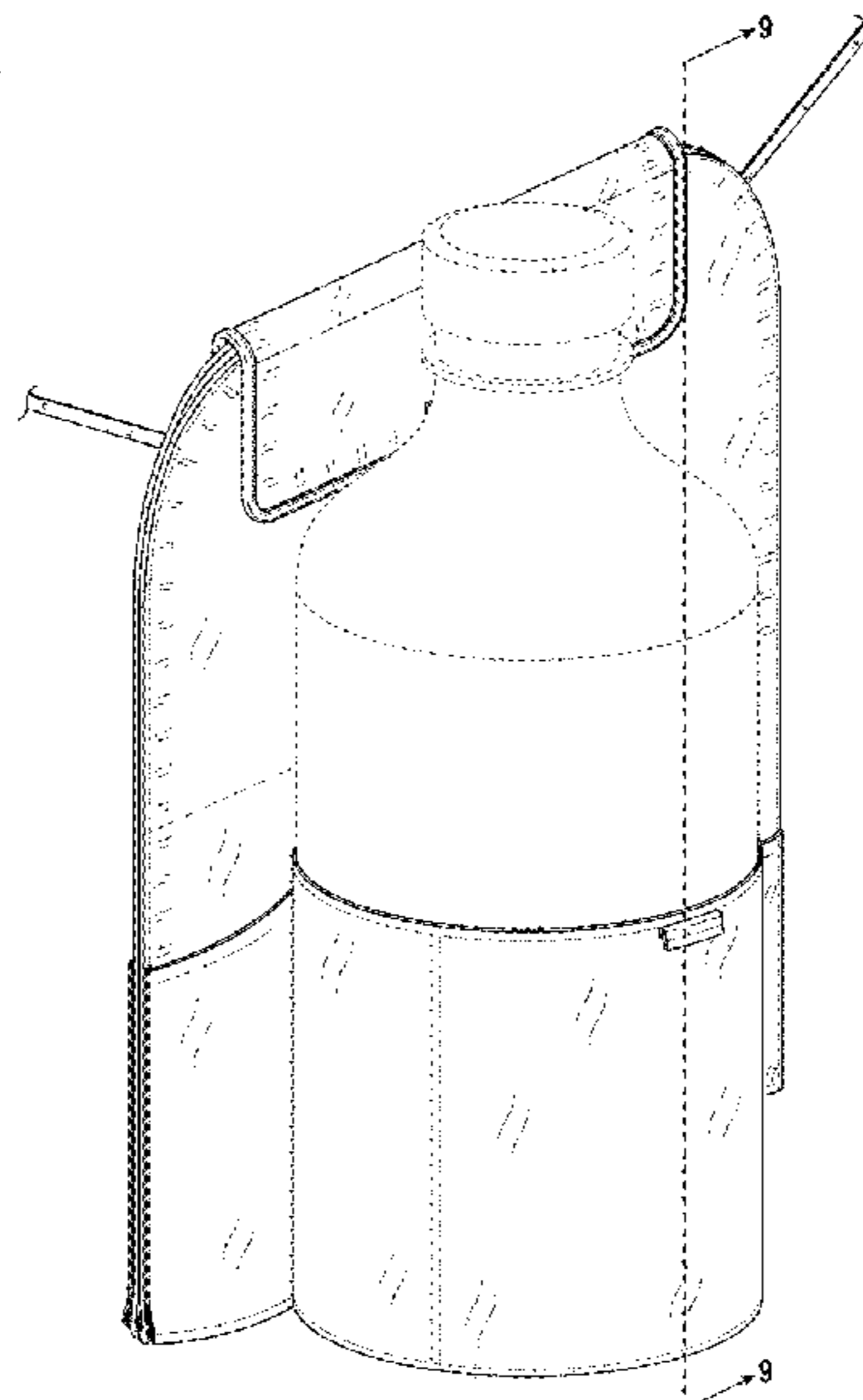
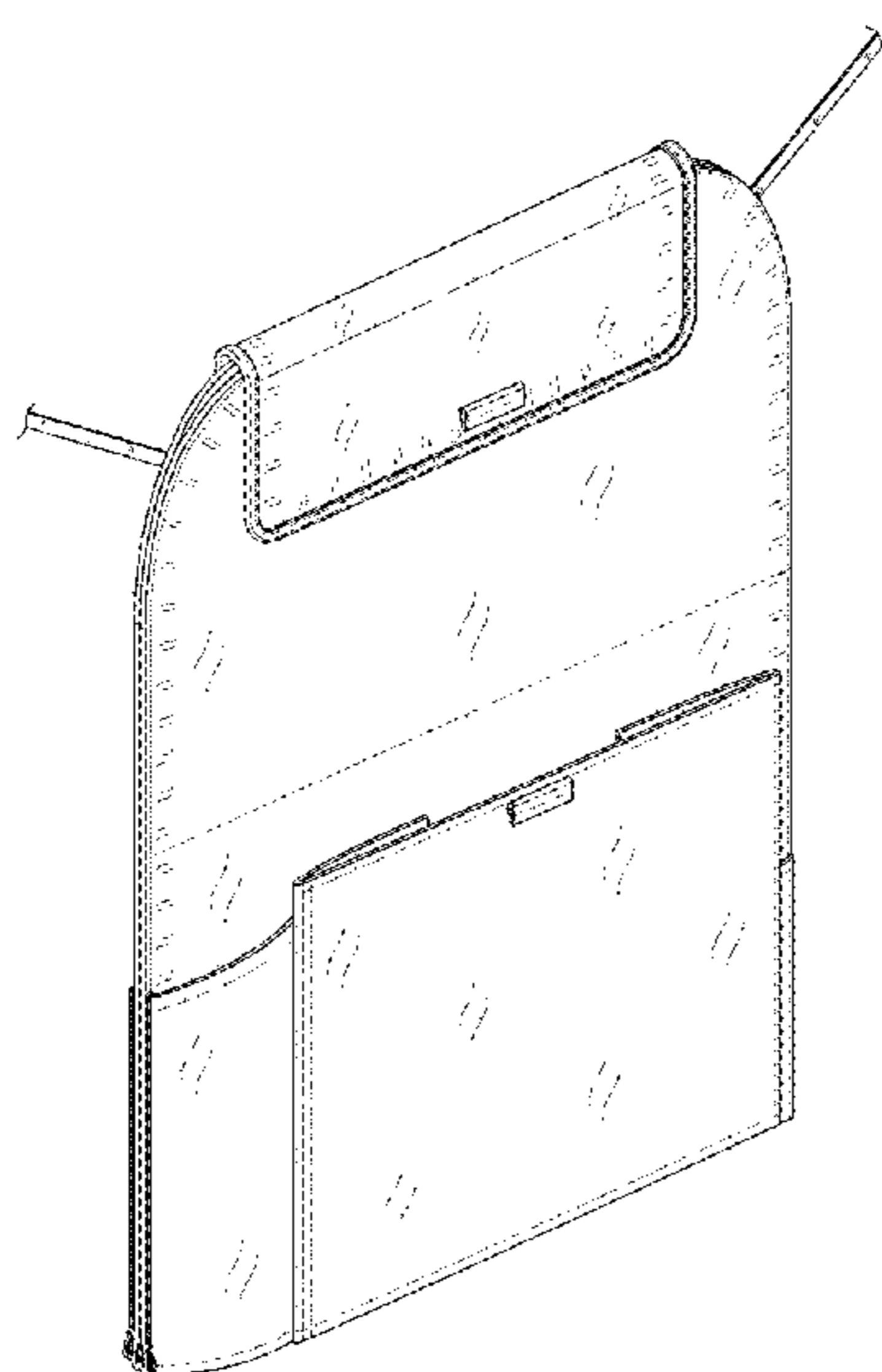
FIG. 7 is a bottom view of the flat bag with bottle holder.

FIG. 8 is a three-dimensional view of the flat bag with bottle holder with the bottle pocket open; and,

FIG. 9 is a cut-away view of the flat bag with bottle holder with the bottle pocket open.

The dashed broken lines show portions of the flat bag with bottle holder that form no part of the claimed design. The dotted broken lines show stitching that is included in the claimed design. The solid waved lines shown on the end of the straps in FIGS. 1-9 depict symbolic break lines and form no part of the claimed design.

1 Claim, 7 Drawing Sheets



(56)

References Cited

U.S. PATENT DOCUMENTS

D522,750 S * 6/2006 Girod D3/303
D528,298 S * 9/2006 Vernon D3/293
D728,937 S * 5/2015 Fridley D3/303
9,775,428 B2 10/2017 Johnson
D821,741 S * 7/2018 Shapiro D3/226
D848,143 S * 5/2019 Touchstone D3/215
10,477,950 B2 11/2019 DiJulio
2011/0132507 A1 6/2011 Reyes
2018/0000232 A1 1/2018 Willows et al.

OTHER PUBLICATIONS

Lbtinc.com, site visited May 26, 2022, Stretch Bottle Pocket, oldest review Dec. 24, 2019, <https://lbtinc.com/products/8011> (Year: 2019).*

4ocean.com, site visited May 26, 2022, Backpack Beach Chair with arm pocket to hold reusable bottle. Oldest review Sep. 23, 2020, <https://www.4ocean.com/products/4ocean-signature-layflat-cooler-backpack-beach-chair> (Year: 2020).*

* cited by examiner

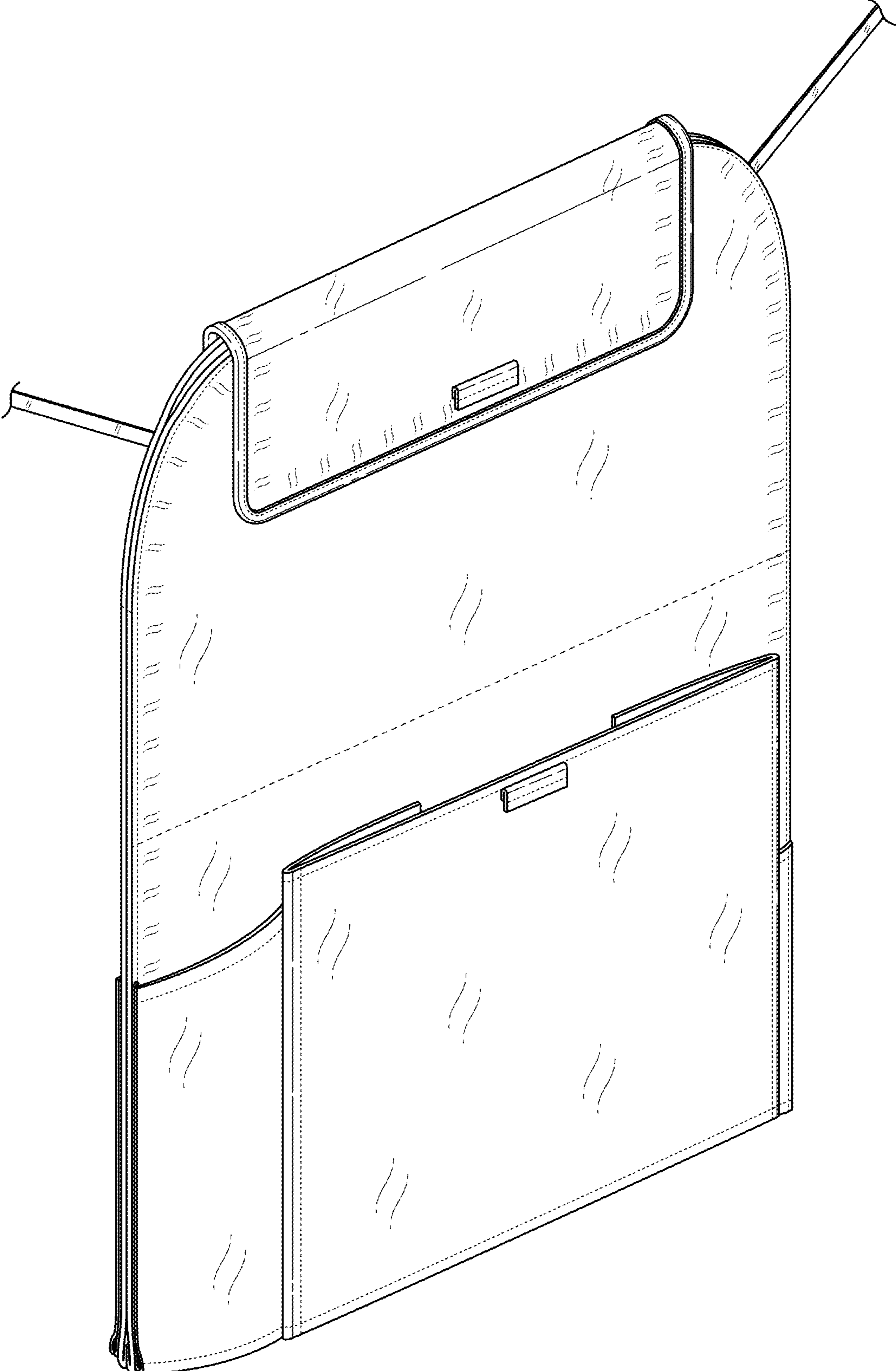


FIG. 1

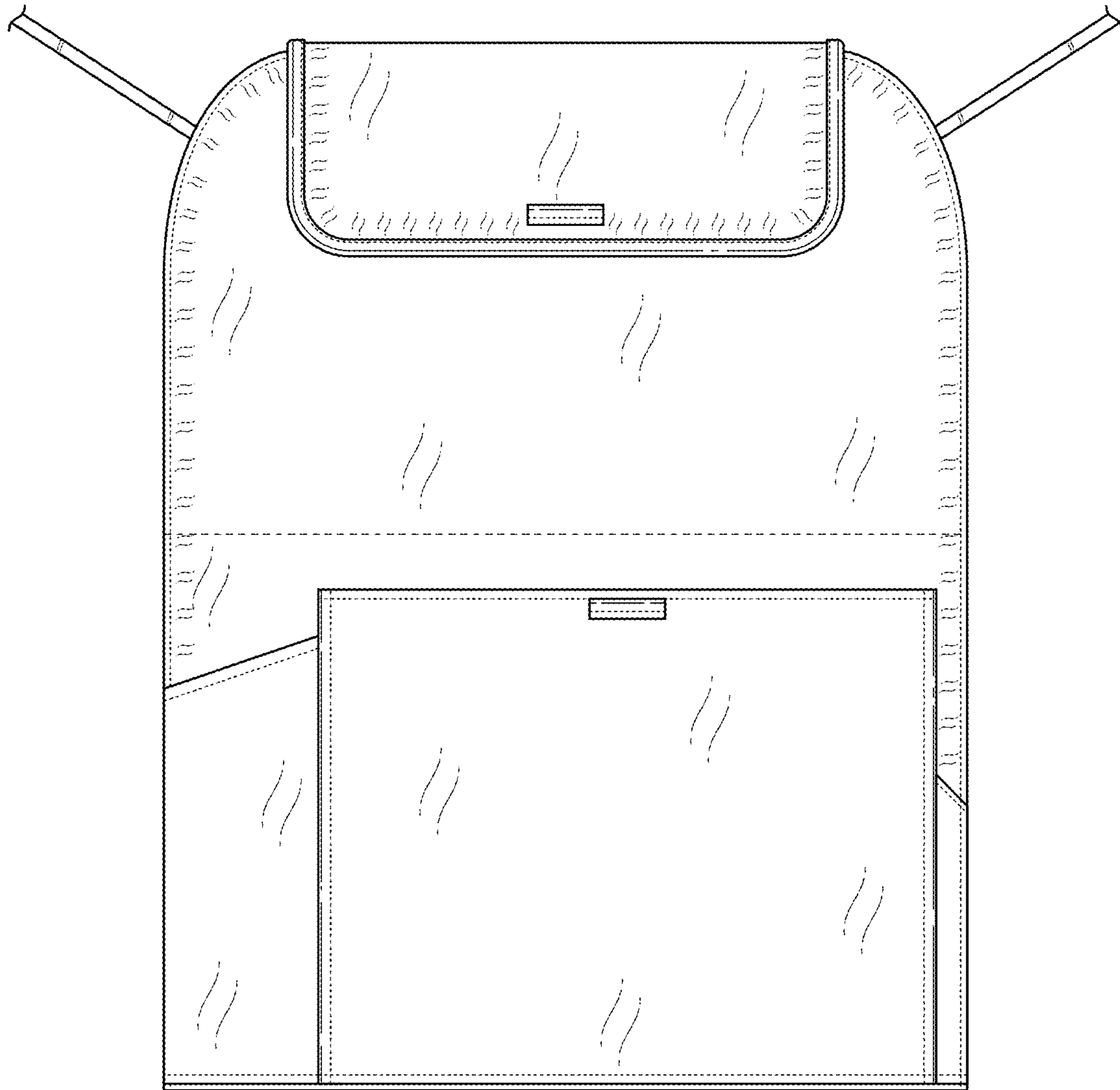


FIG. 2

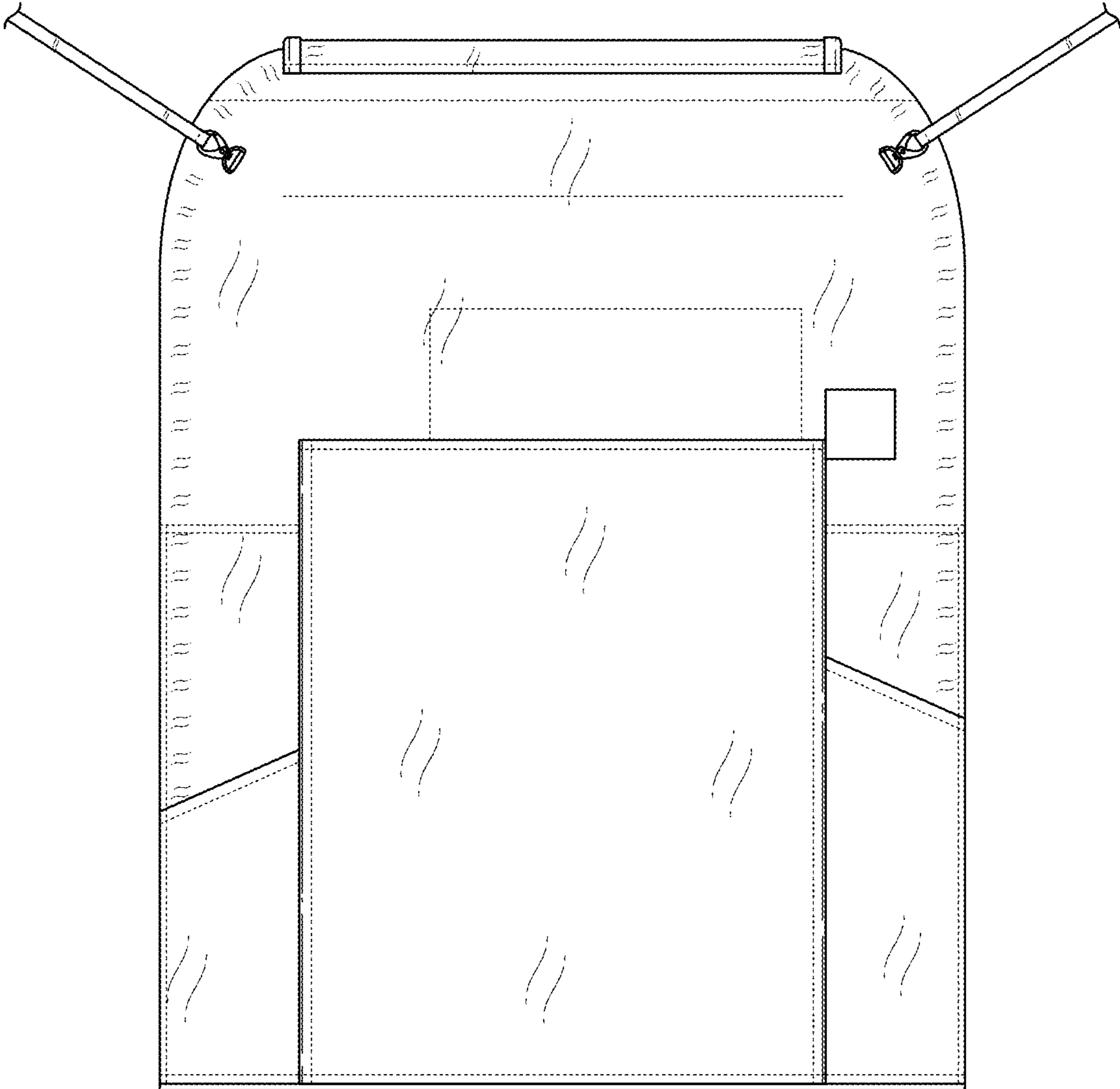


FIG. 3

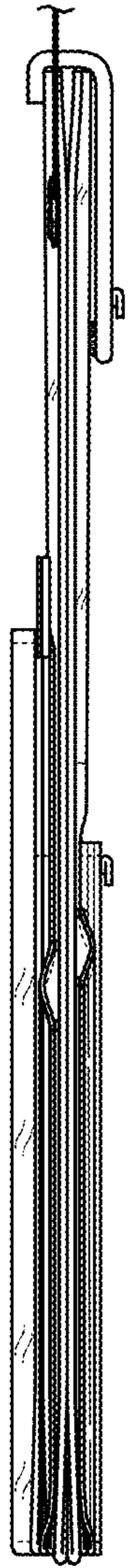


FIG. 4

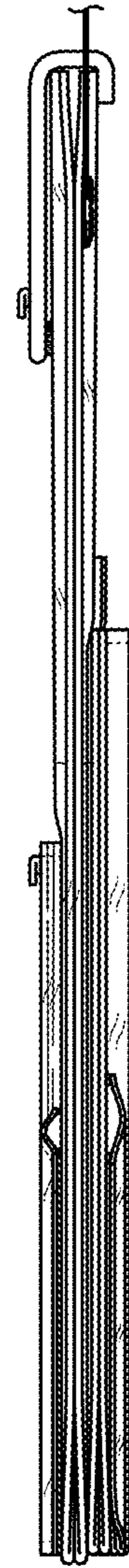


FIG. 5

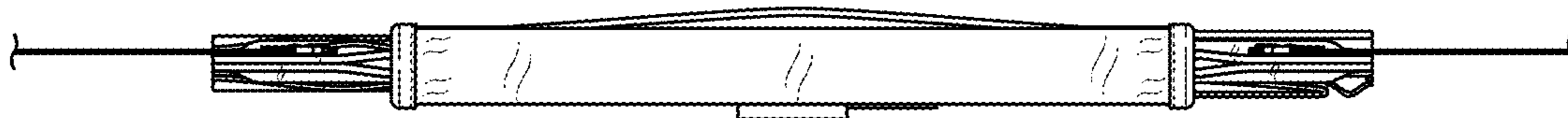


FIG. 6



FIG. 7

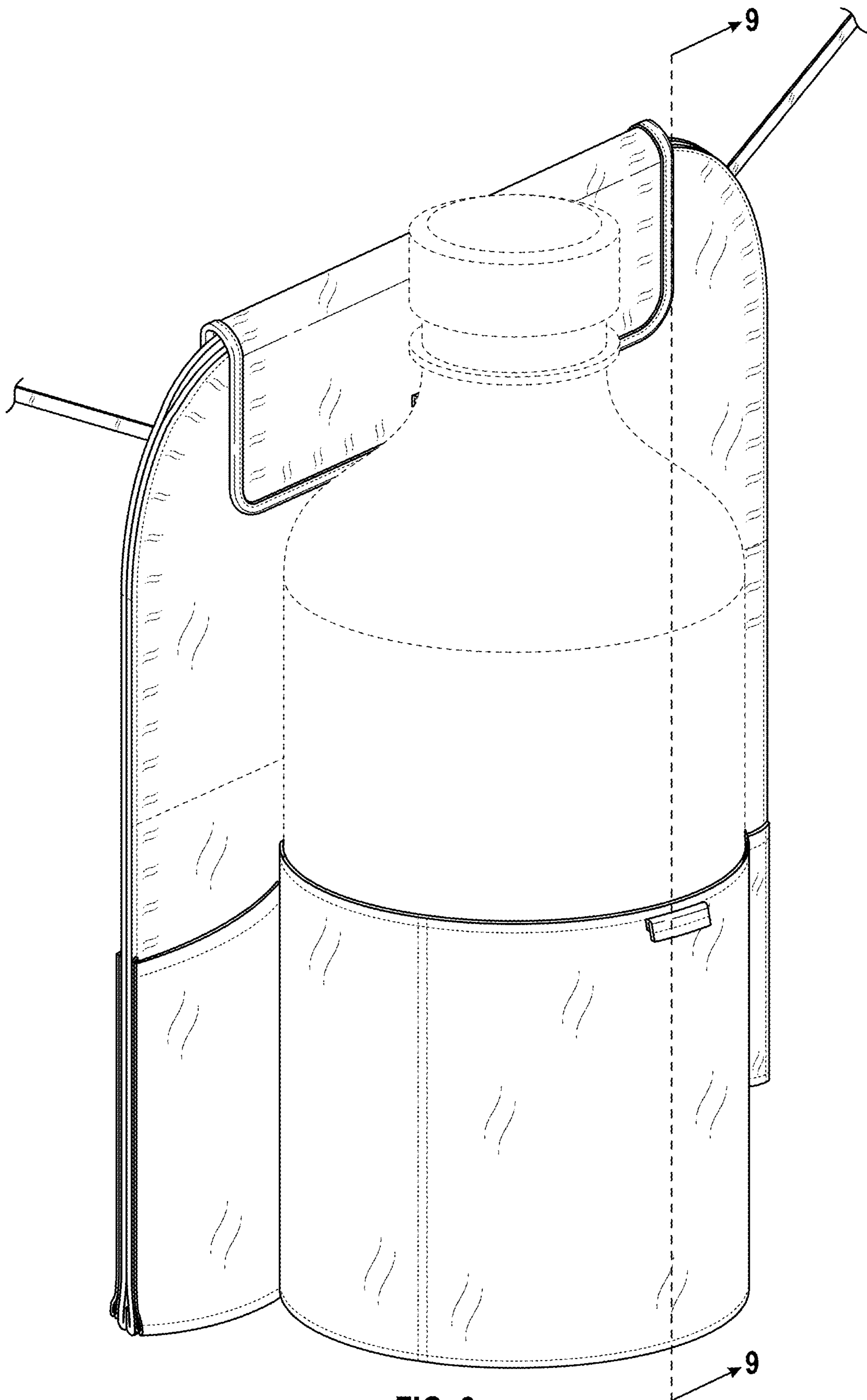


FIG. 8

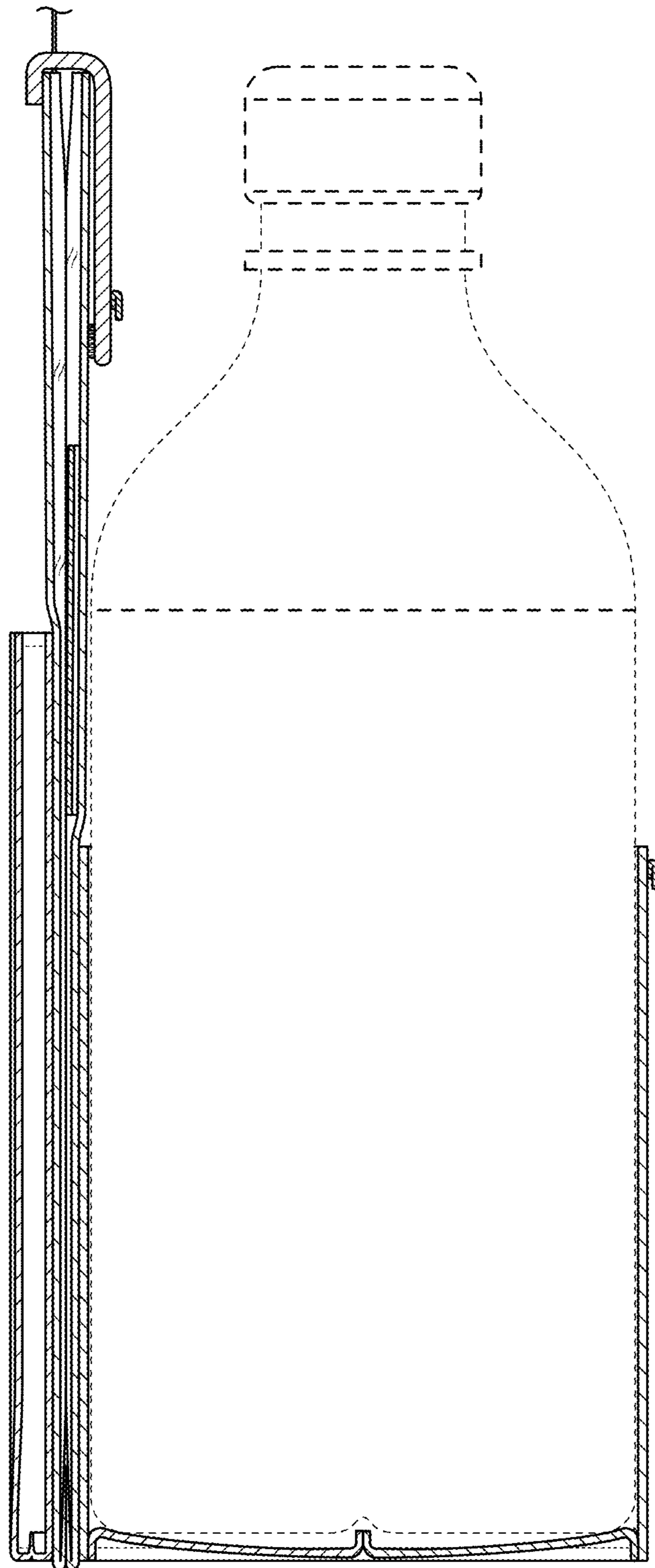


FIG. 9