



US00D972274S

(12) **United States Design Patent** (10) **Patent No.:** **US D972,274 S**  
**Nethongkome** (45) **Date of Patent:** **\*\* Dec. 13, 2022**

(54) **SHOE**  
(71) Applicant: **NIKE, Inc.**, Beaverton, OR (US)  
(72) Inventor: **Benjamin Nethongkome**, Beaverton, OR (US)  
(73) Assignee: **NIKE, Inc.**, Beaverton, OR (US)  
(\*\*) Term: **15 Years**  
(21) Appl. No.: **29/833,891**  
(22) Filed: **Apr. 7, 2022**  
(51) **LOC (13) Cl.** ..... **02-04**  
(52) **U.S. Cl.**  
USPC ..... **D2/959**  
(58) **Field of Classification Search**  
USPC ..... D2/896, 900, 902, 905, 906, 907, 908,  
D2/925, 946, 947, 948, 949, 950, 951,  
D2/952, 953, 954, 955, 956, 957, 958,  
D2/959, 960  
CPC ..... A43B 13/00; A43B 13/02; A43B 13/023;  
A43B 13/12; A43B 13/122; A43B  
13/125; A43B 13/127; A43B 13/14; A43B  
13/141; A43B 13/143; A43B 13/145;  
A43B 13/16; A43B 13/18; A43B 13/181;  
A43B 13/184; A43B 13/28; A43B 13/34;  
A43B 13/37  
See application file for complete search history.

D333,210 S 2/1993 Greene  
D333,555 S 3/1993 Hatfield et al.  
D334,465 S 4/1993 Teague  
D334,655 S 4/1993 McDonald  
D336,775 S 6/1993 Smith  
D336,980 S 7/1993 Peterson  
D338,325 S 8/1993 Avar  
D341,245 S 11/1993 Lai  
(Continued)

**FOREIGN PATENT DOCUMENTS**

CN 304696932 \* 6/2018  
CN 304744423 \* 7/2018

**OTHER PUBLICATIONS**

HOKA Mach 5 Shoe Review Satisfy Your Need for Speed with This Updated Daily Trainer, First available: Jun. 15, 2022 [online], [visited: Sep. 29, 2022] Available from the internet URL: <https://www.youtube.com/watch?v=odW41EV9o38> (Year: 2022).\*  
(Continued)

*Primary Examiner* — Jonathan J Han  
*Assistant Examiner* — Jeff Lenard D Torres  
(74) *Attorney, Agent, or Firm* — Schwabe, Williamson & Wyatt, P.C.

(57) **CLAIM**

I claim the ornamental design for a shoe, as shown and described.

(56) **References Cited**

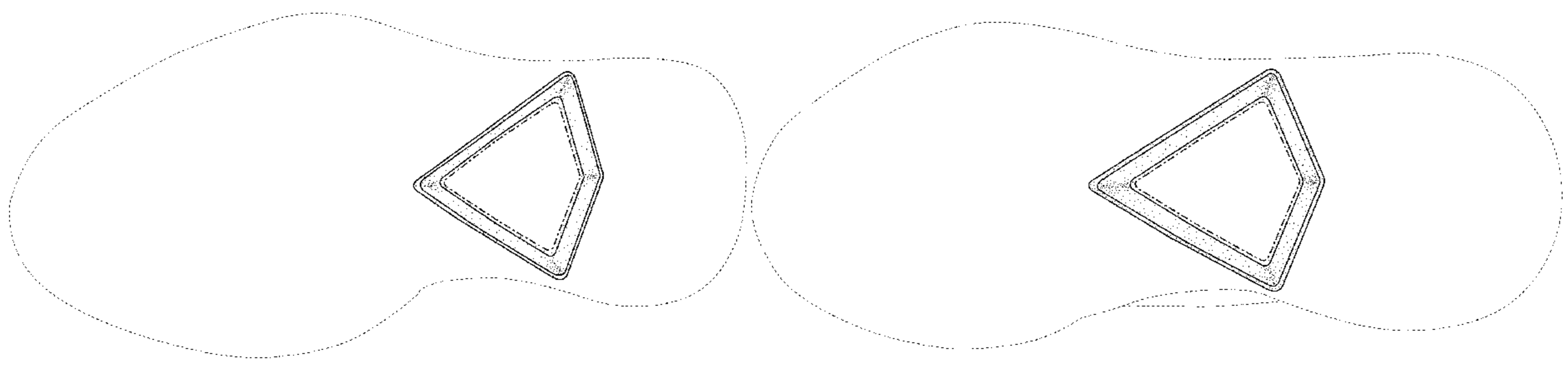
**U.S. PATENT DOCUMENTS**

1,833,606 A \* 11/1931 Gillis ..... A43B 9/06  
36/32 R  
D103,507 S \* 3/1937 Quinn ..... D2/959  
3,086,301 A \* 4/1963 Pastor ..... A43B 13/38  
36/102  
D319,726 S 9/1991 Lucas  
D321,978 S 12/1991 Hatfield  
D330,800 S 11/1992 Lucas  
D331,147 S 11/1992 Smith  
D332,346 S 1/1993 Hatfield et al.

**DESCRIPTION**

FIG. 1 is a front, bottom perspective view of a shoe, showing my new design;  
FIG. 2 is a bottom view thereof; and,  
FIG. 3 is a rear, bottom perspective view thereof.  
The dot-dash broken line represents a boundary of the claimed design and forms no part of the claimed design. The broken lines depicting the remainder of the shoe show features that form no part of the claimed design.

**1 Claim, 3 Drawing Sheets**



(56)

References Cited

U.S. PATENT DOCUMENTS

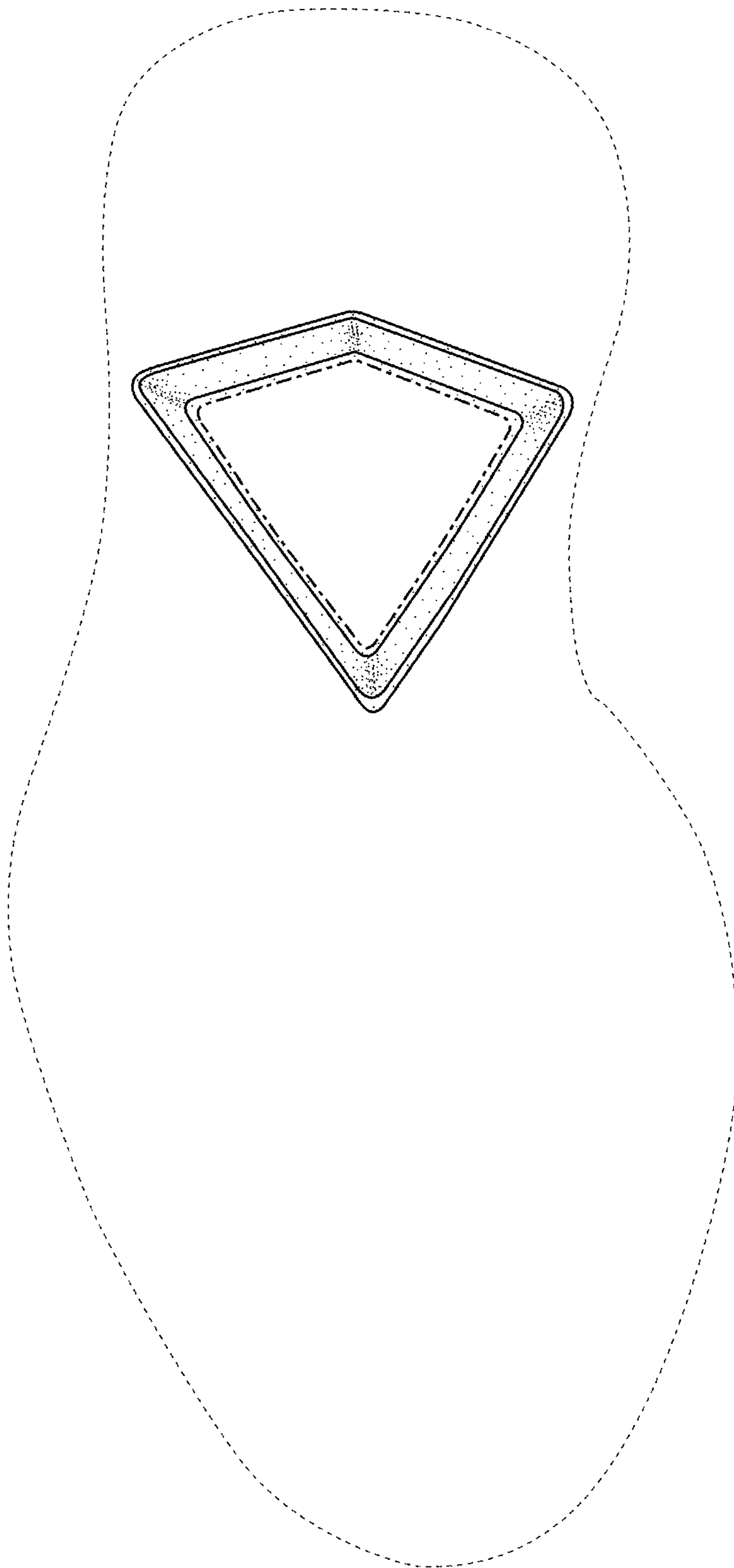
5,280,680 A \* 1/1994 Burke ..... A43B 13/14  
 D350,013 S \* 8/1994 Gitelman ..... D2/951  
 D447,327 S 9/2001 Greenberg ..... D2/978  
 D543,679 S \* 6/2007 Edwards ..... D2/959  
 D580,638 S \* 11/2008 McClaskie ..... D2/951  
 D587,442 S 3/2009 Robinson, Jr.  
 D595,036 S \* 6/2009 Link ..... D2/951  
 D595,037 S \* 6/2009 Mayden ..... D2/951  
 D609,439 S 2/2010 Walton  
 D643,601 S 8/2011 Raysse  
 D644,421 S \* 9/2011 Raysse ..... D2/951  
 D683,119 S \* 5/2013 Shyllon ..... D2/960  
 D694,501 S \* 12/2013 Miner ..... D2/951  
 D698,134 S \* 1/2014 Abshire ..... D2/954  
 D776,905 S \* 1/2017 Little ..... D2/951  
 D780,415 S \* 3/2017 Gibson ..... D2/951  
 D808,140 S \* 1/2018 da Costa Pereira Machado .....  
 D814,157 S \* 4/2018 Shyllon ..... D2/951  
 D828,988 S 9/2018 Gibson  
 D848,720 S 5/2019 Gibson  
 D849,382 S 5/2019 Jenkins et al.  
 D855,949 S \* 8/2019 Sassi ..... D2/902  
 D859,801 S 9/2019 Jenkins et al.  
 D861,307 S \* 10/2019 Hatfield ..... D2/951  
 D866,139 S \* 11/2019 Durflinger ..... D2/951  
 D866,147 S 11/2019 Durflinger  
 D879,415 S \* 3/2020 Sassi ..... D2/902  
 D879,416 S \* 3/2020 Sassi ..... D2/902  
 D894,543 S \* 9/2020 López Calí ..... D2/902  
 D894,572 S \* 9/2020 López Calí ..... D2/947  
 D900,446 S 11/2020 Jury  
 D900,450 S \* 11/2020 Belhacene ..... D2/951  
 D902,549 S 11/2020 Papp  
 D902,550 S 11/2020 Papp  
 D903,253 S 12/2020 Vella  
 D904,742 S 12/2020 Stiff  
 D904,743 S 12/2020 Stiff  
 D912,383 S 3/2021 Jenkins et al.  
 D912,956 S 3/2021 Witherow  
 D925,878 S 7/2021 Stiff  
 D934,545 S 11/2021 Holmes  
 D935,152 S \* 11/2021 Stauffer ..... D2/951  
 D944,505 S \* 3/2022 Carson ..... D2/947  
 D945,136 S 3/2022 Petrie

D947,509 S 4/2022 Stiff  
 D954,409 S \* 6/2022 Klein ..... D2/947  
 D954,415 S \* 6/2022 Nethongkome ..... D2/947  
 D964,714 S \* 9/2022 Klug ..... D2/951  
 2015/0305434 A1 \* 10/2015 Santos ..... A43B 13/125  
 36/102  
 2018/0206594 A1 \* 7/2018 Smith ..... A43B 13/14

OTHER PUBLICATIONS

Unboxing Tênis Adidas Tracefinder, First available: Jul. 13, 2022 [online], [visited: Sep. 29, 2022] Available from the internet URL: <https://www.youtube.com/watch?v=pzImT2uUIFA> (Year: 2022).\* Nike; KD14; Accessed on Jun. 28, 2022 from <https://www.nike.com/t/kd14-basketball-shoe-BvdG8D/CW3935-004>; 3 pages.  
 Nike; Kyrie Low 5; Accessed on Jun. 28, 2022 from <https://www.nike.com/t/kyrie-low-5-basketball-shoes-ZdZQfZ/DJ6012-100>; 3 pages.  
 Nike; LeBron 8 V/2 Low; Accessed on Jun. 28, 2022 from <https://www.nike.com/t/lebron-8-v-2-low-treasure-blue-shoe-xnbzP1/DN1581-400>; 3 pages.  
 Nike; Nike LeBron IX; Accessed on Jun. 28, 2022 from <https://www.nike.com/my/t/lebron-ix-shoes-c5cx1/DO5838-001>; 2 pages.  
 Nike; Nike Air Max Impact 3; Accessed on Jun. 28, 2022 from <https://www.nike.com/my/t/air-max-impact-3-basketball-shoe-J7Pjxx/DC3725-007>; 2 pages.  
 Nike; Nike Air Zoom G.T. Jump; Accessed on Jun. 28, 2022 from <https://www.nike.com/my/t/air-zoom-gt-jump-basketball-shoes-22QS5F/CZ9907-101>; 2 pages.  
 Nike; PG 5; Accessed on Jun. 28, 2022 from <https://www.nike.com/t/pg-5-team-basketball-shoes-pNPFKx/DA7758-002>; 4 pages.  
 Nike; Zoom Freak 3; Accessed on Jun. 28, 2022 from <https://www.nike.com/t/zoom-freak-3-basketball-shoes-QXBvM0/DA0694-003>; 5 pages.  
 Nike Footwear Catalog, 2000 Fall Men's Footwear, p. 4, published Nov. 1999; Nike, Inc., USA.  
 Nike; Kyrie Flytrap 4; Accessed on Oct. 5, 2021 from <https://www.nike.com/t/kyrie-flytrap-4-basketball-shoes-0TKwJ7/CT1972-006>; 3 pages.  
 Nike; Kyrie Infinity; Accessed on Mar. 29, 2022 from <https://www.nike.com/t/kyrie-infinity-n7-basketball-shoes-LvzsVp/CZ0204-400>; 4 pages.  
 Nike; Kyrie Low 4; Accessed on Oct. 5, 2021 from <https://www.nike.com/t/kyrie-low-4-basketball-shoes-zwSncK/CW3985-401>; 1 page.

\* cited by examiner



**FIG. 1**

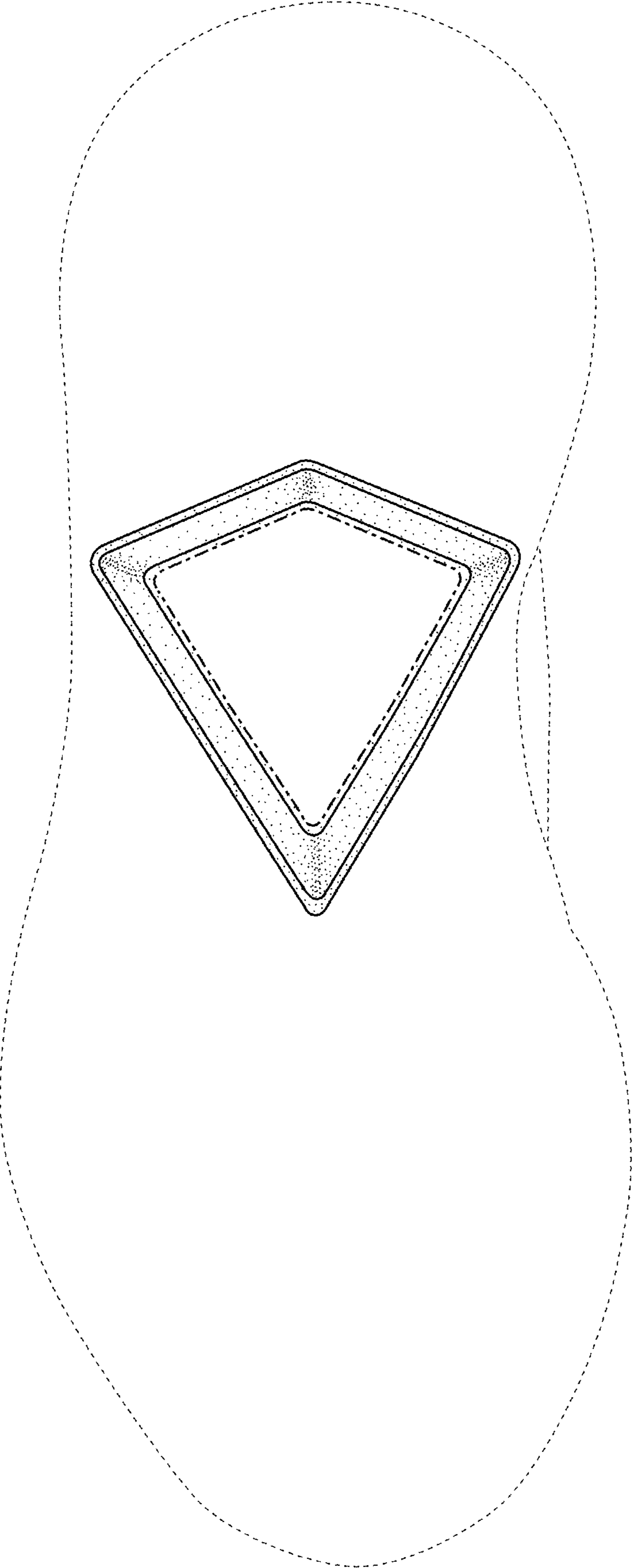
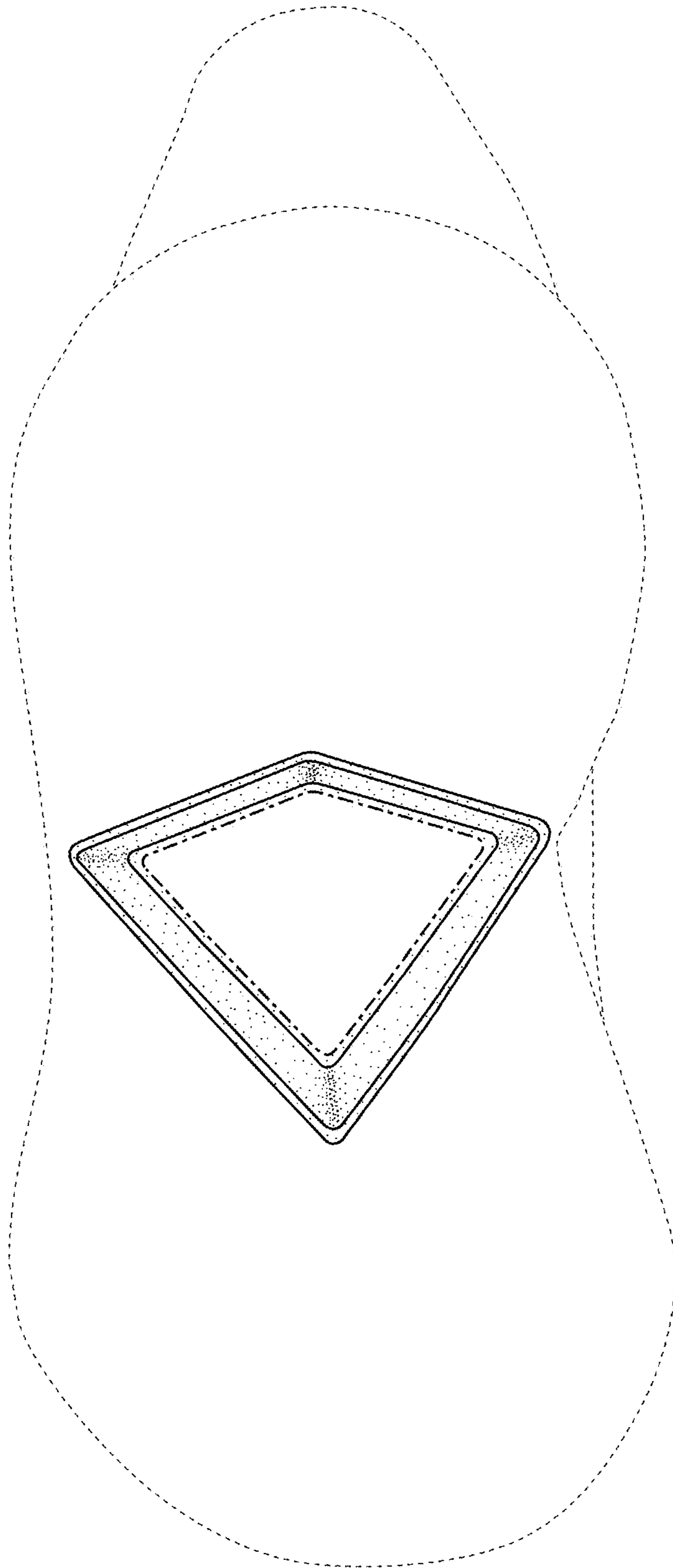


FIG. 2



**FIG. 3**