



US00D972249S

(12) **United States Design Patent**  
**Bendana**

(10) **Patent No.:** **US D972,249 S**

(45) **Date of Patent:** **\*\* Dec. 13, 2022**

- (54) **POCKETED JOCK STRAP**
- (71) Applicant: **Double Scorpio LLC**, Austin, TX (US)
- (72) Inventor: **Julian Bendana**, Austin, TX (US)
- (73) Assignee: **Double Scorpio LLC**, Austin, TX (US)
- (\*\*) Term: **15 Years**
- (21) Appl. No.: **29/709,638**

D263,169 S \* 2/1982 Larko ..... D24/124  
 D278,376 S \* 4/1985 Heinfling ..... D2/742  
 4,526,167 A \* 7/1985 Ebenal ..... A41B 9/023  
 2/403

(Continued)

**FOREIGN PATENT DOCUMENTS**

BR DI6805294-0001 \* 12/2008  
 CN 305526763 \* 1/2020

(Continued)

**OTHER PUBLICATIONS**

Scorpio Pocket Demonstration, available at facebook.com, posted Mar. 8, 2019 [online], site visited Oct. 28, 2021, Available from the internet URL: <https://www.facebook.com/DoubleScorpioVHS/videos/2582395511776892/> (Year: 2019).\*

(Continued)

*Primary Examiner* — Messina L Smith  
*Assistant Examiner* — Jillian Mazzola  
 (74) *Attorney, Agent, or Firm* — Lee & Hayes, P.C.

(57) **CLAIM**

The ornamental design for a pocketed jock strap, as shown and described.

**DESCRIPTION**

FIG. 1 is a rear perspective view of a pocketed jock strap showing the new design.  
 FIG. 2 is another rear perspective view thereof.  
 FIG. 3 is a front view thereof.  
 FIG. 4 is a back view thereof.  
 FIG. 5 is a left-side view thereof.  
 FIG. 6 is a right-side view thereof.  
 FIG. 7 is a top view thereof; and,  
 FIG. 8 is a bottom view thereof.  
 The dashed broken lines depict portions of the pocketed jock strap that form no part of the claimed design.

**1 Claim, 8 Drawing Sheets**

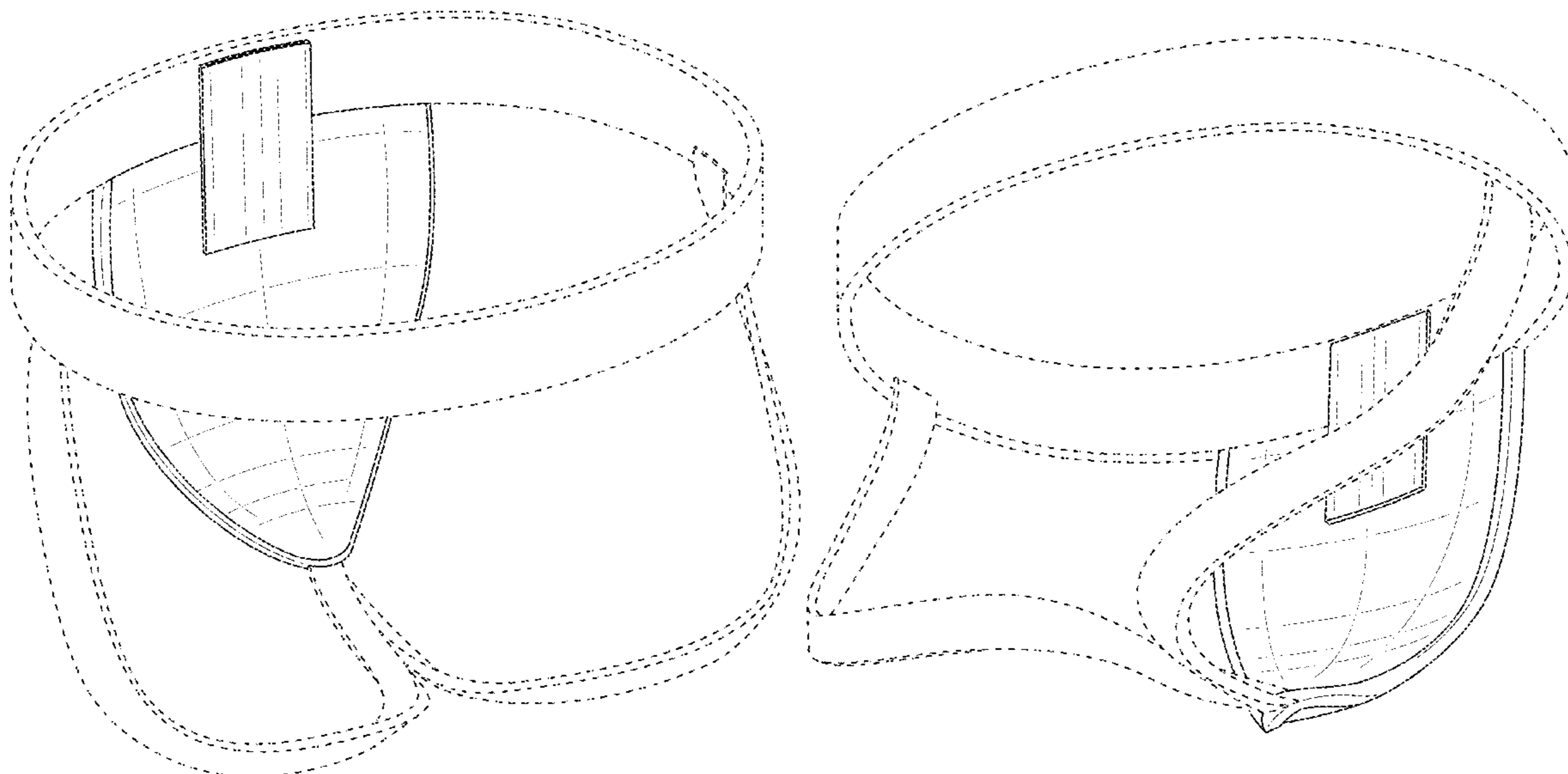
- (22) Filed: **Oct. 16, 2019**
- (51) **LOC (13) Cl.** ..... **24-04**
- (52) **U.S. Cl.**  
USPC ..... **D2/711**
- (58) **Field of Classification Search**  
USPC ..... D2/700–705, 711–716, 728–738,  
D2/742–748  
CPC .. A41B 9/00; A41B 9/001; A41B 9/02; A41B  
9/002; A41B 9/004; A41B 9/023; A41D  
13/0002; A41D 13/0007; A41D 13/0012;  
A41D 13/05; A41D 13/0525; A41D  
13/055; A41D 13/0581; A41D 13/0587;  
A41D 13/0593

See application file for complete search history.

(56) **References Cited**

**U.S. PATENT DOCUMENTS**

967,736 A \* 8/1910 Delp ..... A61F 5/40  
602/70  
D140,269 S \* 2/1945 O'Brien ..... D2/856  
D160,328 S \* 10/1950 Marks ..... D2/712  
RE23,334 E \* 1/1951 Montmarquet ..... A41B 9/02  
602/70  
3,176,688 A \* 4/1965 Tschappat ..... A61F 13/49004  
604/386  
D233,633 S \* 11/1974 Burkard ..... D2/711  
4,122,849 A \* 10/1978 Dietz ..... A61F 5/40  
602/73



(56)

References Cited

U.S. PATENT DOCUMENTS

4,709,661 A \* 12/1987 Mayle, Jr. .... A01K 23/00  
119/868  
4,731,063 A \* 3/1988 Newkirk ..... A41D 27/12  
602/67  
4,989,594 A \* 2/1991 Doherty ..... A61F 5/40  
2/247  
5,093,935 A \* 3/1992 Countee, Jr. .... A41B 9/02  
2/247  
5,237,706 A \* 8/1993 Nalbandian ..... A41B 9/023  
2/403  
D339,219 S \* 9/1993 Beauchemin ..... D2/713  
D341,470 S \* 11/1993 Quick ..... D2/713  
5,275,592 A \* 1/1994 Grizzaffi ..... A61F 5/4401  
2/403  
5,524,298 A \* 6/1996 Plunkett ..... A41B 9/023  
2/400  
5,547,466 A \* 8/1996 McRoberts ..... A61F 5/40  
2/403  
D384,187 S \* 9/1997 McRoberts ..... D2/701  
D396,542 S \* 8/1998 Nicholson ..... D2/712  
5,807,299 A \* 9/1998 McRoberts ..... A61F 5/40  
602/67  
D399,606 S \* 10/1998 Folise ..... D29/112  
5,920,914 A \* 7/1999 Dempsey ..... A41B 9/02  
2/403  
6,018,823 A \* 2/2000 Ortmeier ..... A41B 9/04  
2/406  
6,023,789 A \* 2/2000 Wilson ..... A41D 1/089  
2/228  
D431,649 S \* 10/2000 Hunsucker ..... D24/126  
6,132,412 A \* 10/2000 Jones ..... A61F 13/471  
604/392  
D447,808 S \* 9/2001 Ross ..... D24/124  
D528,739 S \* 9/2006 Williamson ..... D2/712  
D530,884 S \* 10/2006 Johnson-Smith ..... D2/712  
D579,628 S \* 11/2008 Wiens ..... D2/711  
D596,287 S \* 7/2009 Tan ..... D24/126  
D608,443 S \* 1/2010 Thompson ..... D24/126  
8,100,876 B1 \* 1/2012 Biondolillo ..... A41D 27/20  
604/385.14  
D664,326 S \* 7/2012 Steele ..... D2/712  
D672,529 S \* 12/2012 Lucas ..... D2/716  
D683,863 S \* 6/2013 Astin ..... D24/215  
D692,558 S \* 10/2013 Cassano ..... D24/126  
8,702,667 B1 \* 4/2014 Johnson ..... A61F 13/471  
604/385.09  
D716,019 S \* 10/2014 Astin ..... D2/711  
D719,318 S \* 12/2014 Perron ..... D2/737  
D733,396 S \* 7/2015 Waters ..... D2/716  
D737,021 S \* 8/2015 Gonzales ..... D2/708  
9,383,171 B2 \* 7/2016 Crye ..... A41D 13/0525  
D769,577 S \* 10/2016 Valenzuela ..... D2/712  
D775,782 S \* 1/2017 Peete ..... D2/716  
D783,904 S \* 4/2017 Pillion ..... D29/101.5  
D794,182 S \* 8/2017 Roberts ..... D24/126  
D800,301 S \* 10/2017 Ort ..... D24/126  
D838,083 S \* 1/2019 Lenahan ..... D2/711  
D841,800 S \* 2/2019 Saadia ..... D24/126  
D858,940 S \* 9/2019 Rodriguez ..... D2/711  
D871,020 S \* 12/2019 Williams ..... D2/712  
D874,091 S \* 2/2020 Williams ..... D2/712  
2005/0090795 A1 \* 4/2005 Coleman ..... A61F 13/505  
604/387  
2005/0142986 A1 \* 6/2005 Belpaume ..... A41D 7/005  
450/99  
2005/0204458 A1 \* 9/2005 Wong ..... A41D 1/089  
2/466  
2008/0108863 A1 \* 5/2008 Stephenson ..... A61F 7/02  
600/38  
2008/0109945 A1 \* 5/2008 Xia ..... A41B 9/023  
2/403  
2008/0189832 A1 \* 8/2008 Oscher ..... A41D 7/005  
2/400

2009/0178183 A1 \* 7/2009 Lin ..... A41B 9/023  
2/405  
2011/0009794 A1 \* 1/2011 Diamond ..... A63B 71/1216  
602/70  
2011/0245791 A1 \* 10/2011 Miller ..... A61F 13/84  
604/385.01  
2011/0296591 A1 \* 12/2011 Park ..... A41B 9/00  
2/401  
2012/0311758 A1 \* 12/2012 Nicholson ..... A41D 27/20  
2/67  
2013/0046258 A1 \* 2/2013 Chambers ..... A61F 5/453  
604/349  
2013/0304014 A1 \* 11/2013 Beck ..... A61F 13/74  
604/391  
2015/0282996 A1 \* 10/2015 Newton ..... A61F 13/4915  
604/385.14  
2016/0278438 A1 \* 9/2016 Polidan ..... A41B 9/023  
2017/0014283 A1 \* 1/2017 Wright ..... A61F 13/505  
2017/0224549 A1 \* 8/2017 Helit ..... A41B 9/001  
2018/0161216 A1 \* 6/2018 Herchert ..... A61F 13/84  
2018/0368482 A1 \* 12/2018 Chea ..... A41B 9/04  
2019/0125000 A1 \* 5/2019 Silvas ..... A41B 9/14  
2021/0153570 A1 \* 5/2021 Soldavini ..... A41D 13/1254

FOREIGN PATENT DOCUMENTS

CN 306114631 \* 10/2020  
FR 3680-001 \* 3/1914  
GB 6057105 \* 3/2019  
JP D1172354 \* 4/2003  
JP D1186697 \* 10/2003  
JP D1697096 \* 10/2021  
KR 300693843.0001 \* 5/2013  
KR 301074815.0000 \* 9/2020  
KR 301123021.0000 \* 8/2021

OTHER PUBLICATIONS

THK Jockstrap, available at [thirstymale.com](http://thirstymale.com), earliest date available Feb. 15, 2021 [online], site visited Oct. 28, 2021, Available from the internet URL: [www.thirstymale.com/products/performance-jockstrap-with-popper-locker-1](http://www.thirstymale.com/products/performance-jockstrap-with-popper-locker-1) (Year: 2021).\*

CellBlock 13 Sniper Army Green Jock w/Side Pocket, available at [poshmark.com](http://poshmark.com), earliest date available Oct. 27, 2021 [online], site visited Oct. 28, 2021, Available from the internet URL: <https://poshmark.com/listing/CellBlock-13-Sniper-Army-Green-Jock-w-Side-Pocket-60cd1bc3d737fdb6dbd7f60d> (Year: 2021).\*

100% Real Leather Jockstrap, available at [ebay.com](http://ebay.com), earliest date available Sep. 7, 2020 [online], site visited Oct. 28, 2021, Available from the internet URL: <https://www.ebay.com/itm/184435260533?hash=item2af132bc75:g:T8gAAOSwWtffVK8S> (Year: 2020).\*

Jockmail Mens Jockstrap, available at [ebay.com](http://ebay.com), earliest date available Jan. 3, 2020 [online], site visited Oct. 28, 2021, Available from the internet URL: <https://www.ebay.com/itm/174142022725?> (Year: 2020).\*

KD Willmax Jockstrap, available at [amazon.com](http://amazon.com), earliest date available Feb. 7, 2017 [online], site visited Oct. 28, 2021, Available from the internet URL: <https://www.amazon.com/KD-Jockstrap-Supporter-Fashionable-Underpants/dp/B01N0Z3OED/> (Year: 2017).\*

Jockmail Packing Jockstrap, available at [transguysupply.com](http://transguysupply.com), earliest customer review date Oct. 26, 2019 [online], site visited Oct. 28, 2021, Available from the internet URL: <https://transguysupply.com/products/jockmail-ftm-jockstrap> (Year: 2019).\*

H&R Men's Pocket Underwear, available at [amazon.com](http://amazon.com), earliest date available May 30, 2019 [online], site visited Oct. 28, 2021, Available from the internet URL: <https://www.amazon.com/Pocket-Underwear-Secret-Front-Panties/dp/B07SJK2VT9> (Year: 2019).\*

Stealth Pants, available at [stealthpants.com](http://stealthpants.com), earliest customer review date Dec. 3, 2015 [online], site visited Oct. 28, 2021, Available from the internet URL: <https://www.stealthpants.com/?product=stealth-pants-hidden-pocket-underwear> (Year: 2015).\*

Aunt Flo's Period Panties, available at [walmart.com](http://walmart.com), earliest customer review date May 9, 2021 [online], site visited Oct. 28, 2021,

(56)

**References Cited**

OTHER PUBLICATIONS

Available from the internet URL: <https://www.walmart.com/ip/Aunt-Flo-s-Period-Panties-with-Pocket-Red-3XL/297418607> (Year: 2021).\*

Hidden Pocket Men's Boxer Briefs, available at [iheartraves.com](http://iheartraves.com), earliest customer review date Mar. 20, 2018 [online], site visited Oct. 28, 2021, Available from the internet URL: <https://www.iheartraves.com/products/stash-boxers> (Year: 2018).\*

Jock Pockets, available at [youtube.com](http://youtube.com), posted Jan. 13, 2010 [online], site visited Oct. 28, 2021, Available from the internet URL: <https://www.youtube.com/watch?v=dZHWEIbeewk> (Year: 2010).\*

Australian Office Action dated Jun. 3, 2020 for Australian Patent Application No. 202012282, a counterpart of U.S. Appl. No. 29/709,638, 3 pages.

Australian Office Action dated Oct. 21, 2020 for Australian Patent Application No. 202012282, a counterpart of U.S. Appl. No. 29/709,638, 9 pages.

\* cited by examiner

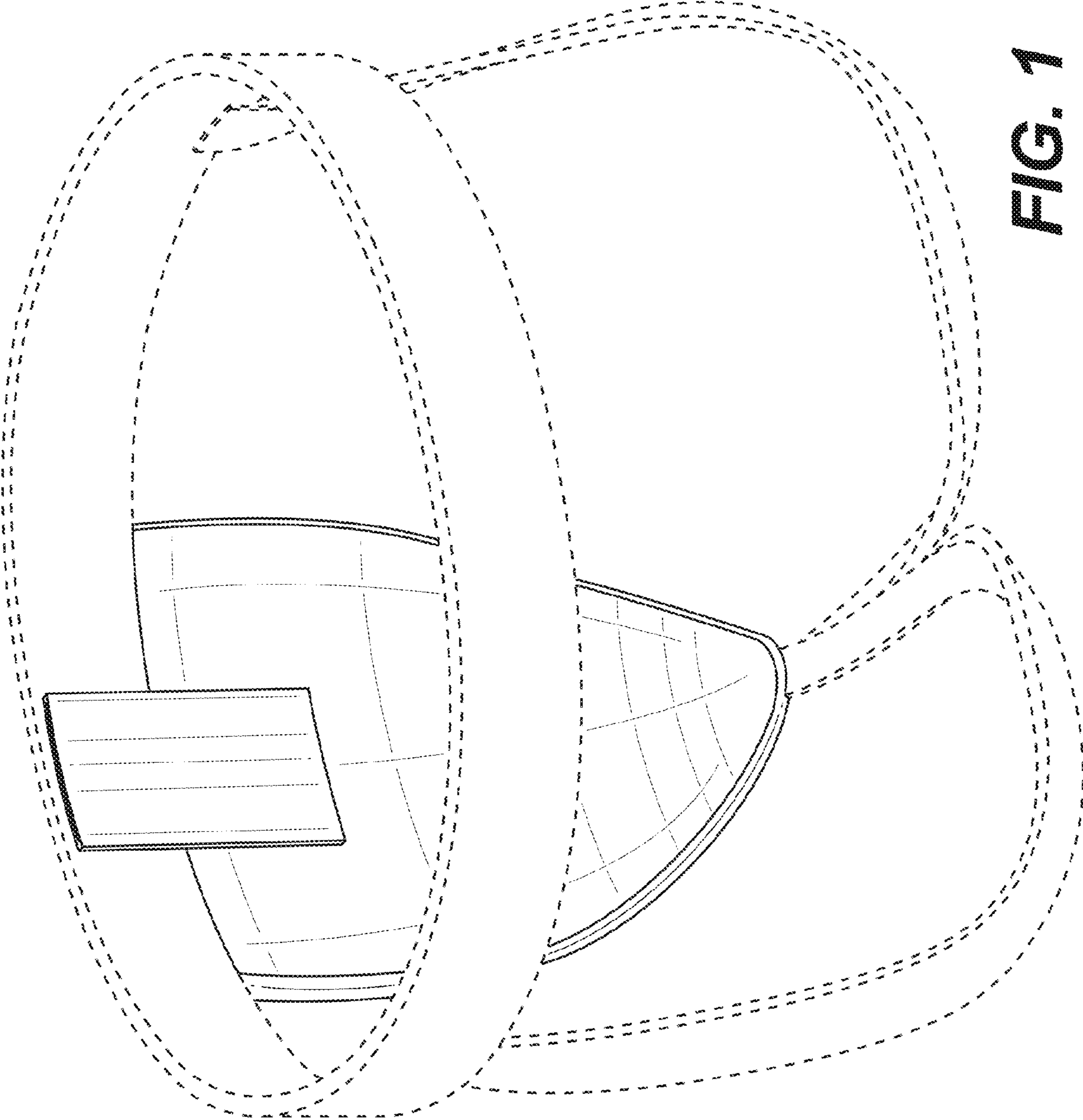


FIG. 1

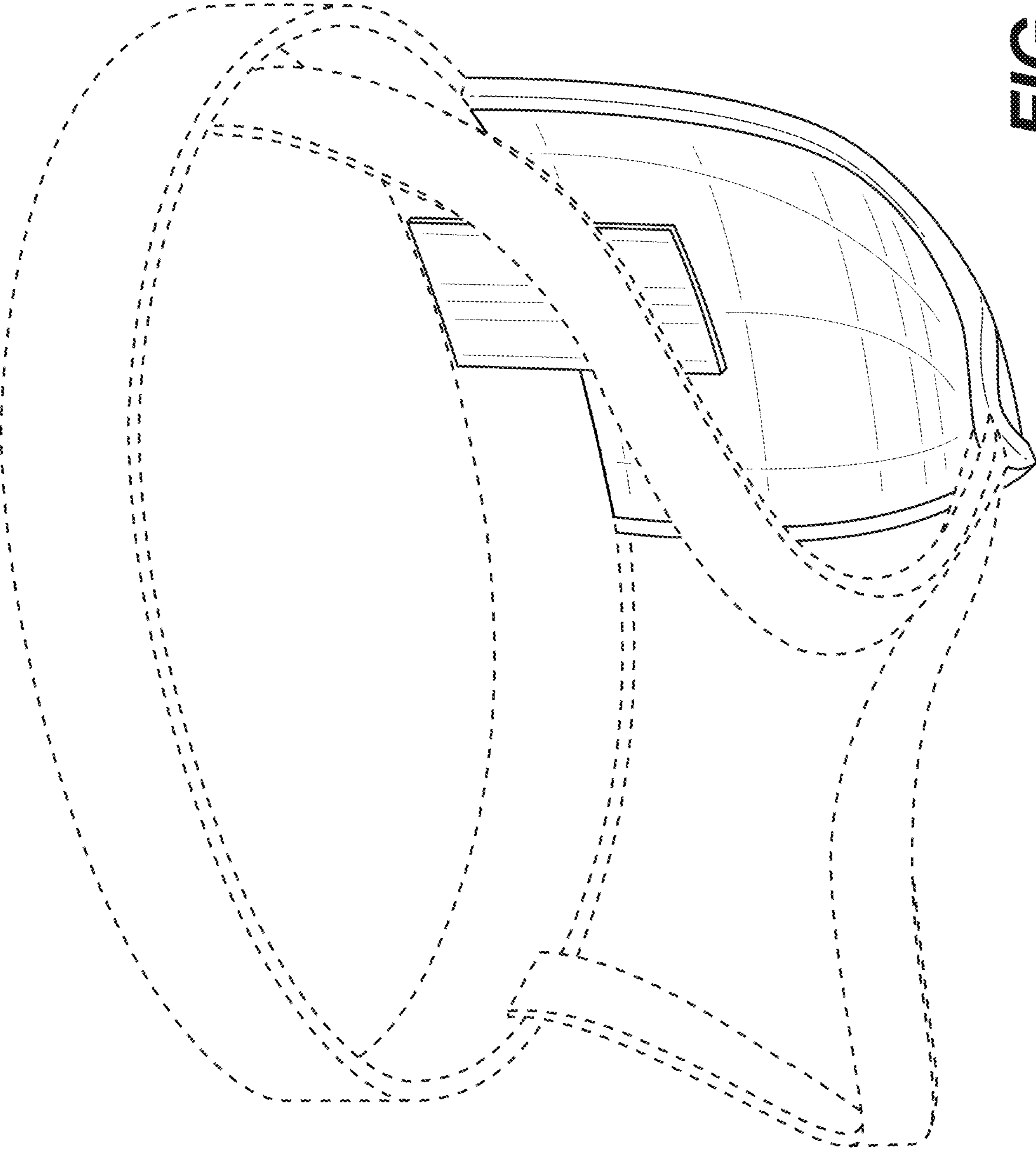
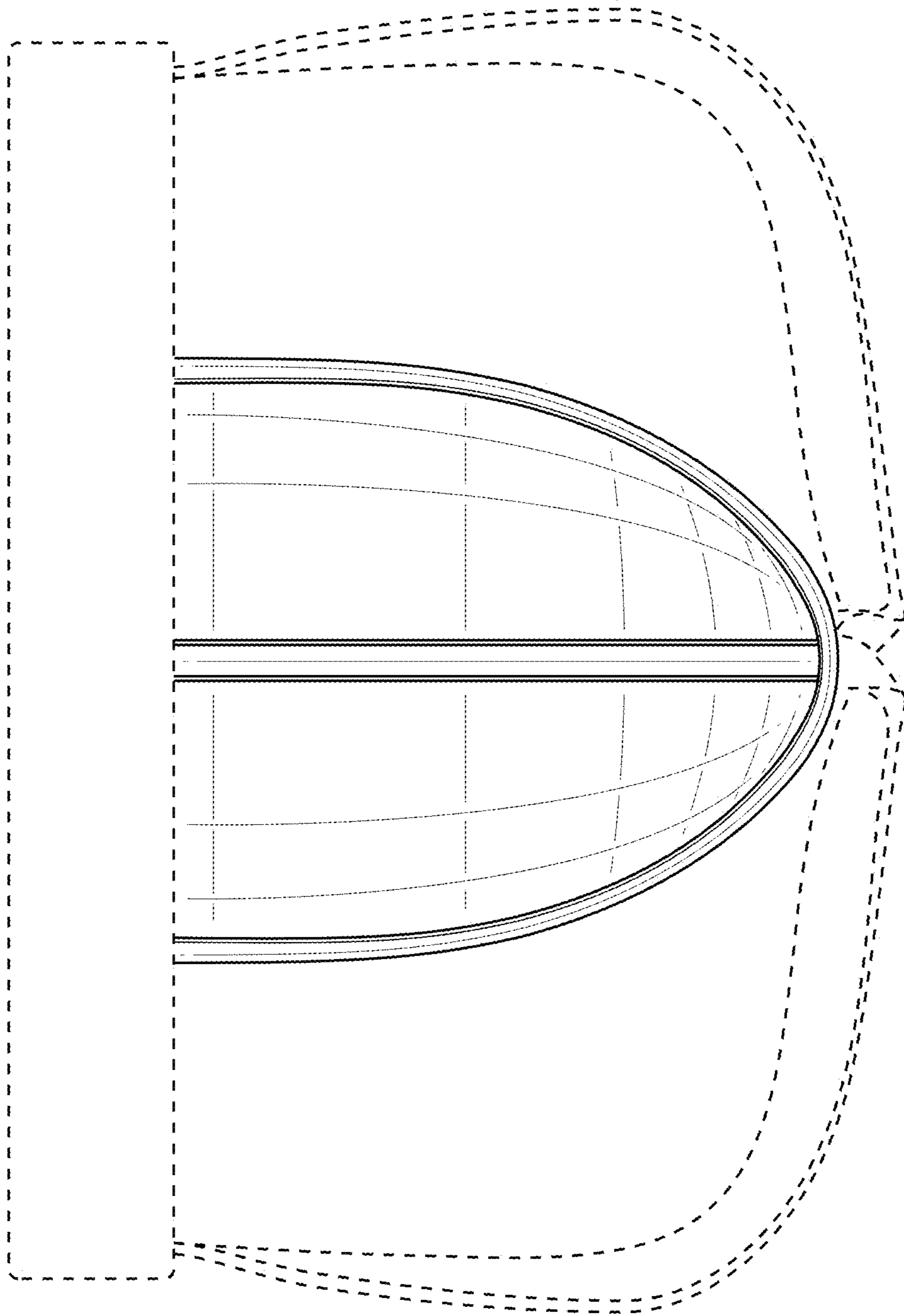
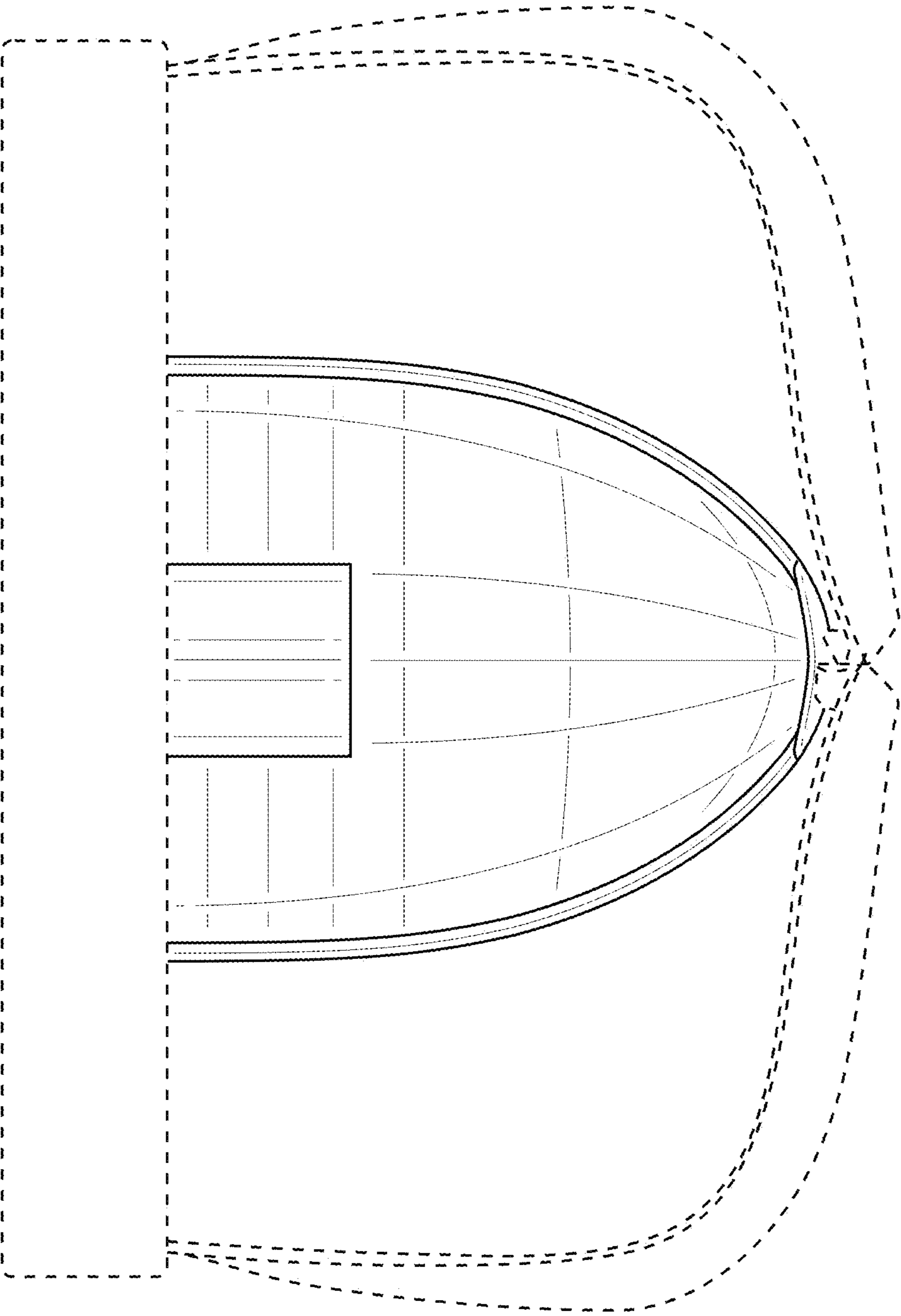


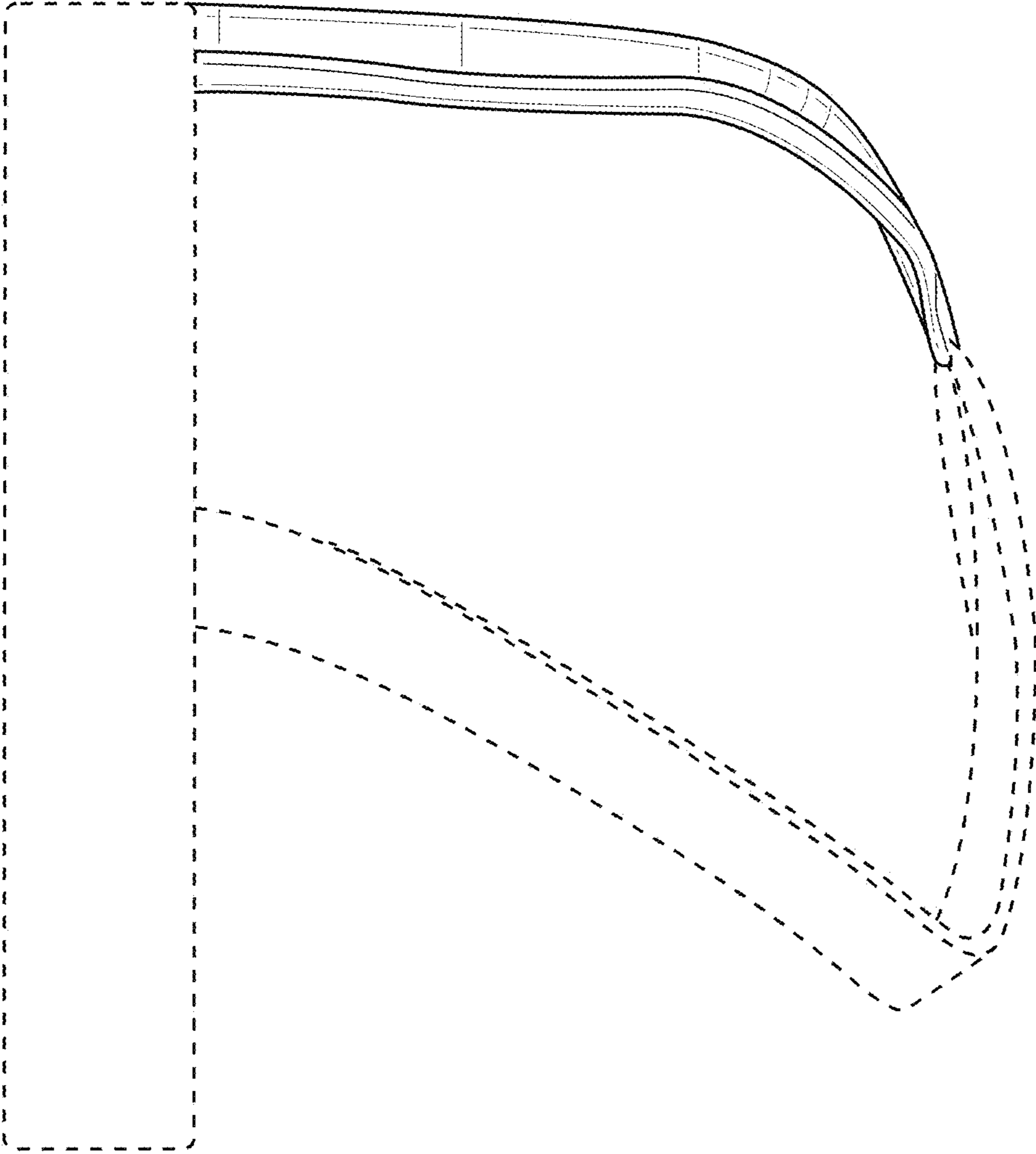
FIG. 2



**FIG. 3**

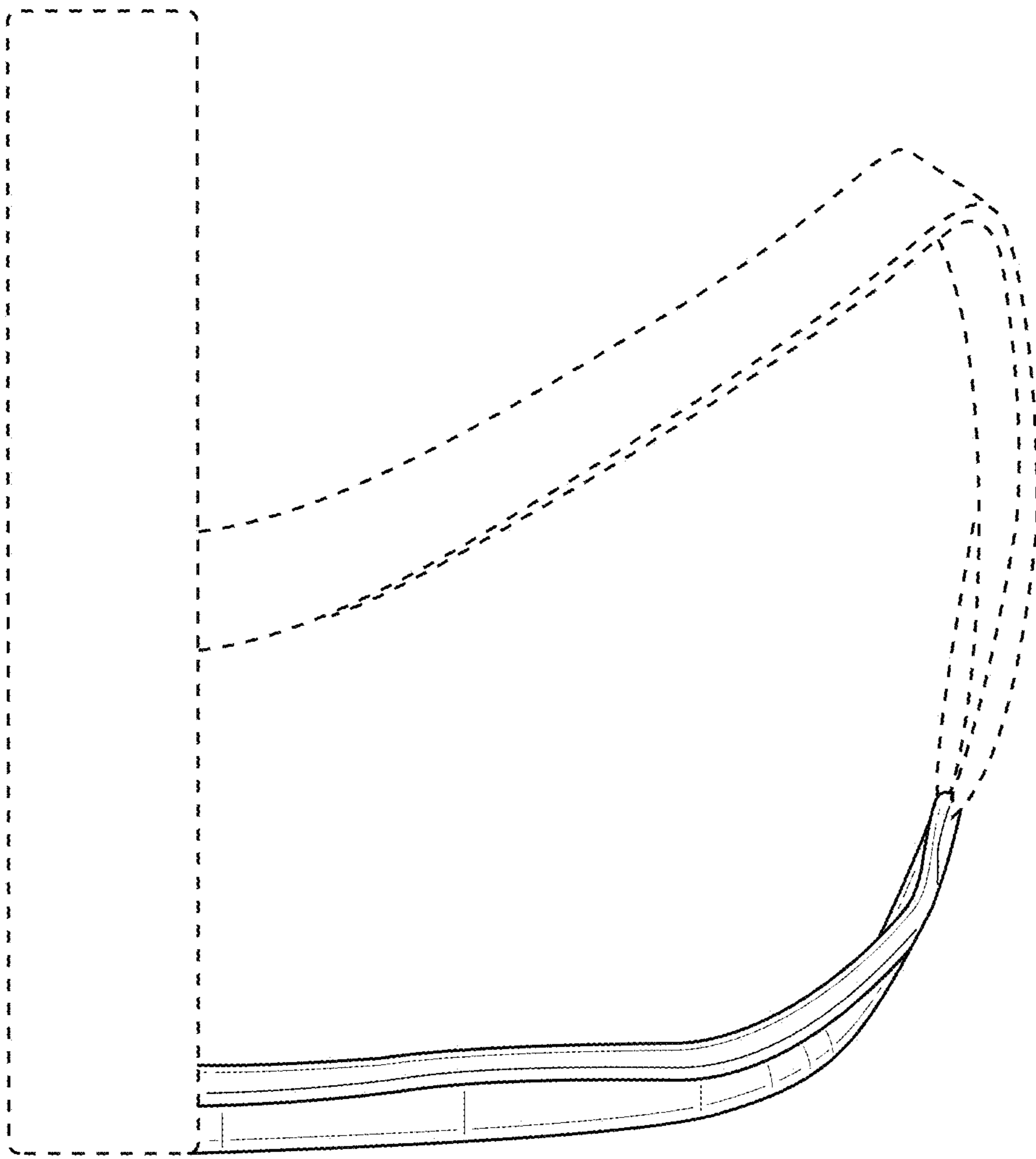


**FIG. 4**

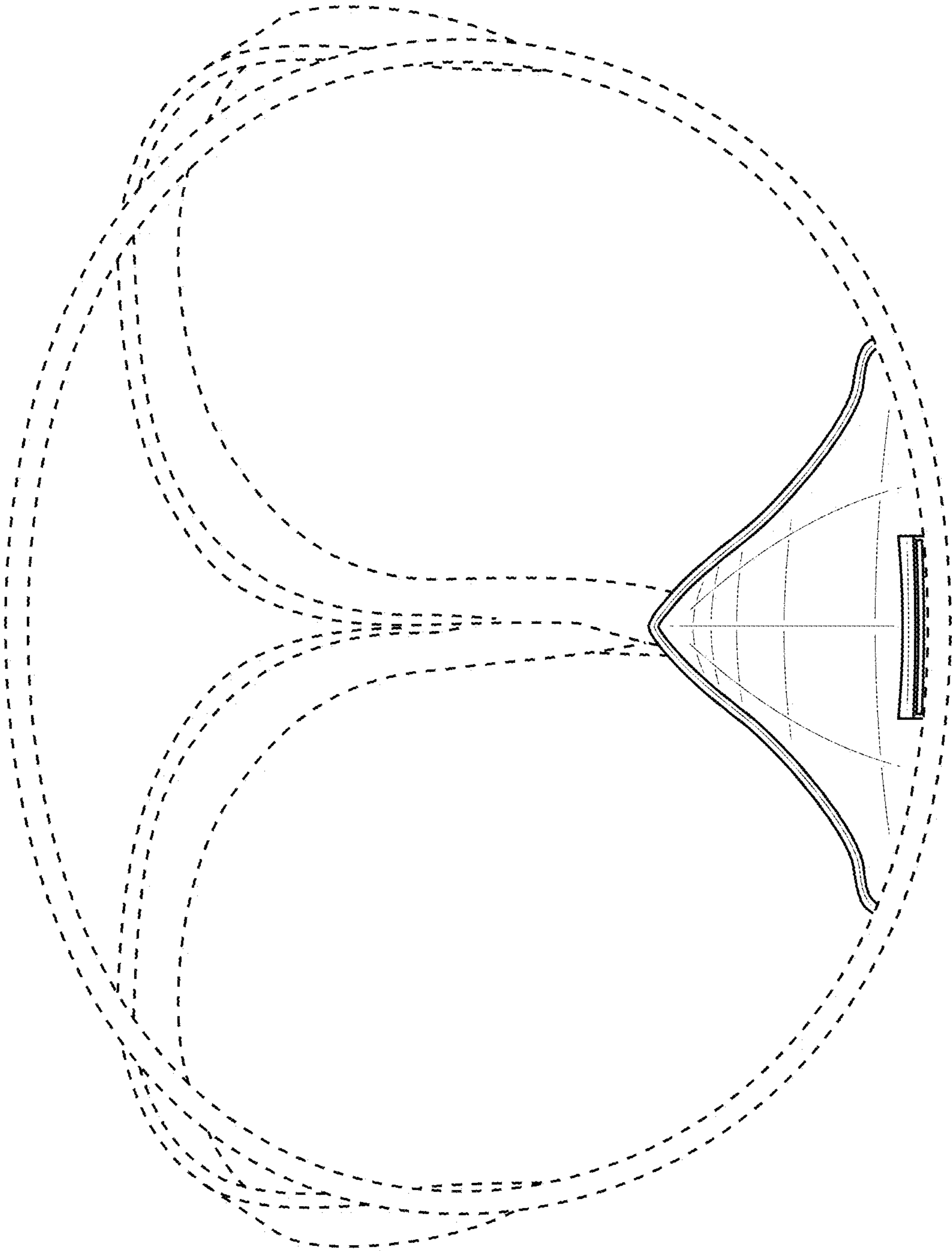


**FIG. 5**

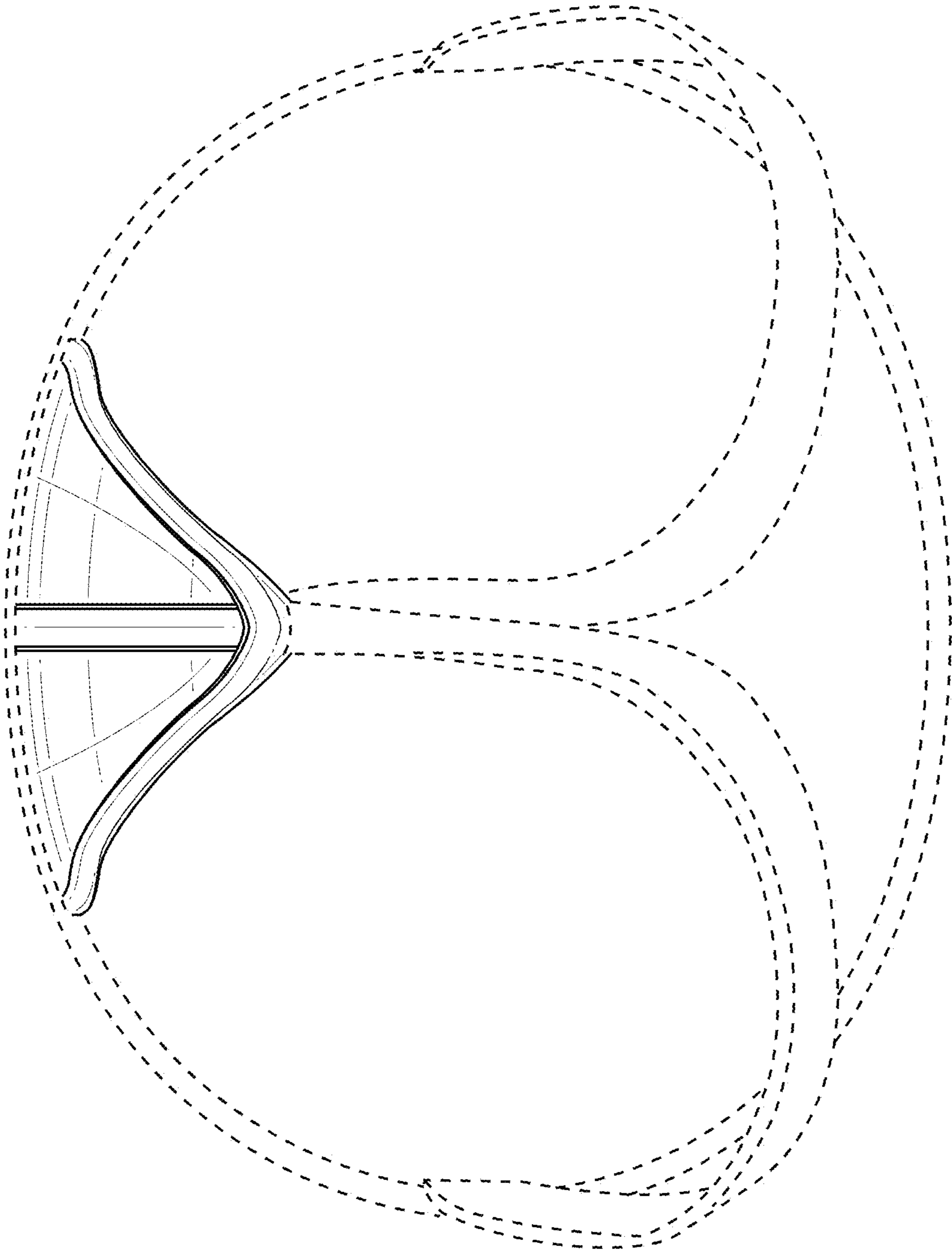




**FIG. 6**



**FIG. 7**



**FIG. 8**