



US00D972246S

(12) **United States Design Patent** (10) **Patent No.:** **US D972,246 S**
Jiang (45) **Date of Patent:** **** Dec. 6, 2022**

(54) **HOME GYM STORAGE RACK**
(71) Applicant: **Chong Jiang**, Shenzhen (CN)
(72) Inventor: **Chong Jiang**, Shenzhen (CN)
(73) Assignee: **Chong Jiang**, Shenzhen (CN)
(**) Term: **15 Years**

D937,018 S 11/2021 Liu
D955,083 S * 6/2022 Au D34/21
D957,783 S * 7/2022 Chiao D34/21
2005/0285361 A1 * 12/2005 Gregory B62B 3/005
280/47.35
2013/0026120 A1 * 1/2013 Johnson B65H 67/085
211/85.5

(21) Appl. No.: **29/845,416**
(22) Filed: **Jul. 7, 2022**
(51) **LOC (13) Cl.** **12-02**
(52) **U.S. Cl.**
USPC **D34/21**
(58) **Field of Classification Search**
USPC D34/12, 14, 20, 21; D6/675.2, 678.2;
211/13.1, 74, 60.1
CPC B62B 3/002; B62B 3/006; B62B 3/02;
B62B 3/10; B62B 3/022; B62B 3/001;
B62B 3/067; B62B 3/12; B62B 1/00;
B62B 1/008; B62B 1/12; B62B 5/003;
B62B 5/0083; B62B 5/0438
See application file for complete search history.

(56) **References Cited**

U.S. PATENT DOCUMENTS

D301,790 S * 6/1989 Ivano D34/21
D430,375 S * 8/2000 Tezak B65H 67/085
D34/21
D609,422 S * 2/2010 Mulka D34/21
D636,550 S * 4/2011 Molayem D34/21
D657,110 S * 4/2012 Schlomann D34/21
D678,640 S * 3/2013 Es D34/21
D678,641 S * 3/2013 Es D34/21
D679,470 S * 4/2013 Es D34/21
D776,391 S * 1/2017 Daniell D34/21
D808,202 S * 1/2018 Hawkins D6/675.2
D918,518 S * 5/2021 Li B62B 3/005
D34/12

OTHER PUBLICATIONS

Mdesignhomedecor.com Oct. 12, 2022, heavy duty metal garage sports storage rack, <https://mdesignhomedecor.com/products/heavy-duty-garage-sports-storage-rack-asm-33825> (Year: 2022).
Ubuy.co.id Oct. 12, 2022, garage sports equipment storage organizer, <https://www.ubuy.co.id/en/product/1AEOZEDG8-balls-storage-rolling-sports-balls-cart-sport-ball-rack-for-garage-balls-organizer-2-wire-ball-bin-with-2-layers-baskets-sports-equipment-storage> (Year: 2022).*

(Continued)

Primary Examiner — Cynthia Ramirez
(74) *Attorney, Agent, or Firm* — Nitin Kaushik

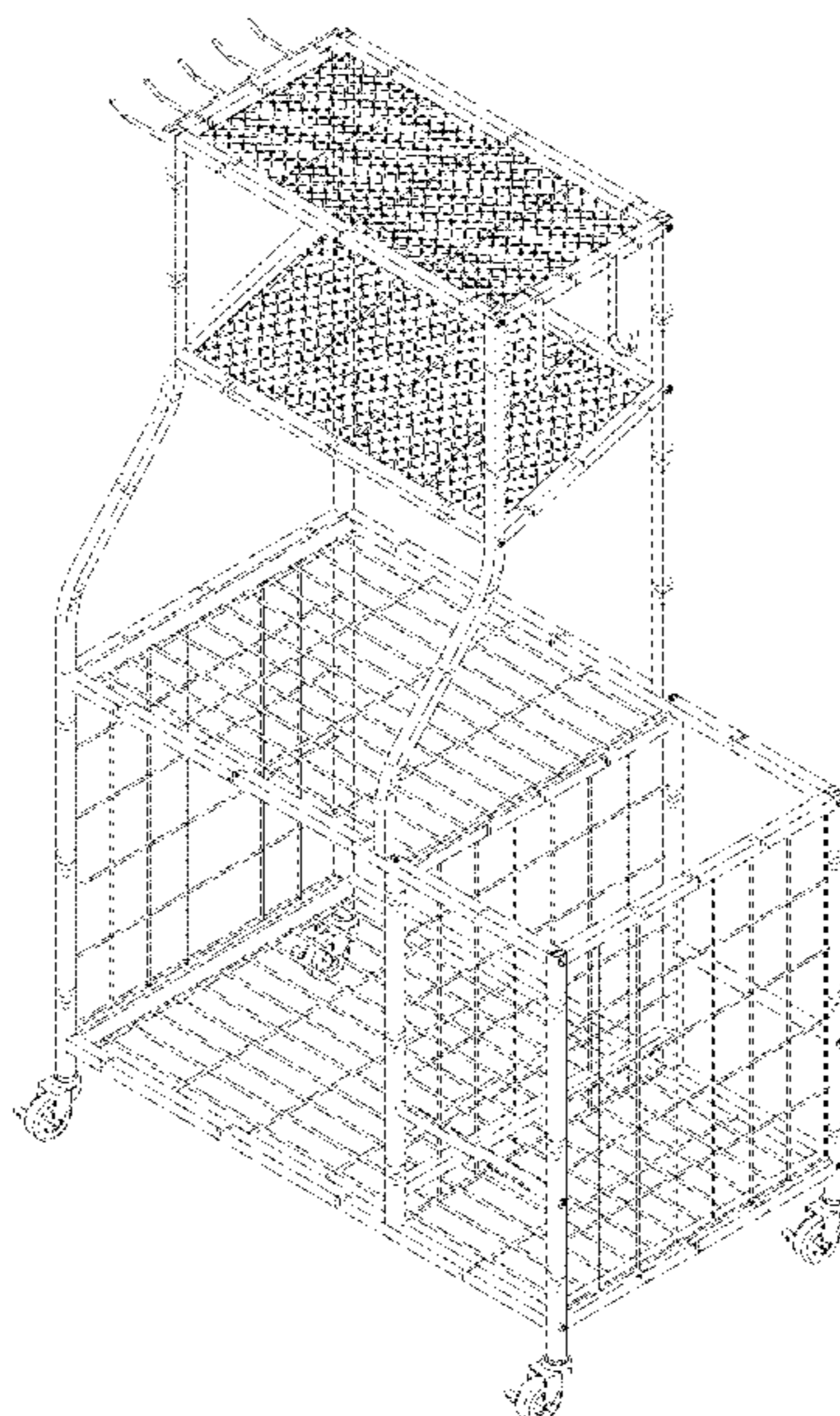
(57) **CLAIM**

The ornamental design for a home gym storage rack, as shown and described.

DESCRIPTION

FIG. 1 is a front perspective view of a home gym storage rack, showing my new design;
FIG. 2 is a front view thereof;
FIG. 3 is a rear view thereof;
FIG. 4 is a left side view thereof;
FIG. 5 is a right side view thereof;
FIG. 6 is a top view thereof; and,
FIG. 7 is a bottom view thereof.

1 Claim, 7 Drawing Sheets



(56)

References Cited

OTHER PUBLICATIONS

homedepot.com Oct. 12, 2022, 3 Tier yoga mat home gym storage rack, <https://www.homedepot.com/p/LTMATE-3-Tier-Yoga-Mat-Home-Gym-Storage-Rack-HDM721/320446389> (Year: 2022).*

Amazon.com Oct. 12, 2022, mythinglogic yoga mat storage racks, home gym storage rack, <https://www.amazon.com/Mythinglogic-Dumbbells-Kettlebells-Resistance-Equipment/dp/BOB8QZMTYP> (Year: 2022).*

* cited by examiner

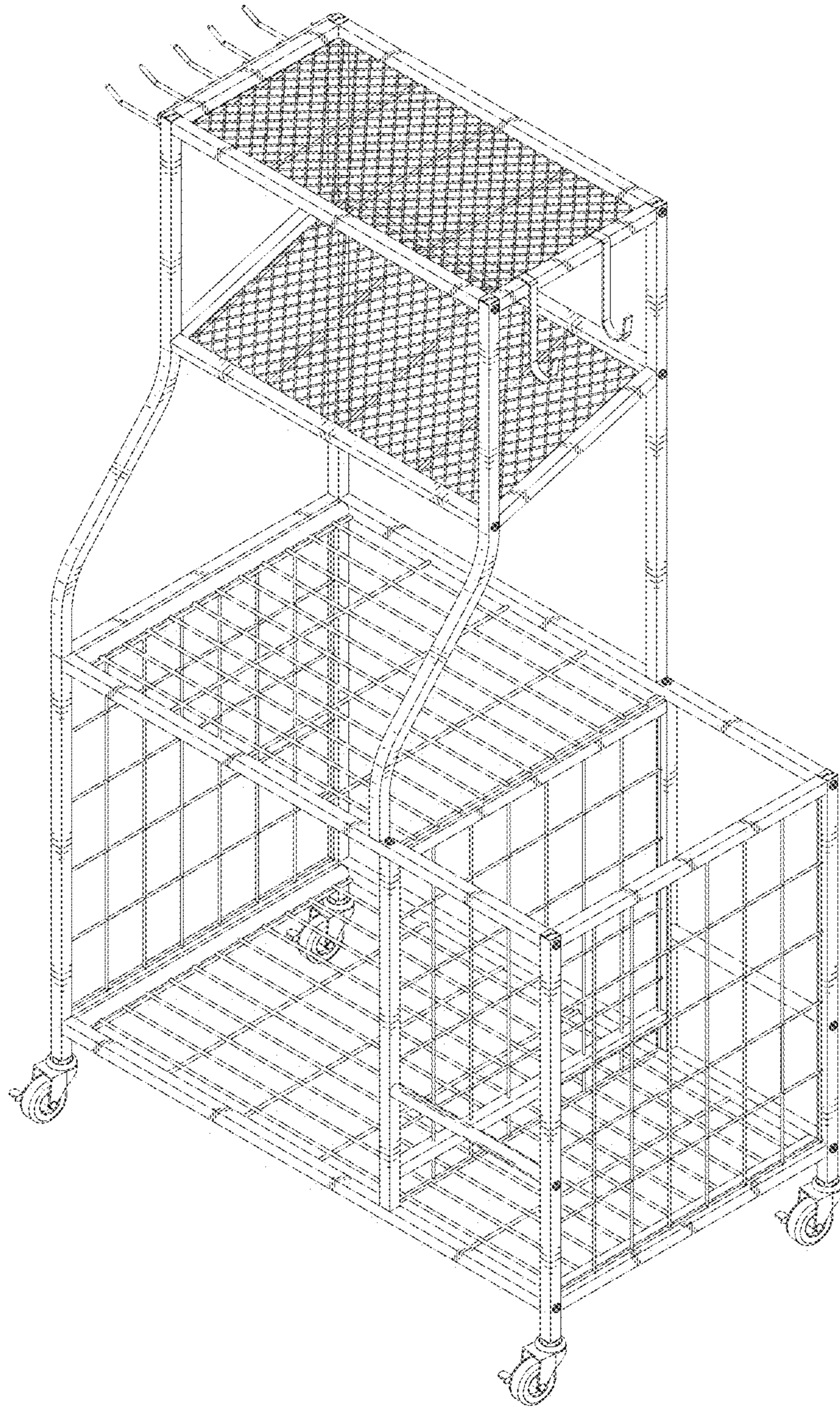


FIG. 1

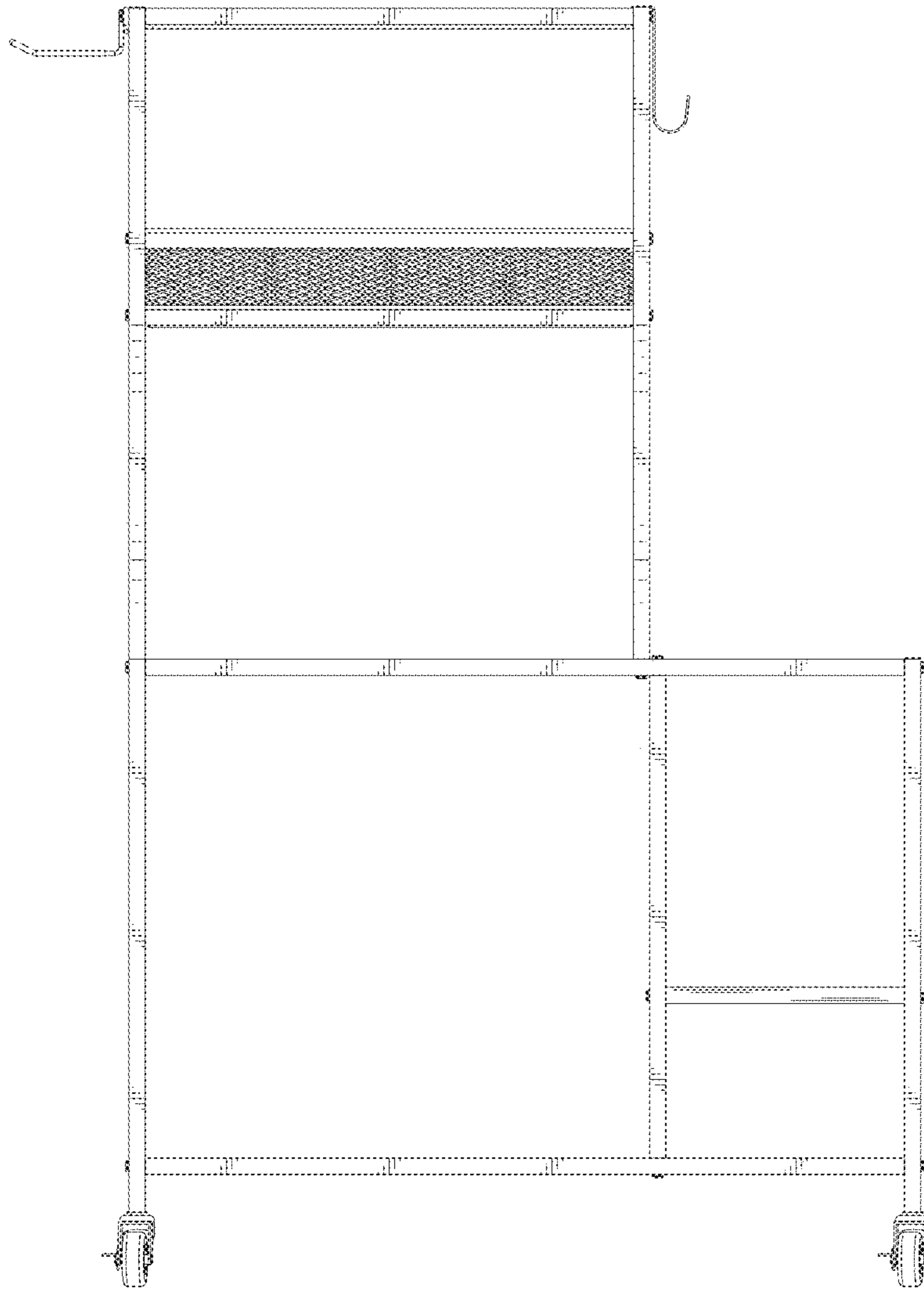


FIG. 2

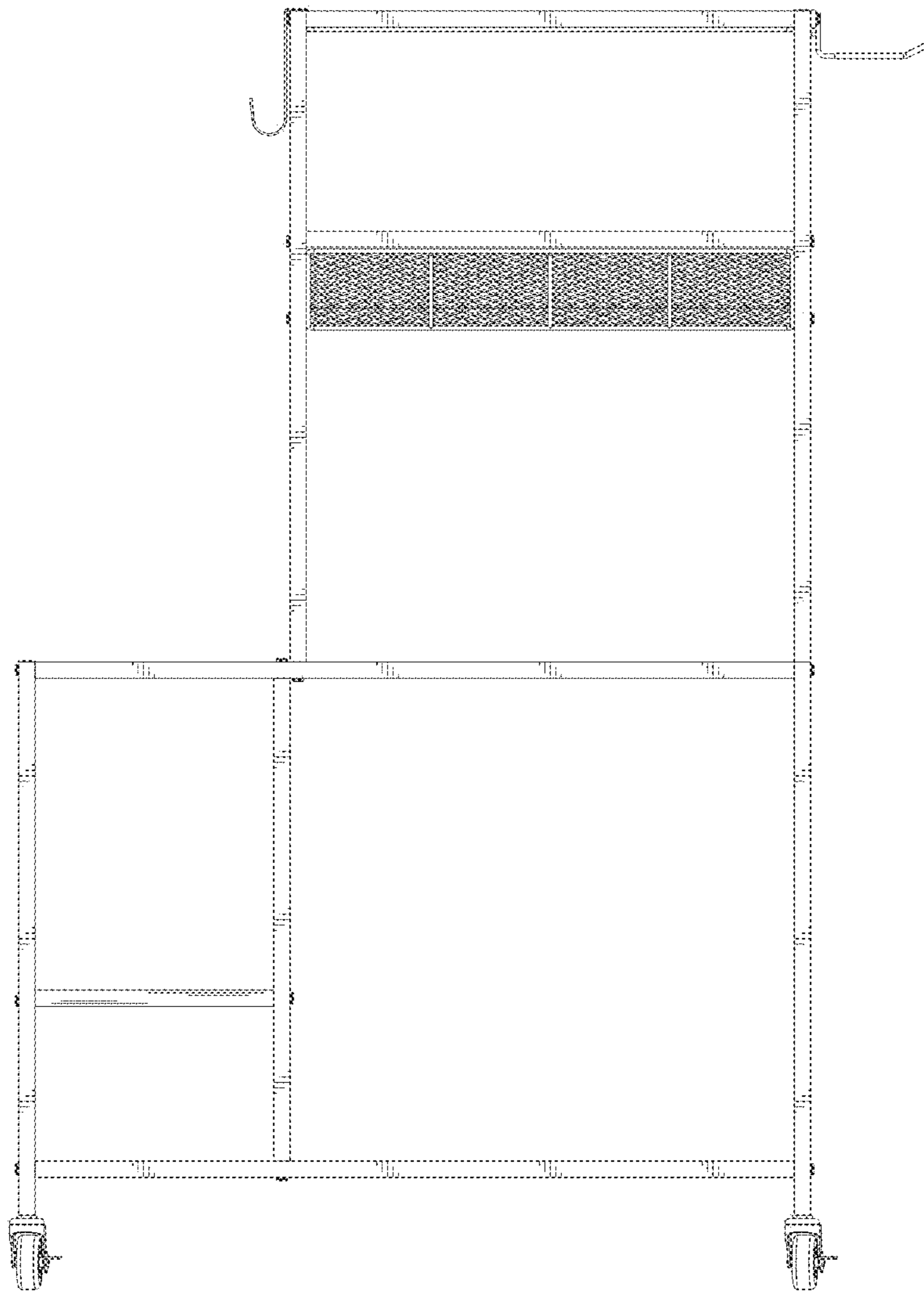


FIG. 3

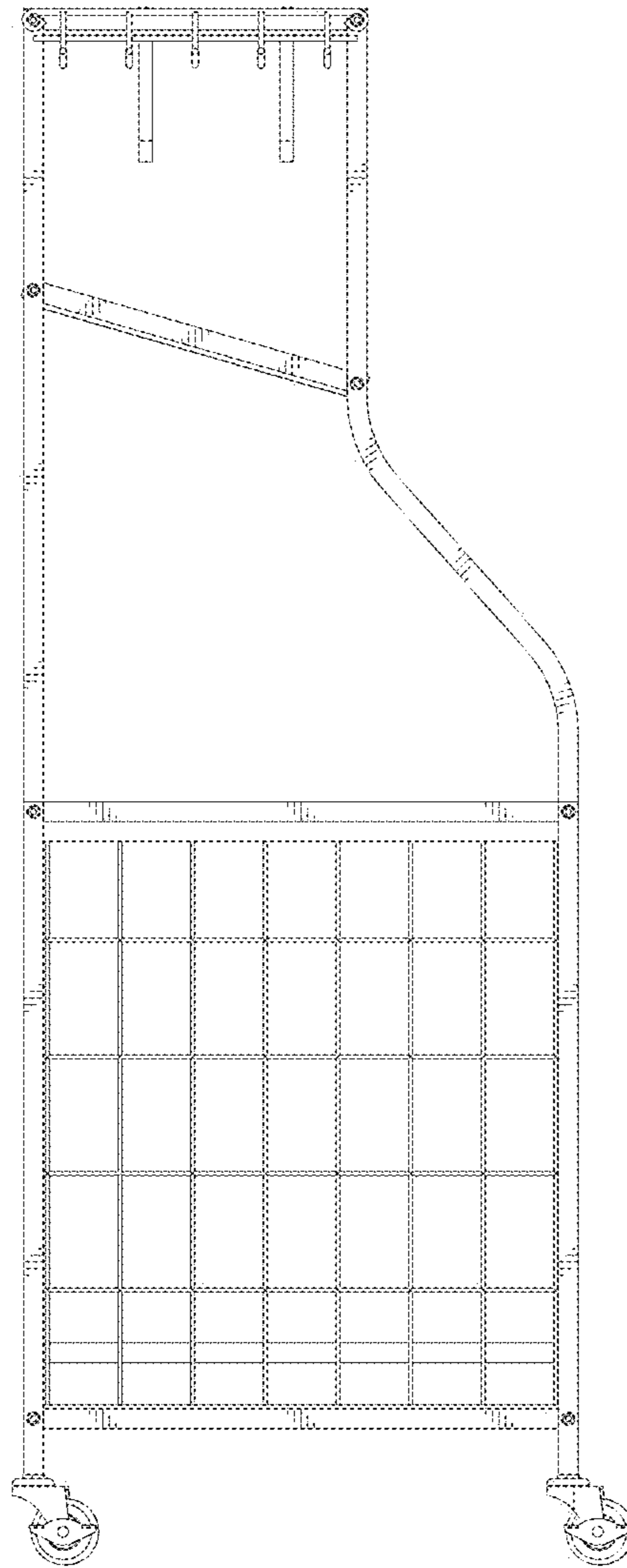


FIG. 4

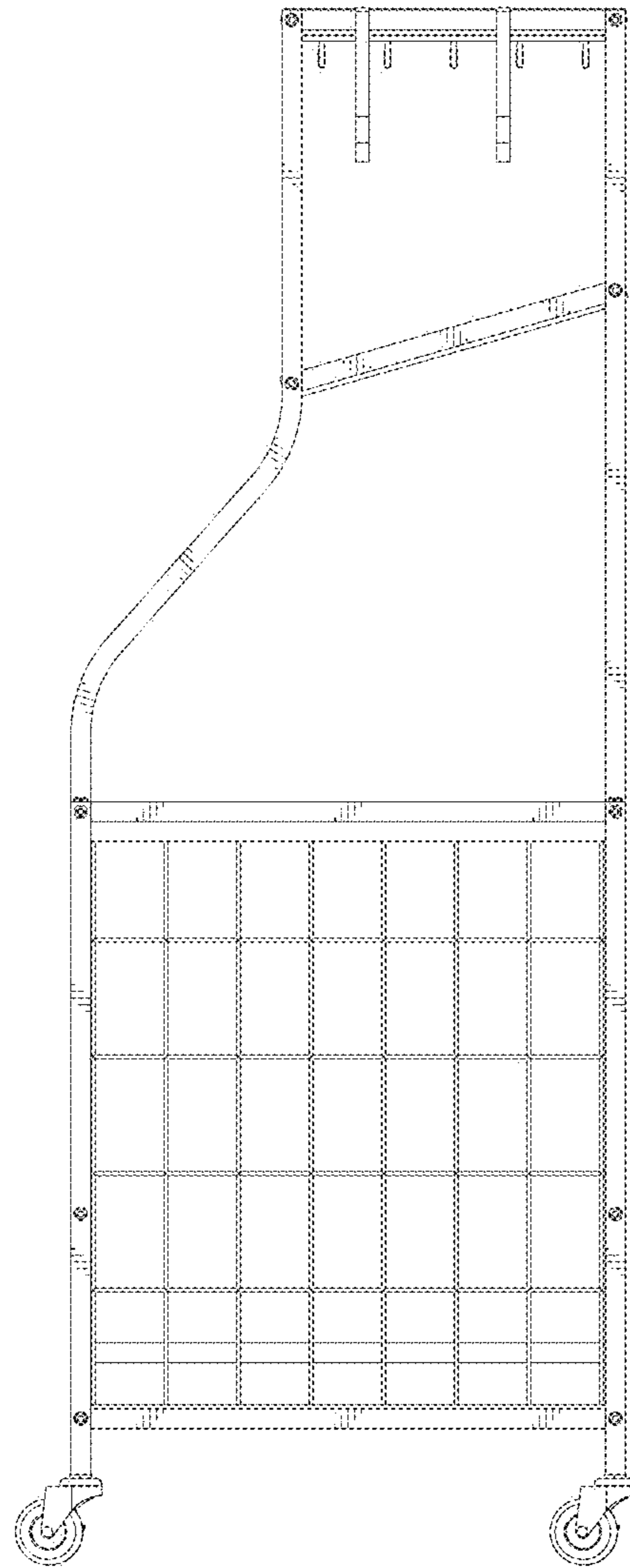


FIG. 5

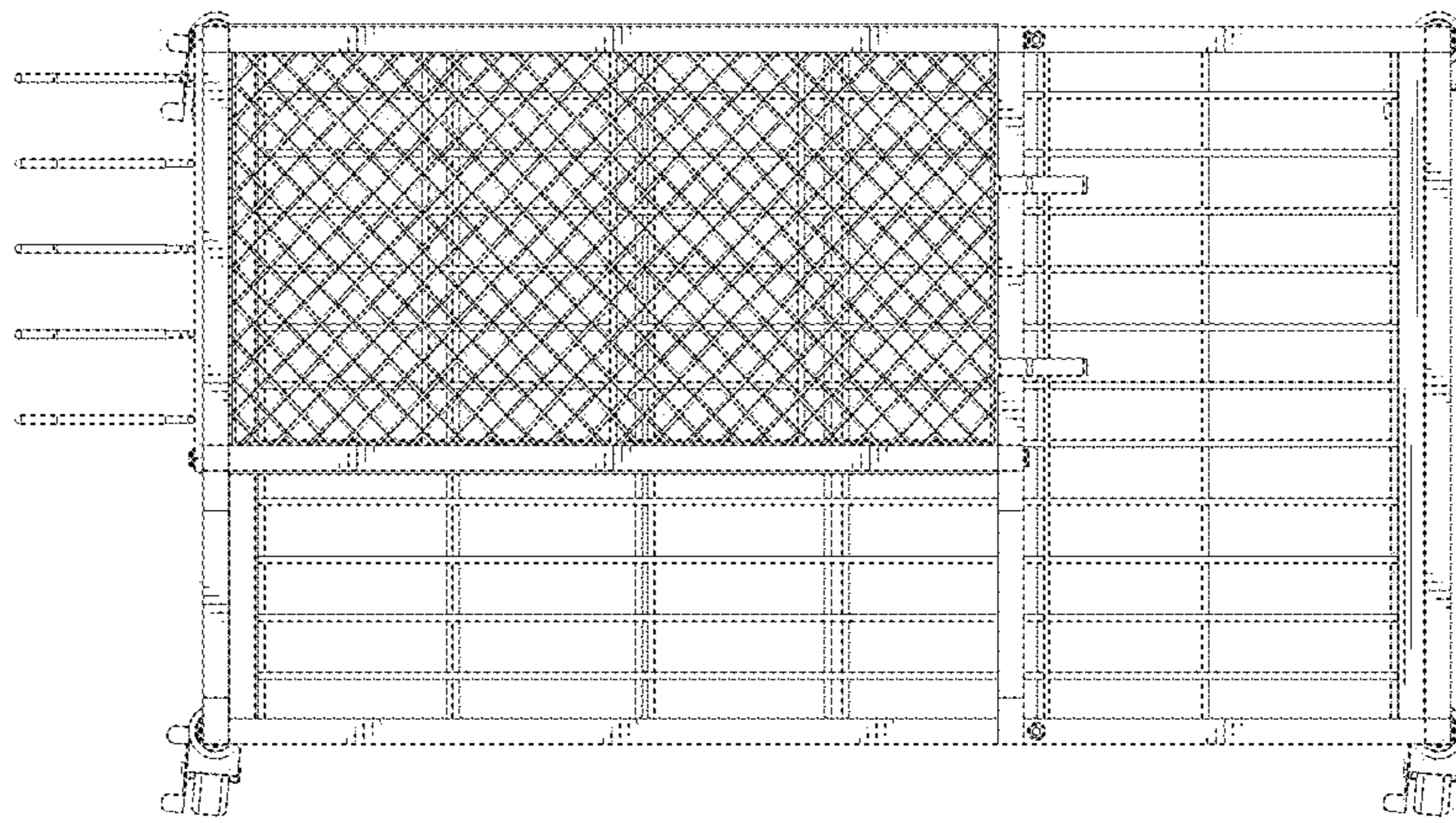


FIG. 6

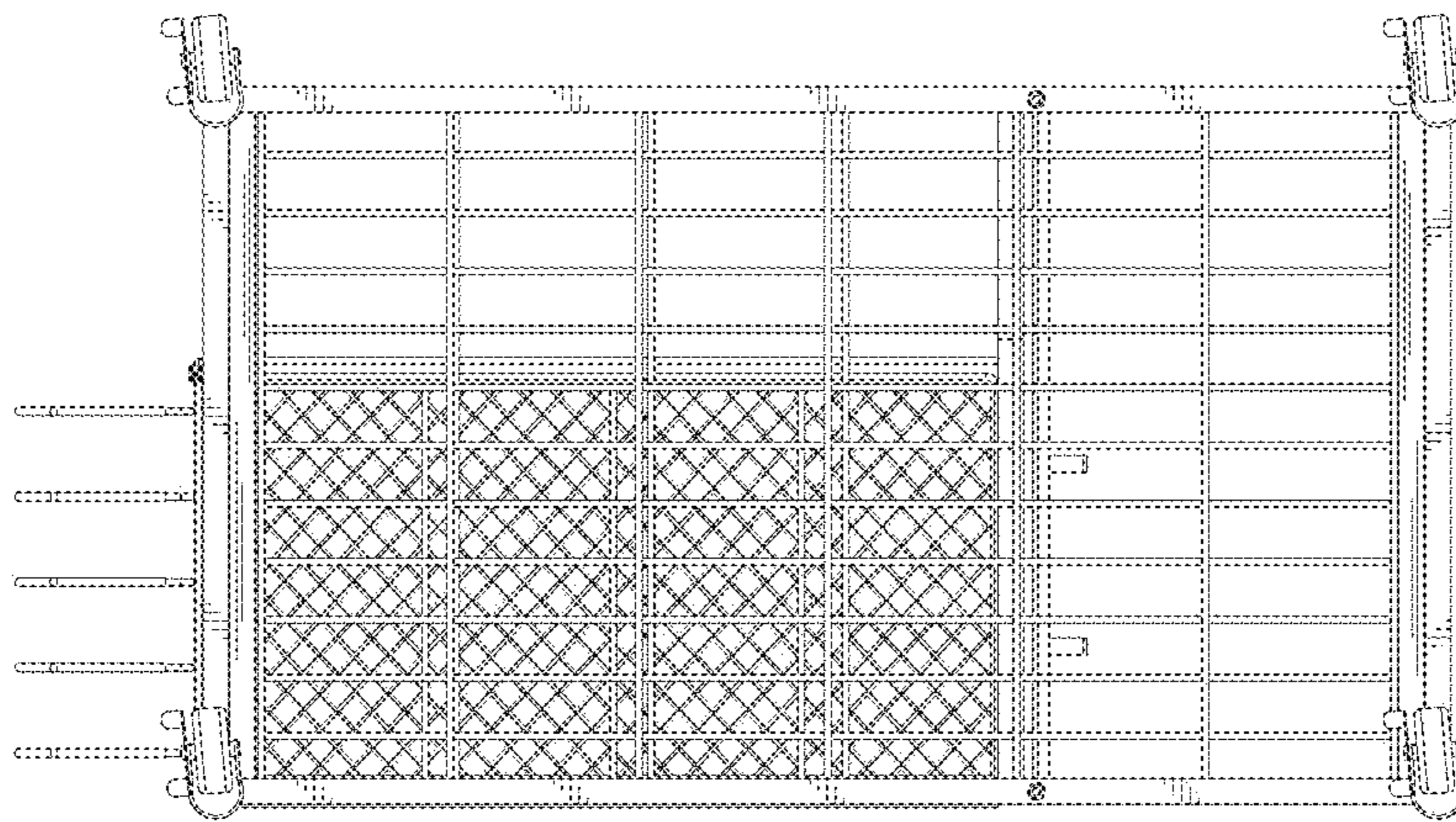


FIG. 7