



US00D972244S

(12) **United States Design Patent** (10) **Patent No.:** **US D972,244 S**  
**Dunn et al.** (45) **Date of Patent:** **\*\* Dec. 6, 2022**

(54) **SPONGE**  
(71) Applicant: **MUNCHKIN, INC.**, Van Nuys, CA (US)  
(72) Inventors: **Steven Bryan Dunn**, Beverly Hills, CA (US); **Matthew Joseph Saxton**, Moorpark, CA (US); **Kwok Ping Kuen**, Kowloon (CN)  
(73) Assignee: **MUNCHKIN, INC.**, Van Nuys (CA)  
(\*\*) Term: **15 Years**  
(21) Appl. No.: **29/777,635**  
(22) Filed: **Apr. 7, 2021**

**Related U.S. Application Data**

(63) Continuation-in-part of application No. 17/177,139, filed on Feb. 16, 2021, now Pat. No. 11,185,208.  
(51) **LOC (13) Cl.** ..... **07-05**  
(52) **U.S. Cl.**  
USPC ..... **D32/40**  
(58) **Field of Classification Search**  
USPC ..... D32/46-49, 40-43; D6/583; D28/8.1  
CPC . A47L 1/16; A47L 13/06; A47L 13/46; A47L 1/12; A47L 1/15; A47J 43/288  
See application file for complete search history.

**References Cited**

**U.S. PATENT DOCUMENTS**

D315,236 S \* 3/1991 Kraselsky ..... D32/42  
D379,697 S \* 6/1997 Freudenberg ..... D32/40  
D379,698 S \* 6/1997 Freudenberg ..... D32/40  
D452,756 S \* 1/2002 Neergaard ..... D28/8.1  
D465,303 S \* 11/2002 Friesenhahn ..... D28/8.1  
D568,566 S \* 5/2008 Gabbour ..... D32/40  
D632,843 S \* 2/2011 Wilson ..... D28/8.1  
D640,851 S \* 6/2011 Ogilvie ..... D32/40  
D650,524 S \* 12/2011 Wilson ..... D28/8.1

D661,444 S \* 6/2012 Davis ..... D32/43  
8,684,619 B2 4/2014 Uchiyama et al.  
D706,488 S \* 6/2014 Forrest ..... D28/63  
D735,310 S \* 7/2015 Drew ..... D23/365  
D765,328 S \* 8/2016 Brown ..... D32/40  
D768,926 S \* 10/2016 Dietvorst ..... D28/8.1  
9,707,988 B1 7/2017 Chanatski  
D803,651 S \* 11/2017 Umbrell ..... D32/40  
D838,422 S \* 1/2019 Zimmerman ..... D32/40  
D873,517 S \* 1/2020 Zu ..... D32/40  
D876,194 S \* 2/2020 Jung ..... D32/40  
D921,287 S \* 6/2021 de Boer ..... D28/8.1  
2008/0205965 A1 8/2008 Laflamme et al.  
2015/0066083 A1 3/2015 Ramos  
2018/0098653 A1 4/2018 Pinchuk

**OTHER PUBLICATIONS**

How to make a Magnetic Scrubber, Instructables website comments 2015, site visited Mar. 12, 2022, <https://www.instructables.com/Magnetic-Scrubber-That-Can-Clean-the-Insides-of-Va/>.\*

\* cited by examiner

*Primary Examiner* — John R Yeh

(74) *Attorney, Agent, or Firm* — Robert Z. Evora, Esq.

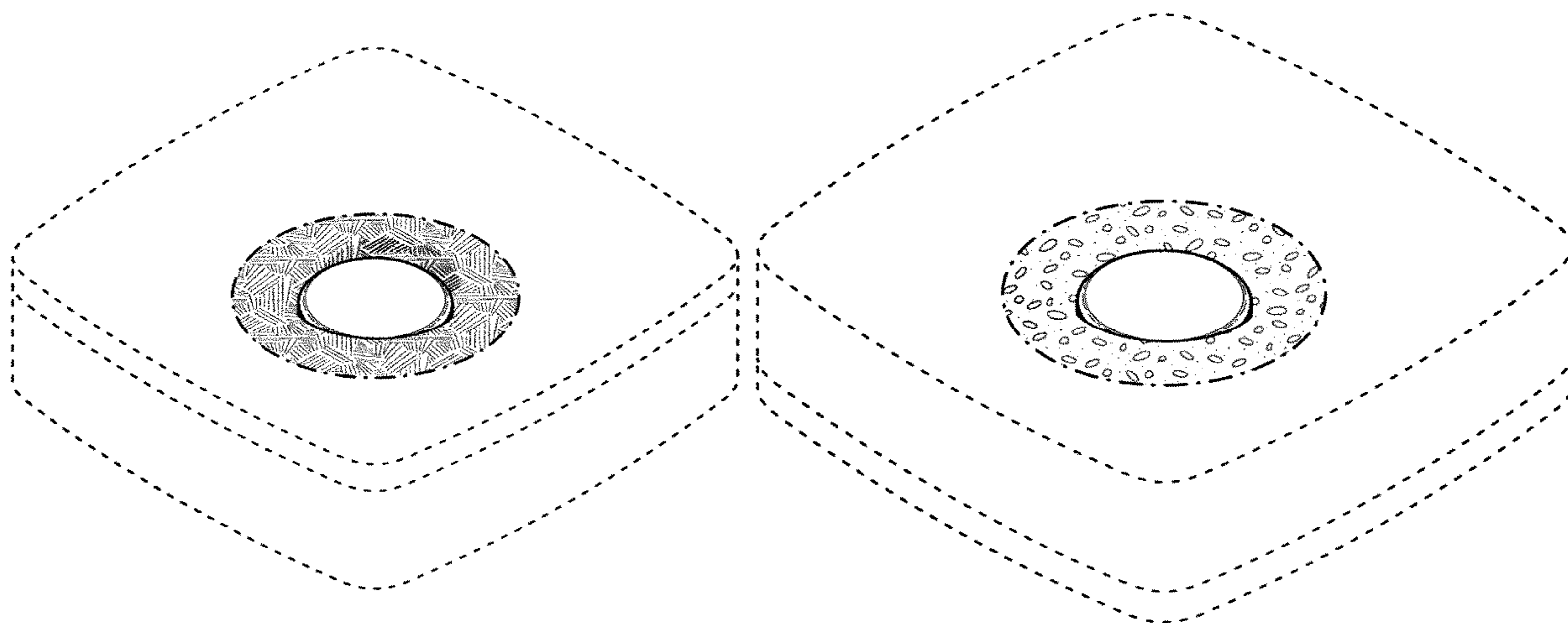
(57) **CLAIM**

The ornamental design for a sponge, as shown and described.

**DESCRIPTION**

FIG. 1 is an upper perspective view of a sponge of our new design;  
FIG. 2 is a bottom perspective view thereof;  
FIG. 3 is a top view thereof;  
FIG. 4 is a bottom view thereof; and,  
FIG. 5 is a side view thereof, with all sides a mirror image thereof.  
The broken lines in the drawings depict portions of the sponge that form no part of the claimed design.

**1 Claim, 5 Drawing Sheets**



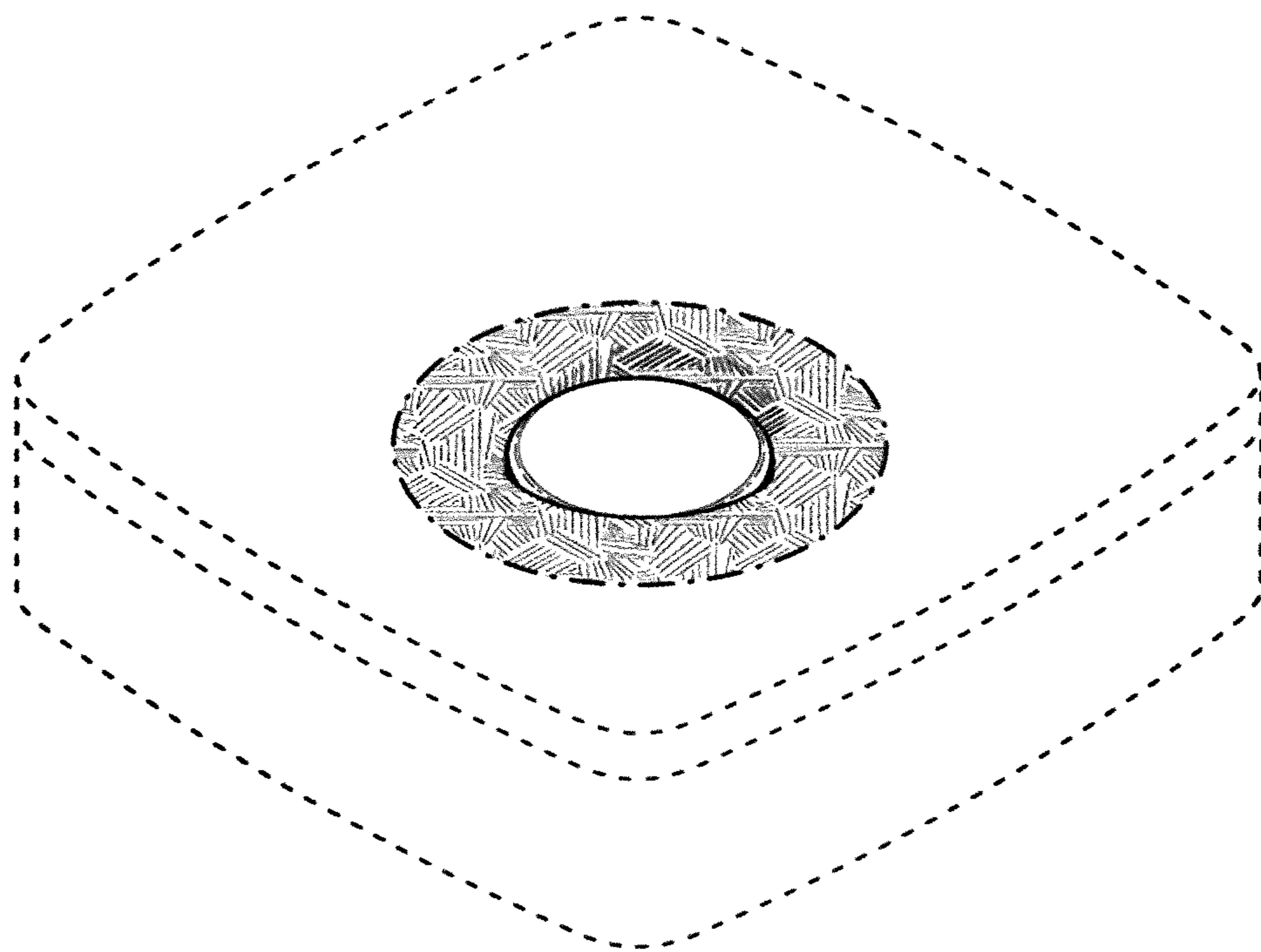


FIG. 1

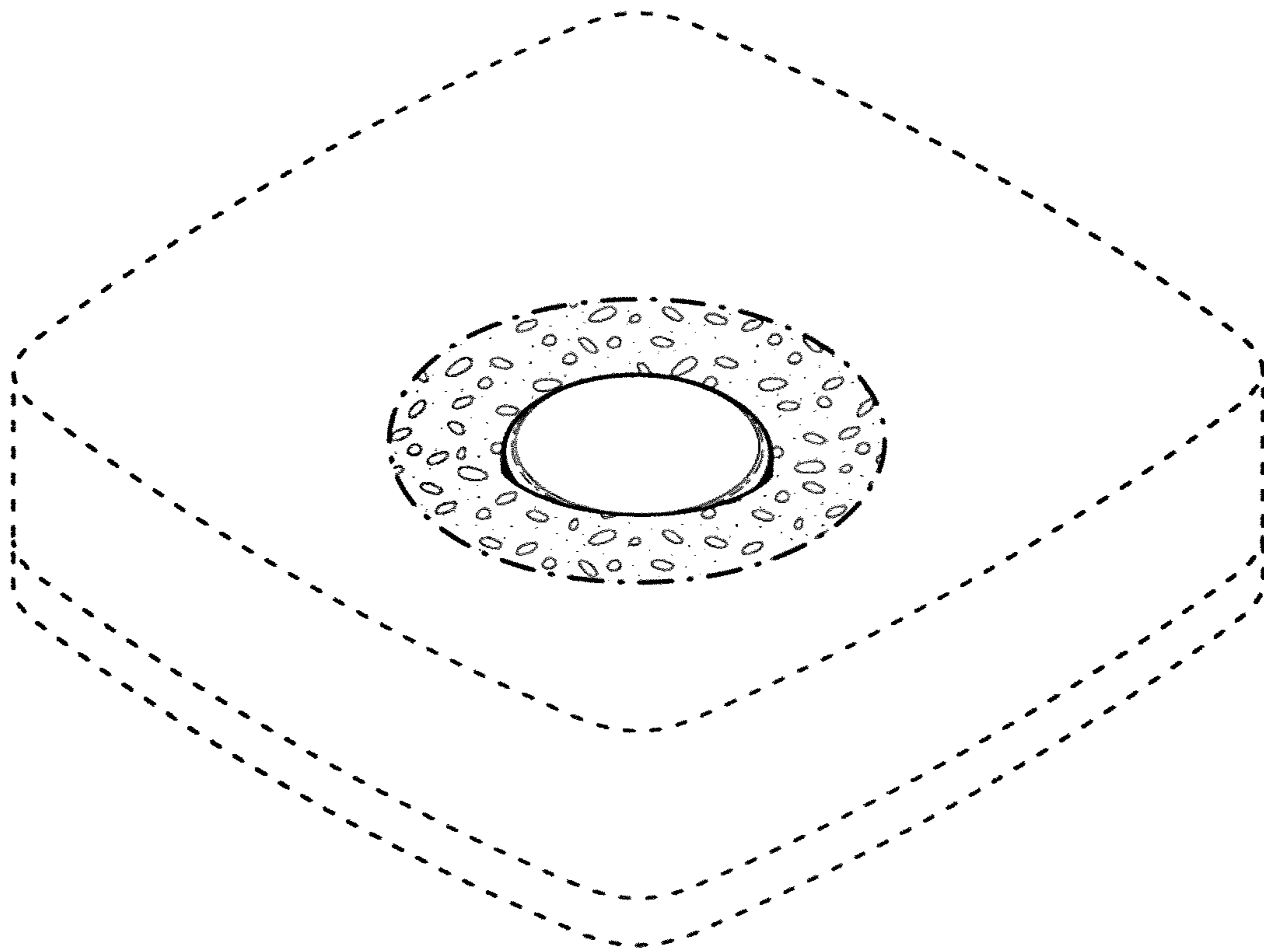


FIG. 2

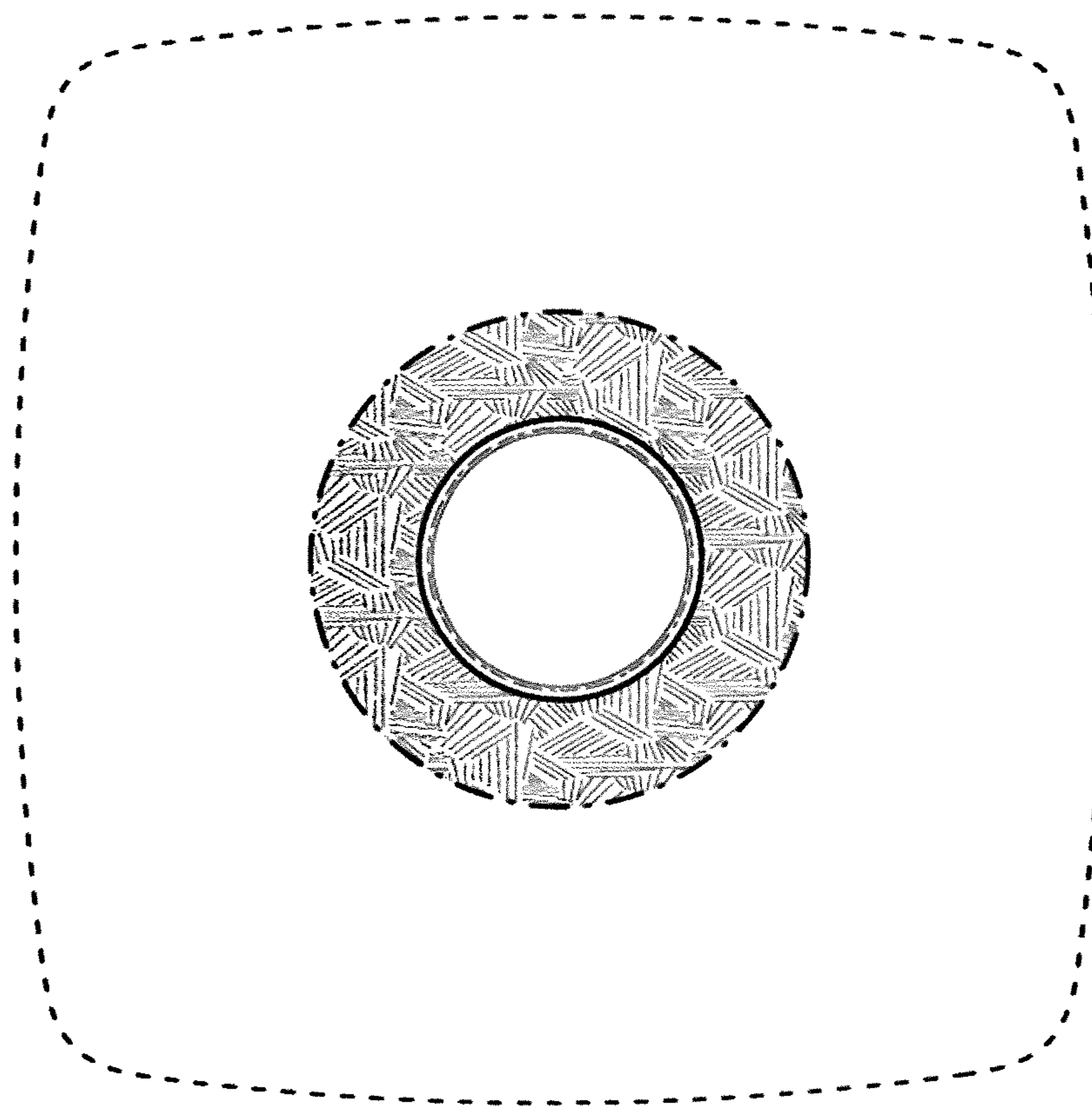


FIG. 3

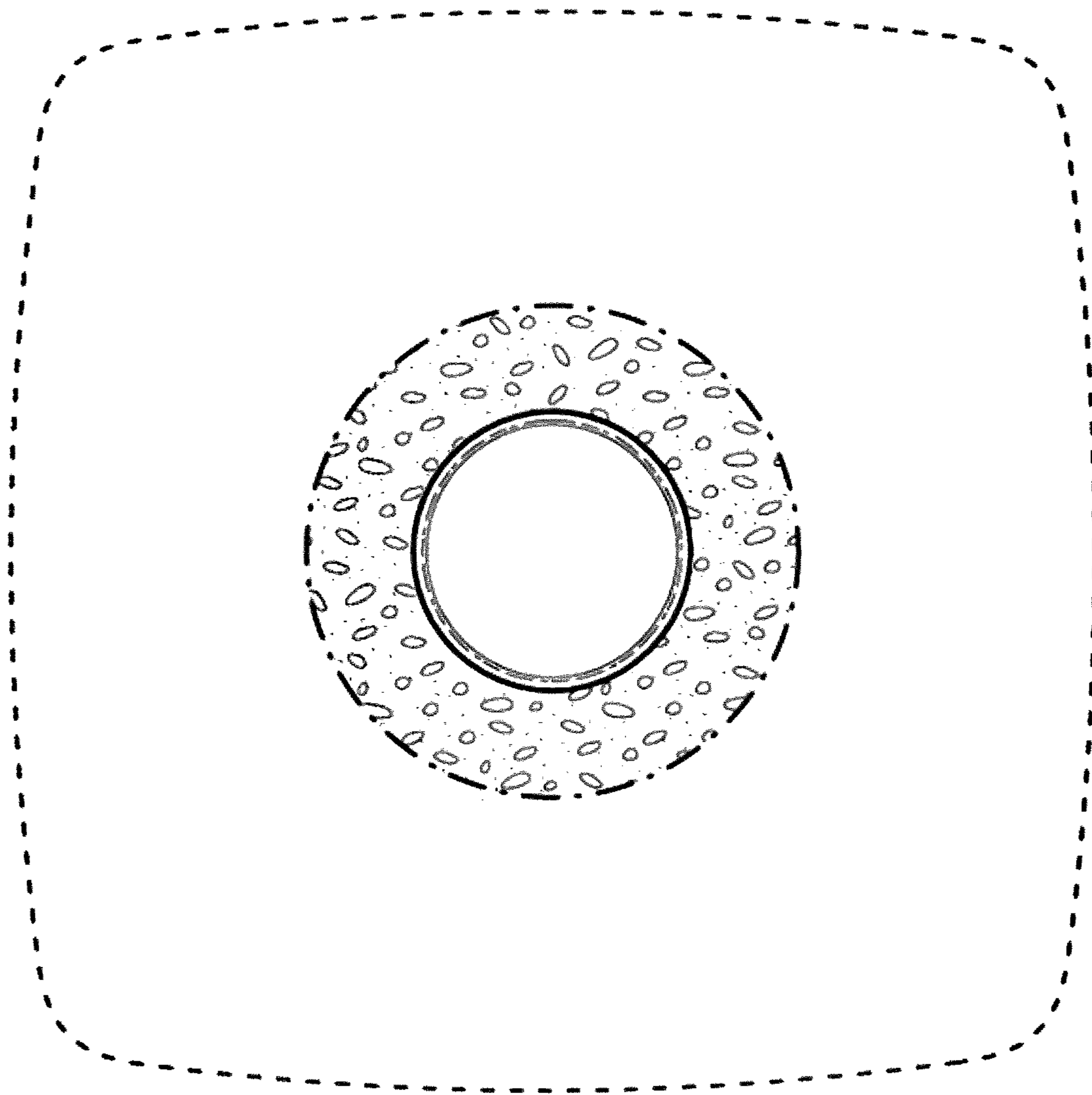


FIG. 4



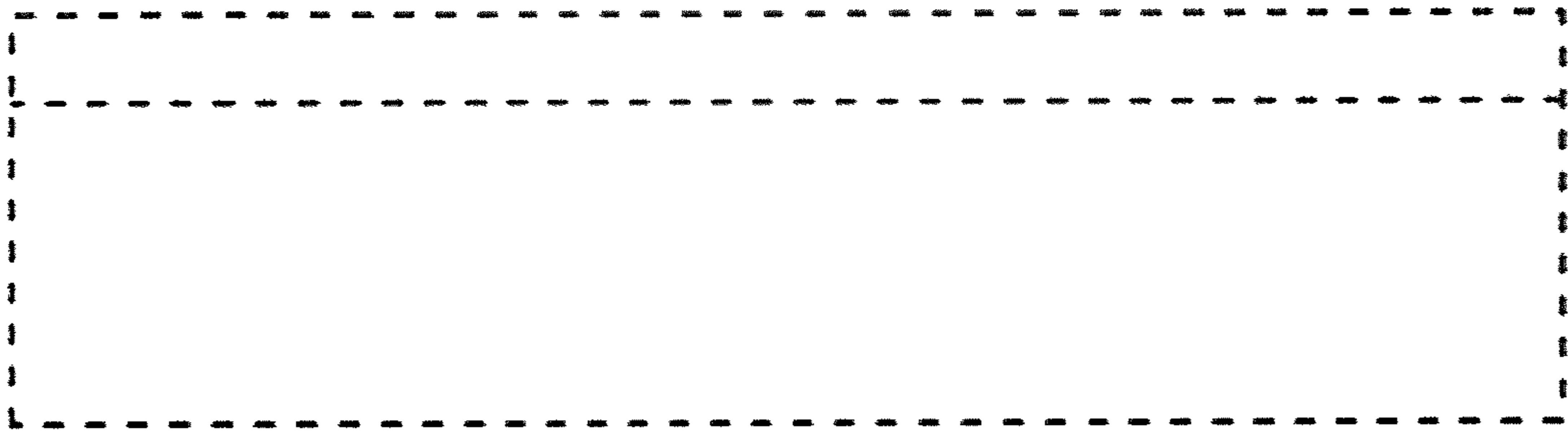


FIG. 5