



US00D972237S

(12) **United States Design Patent** (10) **Patent No.:** **US D972,237 S**  
**Fuller et al.** (45) **Date of Patent:** **\*\* Dec. 6, 2022**

(54) **DISHWASHER**

FOREIGN PATENT DOCUMENTS

(71) Applicant: **WHIRLPOOL CORPORATION**,  
Benton Harbor, MI (US)

CN 304940220 \* 12/2018  
CN 304968286 \* 12/2018

(Continued)

(72) Inventors: **Mallory A. Fuller**, Orland Park, IL  
(US); **Richard L. Hammond**, Grand  
Haven, MI (US); **Michael A. Kahwaji**,  
St. Joseph, MI (US); **Jessica R.**  
**McConnell**, St. Joseph, MI (US);  
**Casey L. McCuan**, Saugatuck, MI  
(US); **Jason W. Tippetts**, Stevensville,  
MI (US); **Ameresh Babu**  
**Viswanathan**, St. Joseph, MI (US)

OTHER PUBLICATIONS

Dishwasher with window, available in [www.moreinspiration.com](http://www.moreinspiration.com),  
announced Sep. 14, 2006 [online], [site visited Mar. 23, 2022],  
Internet URL: [http://www.moreinspiration.com/article/450/dishwasher-](http://www.moreinspiration.com/article/450/dishwasher-with-window)  
[with-window](http://www.moreinspiration.com/article/450/dishwasher-with-window) (Year: 2006).\*

(Continued)

(73) Assignee: **Whirlpool Corporation**, Benton  
Harbor, MI (US)

*Primary Examiner* — Amy C Wierenga

*Assistant Examiner* — Jennylou M Binas

(74) *Attorney, Agent, or Firm* — Price Heneveld LLP

(\*\*) Term: **15 Years**

(57) **CLAIM**

The ornamental design for a dishwasher, as shown and  
described.

(21) Appl. No.: **29/699,238**

**DESCRIPTION**

(22) Filed: **Jul. 24, 2019**

**Related U.S. Application Data**

(63) Continuation of application No. 29/512,227, filed on  
Dec. 17, 2014, now Pat. No. Des. 860,551.

(51) **LOC (13) Cl.** ..... **15-05**

(52) **U.S. Cl.**  
USPC ..... **D32/2**

(58) **Field of Classification Search**  
USPC ..... D32/1, 15, 16, 2, 3, 5, 6, 8, 25; D7/332,  
D7/334-335, 402, 339-340, 347-349,  
(Continued)

The file of this patent contains at least one drawing/photo-  
graph executed in color. Copies of this patent with color  
drawing(s)/photograph(s) will be provided by the Office  
upon request and payment of the necessary fee.

FIG. 1 is a top-front perspective view of a dishwasher  
according to the design;

FIG. 2 is a front view thereof;

FIG. 3 is a right side view thereof;

FIG. 4 is a left side view thereof;

FIG. 5 is a top view thereof; and,

FIG. 6 is a bottom view thereof, a back view thereof  
showing no claimed portion of the design.

Broken lines show portions of the article that form no part  
of the claimed design.

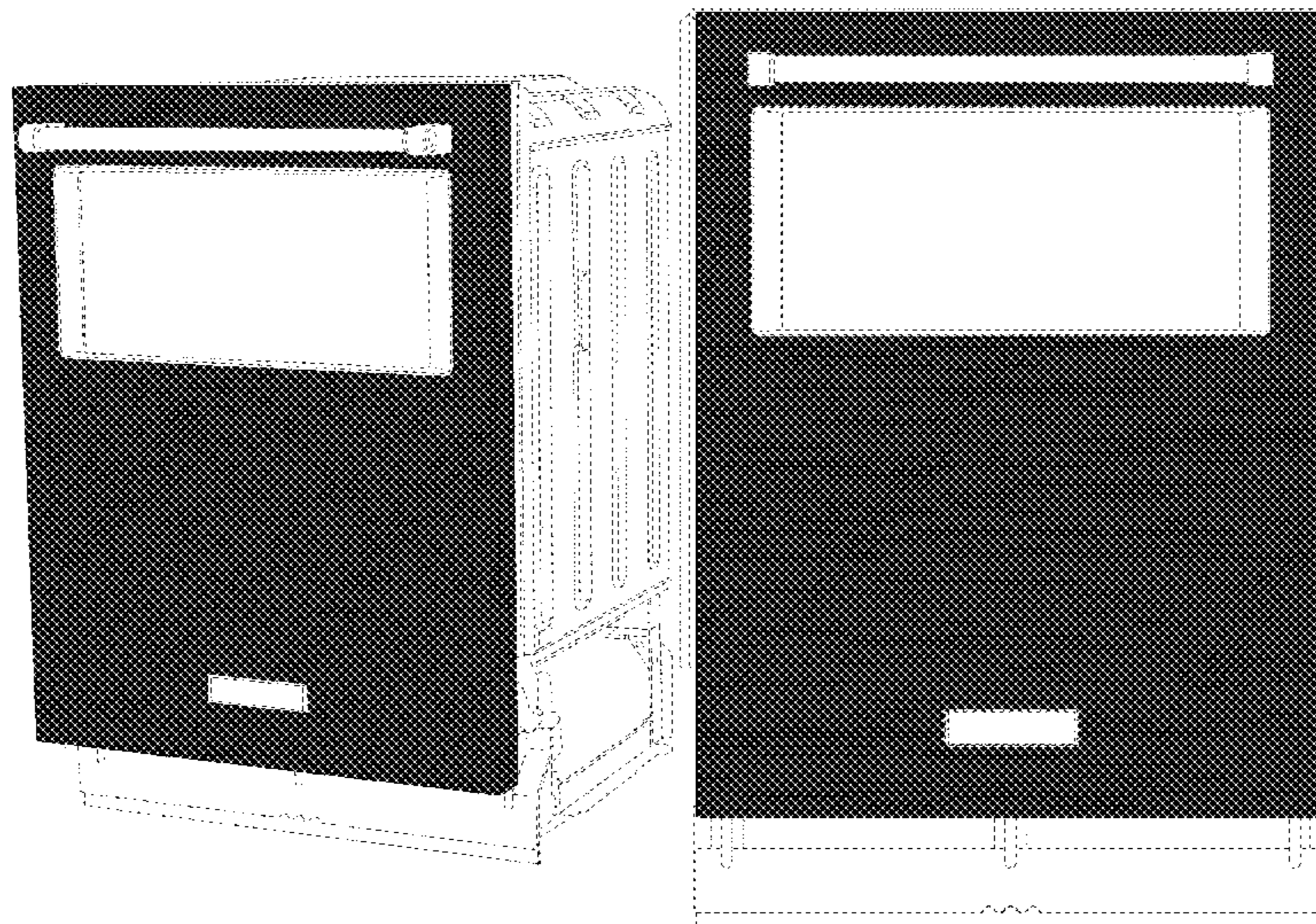
The diagonal shading using straight lines indicates a trans-  
parent material such that the texture represented by the  
texture shading is visible through the transparent material  
thereover.

(56) **References Cited**

U.S. PATENT DOCUMENTS

2,121,680 A 6/1938 Arvin  
5,387,473 A 2/1995 Yoshimi et al.  
(Continued)

**1 Claim, 6 Drawing Sheets**  
**(6 of 6 Drawing Sheet(s) Filed in Color)**



(58) **Field of Classification Search**

USPC ..... D7/350.1; D15/2, 5, 81, 83–84, 91;  
 D21/525–526; D23/225, 372, 499  
 CPC .. A47L 15/00; A47L 15/0002; A47L 15/0076;  
 A47L 15/0086; A47L 15/0092; A47L  
 15/0094; A47L 15/0097; A47L 15/02;  
 A47L 15/4265; A47L 2401/04; A47L  
 2501/00; F21V 33/0036; F21V 33/0044  
 See application file for complete search history.

(56) **References Cited**

U.S. PATENT DOCUMENTS

D377,853 S \* 2/1997 Sparks ..... D32/3  
 5,620,801 A 4/1997 Binns et al.  
 D472,023 S \* 3/2003 Jones ..... D32/3  
 D473,980 S \* 4/2003 Bowser ..... D32/3  
 D493,580 S \* 7/2004 Ott ..... D32/3  
 D493,581 S \* 7/2004 Ott ..... D32/3  
 D493,582 S \* 7/2004 Ott ..... D32/3  
 D493,923 S \* 8/2004 Ott ..... D32/3  
 D495,102 S \* 8/2004 Kaczmarek ..... D32/3  
 D495,104 S \* 8/2004 Kaczmarek ..... D32/3  
 D501,963 S \* 2/2005 Kaczmarek ..... D32/3  
 D511,031 S \* 10/2005 Ott ..... D32/3  
 D511,403 S \* 11/2005 Ott ..... D32/3  
 D511,870 S 11/2005 Paik  
 D512,544 S \* 12/2005 Jeong ..... D32/3  
 D515,255 S \* 2/2006 Jeong ..... D32/3  
 D516,758 S \* 3/2006 Kirk ..... D32/3  
 D517,252 S \* 3/2006 Kirk ..... D32/3  
 D519,689 S \* 4/2006 Ott ..... D32/3  
 D521,195 S \* 5/2006 Park ..... D32/2  
 D539,992 S \* 4/2007 Yamamoto ..... D32/2  
 D540,497 S \* 4/2007 Song ..... D32/2  
 D543,321 S \* 5/2007 Jeon ..... D32/2  
 7,279,218 B2 10/2007 Watase et al.  
 D559,478 S 1/2008 Jung et al.  
 D571,062 S \* 6/2008 Suh ..... D32/2  
 D571,963 S 6/2008 Jung et al.  
 D577,869 S 9/2008 Tartan et al.  
 D622,914 S \* 8/2010 Crookshanks ..... D32/3  
 D622,915 S \* 8/2010 Crookshanks ..... D32/3  
 D627,938 S \* 11/2010 Kim ..... D32/2  
 D665,956 S \* 8/2012 Eng ..... D32/2  
 D672,101 S \* 12/2012 Eng ..... D32/3  
 D677,023 S 2/2013 Borjesson  
 D681,290 S \* 4/2013 Eng ..... D32/3  
 D692,628 S \* 10/2013 Eng ..... D32/2  
 8,663,793 B2 3/2014 Jo et al.  
 D702,897 S \* 4/2014 Eng ..... D32/3  
 D703,395 S 4/2014 Choi et al.  
 8,715,837 B2 5/2014 Tada et al.  
 D706,502 S \* 6/2014 Eng ..... D32/3  
 D710,557 S \* 8/2014 Haft ..... D32/3  
 D741,031 S \* 10/2015 Roberson ..... D32/3  
 D746,003 S \* 12/2015 Shin ..... D32/2  
 D748,875 S \* 2/2016 Roberson ..... D32/3  
 D762,334 S \* 7/2016 Kim ..... D32/3  
 D765,321 S \* 8/2016 Fuller ..... D32/3  
 D770,696 S \* 11/2016 Roberson ..... D32/3  
 D773,880 S \* 12/2016 McConnell ..... D7/339

D777,502 S \* 1/2017 Fuller ..... D7/339  
 D791,418 S \* 7/2017 Warren ..... D32/3  
 D797,819 S \* 9/2017 Fuller ..... D15/85  
 D798,509 S \* 9/2017 Fuller ..... D32/3  
 D802,230 S \* 11/2017 Shoemaker ..... D32/2  
 9,888,828 B2 \* 2/2018 Lagness ..... A47L 15/4261  
 D823,560 S \* 7/2018 Kim ..... D32/2  
 D826,487 S \* 8/2018 Choi ..... D32/2  
 D827,220 S \* 8/2018 Kim ..... D32/2  
 D827,952 S \* 9/2018 Kim ..... D32/3  
 D834,264 S \* 11/2018 Lee ..... A47L 15/00  
 D32/3  
 D838,133 S \* 1/2019 Fuller ..... D7/339  
 D860,551 S \* 9/2019 Fuller ..... D32/2  
 D861,261 S \* 9/2019 Tong ..... D32/2  
 D862,816 S \* 10/2019 McConnell ..... D32/2  
 D865,008 S \* 10/2019 Fuller ..... D15/86  
 10,499,788 B2 \* 12/2019 Borgerson ..... A47L 15/4225  
 D892,534 S \* 8/2020 Fuller ..... D7/339  
 2005/0154118 A1 7/2005 Hayes et al.  
 2010/0021726 A1 1/2010 Jo et al.  
 2012/0070651 A1 3/2012 Morishita et al.

FOREIGN PATENT DOCUMENTS

CN 305017887 \* 1/2019  
 GB 999061 A 7/1965  
 GB 1016077 A 1/1966  
 GB 1105140 A 3/1968  
 WO D204406-001 \* 12/2019

OTHER PUBLICATIONS

Farberware Professional 21.8-in Portable Dishwasher, available in [www.lowes.com](http://www.lowes.com), customer review oldest date Feb. 19, 2021 [online], [site visited Mar. 22, 2022], Available from the internet URL: <https://www.lowes.com/pd/Farberware-19-7-in-0-Decibel-Portable-Dishwasher-White-ENERGY-STAR/5001062785> (Year: 2021).\*

Introducing the Picture Window Lady Kenmore Roto-Rack, available in [www.automaticdishwasher.org](http://www.automaticdishwasher.org), announced Aug. 28, 2011 [online], [site visited Mar. 23, 2022], Internet URL: <https://www.automaticwasher.org/cgi-bin/TD/TD-VIEWTHREAD.cgi?36251> (Year: 2011).\*

Kenmore Elite Dishwasher, available in [www.searshometownstores.com](http://www.searshometownstores.com), announced Year 2022 [online], [site visited Mar. 23, 2022], Internet URL: <https://www.searshometownstores.com/product/Kenmore-Elite-14823-24-Built-in-Dishwasher-with-Observation-Window-Stainless-Steel> (Year: 2022).\*

Black+Decker BCD6W Compact Countertop Dishwasher, available in [www.amazon.com](http://www.amazon.com), date first available Nov. 2, 2017 [online ], [site visited Mar. 23, 2022], Available from the internet URL: <https://www.amazon.com/BLACK-DECKER-BCD6W-Dishwasher-Settings/dp/B0773QXFH3> (Year: 2017).\*

Kitchenaid Dishwasher with Window and Lighted Interior in Action, announced in YouTube on Jan. 31, 2016 [online], [site visited Mar. 23, 2022], Available from the internet URL: Kitchenaid Dishwasher with Window and Lighted Interior in Action (Year: 2016).\*

Picture Window Dishwasher, announced in YouTube on Feb. 14, 2014 [online], [site visited Mar. 23, 2022], Available from the internet URL: Picture Window Dishwasher (Year: 2014).\*

\* cited by examiner

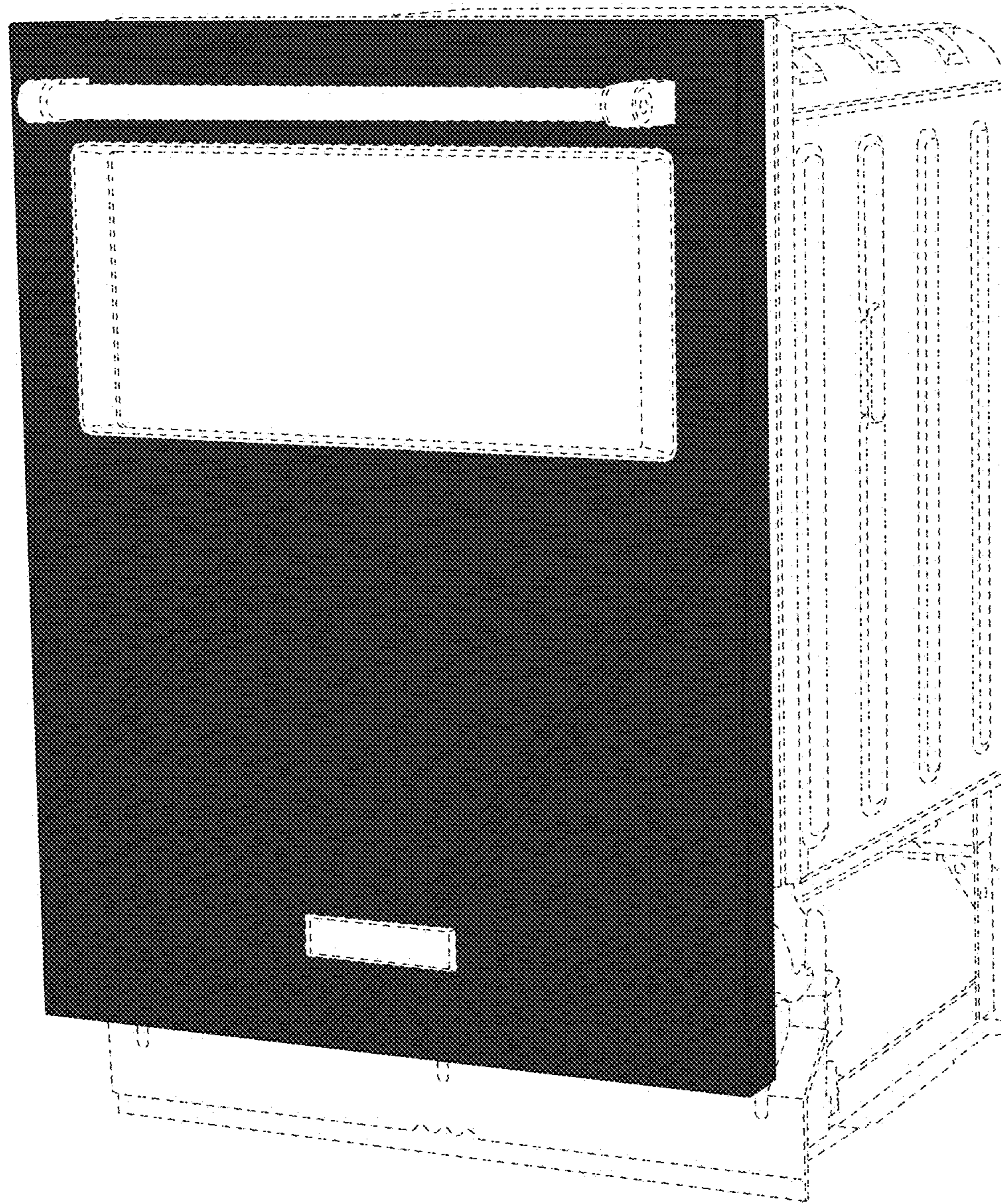


FIG. 1

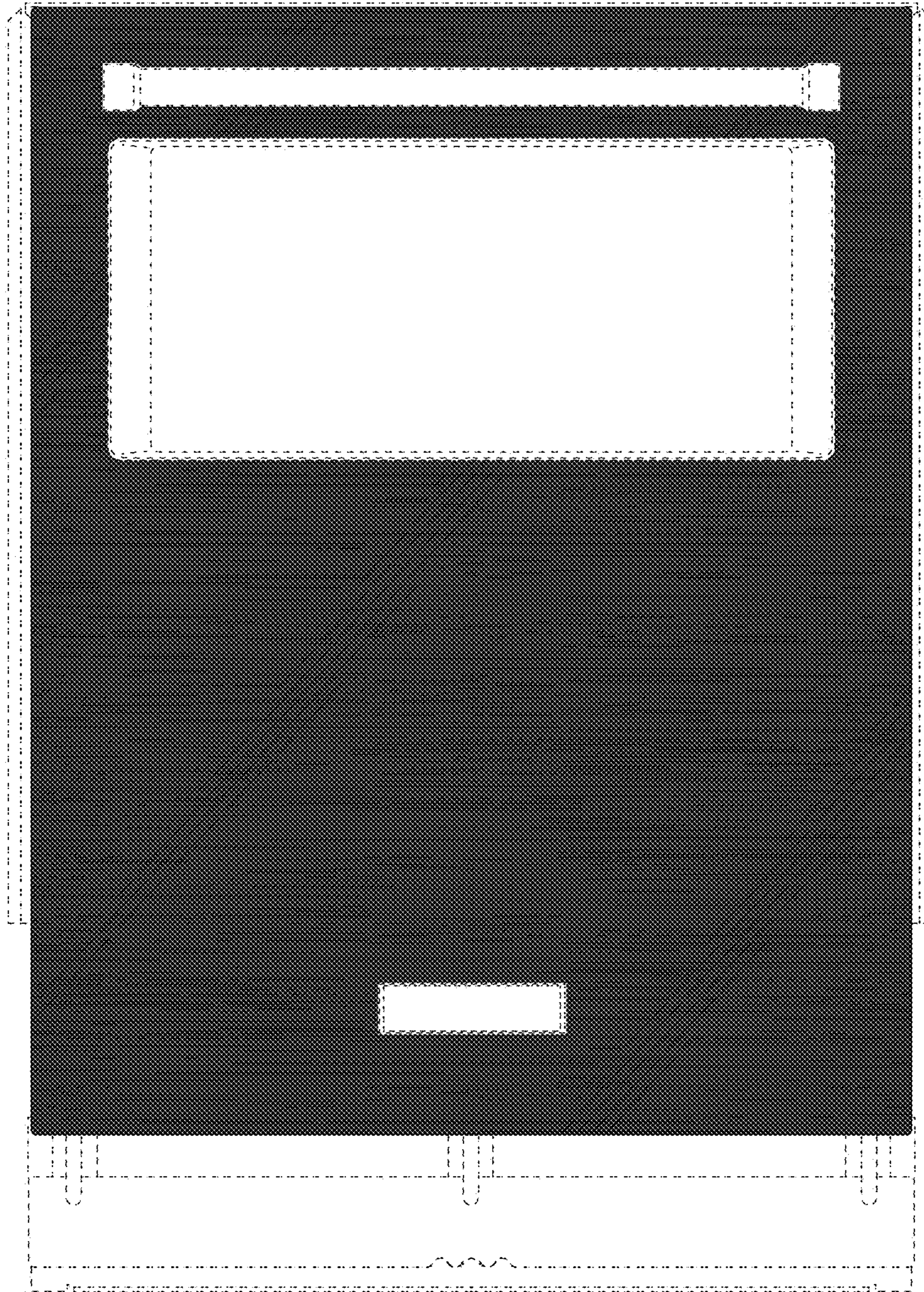


FIG. 2

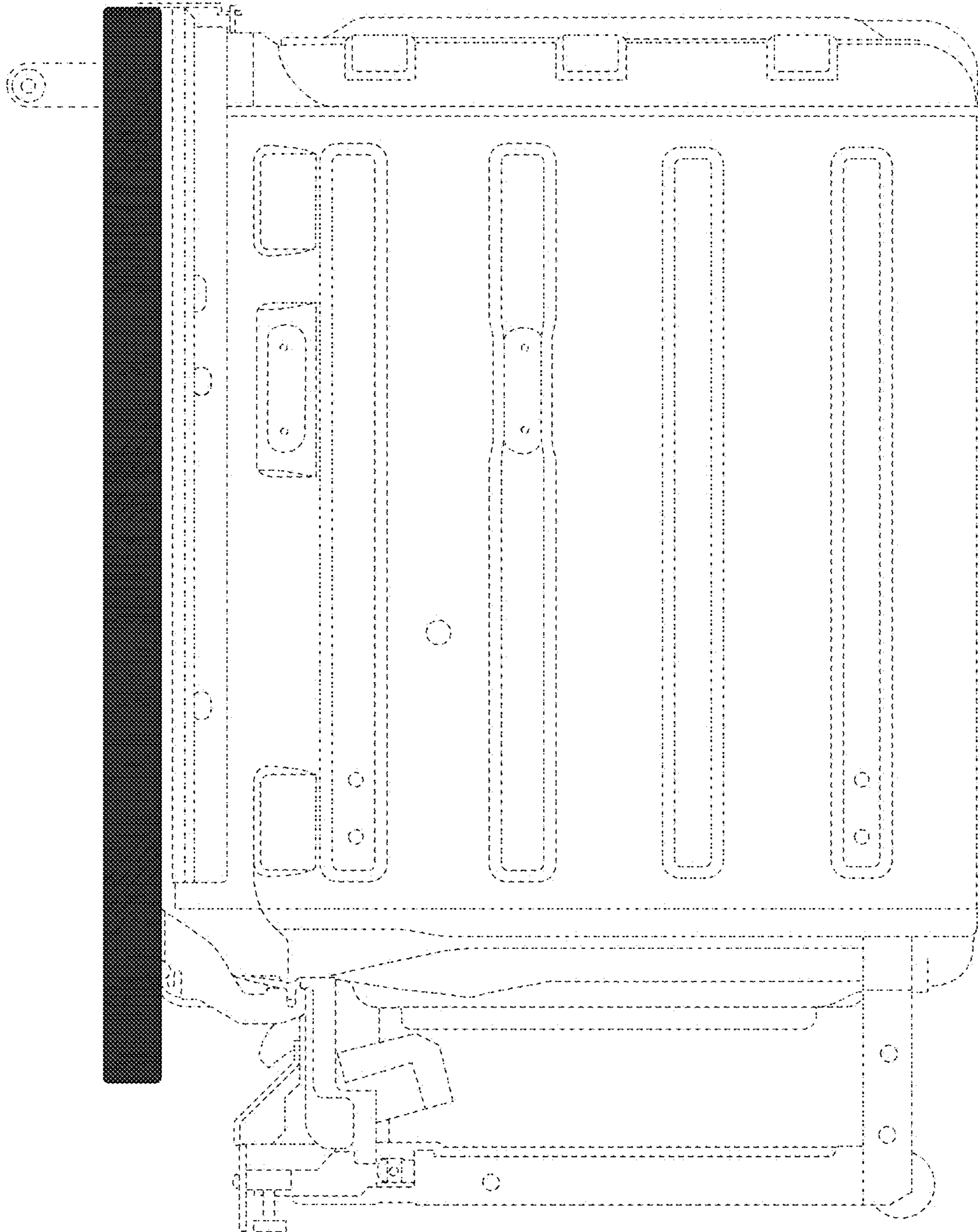


FIG. 3

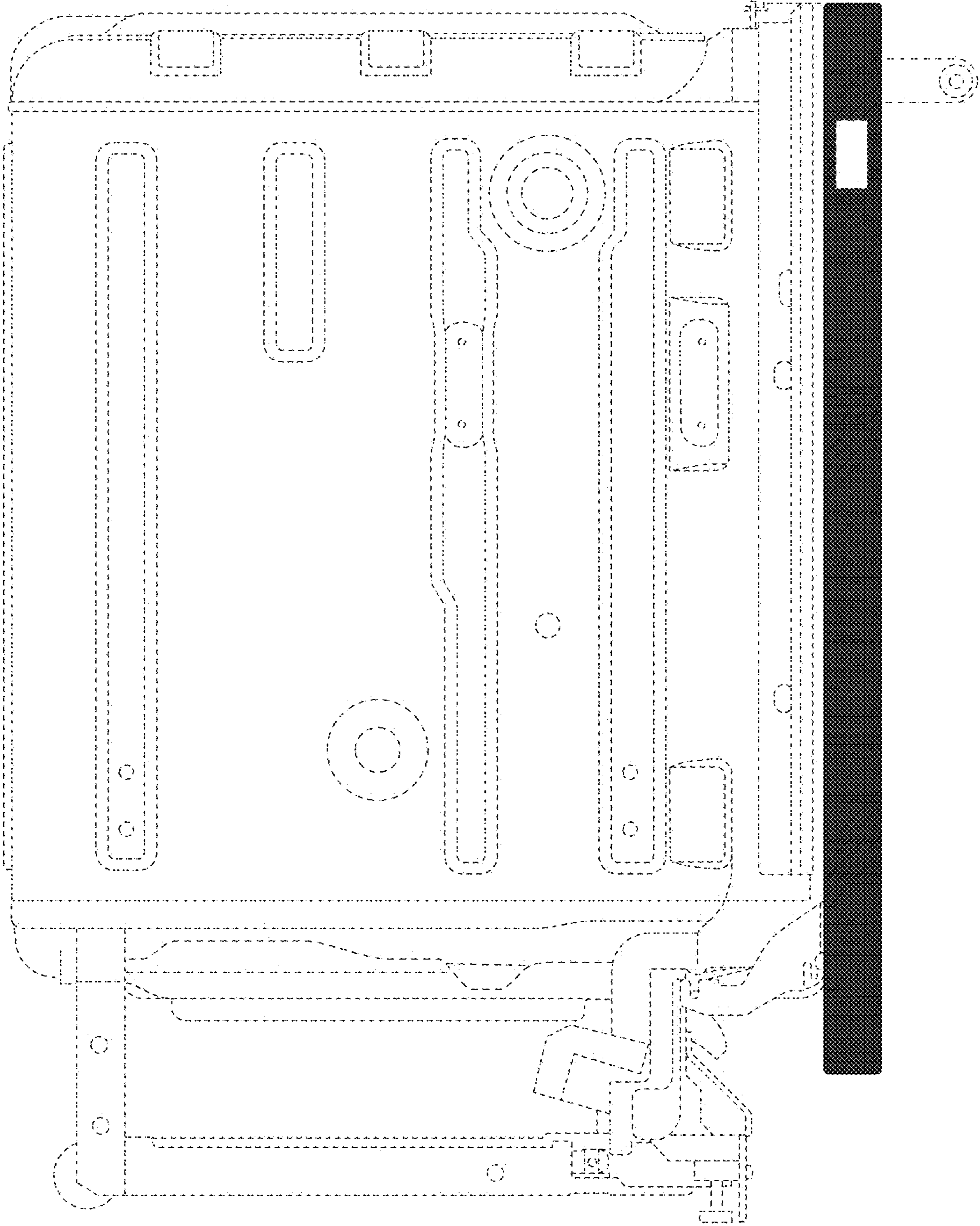


FIG. 4

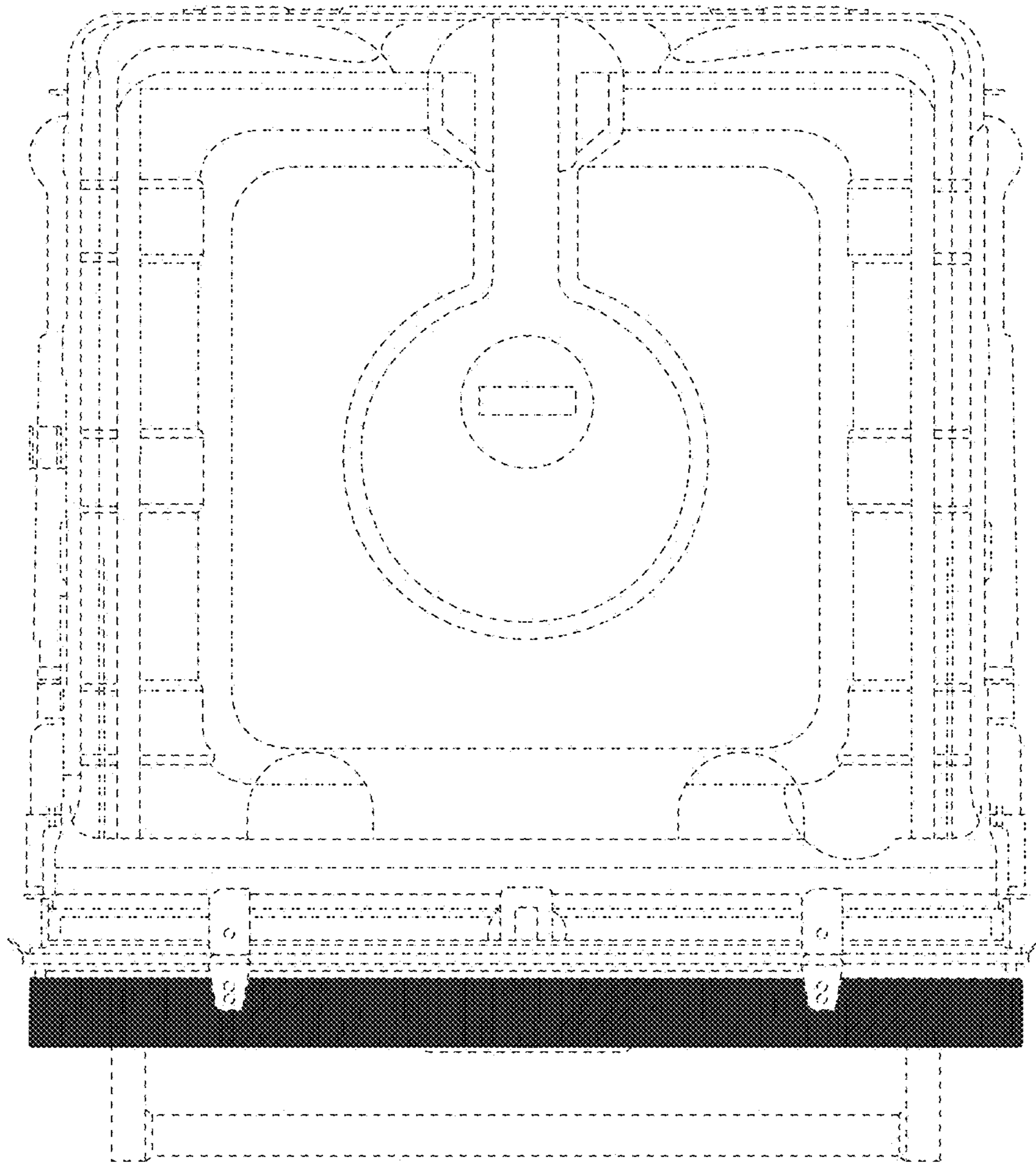


FIG. 5

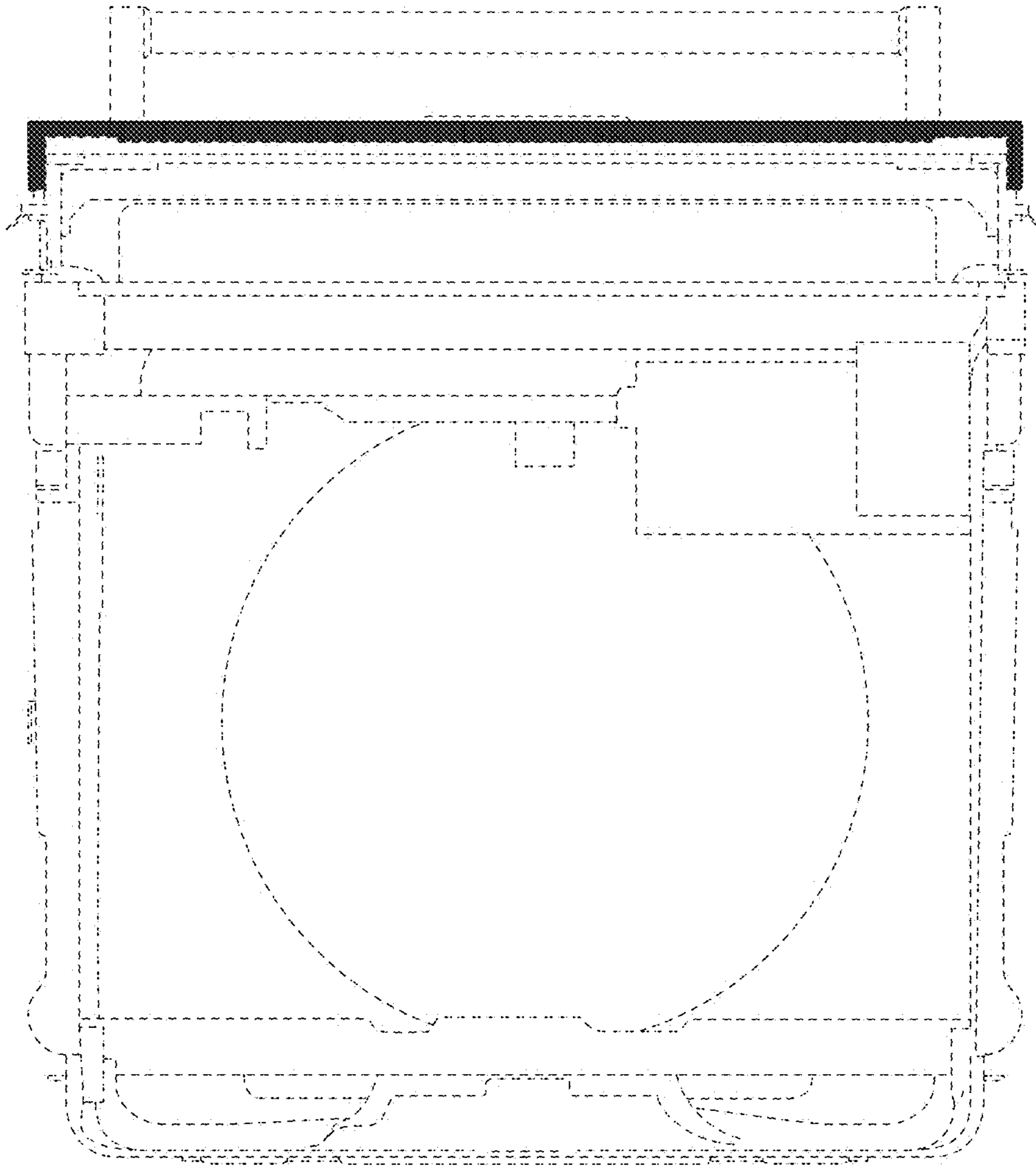


FIG. 6