



US00D972236S

(12) **United States Design Patent** (10) **Patent No.:** **US D972,236 S**  
**Liang** (45) **Date of Patent:** **\*\* Dec. 6, 2022**

(54) **BARK TRAINING COLLAR**  
(71) Applicant: **Shenzhen Hongke Gelin Technology Co., LTD**, Shenzhen (CN)  
(72) Inventor: **Qiming Liang**, Shenzhen (CN)  
(\*\*) Term: **15 Years**  
(21) Appl. No.: **29/789,903**  
(22) Filed: **Oct. 22, 2021**  
(51) **LOC (13) Cl.** ..... **30-99**  
(52) **U.S. Cl.**  
USPC ..... **D30/199; D10/104.1**  
(58) **Field of Classification Search**  
USPC ..... D30/151-155, 144, 199, 160;  
119/792-798, 850, 855-859, 863-865,  
119/654, 905, 907, 815, 712, 802, 784,  
119/769, 760, 776, 862, 908, 860,  
119/719-721; 242/381.1-381.2, 385.4,  
242/378.3, 376.1, 385.1, 916, 601, 570,  
242/405, 404, 371, 223, 170, 388.1,  
242/405.2, 377, 381.3, 381.6, 405.3,  
242/388.6, 384.7, 382, 396.1, 404.1, 380;  
362/108; 33/767, 769, 414; D12/400;  
D3/229, 230, 207, 208, 215; 40/1.5, 455,  
40/640, 303; 206/63.3, 459.5, 702, 408;  
D6/515; D8/358, 360, 347, 360.1, 359,  
D8/356, DIG. 1; D24/145, 167, 186, 146,  
D24/169; D10/57, 72, 106.1, 104.1,  
D10/104.2, 109.2, 70, 97, 98, 78, 65;  
D20/28; 224/666, 678; 16/445; 283/74,  
283/70; D11/232, 200, 216, 1, 2, 86, 87,  
D11/201, 206-210, 212-215, 218;  
24/163 K, 122.3, 323, 702, 600.4-600.7,  
24/163 R, 169-171, 173, 177-179, 191,  
24/194, 195, 197, 200, 303, 616, 635,  
24/313, 615, 3, 6, 3 K, 599.2, 96, 221,  
24/237, 311, 312, 314, 321, 338, 339,  
24/309; 425/3, 4; 54/76, 1, 71; 63/29.1,  
63/3; 191/12.2 R, 12.4; D13/154, 153,

D13/137.4, 155, 103, 168; D19/69, 67;  
379/438; 446/26; 473/576; D22/140;  
174/135; 439/504, 13, 501; D34/33;  
188/83, 82.1, 65.1; 254/134.3 FT;  
D29/124; D2/627, 624, 633, 625;  
132/145, 146, 148; 2/314; 59/79.1;  
340/573.3, 573.1, 573, 573.4,  
340/539.13-539.19; 343/895;  
(Continued)

(56) **References Cited**

U.S. PATENT DOCUMENTS

4,612,719 A \* 9/1986 de Jong ..... A44B 11/006  
40/658  
5,046,453 A \* 9/1991 Vinci ..... A01K 15/022  
239/152

(Continued)

*Primary Examiner* — Susan Moon Lee  
(74) *Attorney, Agent, or Firm* — Rumit R. Kanakia

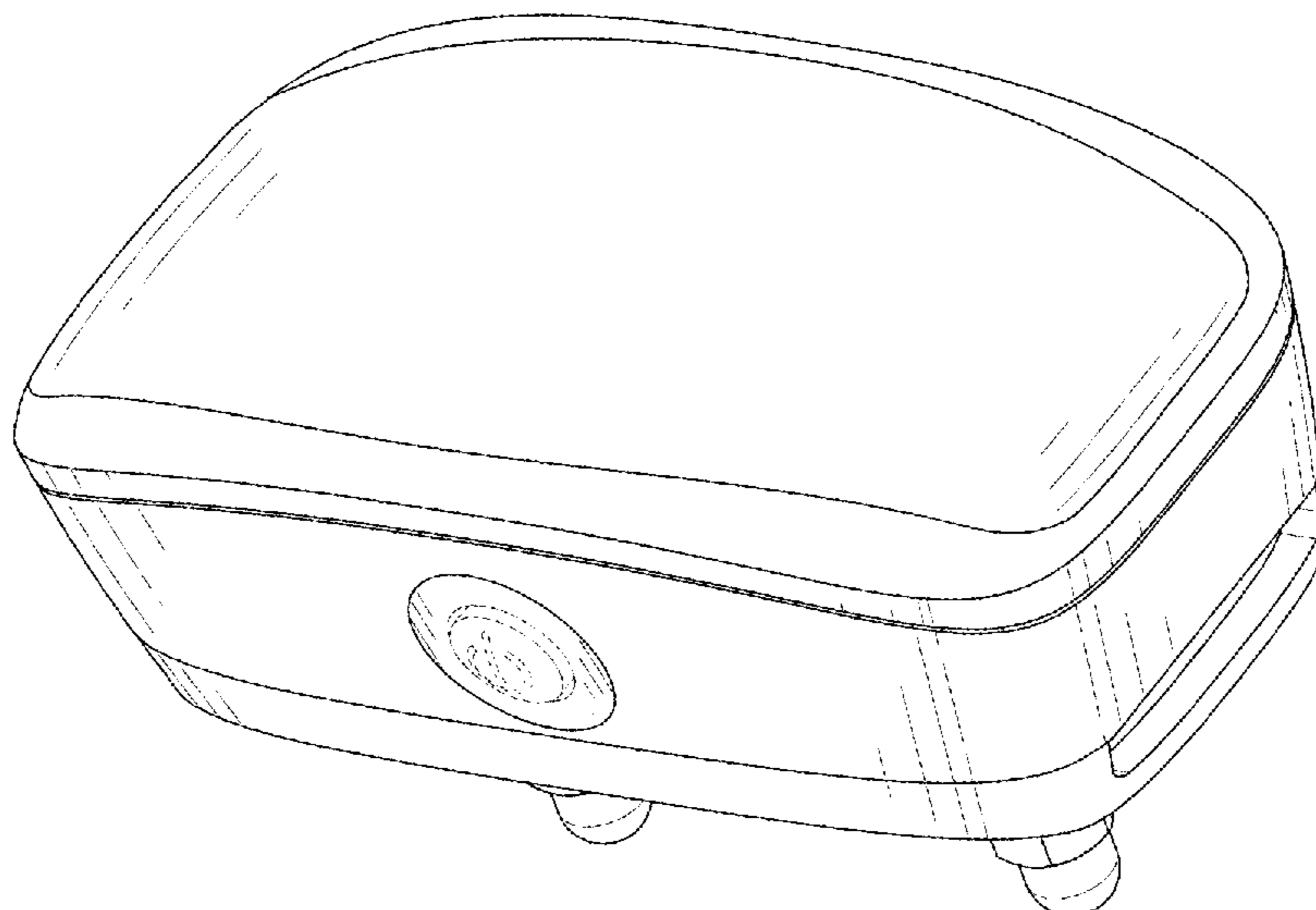
(57) **CLAIM**

The ornamental design for a bark training collar, as shown and described.

**DESCRIPTION**

FIG. 1 is a first perspective view of a bark training collar showing my new design;  
FIG. 2 is a second perspective view thereof;  
FIG. 3 is a front view thereof;  
FIG. 4 is a back view thereof;  
FIG. 5 is a left side view thereof;  
FIG. 6 is a right side view thereof;  
FIG. 7 is a top view thereof; and,  
FIG. 8 is a bottom view thereof.  
The broken lines shown in the drawings depict portions of the bark training collar in which the design is embodied that form no part of the claimed design.

**1 Claim, 8 Drawing Sheets**



(58) **Field of Classification Search**

USPC ..... 278/8 AES; 231/7; 361/232; D14/344,  
D14/341, 137, 155, 496, 203.5, 203.3,  
D14/144, 218, 188, 216, 192;  
342/357.51, 357.57, 357.52, 357.55;  
455/100, 352, 456.1, 550.1; 315/291  
CPC .... A01K 15/021; A01K 15/02; A01K 15/022;  
A01K 15/023; A01K 15/029; A01K  
15/04; A01K 15/00; A01K 15/006; A01K  
12/022; A01K 27/009; A01K 27/00;  
A01K 27/001; A01K 27/006-008; A01K  
29/005; A01K 29/00; A61B 5/0002-0028;  
A61B 5/681; A61B 5/6822; A61B  
5/6824; A61B 5/6829; G01S 5/0294

See application file for complete search history.

(56) **References Cited**

U.S. PATENT DOCUMENTS

D400,458 S \* 11/1998 Titus ..... D10/104.1  
D410,206 S \* 5/1999 Slater ..... D10/104.1  
D428,218 S \* 7/2000 Dehart ..... D30/152  
D478,830 S \* 8/2003 So ..... D30/152  
D520,894 S \* 5/2006 Zakharyan ..... D30/199  
D541,689 S \* 5/2007 Meyers ..... D10/118  
7,252,051 B2 \* 8/2007 Napolez ..... A01K 15/022  
119/718  
7,382,328 B2 \* 6/2008 Lee, IV ..... H01Q 1/44  
343/718  
7,552,699 B2 \* 6/2009 Moore ..... A01K 15/023  
119/719  
D631,552 S \* 1/2011 Kasabach ..... D24/186  
D632,853 S \* 2/2011 Hardi ..... D30/155  
7,996,983 B2 \* 8/2011 Lee, IV ..... A01K 27/009  
29/595  
D657,098 S \* 4/2012 So ..... D30/152  
D673,334 S \* 12/2012 Guo ..... D30/152  
8,714,113 B2 \* 5/2014 Lee, IV ..... A01K 15/022  
119/718  
8,803,692 B2 \* 8/2014 Goetzl ..... A01K 27/009  
340/573.3  
D715,675 S \* 10/2014 Ma ..... D11/3  
D726,052 S \* 4/2015 Henning ..... D10/70  
D740,150 S \* 10/2015 Howsam ..... D11/3  
D742,817 S \* 11/2015 Lammers-Meis ..... D13/103  
D749,005 S \* 2/2016 Bruce ..... D10/104.1  
D756,826 S \* 5/2016 Smith ..... D10/114.2  
9,332,812 B2 \* 5/2016 Ma ..... A44C 15/0015  
D762,333 S \* 7/2016 Pulliam ..... D30/199  
D772,745 S \* 11/2016 Henne ..... D10/70  
D778,184 S \* 2/2017 Kikstra ..... D10/70  
D788,999 S \* 6/2017 Zinn ..... D30/152  
D794,261 S \* 8/2017 Pulliam ..... D30/152  
9,756,833 B2 \* 9/2017 So ..... A01K 15/021  
D803,709 S \* 11/2017 Le Bihan ..... D10/70  
D806,880 S \* 1/2018 Henning ..... D14/344  
9,861,080 B1 \* 1/2018 Hathway ..... A01K 27/001  
D810,603 S \* 2/2018 Davis ..... D11/4  
D811,385 S \* 2/2018 Hosoda ..... D14/341  
D812,499 S \* 3/2018 Kuh ..... D10/70  
D822,516 S \* 7/2018 Van Curen ..... D10/104.1  
D824,899 S \* 8/2018 Yang ..... D14/344  
D826,763 S \* 8/2018 Chuang ..... D11/3  
D829,120 S \* 9/2018 Mitchell ..... D10/104.1  
D834,769 S \* 11/2018 Wen ..... D10/104.1  
D835,364 S \* 12/2018 Lee ..... D10/104.1  
D835,533 S \* 12/2018 Zheng ..... D10/70

10,154,651 B2 \* 12/2018 Goetzl ..... A01K 15/021  
D846,817 S \* 4/2019 Li  
D848,293 S \* 5/2019 Laurans ..... D10/70  
D853,666 S \* 7/2019 Ni ..... D10/104.1  
D858,904 S \* 9/2019 Zinn ..... D10/104.1  
D860,989 S \* 9/2019 Choplin ..... D14/344  
D863,297 S \* 10/2019 Ke ..... D14/344  
D865,546 S \* 11/2019 Kellock ..... D10/70  
D865,761 S \* 11/2019 Choplin ..... D14/344  
D870,399 S \* 12/2019 Van Curen et al.  
D872,383 S \* 1/2020 Darnell ..... D30/152  
D886,394 S \* 6/2020 Dong  
D888,353 S \* 6/2020 Lan ..... D10/104.1  
D891,286 S \* 7/2020 Worth ..... D11/3  
D895,908 S \* 9/2020 Yan ..... D14/188  
D898,307 S \* 10/2020 Yang ..... D10/104.1  
D898,613 S \* 10/2020 Stapleton ..... D11/216  
D906,845 S \* 1/2021 Larsen ..... D10/46  
D907,358 S \* 1/2021 Levy ..... D3/205  
D909,369 S \* 2/2021 Wu ..... D14/344  
D909,745 S \* 2/2021 Dastmalchi ..... D3/205  
D910,306 S \* 2/2021 Chui ..... D3/205  
D912,666 S \* 3/2021 Bournique ..... D14/344  
D919,201 S \* 5/2021 Wang ..... D10/104.1  
D925,141 S \* 7/2021 Lai ..... D10/104.1  
D929,051 S \* 8/2021 Li ..... D10/104.1  
D929,682 S \* 8/2021 Li ..... D10/104.1  
11,094,224 B2 \* 8/2021 Stapleton ..... G09F 3/08  
D936,917 S \* 11/2021 Li ..... D10/104.1  
11,172,649 B2 \* 11/2021 Brayer ..... A01K 27/005  
D943,844 S \* 2/2022 Li ..... D10/104.1  
D943,845 S \* 2/2022 Li ..... D10/104.1  
D944,470 S \* 2/2022 Li ..... D10/104.1  
D945,721 S \* 3/2022 Luo ..... D10/104.1  
D948,814 S \* 4/2022 Jin ..... D10/104.1  
D948,816 S \* 4/2022 Jin ..... D10/104.1  
D950,170 S \* 4/2022 Li ..... D10/104.1  
D952,961 S \* 5/2022 Li ..... D30/152  
D953,667 S \* 5/2022 Li ..... D30/152  
D954,015 S \* 6/2022 Chen ..... D14/155  
D957,763 S \* 7/2022 Jia ..... D10/104.1  
2004/0162875 A1 \* 8/2004 Brown ..... G08B 5/223  
709/203  
2005/0059909 A1 \* 3/2005 Burgess ..... A61H 11/00  
601/79  
2005/0211187 A1 \* 9/2005 Harman ..... A01K 15/023  
119/721  
2007/0209604 A1 \* 9/2007 Groh ..... A01K 15/021  
119/858  
2009/0205583 A1 \* 8/2009 So ..... A01K 15/021  
119/719  
2011/0232585 A1 \* 9/2011 Rich ..... A01K 15/023  
342/458  
2012/0160183 A1 \* 6/2012 So ..... A01K 15/021  
119/720  
2013/0027207 A1 \* 1/2013 Goetzl ..... H01Q 1/273  
340/573.3  
2013/0112153 A1 \* 5/2013 So ..... A01K 15/021  
119/720  
2014/0320347 A1 \* 10/2014 Rochelle ..... A01K 15/023  
342/385  
2015/0040839 A1 \* 2/2015 Goetzl ..... A01K 15/021  
119/720  
2015/0128878 A1 \* 5/2015 Van Curen ..... A01K 15/023  
119/721  
2017/0340210 A1 \* 11/2017 Chuang ..... A61B 5/02141  
2018/0132450 A1 \* 5/2018 Goetzl ..... A01K 15/021  
2018/0153137 A1 \* 6/2018 Goetzl ..... A01K 29/005  
2020/0015456 A1 \* 1/2020 Van Curen ..... A01K 15/022

\* cited by examiner

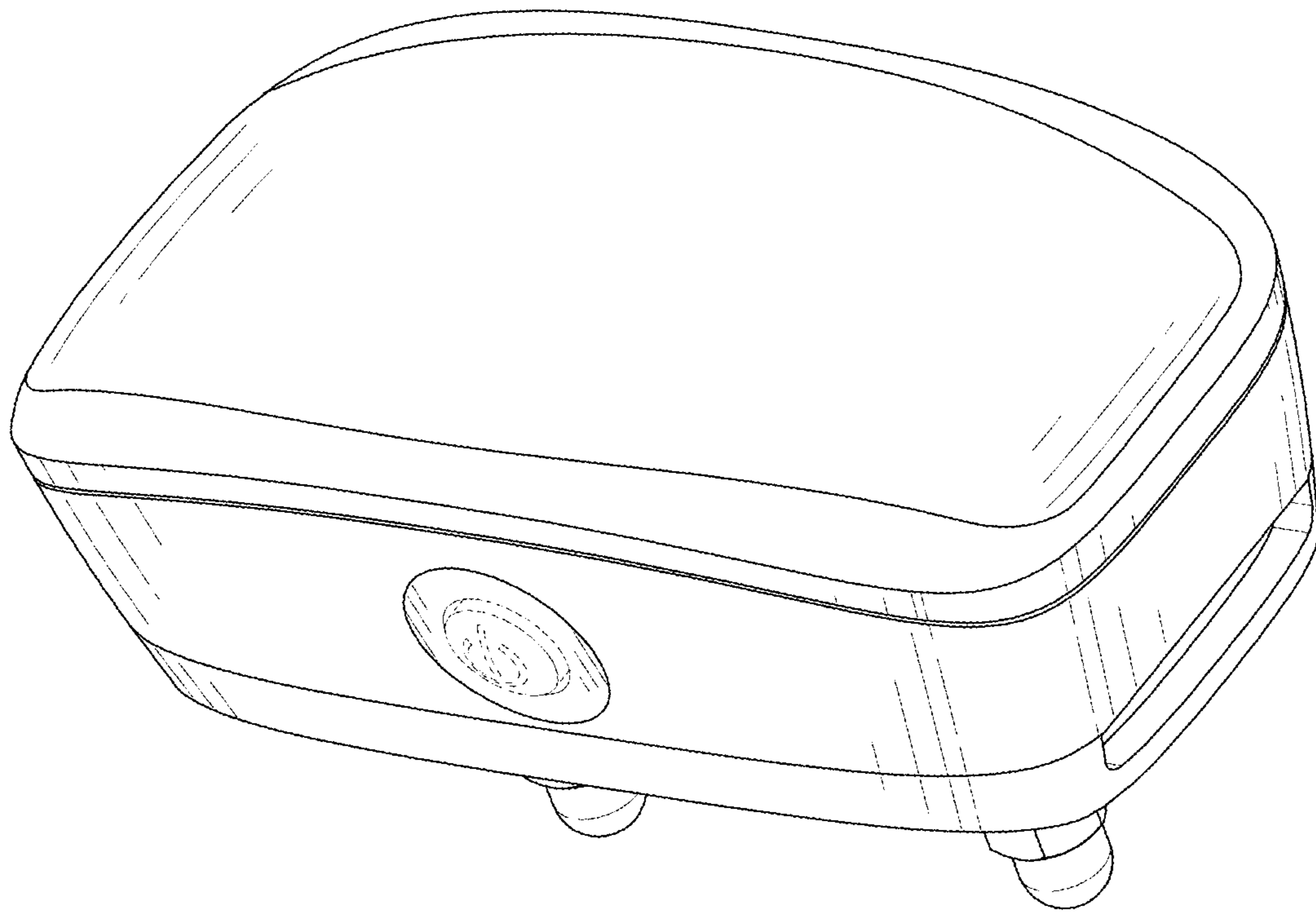


FIG. 1

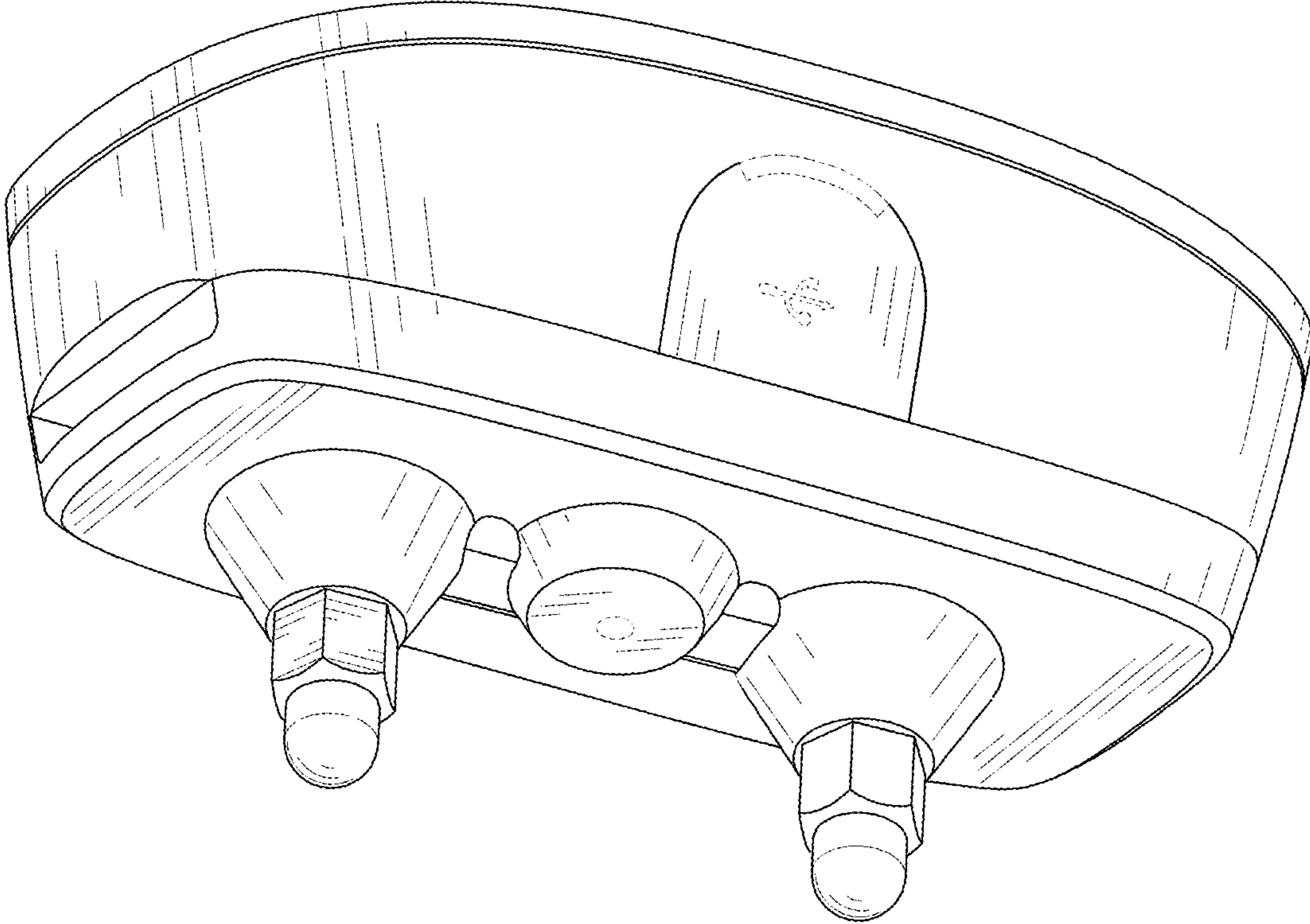


FIG. 2

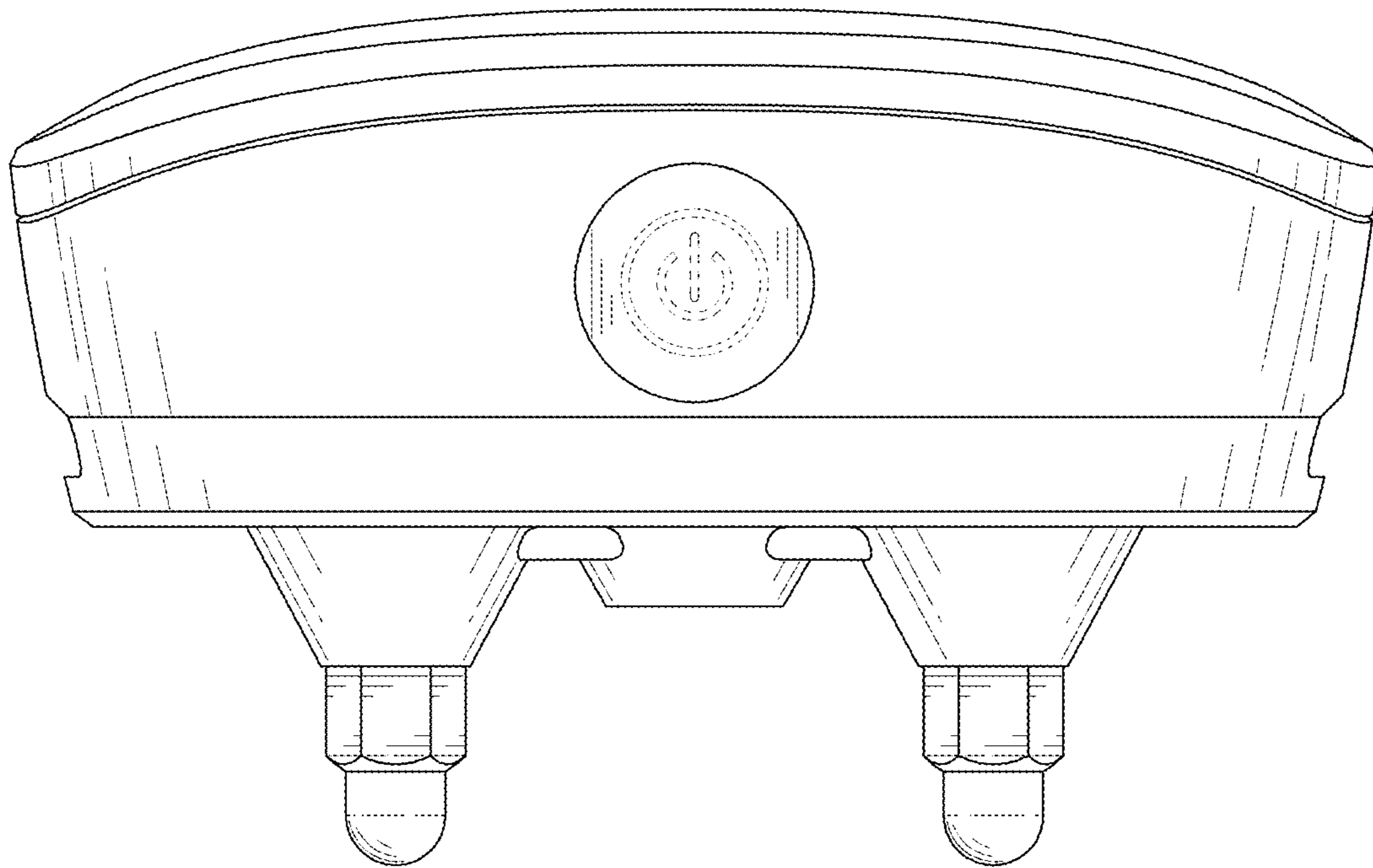


FIG. 3

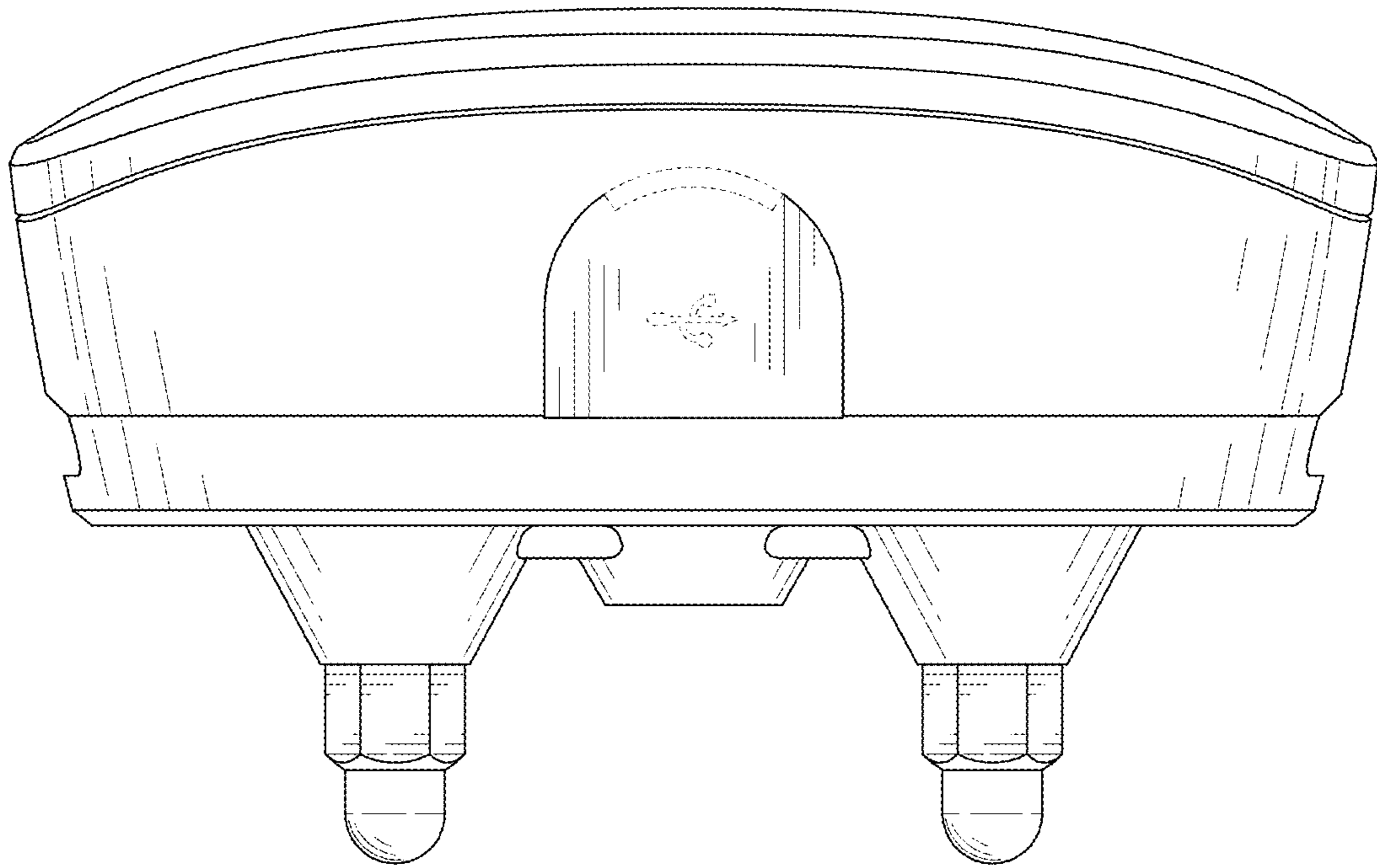


FIG. 4

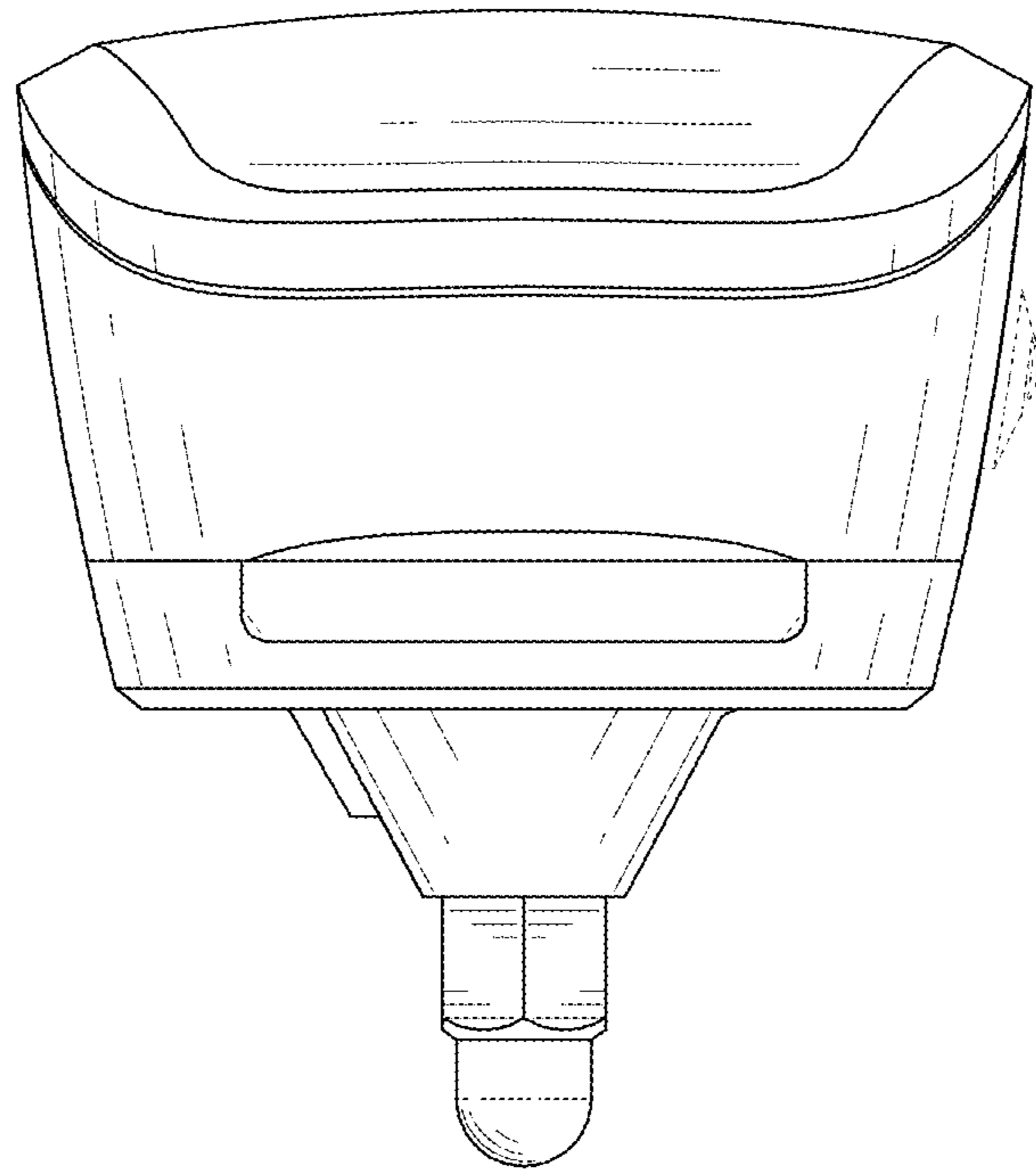


FIG. 5

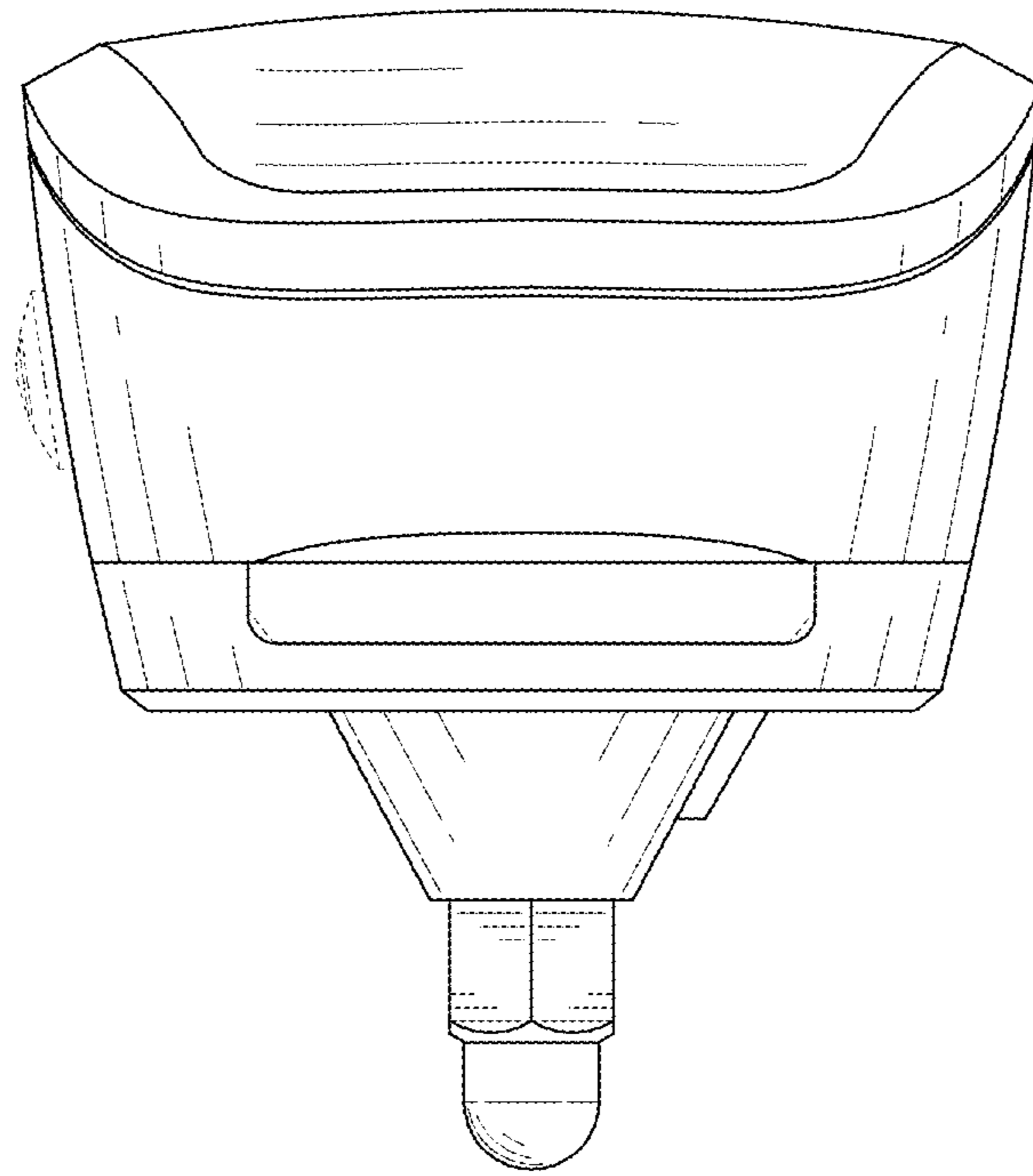


FIG. 6



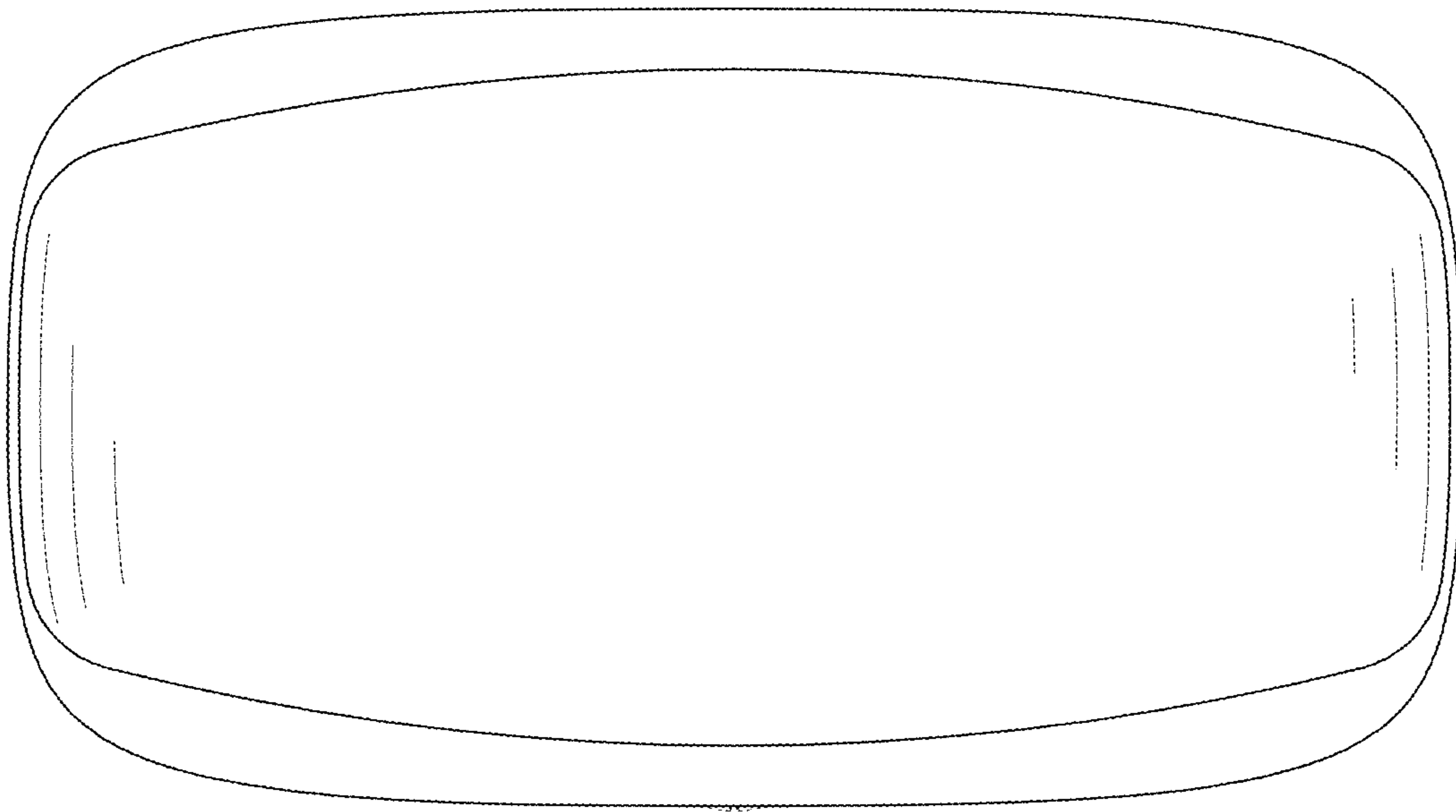


FIG. 7

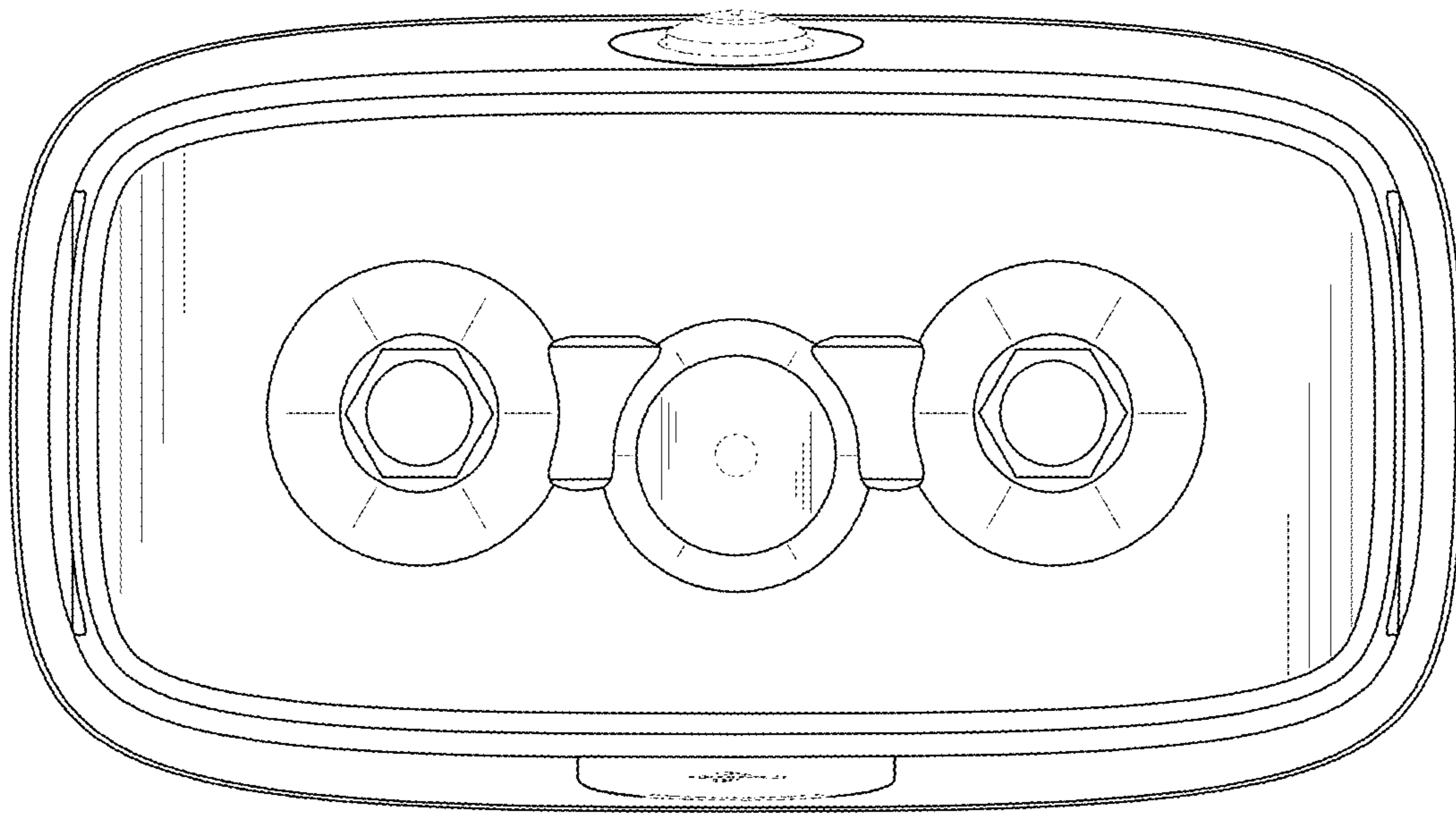


FIG. 8