



US00D972233S

(12) **United States Design Patent** (10) **Patent No.:** **US D972,233 S**
Jin (45) **Date of Patent:** **** Dec. 6, 2022**

(54) **PET LEASH**
(71) Applicant: **Shenzhen DJ Innovation Industry Co., Ltd, Shenzhen (CN)**
(72) Inventor: **Bo Jin, Shenzhen (CN)**
(**) Term: **15 Years**
(21) Appl. No.: **29/769,043**
(22) Filed: **Feb. 3, 2021**

D765,319 S * 8/2016 Chefetz D30/153
D879,389 S * 3/2020 Giesen D30/153
D916,398 S * 4/2021 Elam D30/153
D922,698 S * 6/2021 Sells D30/153
D928,425 S * 8/2021 He D30/153

(Continued)

FOREIGN PATENT DOCUMENTS

CN 303972577 * 12/2016
CN 305583560 * 1/2020
CN 306633460 * 6/2021

OTHER PUBLICATIONS

Mighty Paw Retractable Dog Leash, available in Amazon.com, date first available Jan. 15, 2021 [online], [site visited Jun. 28, 2022], Available from the internet URL: <https://www.amazon.com/Mighty-Paw-Retractable-Reflective-Quick-Lock/dp/B08T69SSWQ?th=1> (Year: 2021).*

(Continued)

Primary Examiner — Jennifer L Rempfer
Assistant Examiner — Elizabeth Anne Glassberg
(74) *Attorney, Agent, or Firm* — Rumit R. Kanakia

(30) **Foreign Application Priority Data**
Jan. 28, 2021 (CN) 202130064116.2
(51) **LOC (13) Cl.** **30-04**
(52) **U.S. Cl.**
USPC **D30/153**
(58) **Field of Classification Search**
USPC D7/694; D30/145, 152, 153
CPC A01K 25/00; A01K 27/00; A01K 27/001;
A01K 27/002; A01K 27/003; A01K
27/004; A01K 27/005
See application file for complete search history.

(57) **CLAIM**

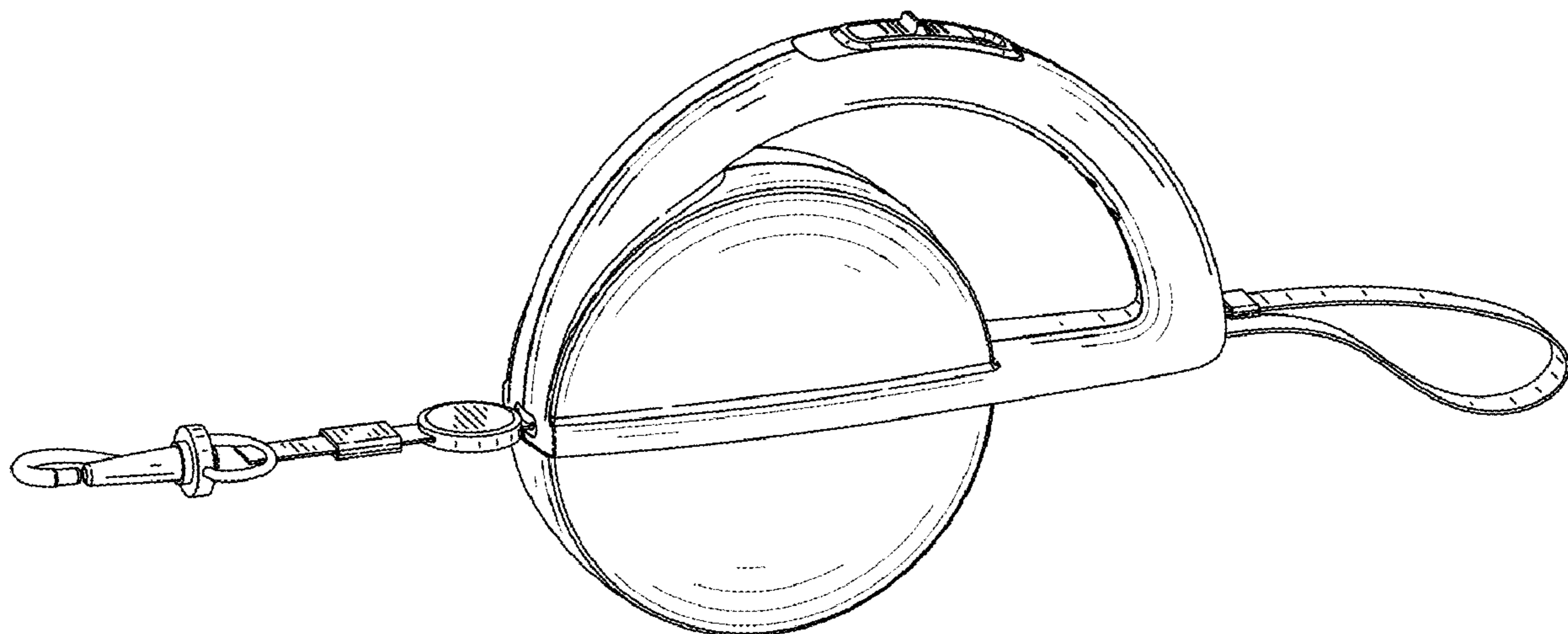
The ornamental design for a pet leash, as shown and described.

DESCRIPTION

FIG. 1 is a first perspective view of a pet leash showing my new design;
FIG. 2 is a second perspective view thereof;
FIG. 3 is a front view thereof;
FIG. 4 is a back view thereof;
FIG. 5 is a left side view thereof;
FIG. 6 is a right side view thereof;
FIG. 7 is a top view thereof; and,
FIG. 8 is a bottom view thereof.

1 Claim, 8 Drawing Sheets

(56) **References Cited**
U.S. PATENT DOCUMENTS
D337,866 S * 7/1993 Wiens D30/153
D448,892 S * 10/2001 Hans A01K 27/004
D553,307 S * 10/2007 Ko D30/152
D574,980 S * 8/2008 Mattheis D26/37
D610,315 S * 2/2010 Lopusnak D30/153
D610,752 S * 2/2010 Roediger D30/153
D611,313 S * 3/2010 Eide D7/694
D613,002 S * 3/2010 Lopusnak D30/153
D634,461 S * 3/2011 Mattheis D30/153
D678,630 S * 3/2013 Cohen D30/153
D694,963 S * 12/2013 Daniels D30/153
D725,845 S * 3/2015 Goldy D30/153
D750,453 S * 3/2016 Popov D7/694
D757,377 S * 5/2016 Blakemore D30/153



(56)

References Cited

U.S. PATENT DOCUMENTS

2009/0217886 A1* 9/2009 Lopusnak A01K 27/004
119/796
2010/0107992 A1* 5/2010 Chefetz B65H 75/4431
119/796
2014/0000533 A1* 1/2014 Limberis A01K 27/006
119/796
2014/0238313 A1* 8/2014 Daniels A01K 27/004
119/796
2019/0141958 A1* 5/2019 Price A01K 27/004
119/796
2020/0267937 A1* 8/2020 Pagan B65H 75/4431

OTHER PUBLICATIONS

Wigzi Reflective Gel Retractable Leash, available in Amazon.com, date first available May 14, 2015 [online], [site visited Jun. 28, 2022], Available from the internet URL: <https://www.amazon.com/Wigzi-Reflective-Retractable-Leash-Yellow/dp/B00YX314Z0> (Year: 2015).*

Szida_ZOUEDESIGN_2021-LUandBA_PetLeash, available in szida.org, announced Apr. 30, 2021 [online], [site visited Jul. 8, 2022], Internet URL: <http://www.szida.org/Enable/Detail/2895> (Year: 2021).*

* cited by examiner

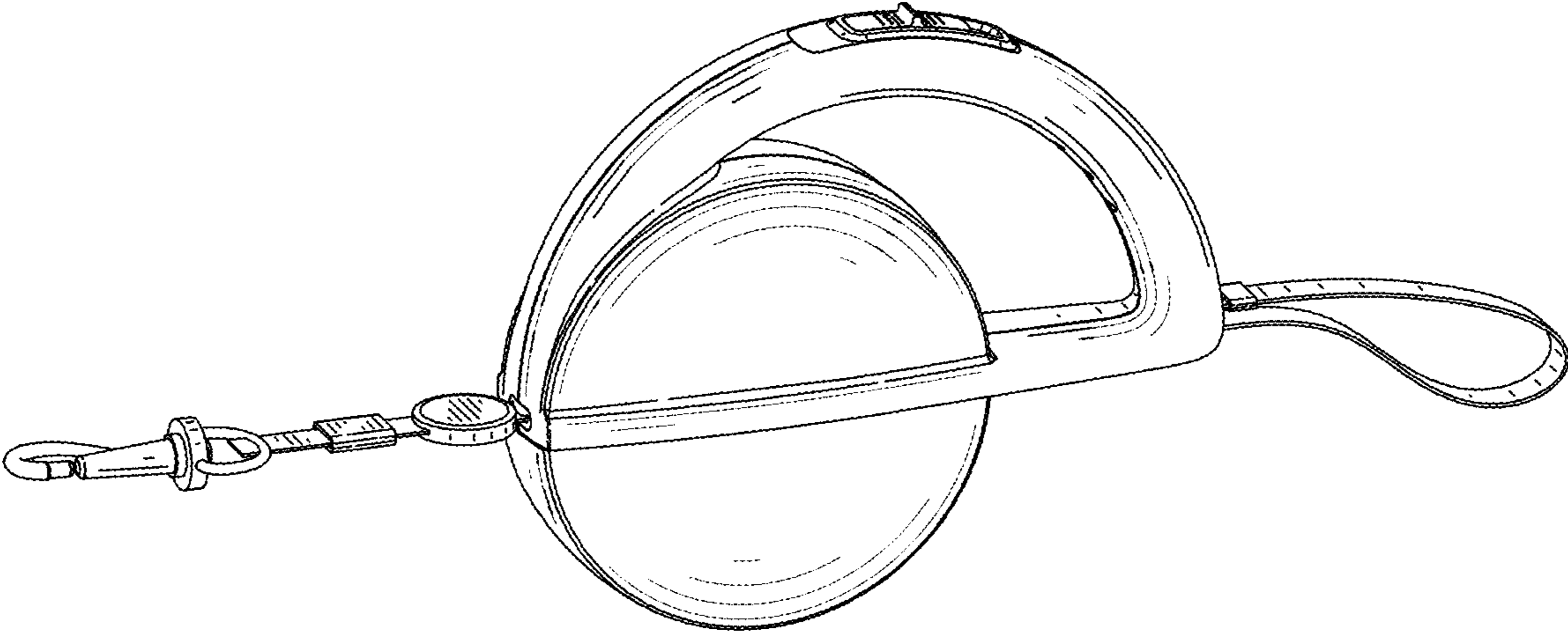


FIG. 1

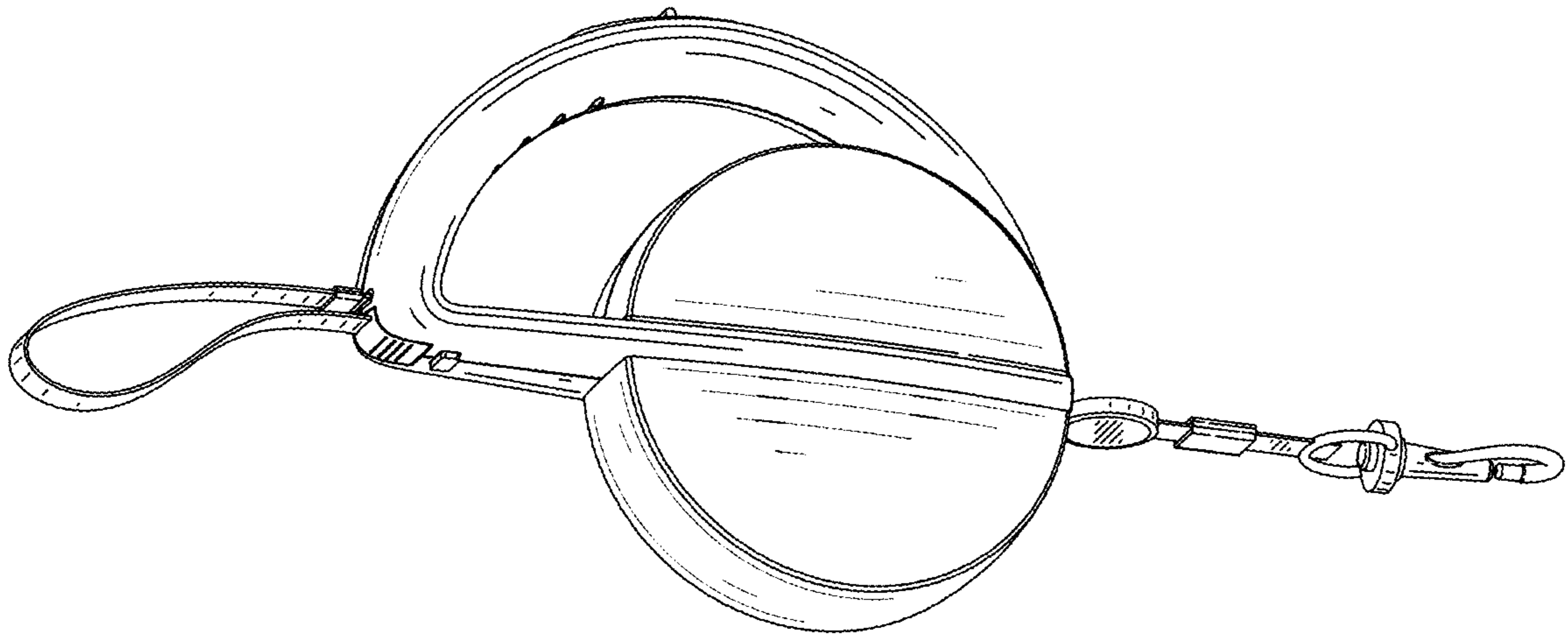


FIG. 2

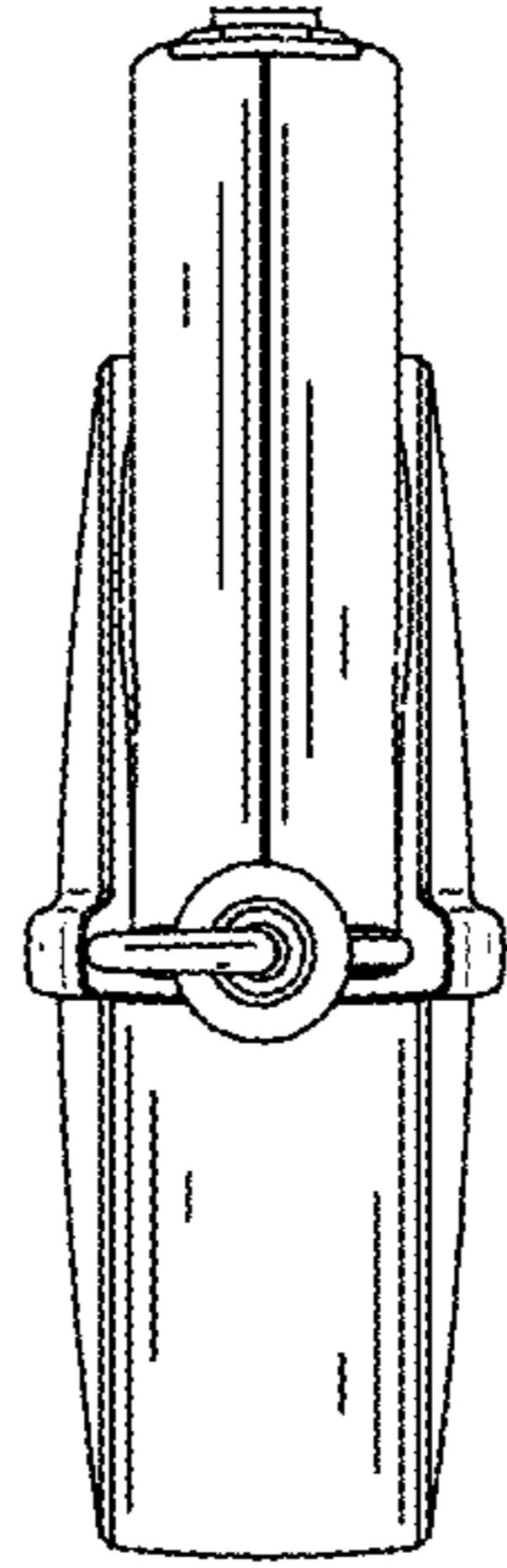


FIG. 3

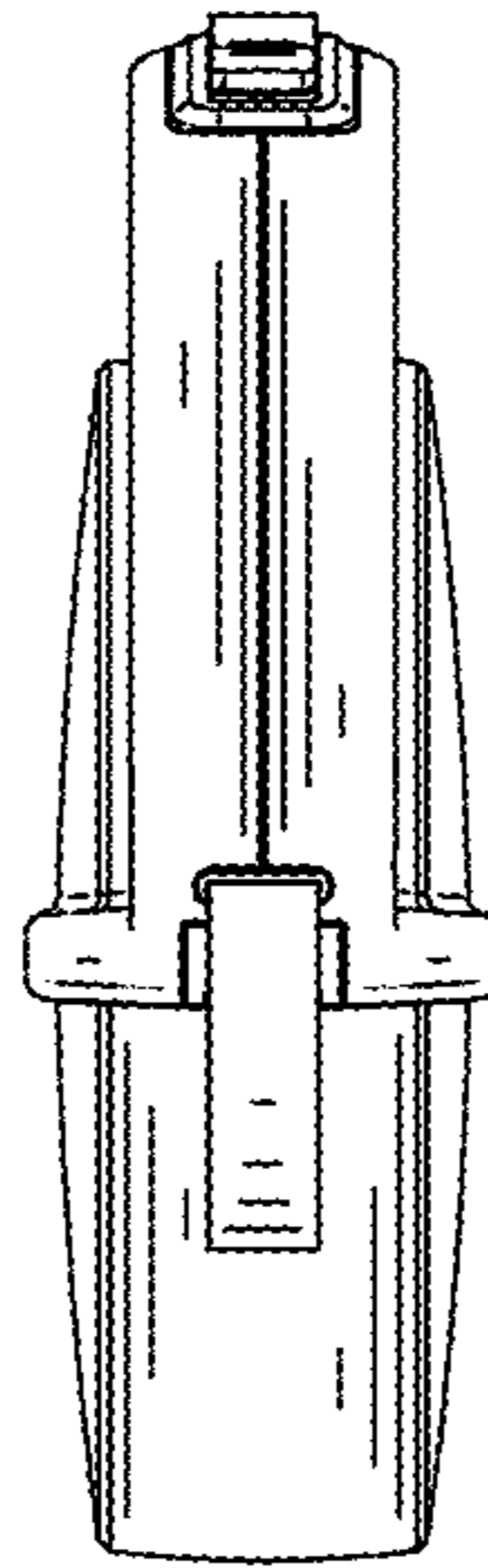


FIG. 4

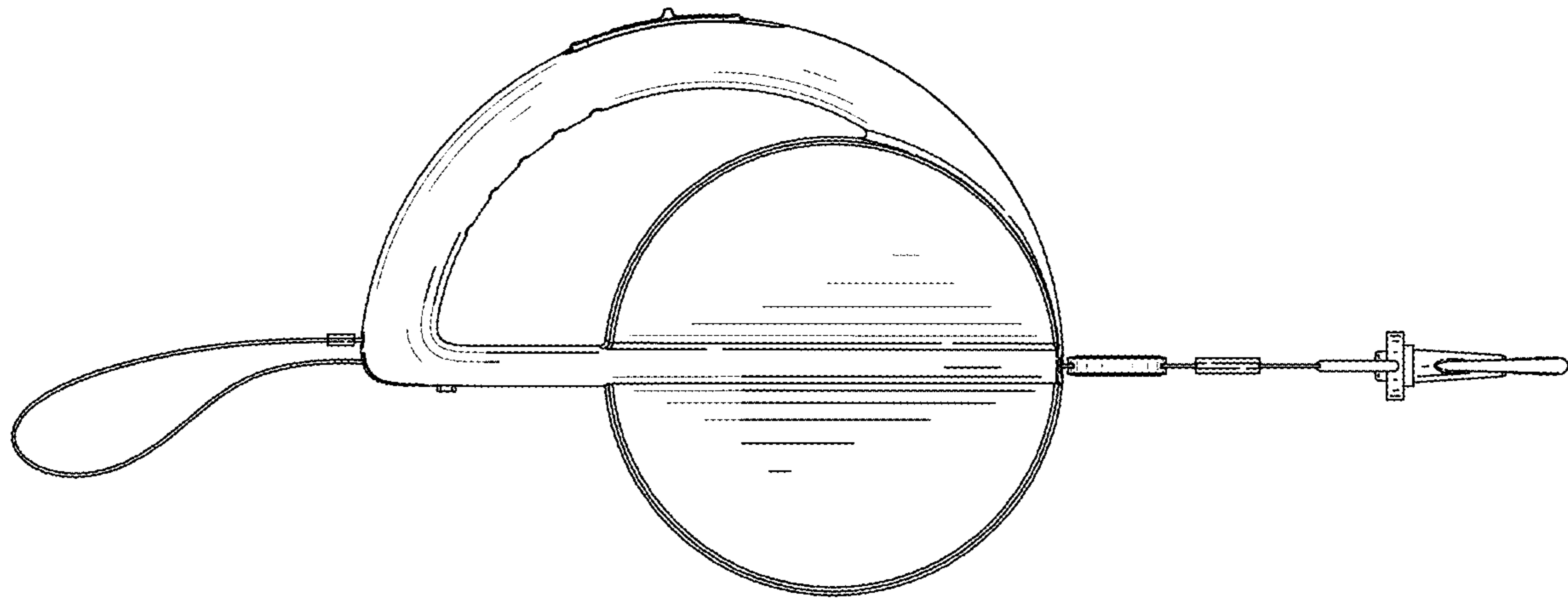


FIG. 5

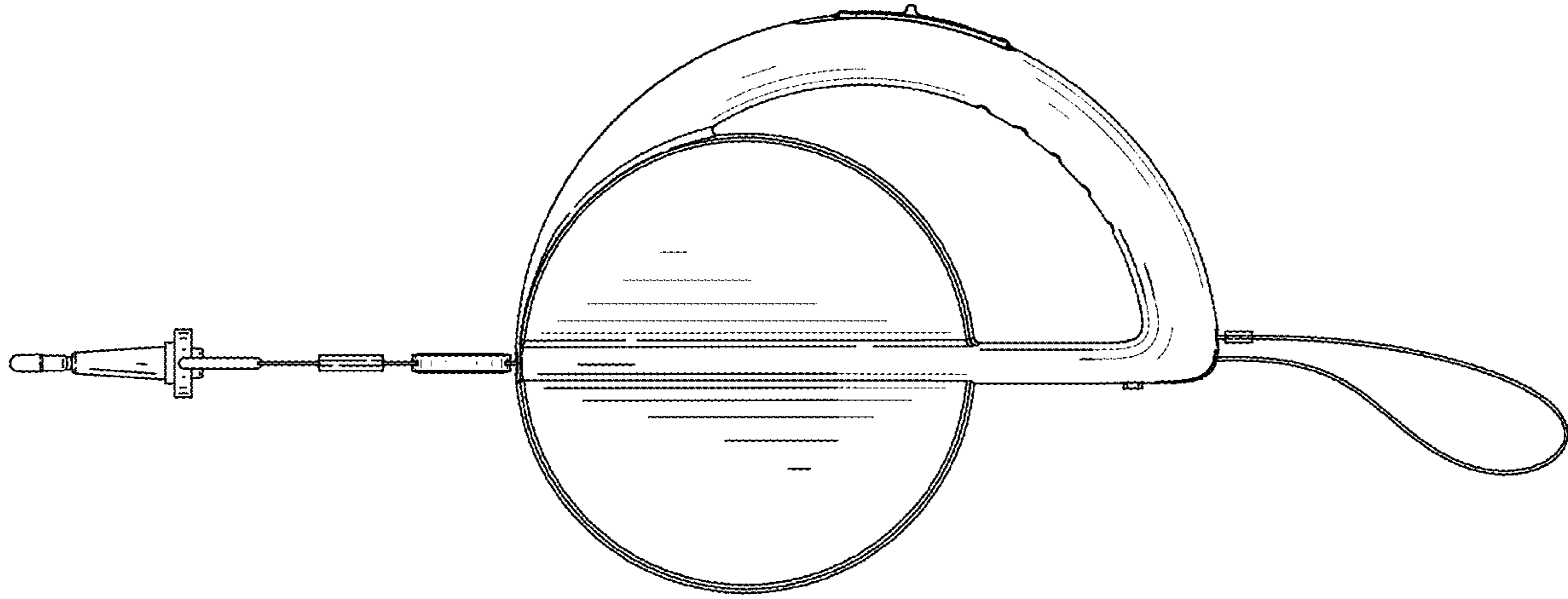


FIG. 6

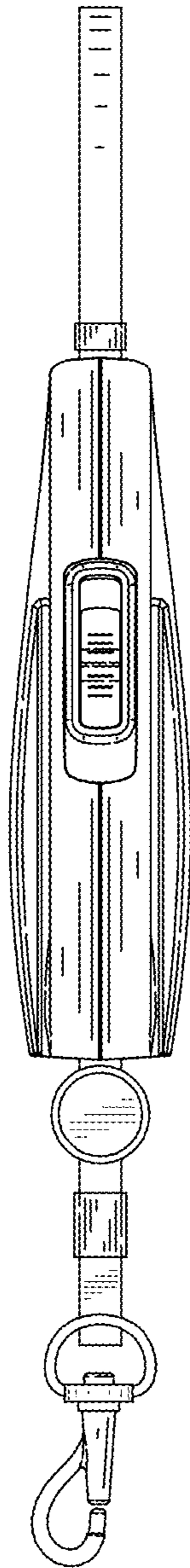


FIG. 7

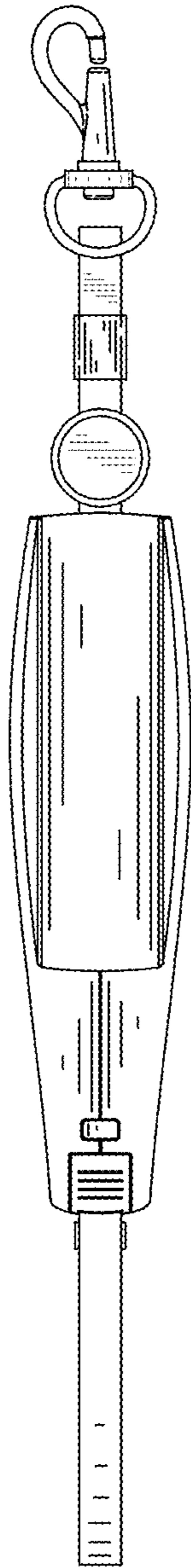


FIG. 8