



US00D972227S

(12) **United States Design Patent** (10) **Patent No.:** **US D972,227 S**
Tan (45) **Date of Patent:** **** Dec. 6, 2022**

(54) **PET FEEDER**

(71) Applicant: **Qiuning Tan**, Pingguo (CN)

(72) Inventor: **Qiuning Tan**, Pingguo (CN)

(**) Term: **15 Years**

(21) Appl. No.: **29/782,080**

(22) Filed: **May 4, 2021**

(51) **LOC (13) Cl.** **30-07**

(52) **U.S. Cl.**
USPC **D30/122**

(58) **Field of Classification Search**

USPC D30/121, 122, 129-133, 120; 119/61.5, 119/51.01, 61.56, 51.03, 59, 62, 63, 51.5, 119/57.8, 74, 61.54, 61.55, 53, 53.5, 75, 119/56.2, 51.02, 51.11, 51.12, 57.1, 52.1, 119/515; 312/204; 248/151, 188; 108/156, 153.1-157; 220/23.87, 630, 220/737, 743, 9.4, 495.01, 574, 212, 255, 220/23.83; 206/515; D7/586, 543, D7/550.1, 587, 505, 584, 545, 500, D7/553.1-553.8, 546, 555, 556, 504, 565, D7/562, 602, 605, 312, 313, 320, 307, D7/306, 309, 354, 311, 399, 397, 323, D7/332, 331, 347, 346, 322, 318, 317, D7/316, 619.1; D9/429; 43/109; D22/122; 99/430, DIG. 15, 280, 285, 99/312; 222/209, 131, 363, 349, 517, 222/153.13, 401, 1, 146.5, 23, 54, 64, 51, 222/156, 399, 400.8; 219/438, 439, 441, 219/385, 386, 402, 407; 210/94, 184, 210/474, 477; D15/199; D21/578
CPC A01K 5/02; A01K 5/0225; A01K 5/0114; A01K 5/025; A01K 5/0266; A01K 5/0275; A01K 5/0283; A01K 5/0291; A01K 5/0258; A01K 5/0142; A01K 5/0233; A01K 29/00; A01K 7/00; G01F 11/24; G01F 23/02; B67D 1/0425; B67D 1/04; B67D 1/00; B67D 1/02; B67D 1/0871; B67D 1/0802;

(Continued)

(56) **References Cited**

U.S. PATENT DOCUMENTS

3,085,718 A * 4/1963 Nelson A47F 1/08
222/437
3,112,733 A * 12/1963 Arnott A01K 7/02
119/77

(Continued)

Primary Examiner — Susan Moon Lee

(74) *Attorney, Agent, or Firm* — Tsz Lung Yeung

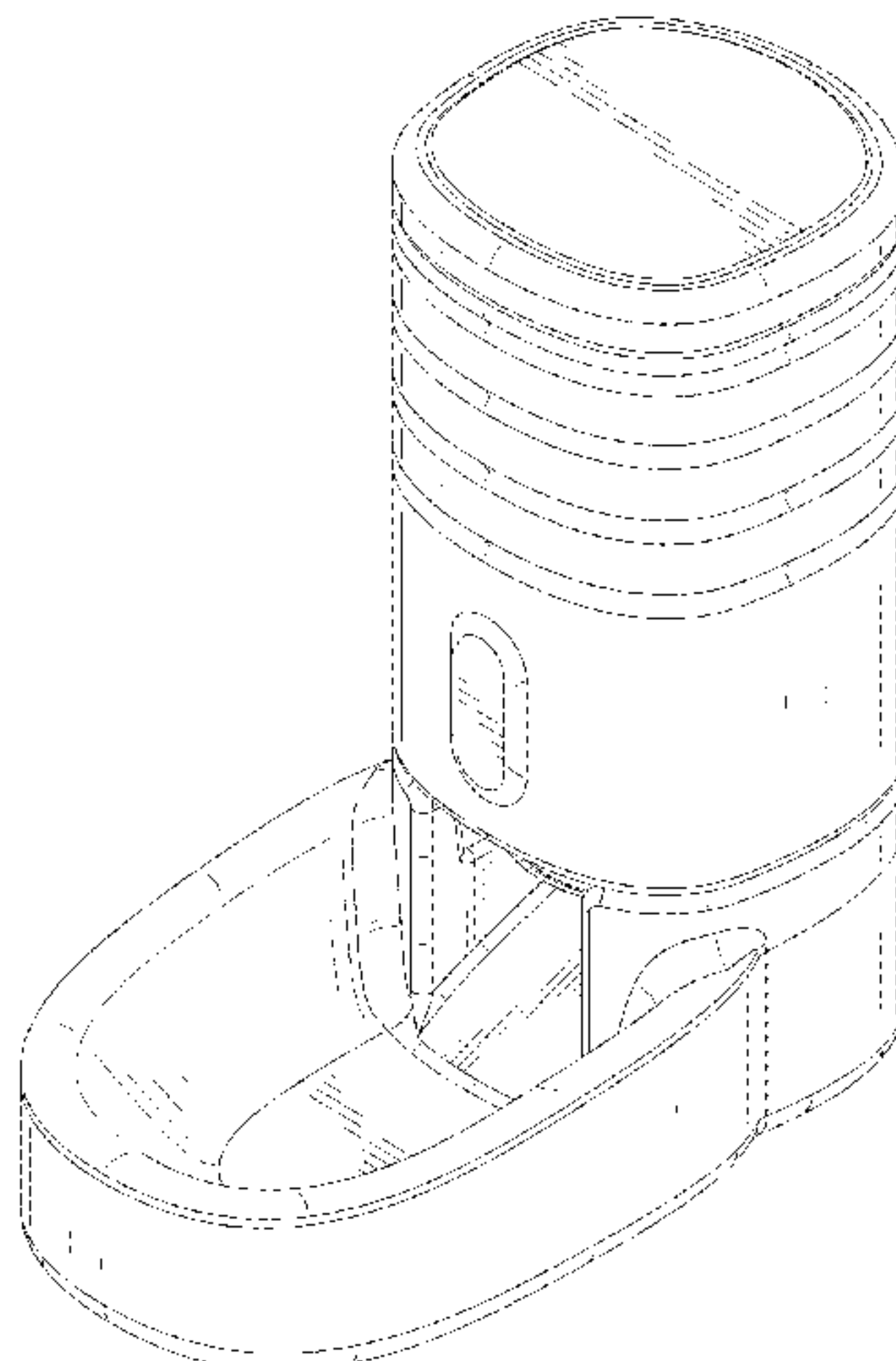
(57) **CLAIM**

The ornamental design for a pet feeder, as shown and described.

DESCRIPTION

FIG. 1 is a perspective view of a pet feeder showing my new design;
FIG. 2 is a rear perspective view thereof;
FIG. 3 is a front view thereof;
FIG. 4 is a rear view thereof;
FIG. 5 is a left side view thereof;
FIG. 6 is a right side view thereof;
FIG. 7 is a top view thereof;
FIG. 8 is a bottom view thereof;
FIG. 9 is an exploded perspective view thereof;
FIG. 10 is a perspective view of a pet feeder showing my new design according to a second embodiment;
FIG. 11 is a rear perspective view thereof;
FIG. 12 is a front view thereof;
FIG. 13 is a rear view thereof;
FIG. 14 is a left side view thereof;
FIG. 15 is a right side view thereof;
FIG. 16 is a top view thereof;
FIG. 17 is a bottom view thereof; and,
FIG. 18 is an exploded perspective view thereof.
The broken lines depict portions of the pet feeder that form no part of the design claim.

1 Claim, 18 Drawing Sheets



(58) **Field of Classification Search**
 CPC .. A47J 41/0033; A47J 41/005; A47J 41/0088;
 A47J 41/0094; A47J 31/04; A47J 31/053;
 B05B 11/00; B05B 11/0002; B05B
 11/0005; B05B 11/001; C02F 1/003;
 C02F 1/283; C02F 2307/02
 See application file for complete search history.

(56) **References Cited**

U.S. PATENT DOCUMENTS

3,568,893 A * 3/1971 Becker G01F 11/24
 222/363
 3,720,184 A * 3/1973 Pearce A01K 5/0225
 119/51.5
 D232,847 S * 9/1974 Okubo D30/121
 4,721,063 A * 1/1988 Atchley A01K 5/0114
 D30/132
 4,840,143 A * 6/1989 Simon A01K 5/0225
 43/131
 5,333,571 A * 8/1994 Re A01K 5/0291
 119/56.1
 D351,689 S * 10/1994 VanSkiver D30/132
 D371,643 S * 7/1996 Lillelund D30/122
 D374,109 S * 9/1996 Lillelund D30/121
 D374,516 S * 10/1996 Lillelund D30/132
 5,845,600 A * 12/1998 Mendes A01K 7/02
 119/51.5
 6,135,056 A * 10/2000 Kuo A01K 5/0291
 222/413
 6,467,428 B1 * 10/2002 Andrisin A01K 5/0114
 119/51.5
 6,477,981 B1 * 11/2002 Harper A01K 5/0225
 119/51.01
 6,739,284 B1 * 5/2004 Olive A01K 39/0206
 119/72
 6,843,205 B1 * 1/2005 Segreto A01K 5/0114
 119/515
 7,040,249 B1 * 5/2006 Mushen A01K 5/0225
 119/51.5
 D563,605 S * 3/2008 Morris D30/129
 D581,197 S * 11/2008 Kassenaar D7/309
 D602,301 S * 10/2009 Romandy 313/309
 D612,658 S * 3/2010 Schenk D7/307
 7,895,973 B1 * 3/2011 Whelan A01K 5/0225
 119/51.02

7,913,647 B1 * 3/2011 Martin A01K 7/04
 119/52.1
 7,926,413 B2 * 4/2011 Hart A47J 31/4403
 399/306
 D645,286 S * 9/2011 Porebski D7/311
 8,066,206 B1 * 11/2011 Cotham A01K 5/0225
 239/152
 D664,304 S * 7/2012 Whelan D30/129
 8,336,493 B1 * 12/2012 Weber A01K 5/0114
 119/52.1
 D678,624 S * 3/2013 Willett A01K 5/0142
 D30/132
 D751,774 S * 3/2016 Allen D30/122
 9,560,833 B2 * 2/2017 Qiu A01K 7/00
 D801,595 S * 10/2017 Oates D30/132
 D835,356 S * 12/2018 Xie D30/122
 D843,665 S * 3/2019 Zeng D30/122
 D852,431 S * 6/2019 Ma D30/122
 D876,022 S * 2/2020 Hua D30/122
 D893,109 S * 8/2020 Zeng D30/122
 D907,305 S * 1/2021 Wang D30/122
 D920,592 S * 5/2021 Tang D30/122
 D923,257 S * 6/2021 Wu D30/122
 11,160,253 B2 * 11/2021 Mundell G06T 7/20
 D939,784 S * 12/2021 Ren D30/122
 D940,404 S * 1/2022 Dong D30/122
 D945,712 S * 3/2022 Zeng D30/122
 D945,713 S * 3/2022 Zeng D30/122
 D946,216 S * 3/2022 Xiao D30/122
 D947,924 S * 4/2022 Zheng D16/208
 2007/0012253 A1 * 1/2007 Zheng A01K 5/02
 119/51.02
 2010/0122660 A1 * 5/2010 Willett A01K 7/00
 119/61.5
 2011/0197819 A1 * 8/2011 Montgomery A01K 5/0291
 119/51.11
 2013/0269620 A1 * 10/2013 Qiu A01K 7/00
 119/56.1
 2014/0083364 A1 * 3/2014 Anderson A01K 15/021
 119/51.01
 2016/0007564 A1 * 1/2016 Ma A01K 5/0225
 119/57.1
 2020/0100459 A1 * 4/2020 Chen A01K 5/0225
 2020/0275634 A1 * 9/2020 Griswold A01K 5/0225
 2021/0282367 A1 * 9/2021 Yuan A01K 5/0291
 2021/0289745 A1 * 9/2021 Tsai A01K 5/0225
 2021/0315185 A1 * 10/2021 Qiu A01K 15/021

* cited by examiner

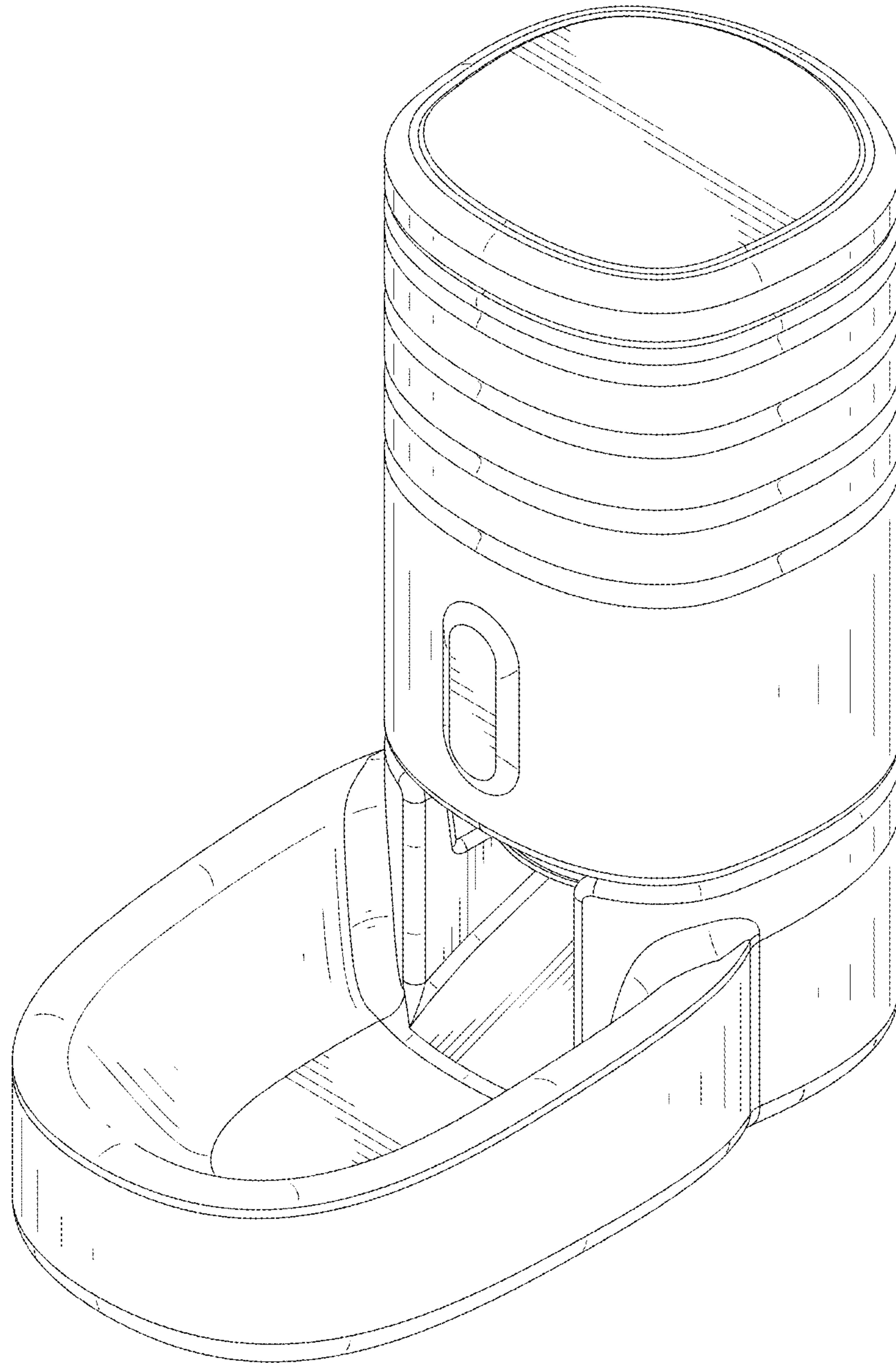


FIG.1

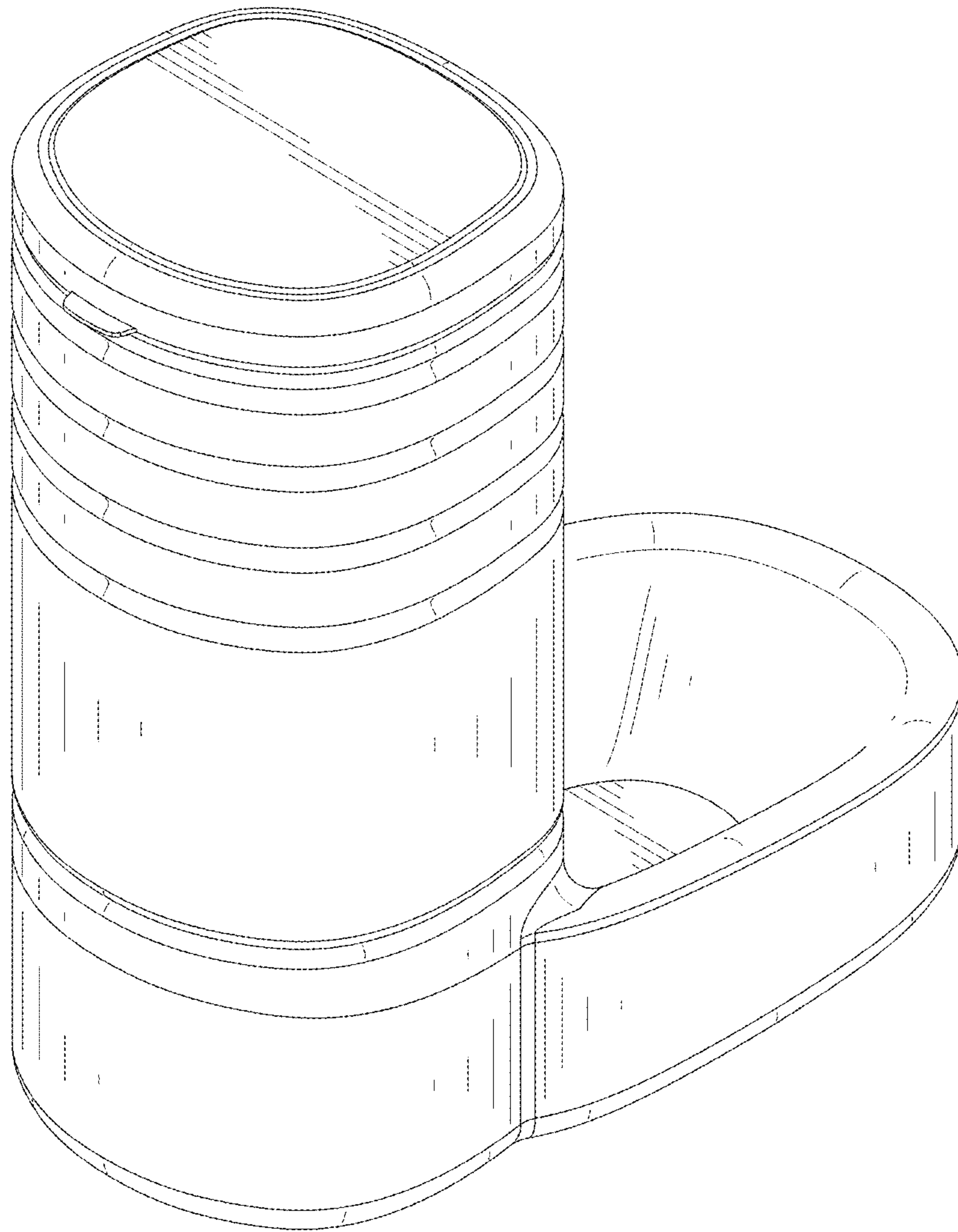


FIG.2

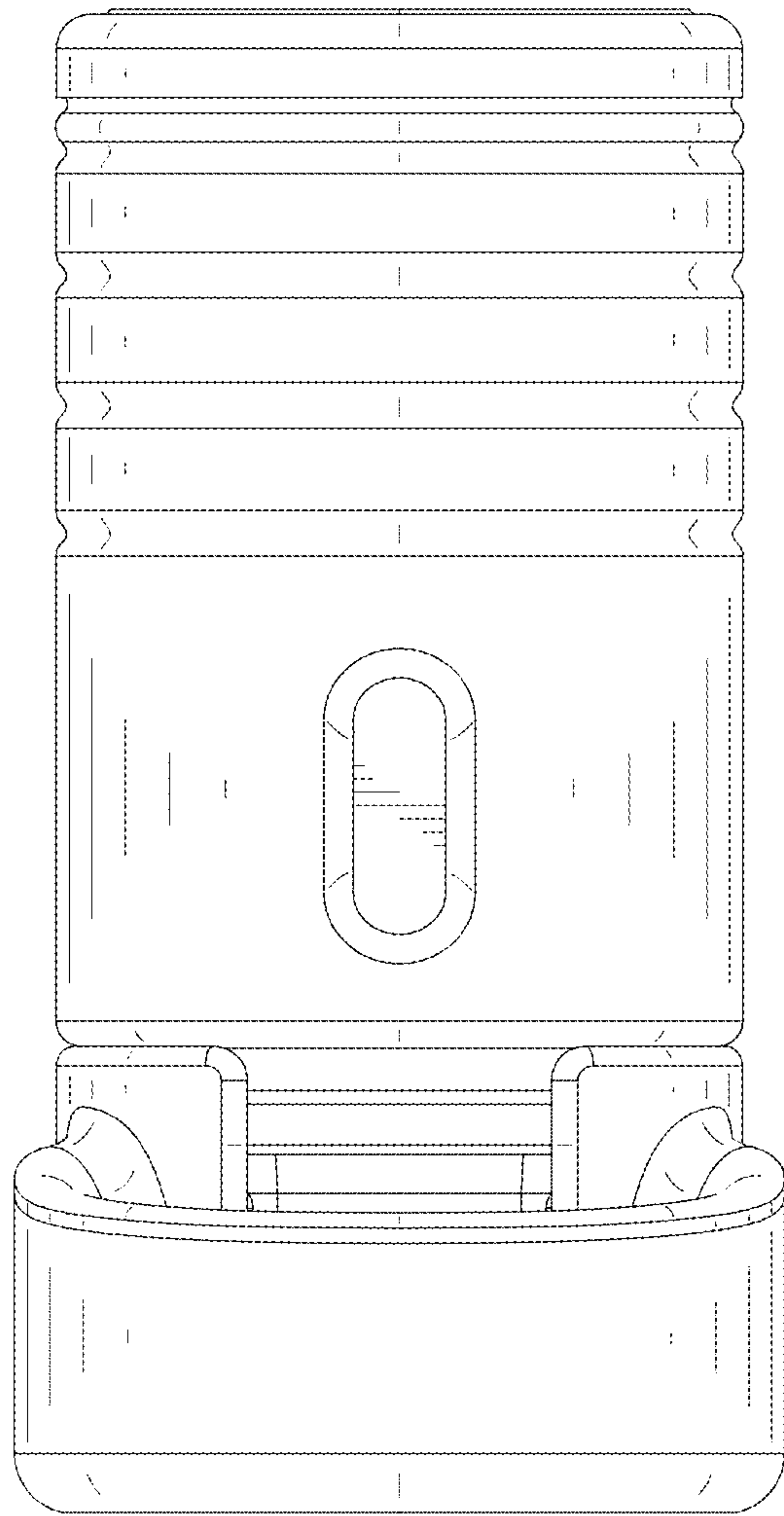


FIG.3

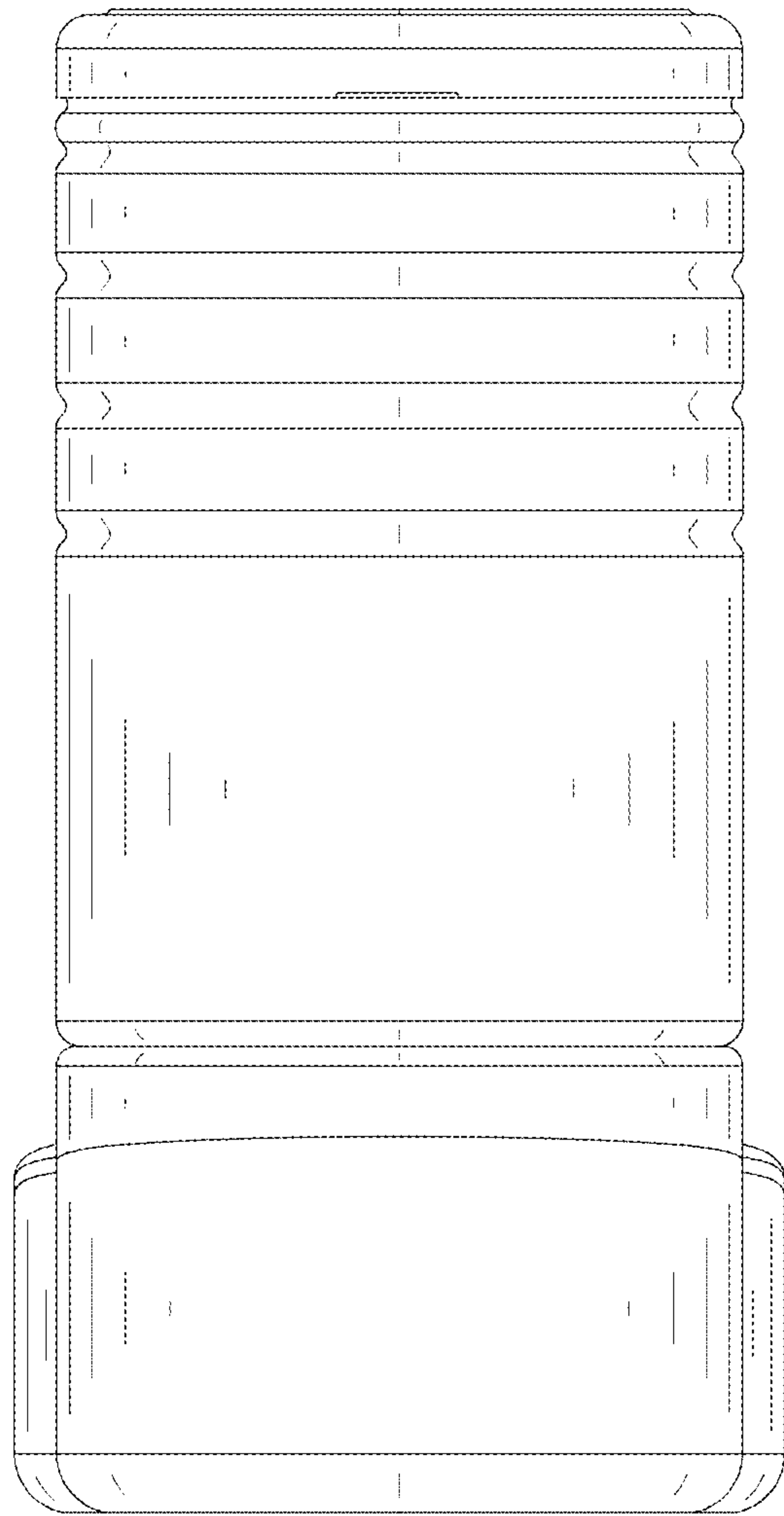


FIG.4

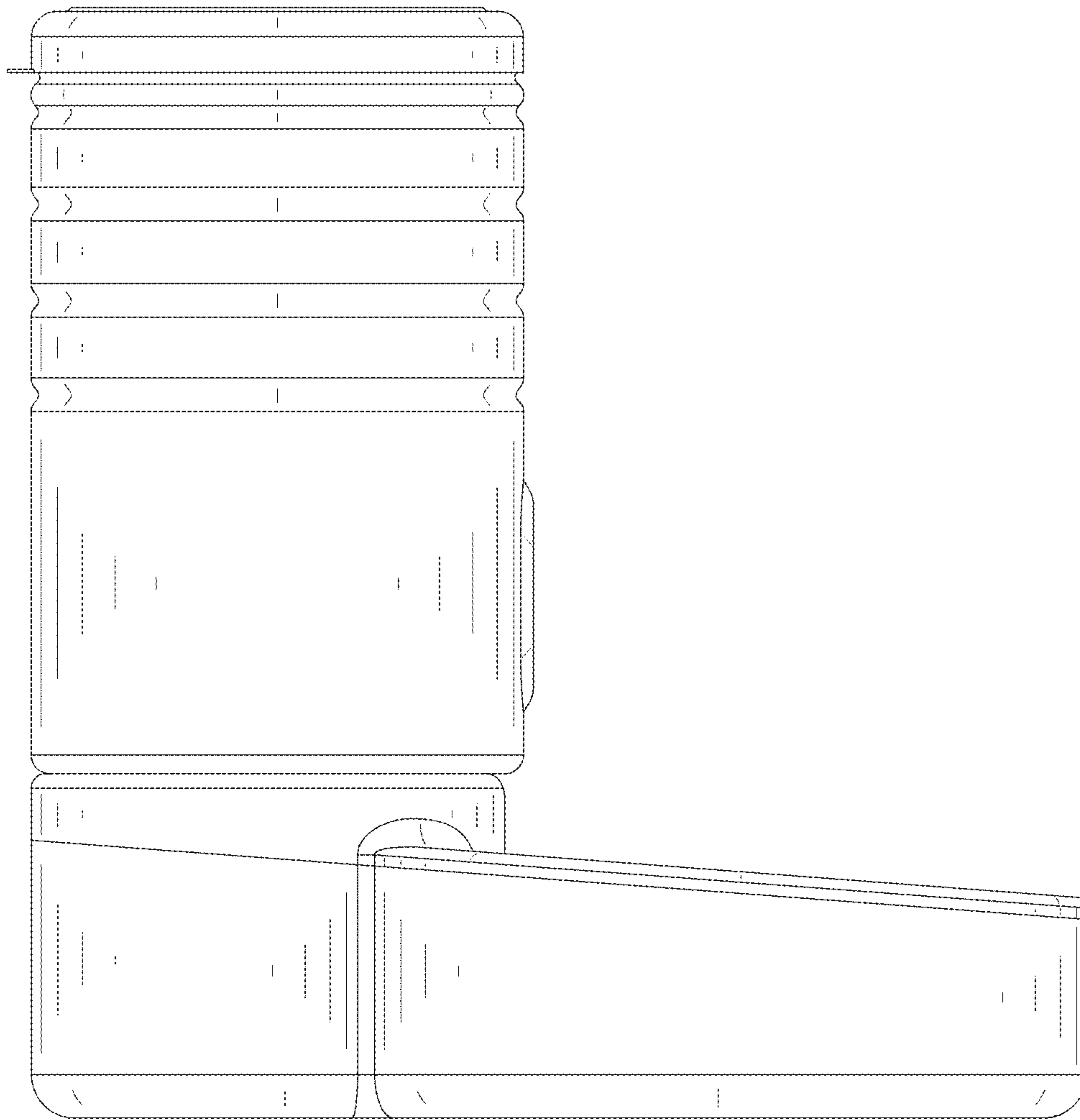


FIG.5

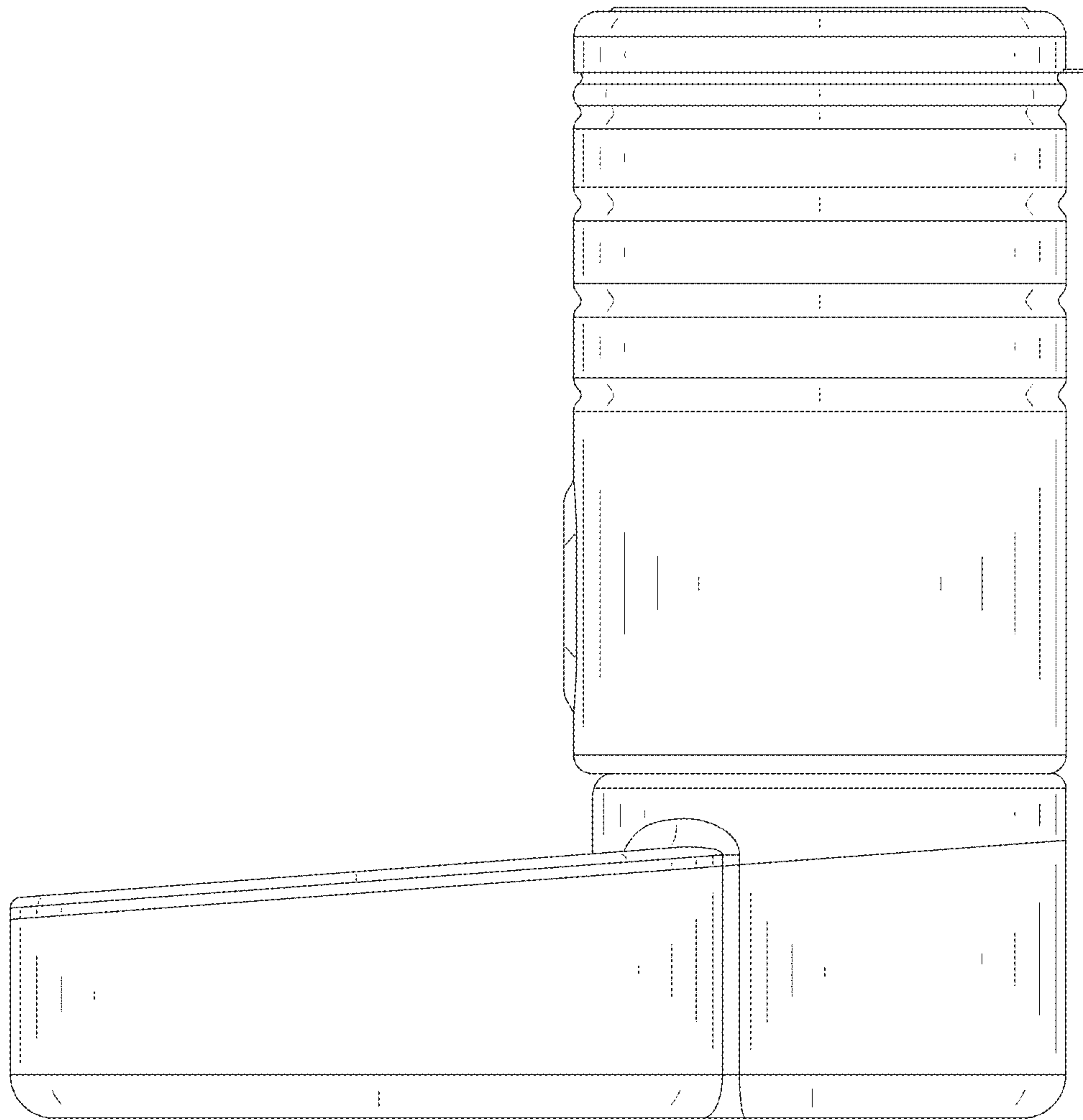


FIG.6

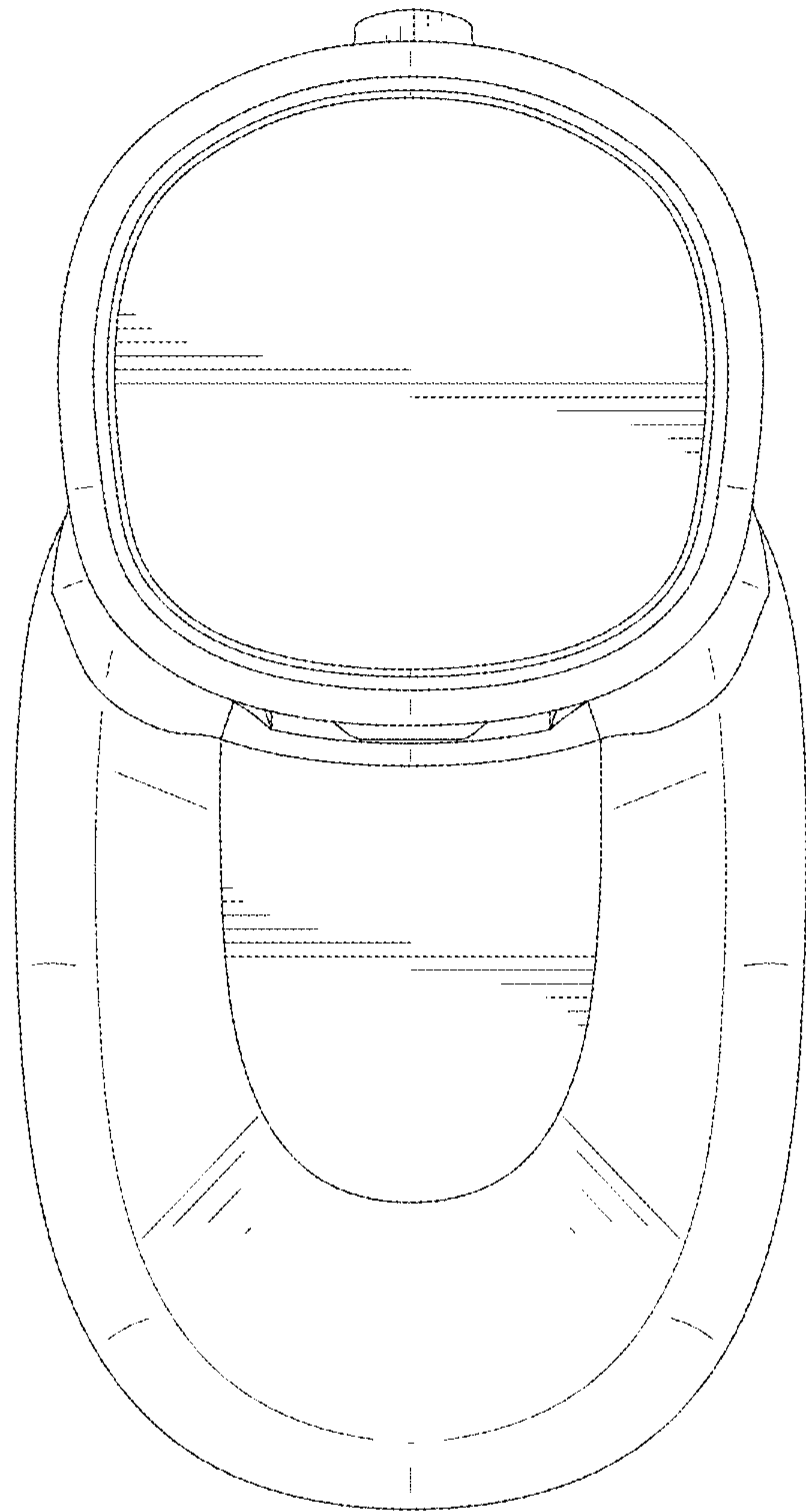


FIG.7

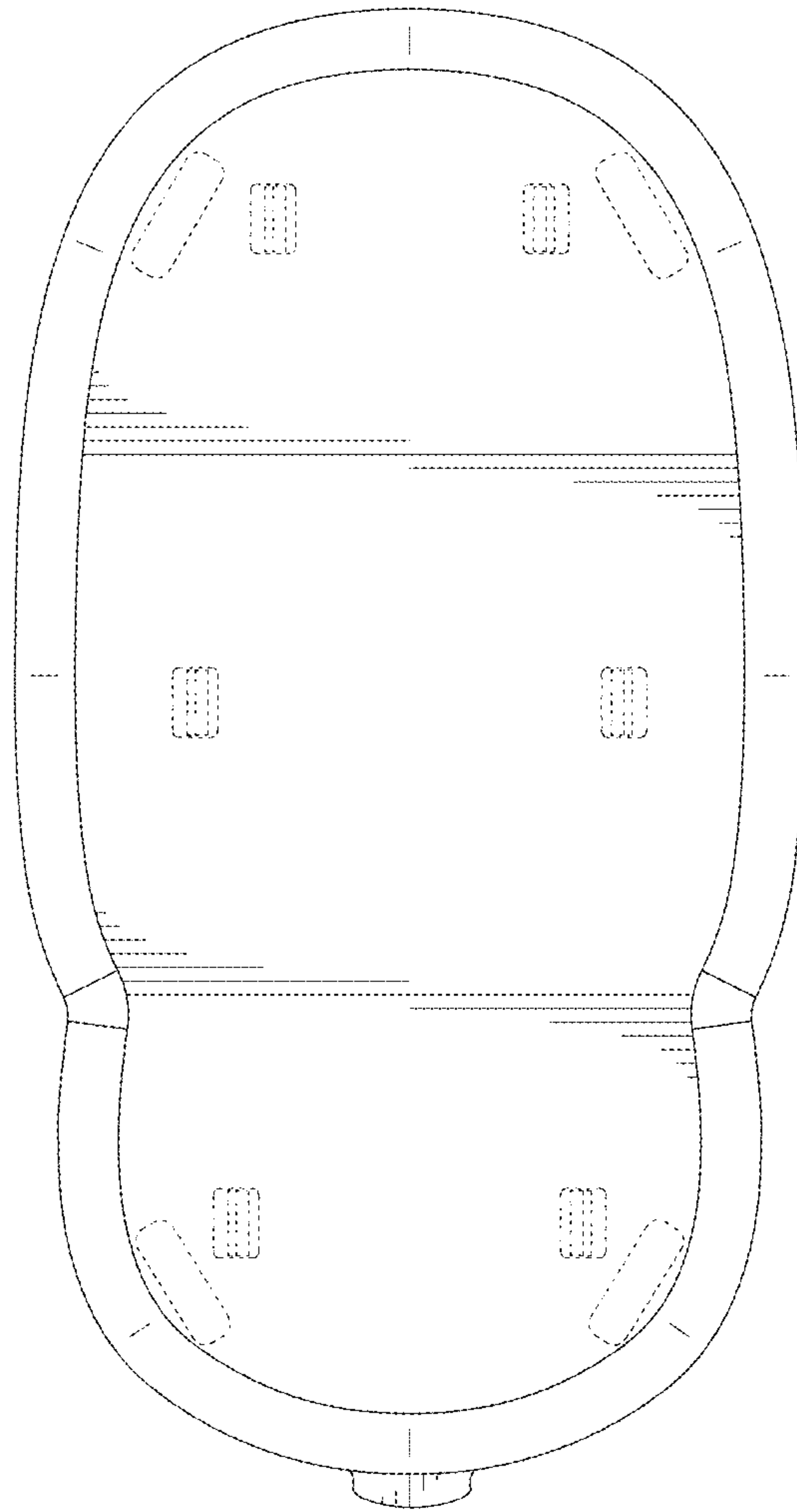


FIG.8

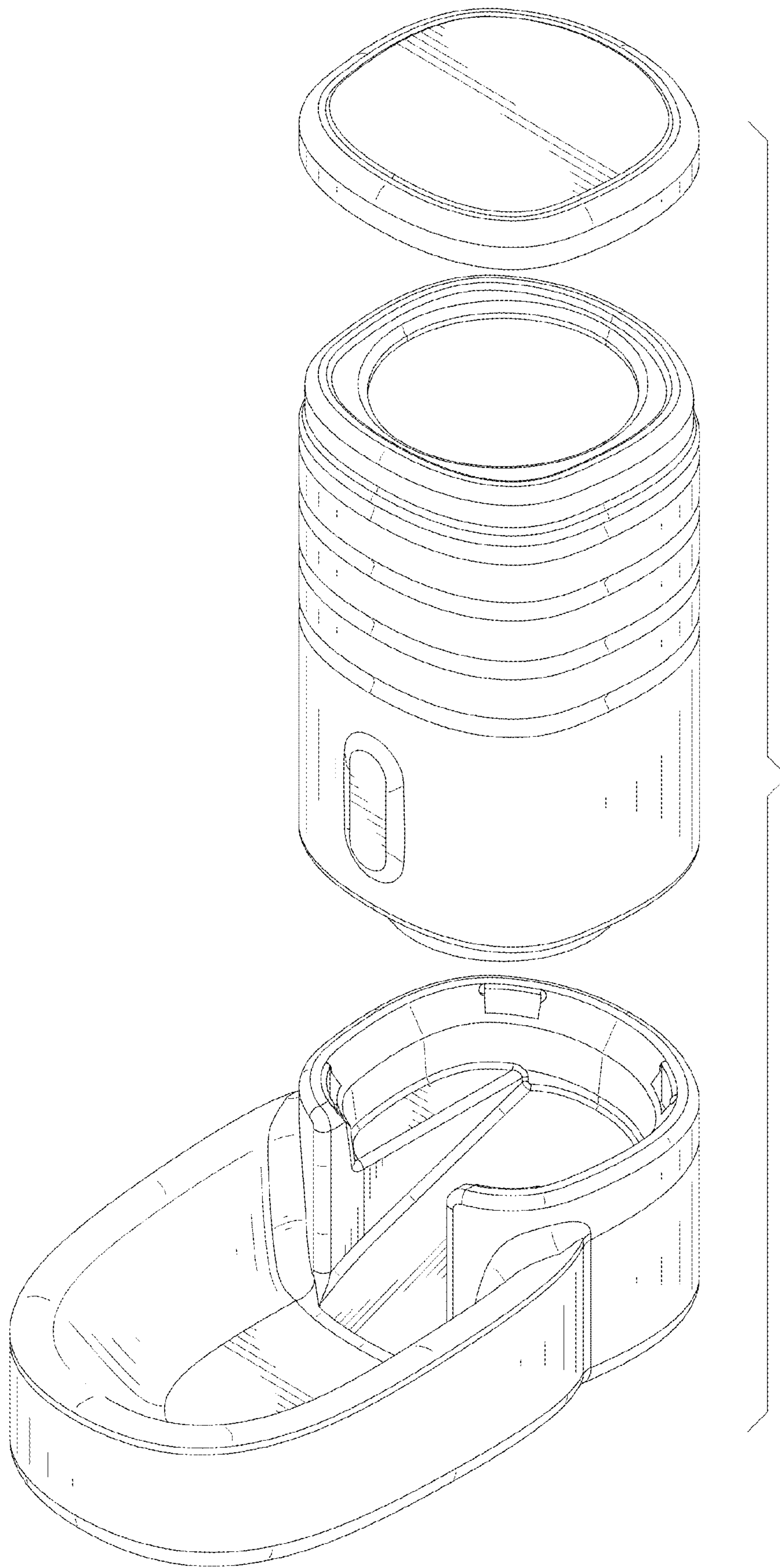


FIG.9

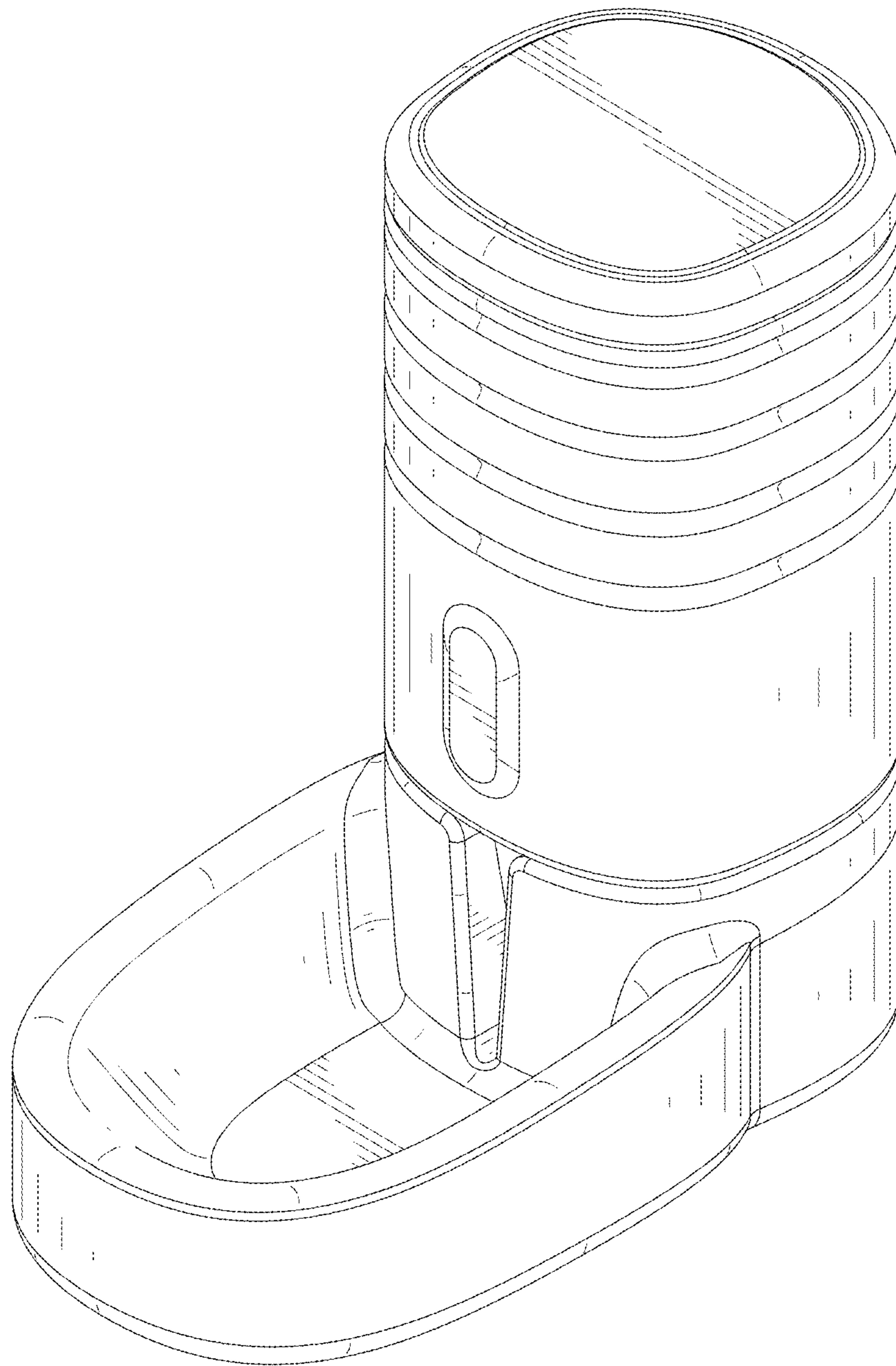


FIG.10

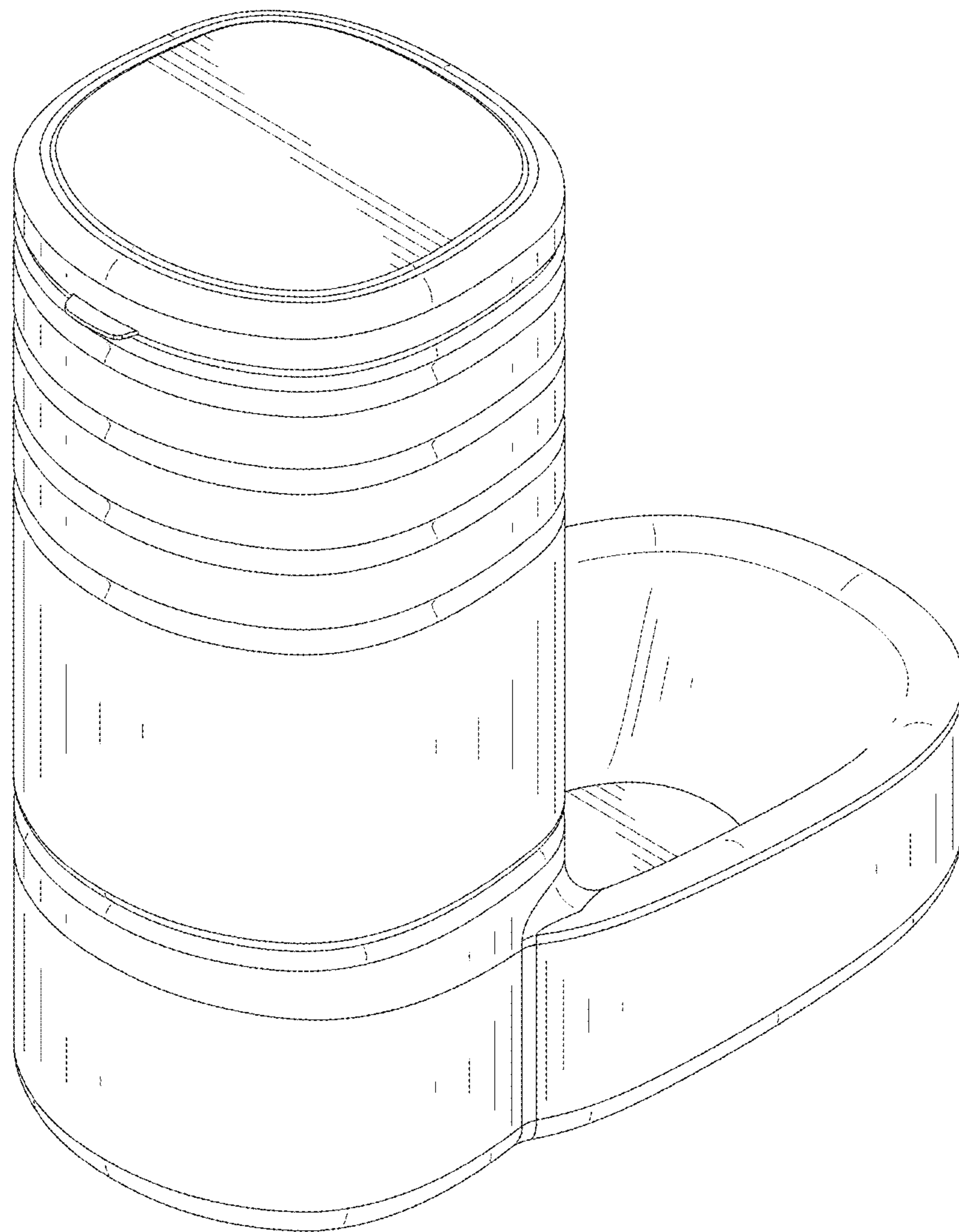


FIG.11

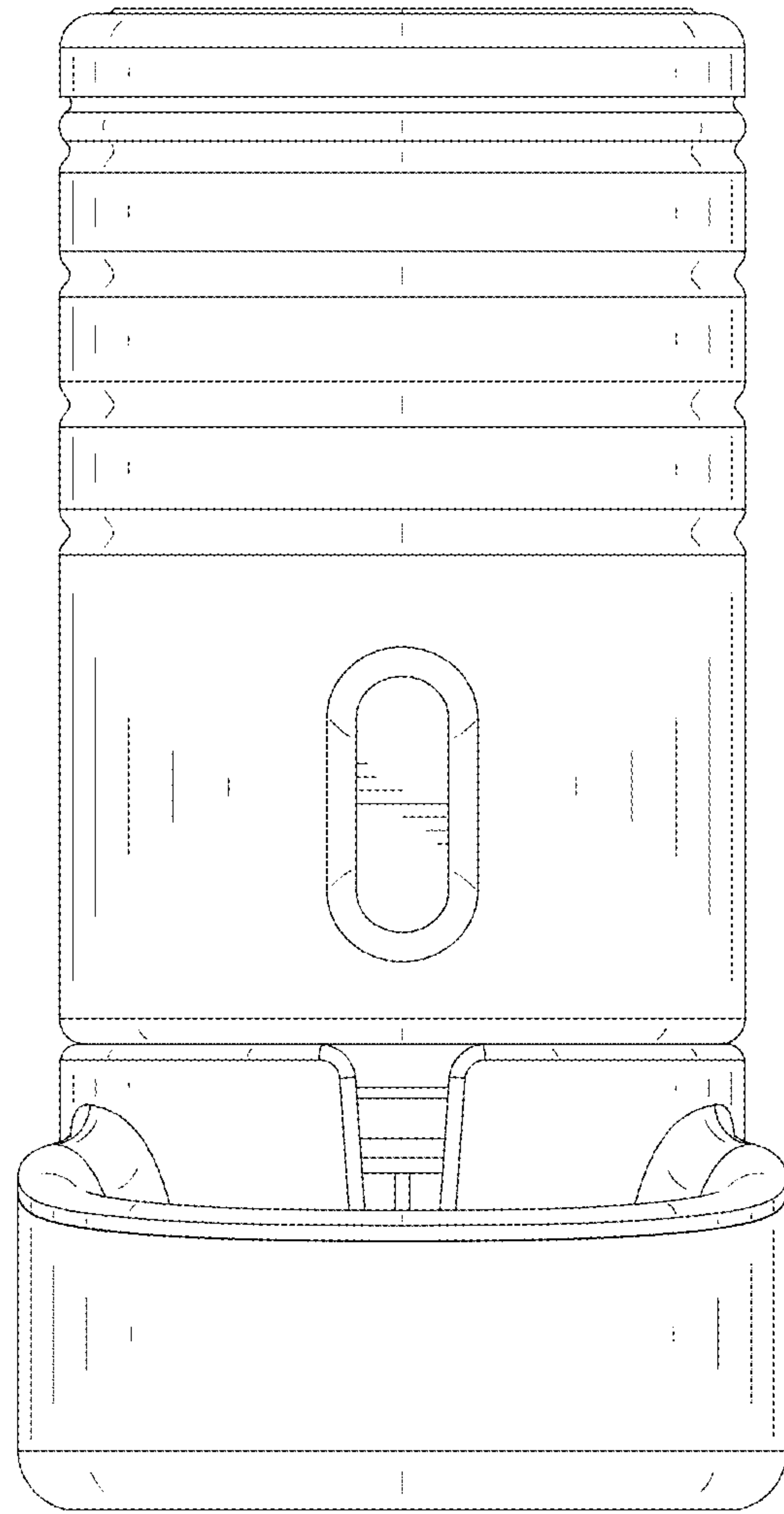


FIG.12

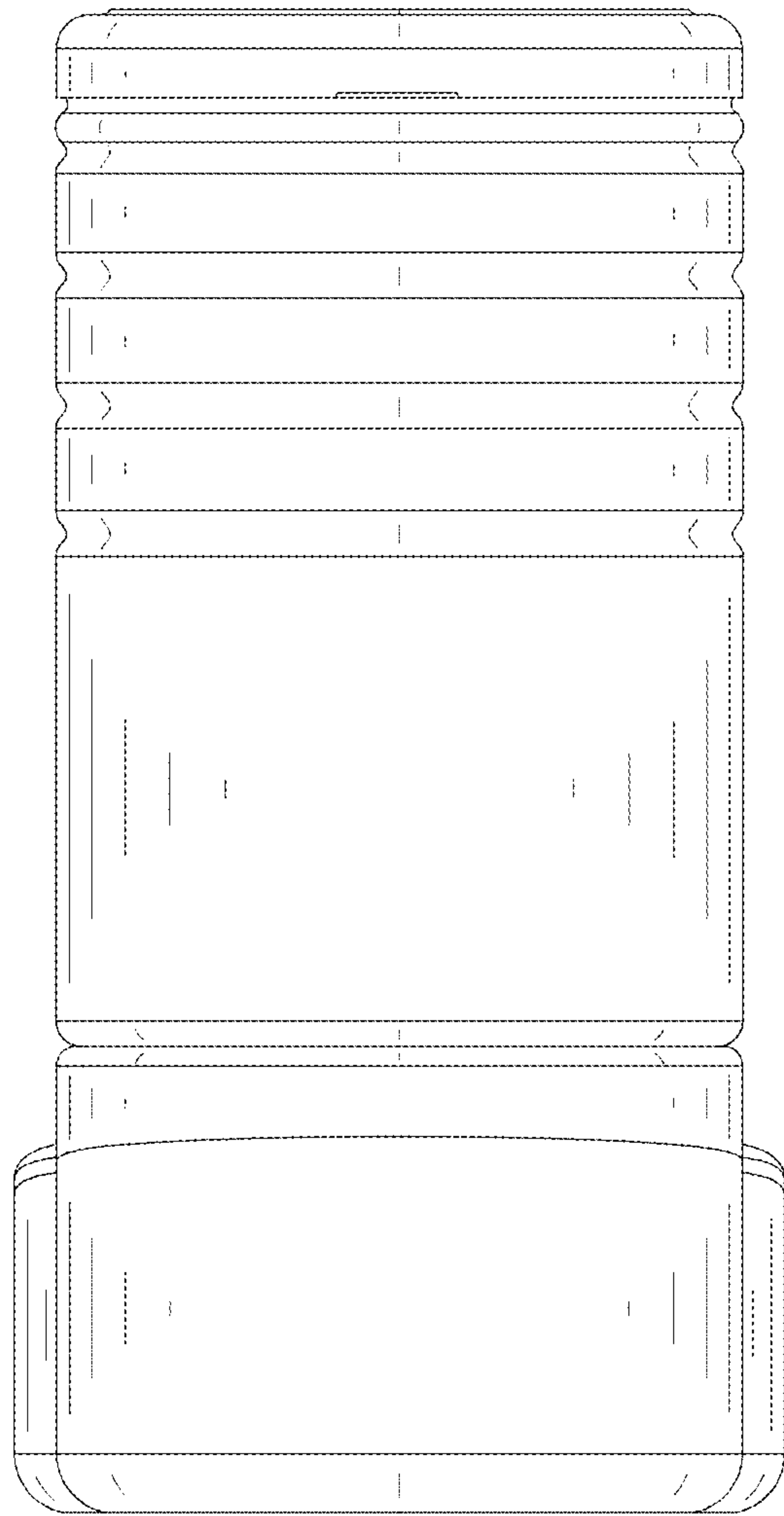


FIG.13

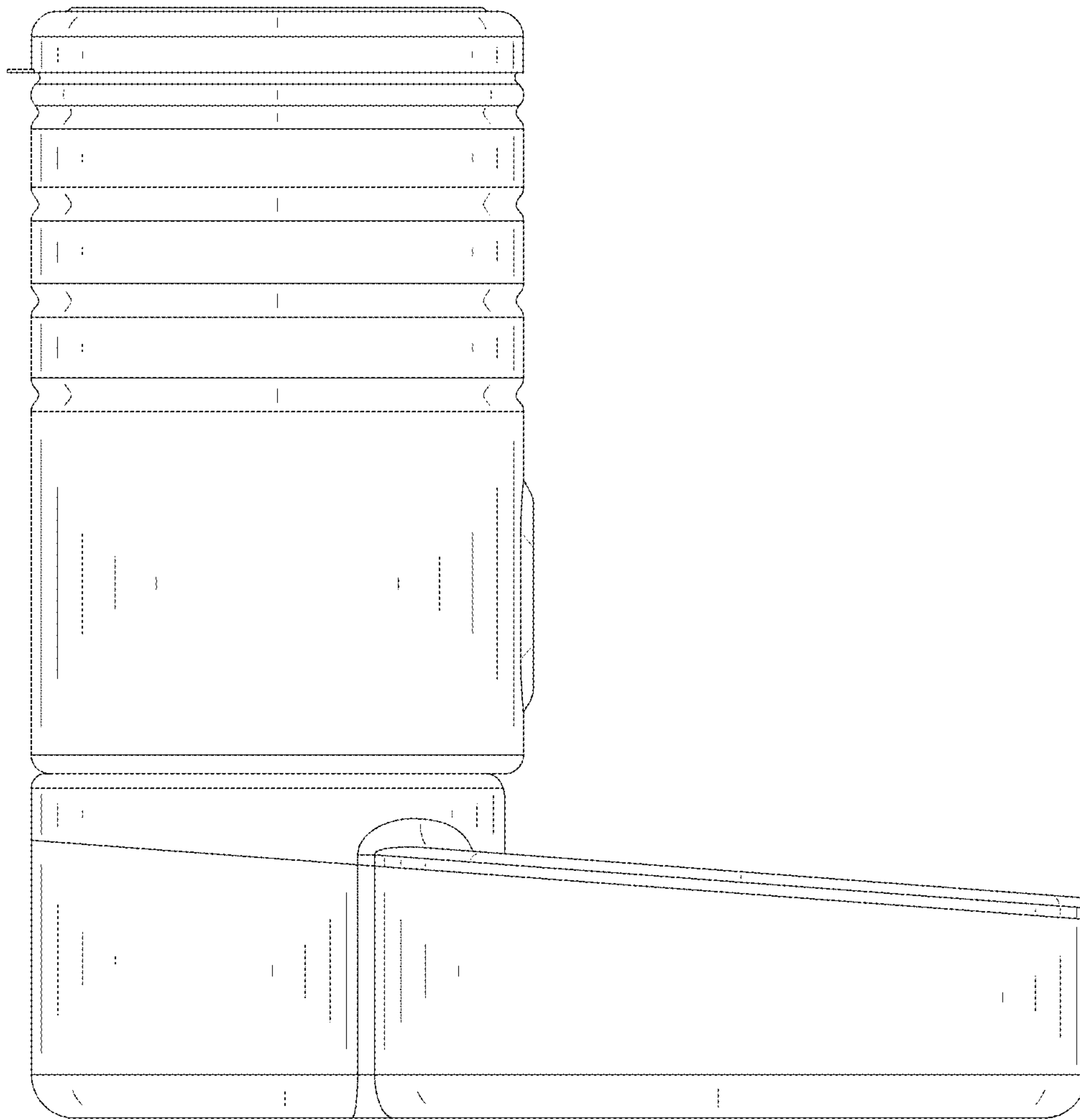


FIG.14

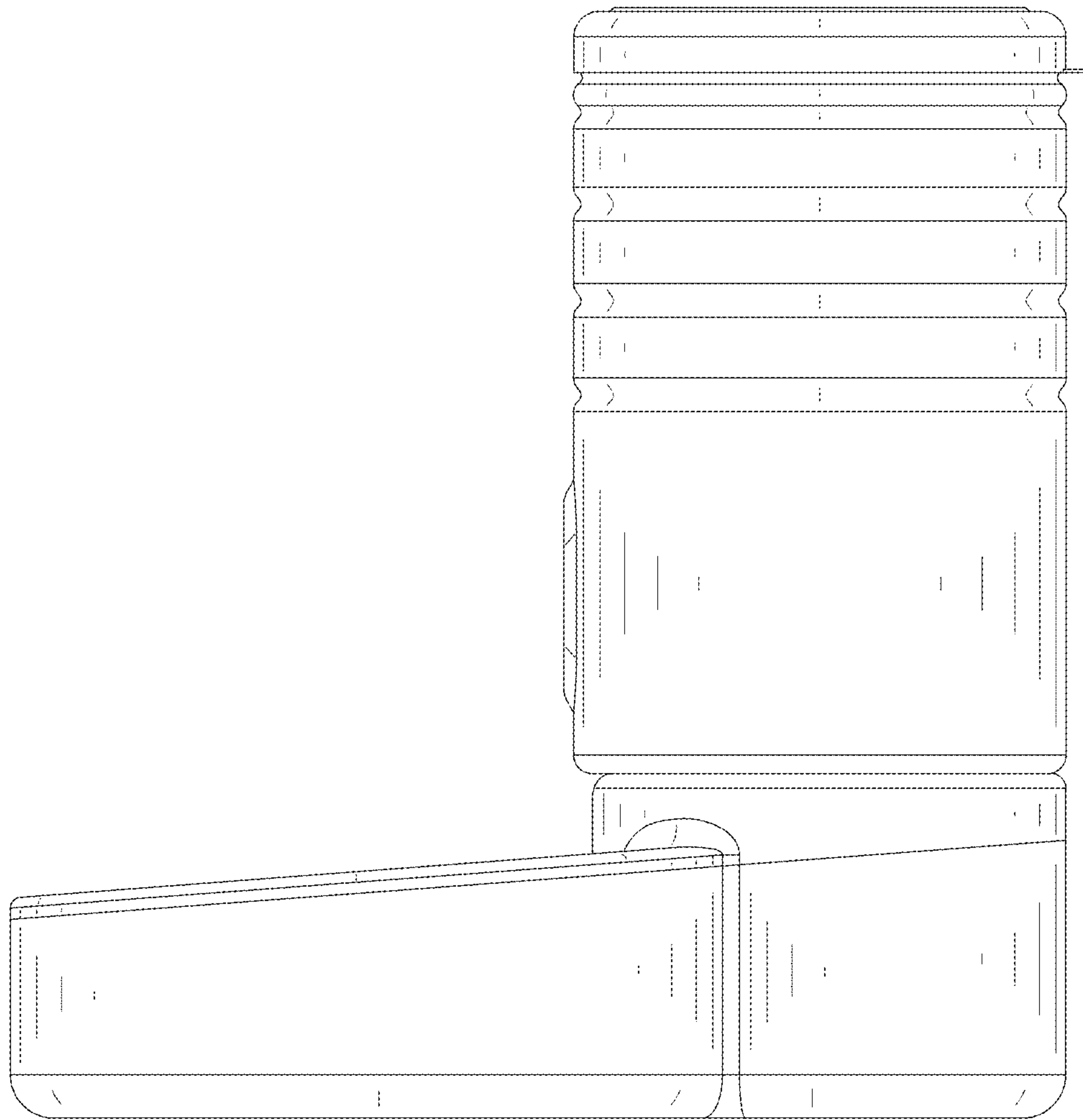


FIG.15

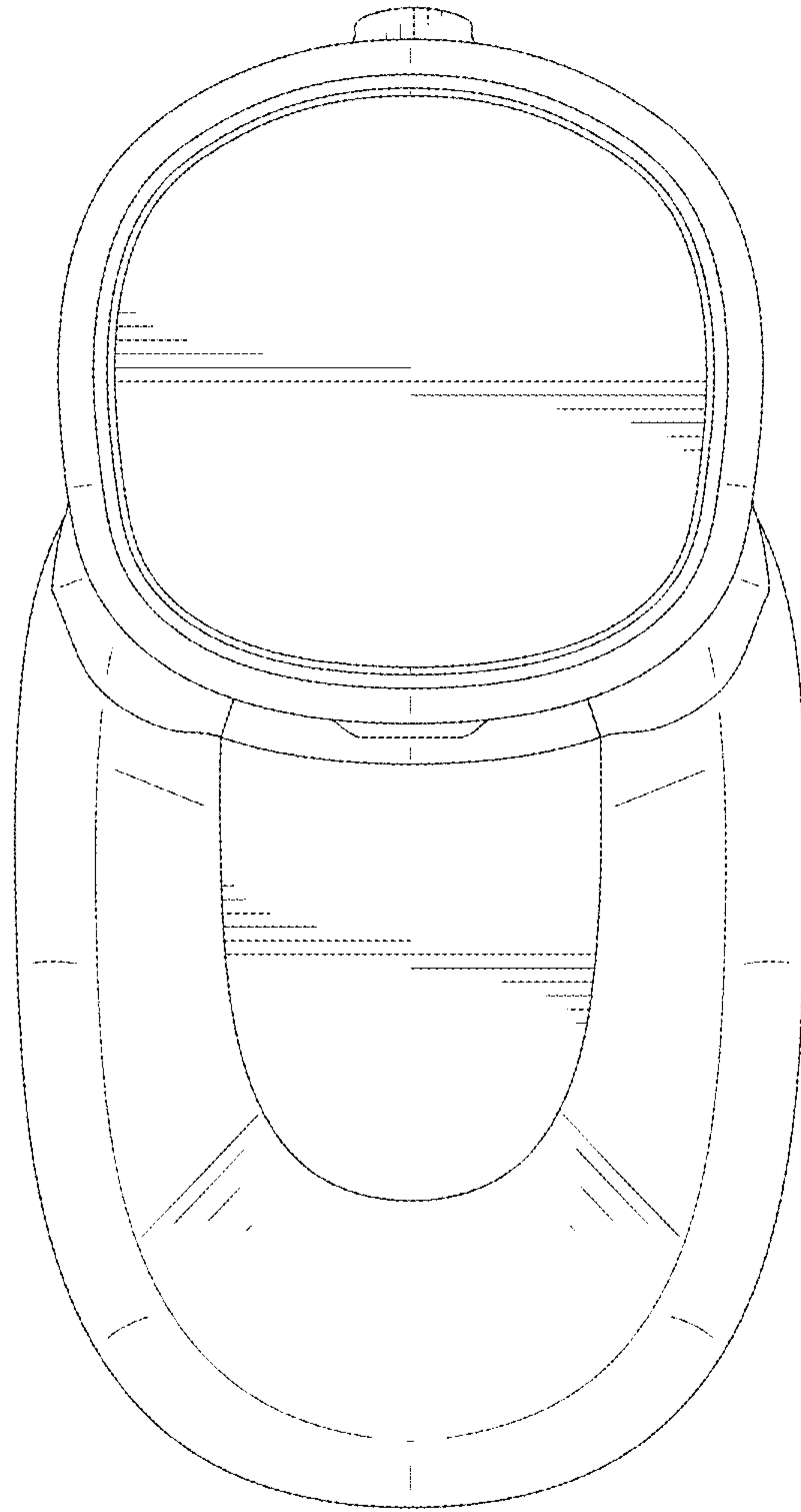


FIG.16

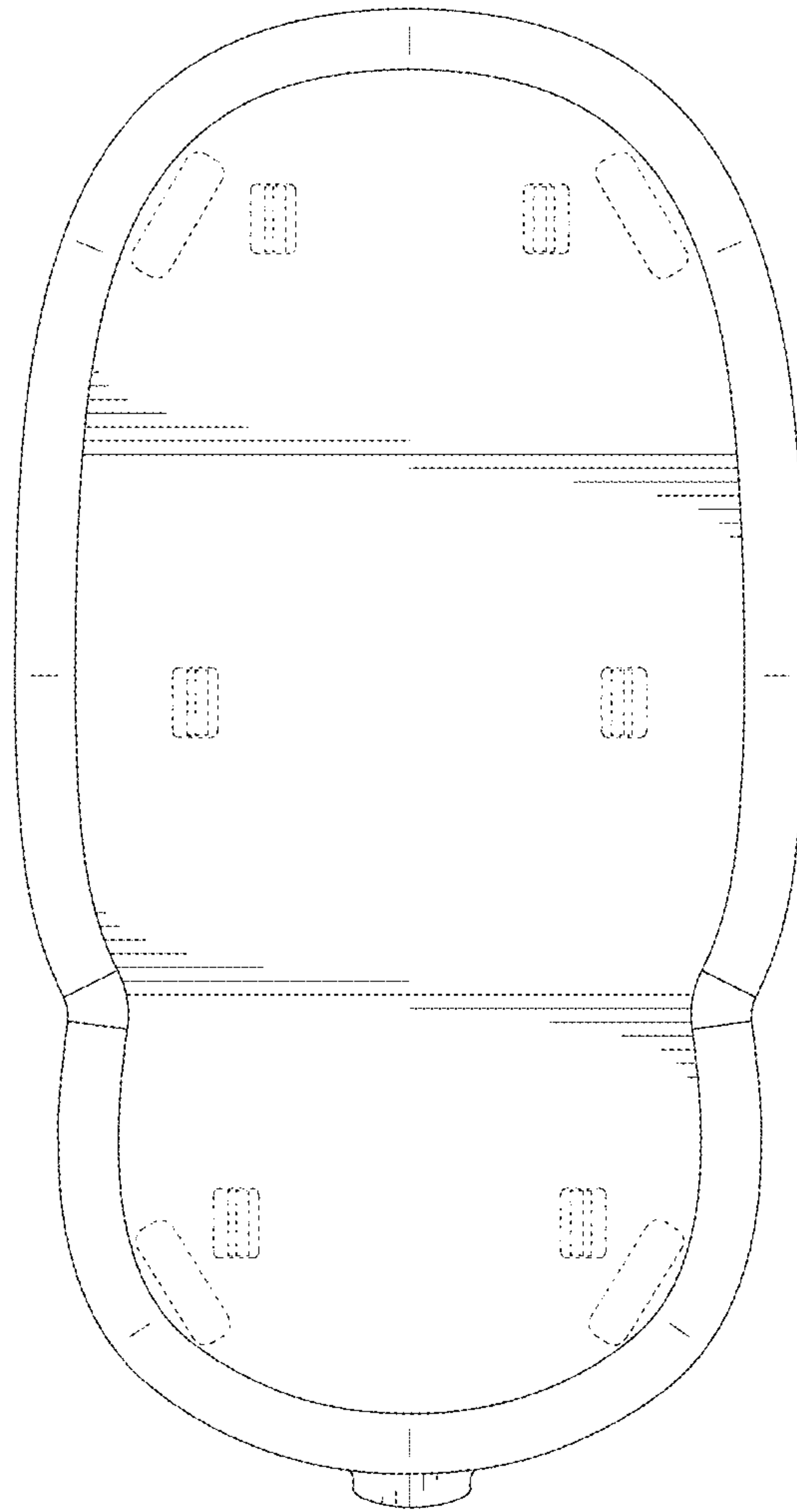


FIG.17

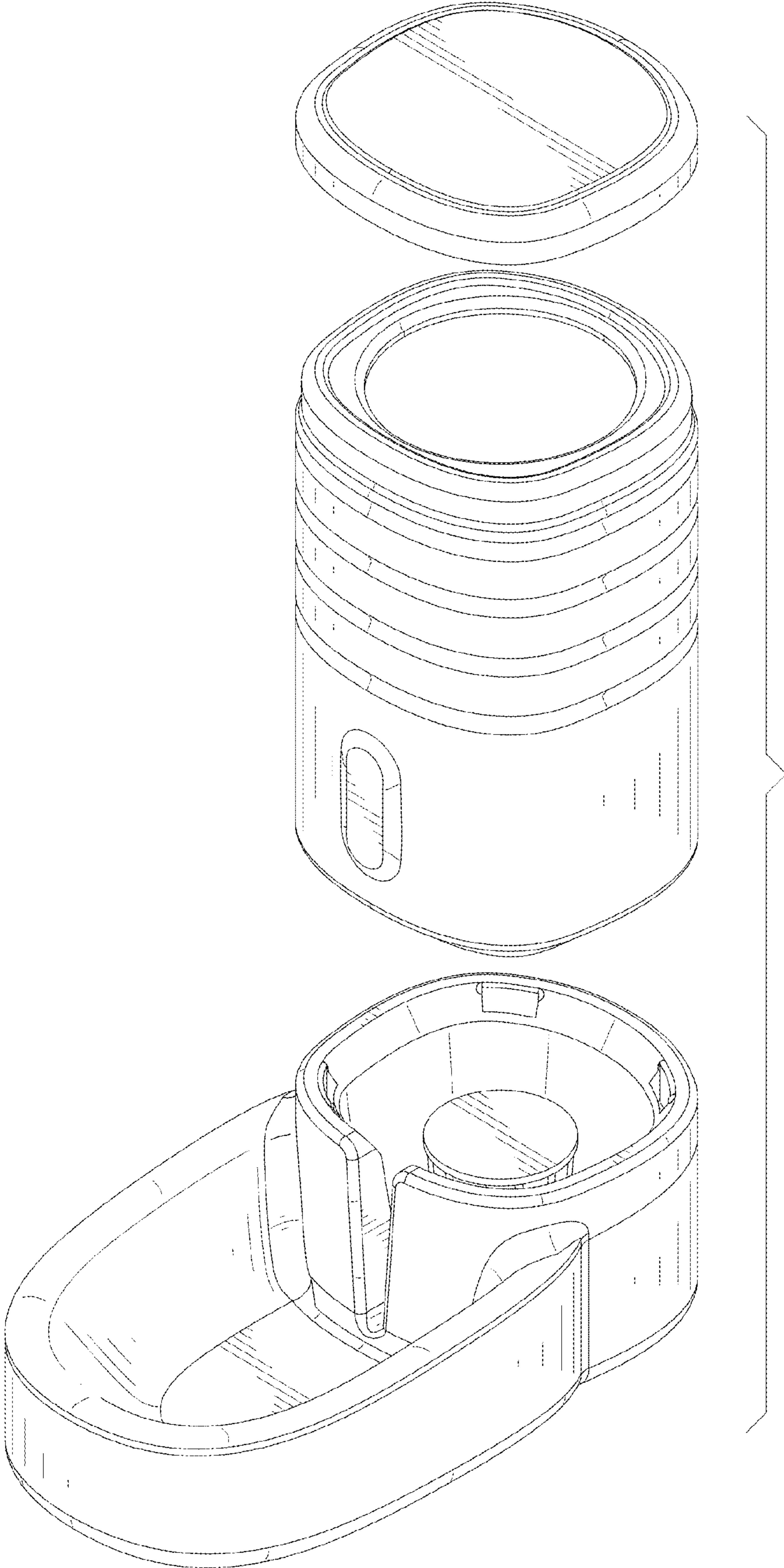


FIG.18