



US00D972226S

(12) **United States Design Patent**  
**Yin**

(10) **Patent No.:** **US D972,226 S**  
(45) **Date of Patent:** **\*\* Dec. 6, 2022**

(54) **PET ENCLOSURE**

FOREIGN PATENT DOCUMENTS

(71) Applicant: **Shenzhen Pachong Pet Products Co., Ltd**, Shenzhen (CN)

CN 304433905 \* 12/2017  
GB 6035476 \* 5/2018  
GB 6040895 \* 8/2018

(72) Inventor: **Aicheng Yin**, Changning (CN)

OTHER PUBLICATIONS

(\*\*) Term: **15 Years**

Beatrice Home Fashions Pop Up Portable Pet Kennel, available in Amazon.com, date first available Jul. 28, 2016 [online], [site visited Feb. 16, 2022], Available from the internet URL: [https://www.amazon.com/dp/B01J92CZAM/ref=cm\\_sw\\_em\\_r\\_mt\\_dp\\_ASDF5QGR3AB10CBKY?th=1](https://www.amazon.com/dp/B01J92CZAM/ref=cm_sw_em_r_mt_dp_ASDF5QGR3AB10CBKY?th=1) (Year: 2016).\*

(21) Appl. No.: **29/764,957**

(Continued)

(22) Filed: **Jan. 5, 2021**

(51) **LOC (13) Cl.** ..... **30-02**

(52) **U.S. Cl.**  
USPC ..... **D30/108**

(58) **Field of Classification Search**  
USPC ..... D3/232; D6/663; D30/108, 109, 110, D30/111, 112, 113, 114, 115, 116, 117, D30/118, 119, 120, 160, 161  
CPC .. A01K 1/0107; A01K 1/0236; A01K 1/0272; A01K 1/029; A01K 1/033; A01K 1/034; A01K 1/035; A01K 1/0035; A01K 31/06; A01K 31/07; A01K 31/08; A45C 7/0086  
See application file for complete search history.

*Primary Examiner* — Jennifer L Rempfer  
*Assistant Examiner* — Elizabeth Anne Glassberg  
(74) *Attorney, Agent, or Firm* — Rumit R. Kanakia

(57) **CLAIM**

The ornamental design for a pet enclosure, as shown and described.

**DESCRIPTION**

FIG. 1 is a first perspective view of a pet enclosure showing my new design;  
FIG. 2 is a second perspective view thereof;  
FIG. 3 is a front view thereof;  
FIG. 4 is a back view thereof;  
FIG. 5 is a left side view thereof;  
FIG. 6 is a right side view thereof;  
FIG. 7 is a top view thereof;  
FIG. 8 is a bottom view thereof;  
FIG. 9 is an enlarged view of the selected portion in FIG. 1; and,  
FIG. 10 is an enlarged view of the selected portion in FIG. 1.  
The broken lines shown in the drawings depict portions of the pet enclosure in which the design is embodied that form no part of the claimed design.

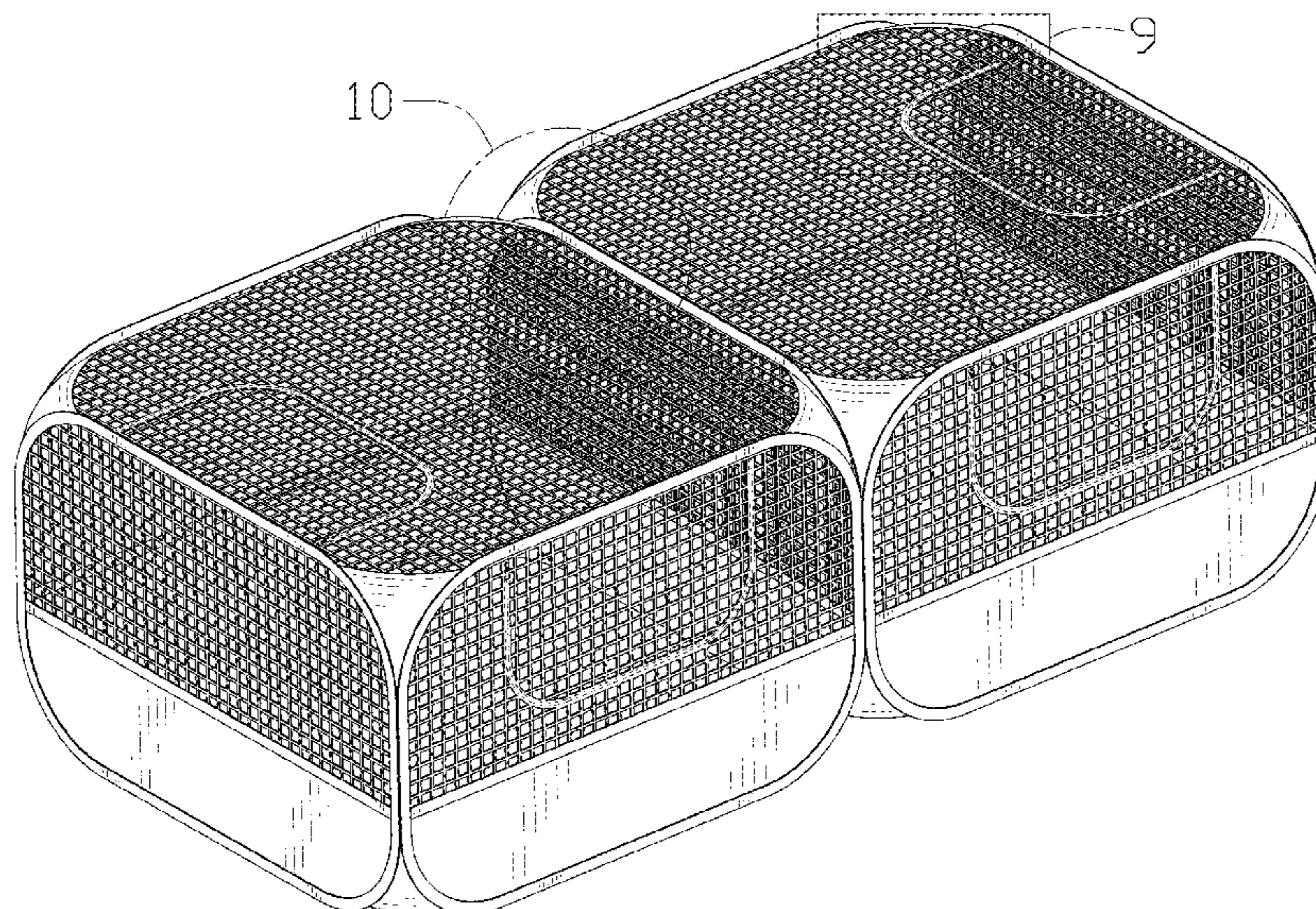
(56) **References Cited**

U.S. PATENT DOCUMENTS

6,715,446 B2 \* 4/2004 Chou ..... A01K 1/033  
119/497  
D512,799 S \* 12/2005 Simpson ..... D30/108  
D529,666 S \* 10/2006 Simpson ..... D30/108  
D551,452 S \* 9/2007 Kellogg ..... D3/304  
7,802,540 B2 \* 9/2010 Jakubowski ..... A01K 1/0254  
119/497  
D634,932 S \* 3/2011 Sabounjian ..... D3/299  
D923,255 S \* 6/2021 Yin ..... D30/108  
2006/0150917 A1 \* 7/2006 Morton ..... A01K 1/0245  
119/498  
2008/0134985 A1 \* 6/2008 Jakubowski ..... A01K 1/0254  
119/499

(Continued)

**1 Claim, 10 Drawing Sheets**



(56)

**References Cited**

U.S. PATENT DOCUMENTS

2010/0126427 A1\* 5/2010 McGrade ..... A01K 1/0254  
119/496  
2010/0288204 A1\* 11/2010 Costello ..... A01K 1/0272  
119/453  
2019/0133073 A1\* 5/2019 Lu ..... A01K 1/029  
2019/0208741 A1\* 7/2019 Huthmaker ..... F16B 5/121

OTHER PUBLICATIONS

GABraden Small Animals Playpen, available in Amazon.com, date first available Sep. 17, 2020 [online], [site visited Feb. 11, 2022], Available from the internet URL: [https://www.amazon.com/dp/B08B3GR6DR/ref=cm\\_sw\\_em\\_r\\_mt\\_dp\\_RJKXPAYDMT9B4KKXX664](https://www.amazon.com/dp/B08B3GR6DR/ref=cm_sw_em_r_mt_dp_RJKXPAYDMT9B4KKXX664) (Year: 2020).\*

KEXMY Rural365 Portable Chicken Run, available in Amazon.com, date first available Sep. 17, 2018 [online], [site visited Feb. 11, 2022], Available from the internet URL: [https://www.amazon.com/dp/B07HFH3SWD/ref=cm\\_sw\\_em\\_r\\_mt\\_dp\\_N1N26BMGTJ0Y8VE9PTBV?\\_encoding=UTF8&psc=1](https://www.amazon.com/dp/B07HFH3SWD/ref=cm_sw_em_r_mt_dp_N1N26BMGTJ0Y8VE9PTBV?_encoding=UTF8&psc=1) (Year: 2018).\*

SlowTon Small Animals Playpen, available in Amazon.com, date first available Sep. 8, 2020 [online], [site visited Feb. 11, 2022], Available from the internet URL: [https://www.amazon.com/dp/B08HL78VQR/ref=cm\\_sw\\_em\\_r\\_mt\\_dp\\_NPNJ10H8AZ6JWBQTZWZ5?th=1](https://www.amazon.com/dp/B08HL78VQR/ref=cm_sw_em_r_mt_dp_NPNJ10H8AZ6JWBQTZWZ5?th=1) (Year: 2020).\*

\* cited by examiner



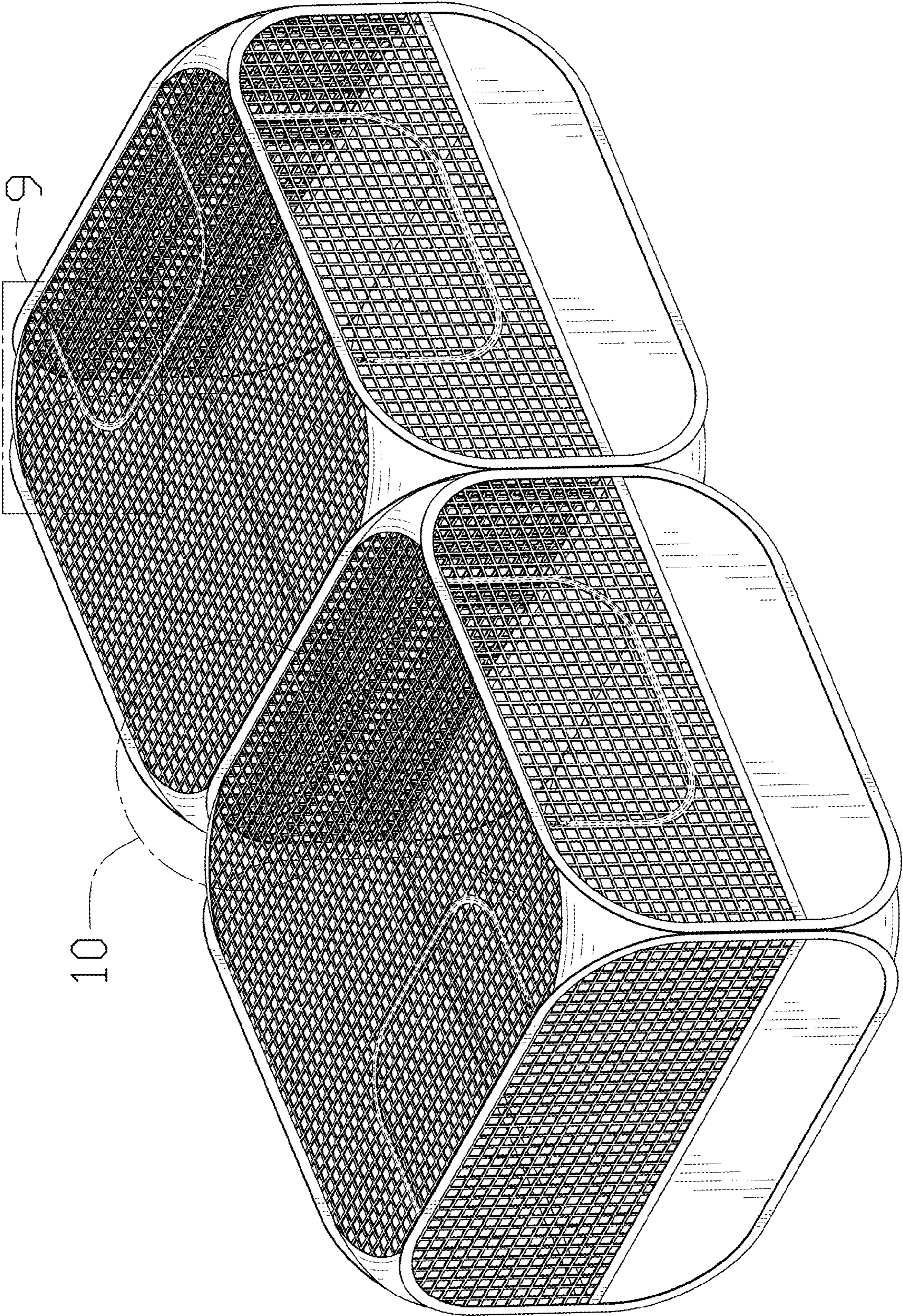


FIG. 1



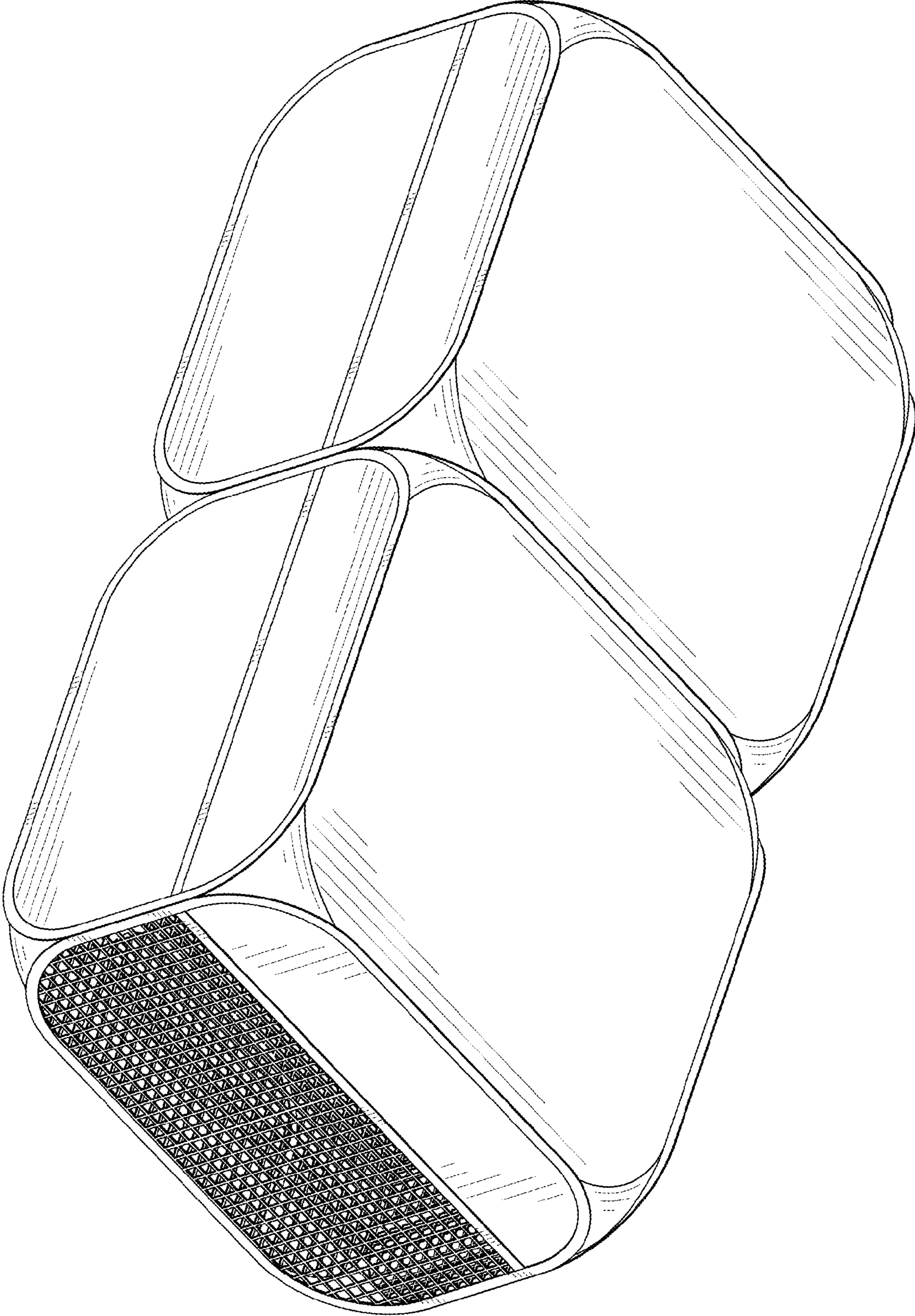


FIG. 2

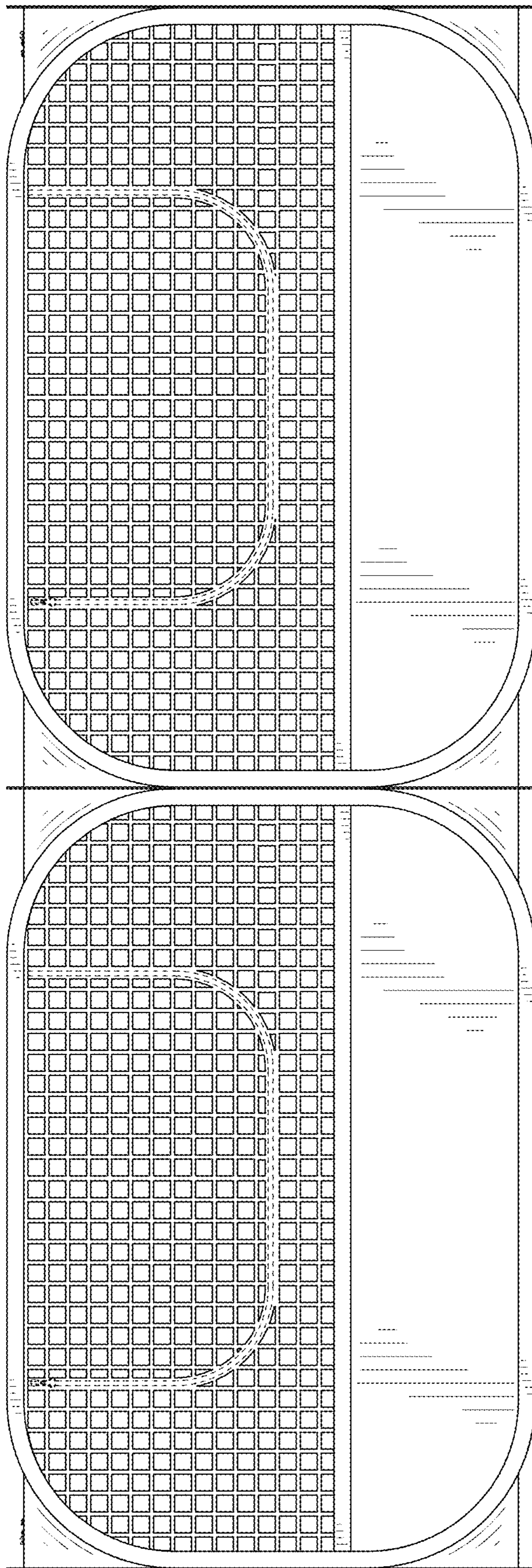


FIG. 3

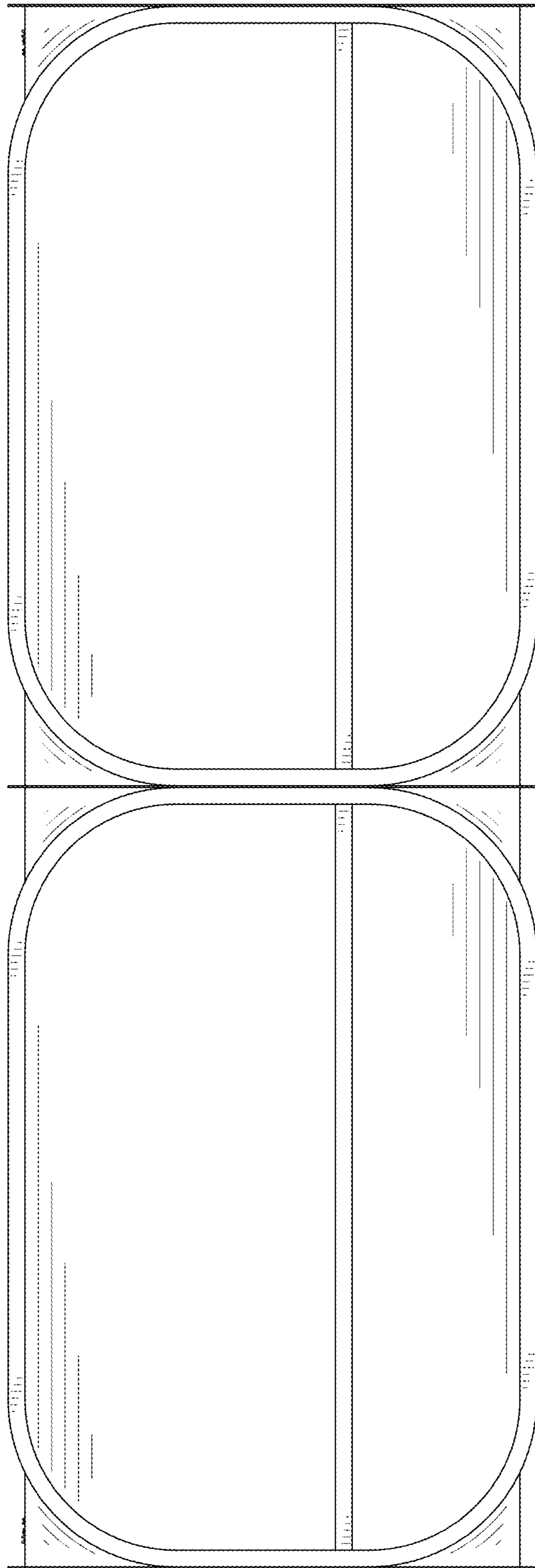


FIG. 4



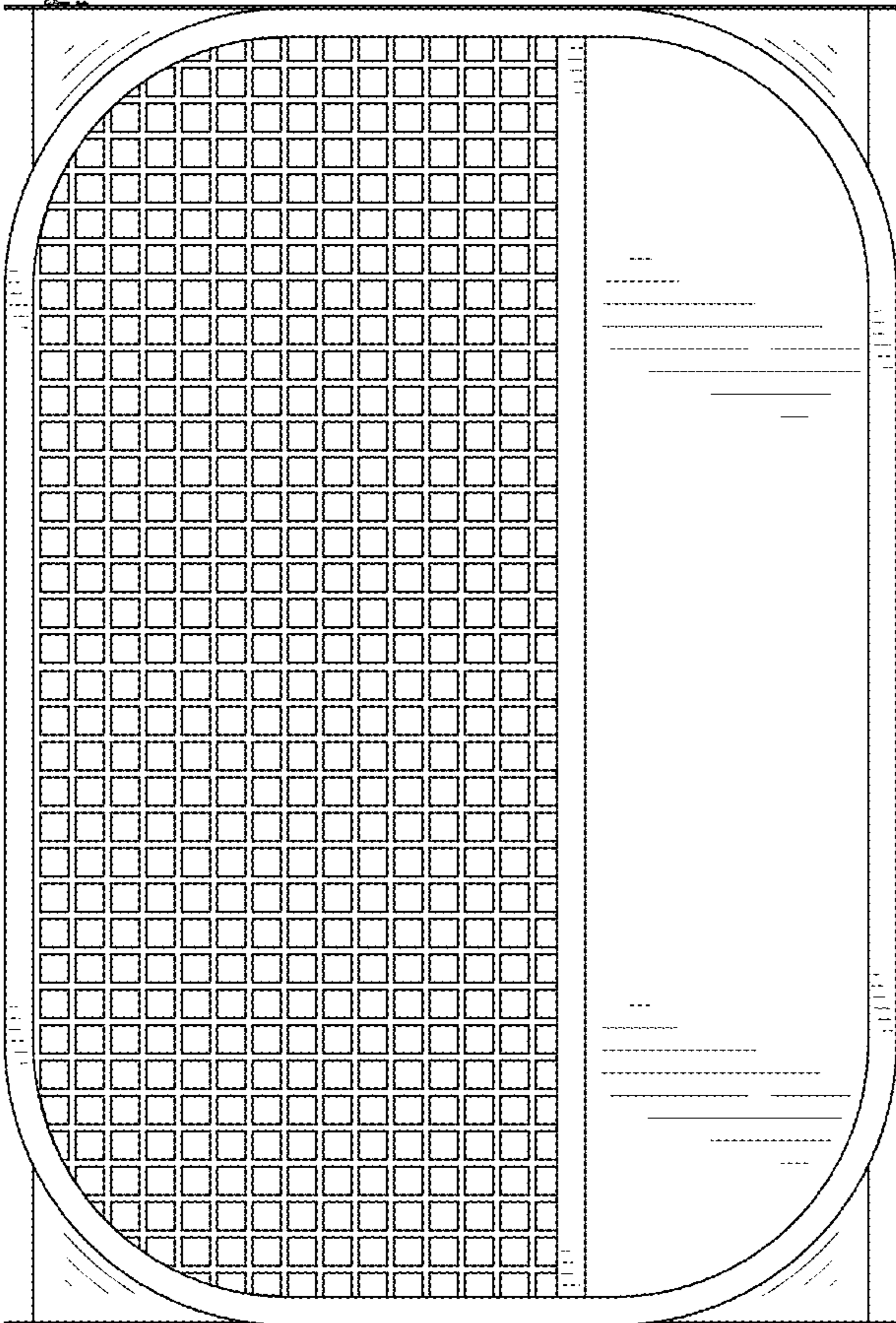


FIG. 5

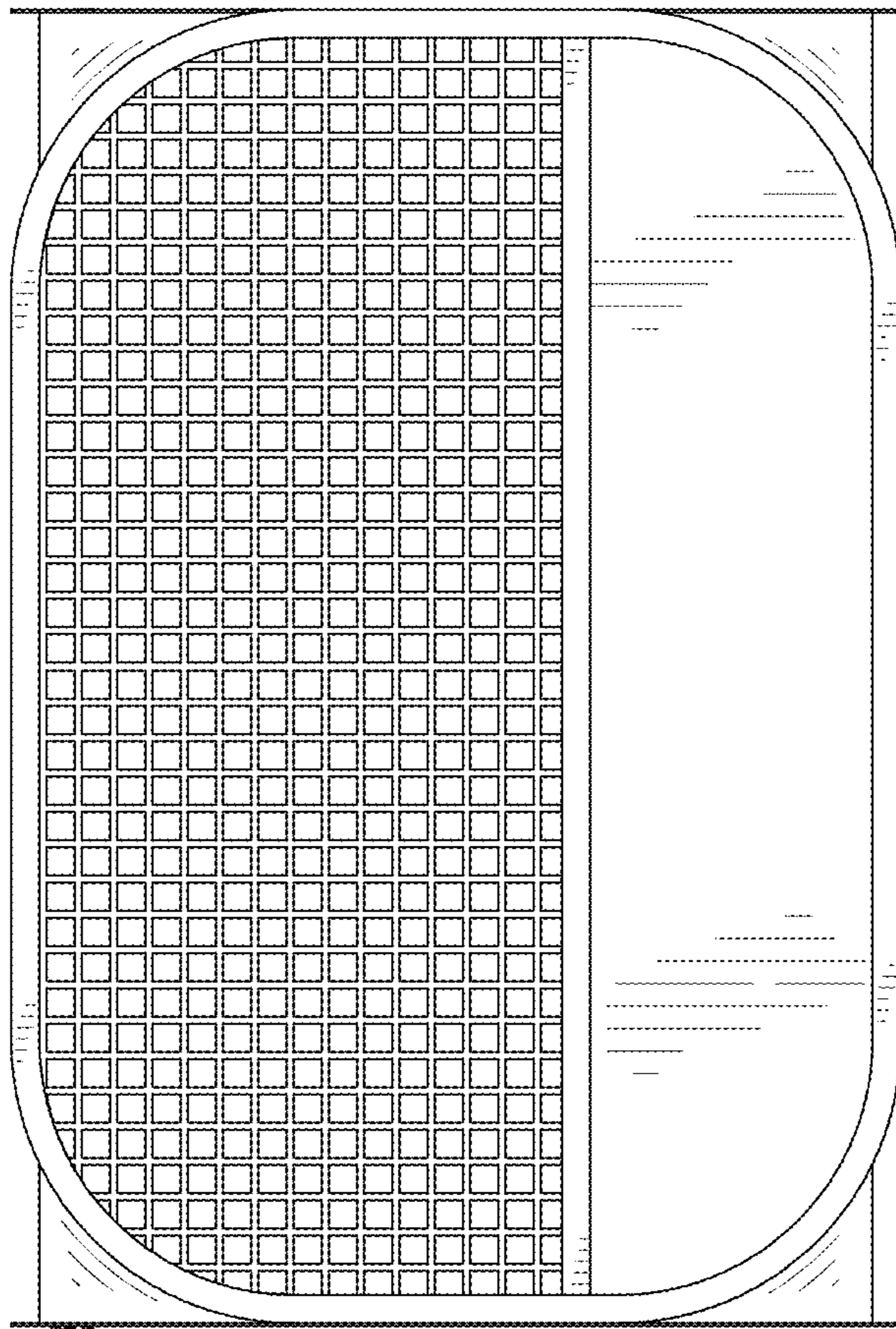


FIG. 6



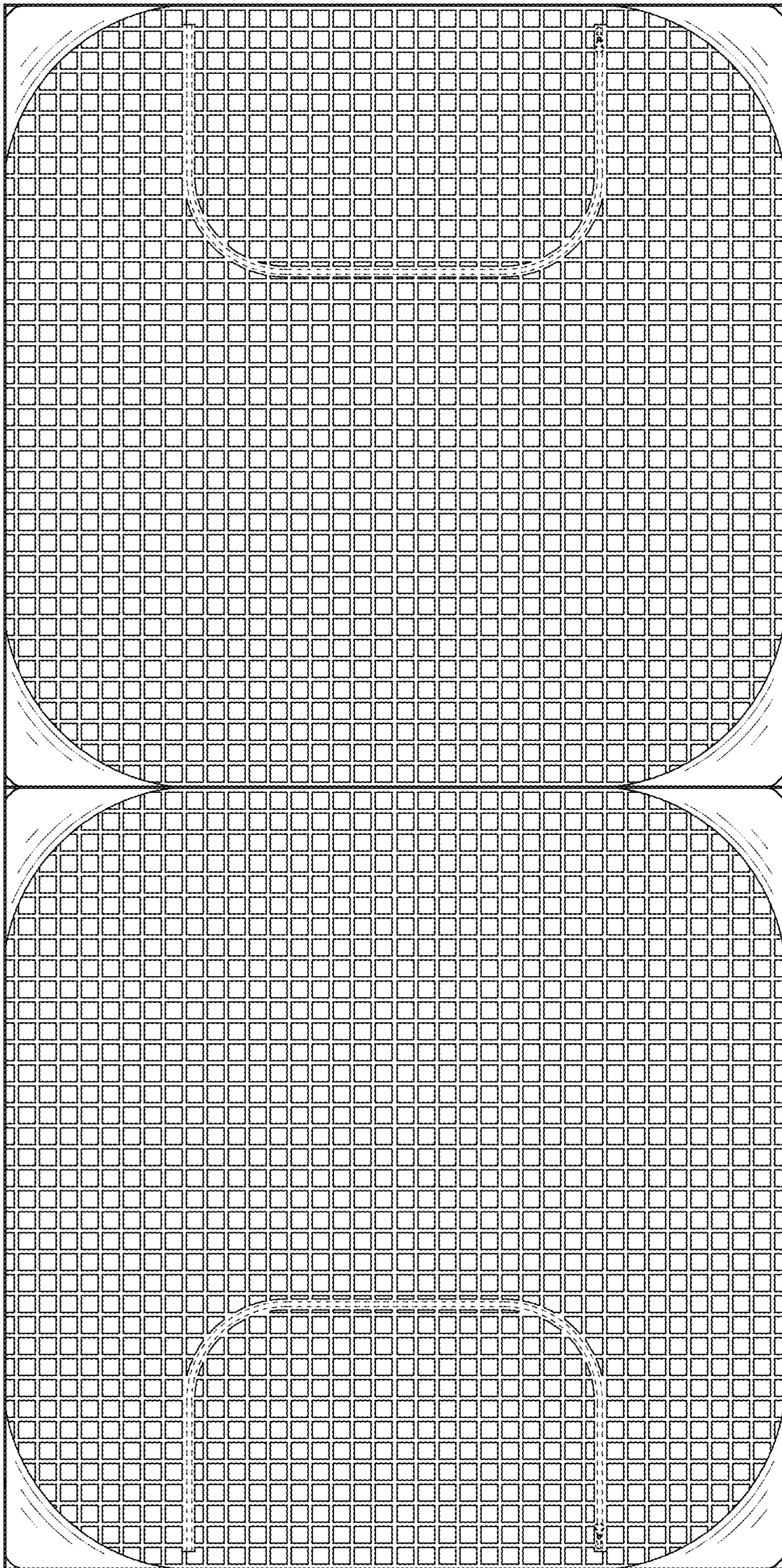


FIG. 7

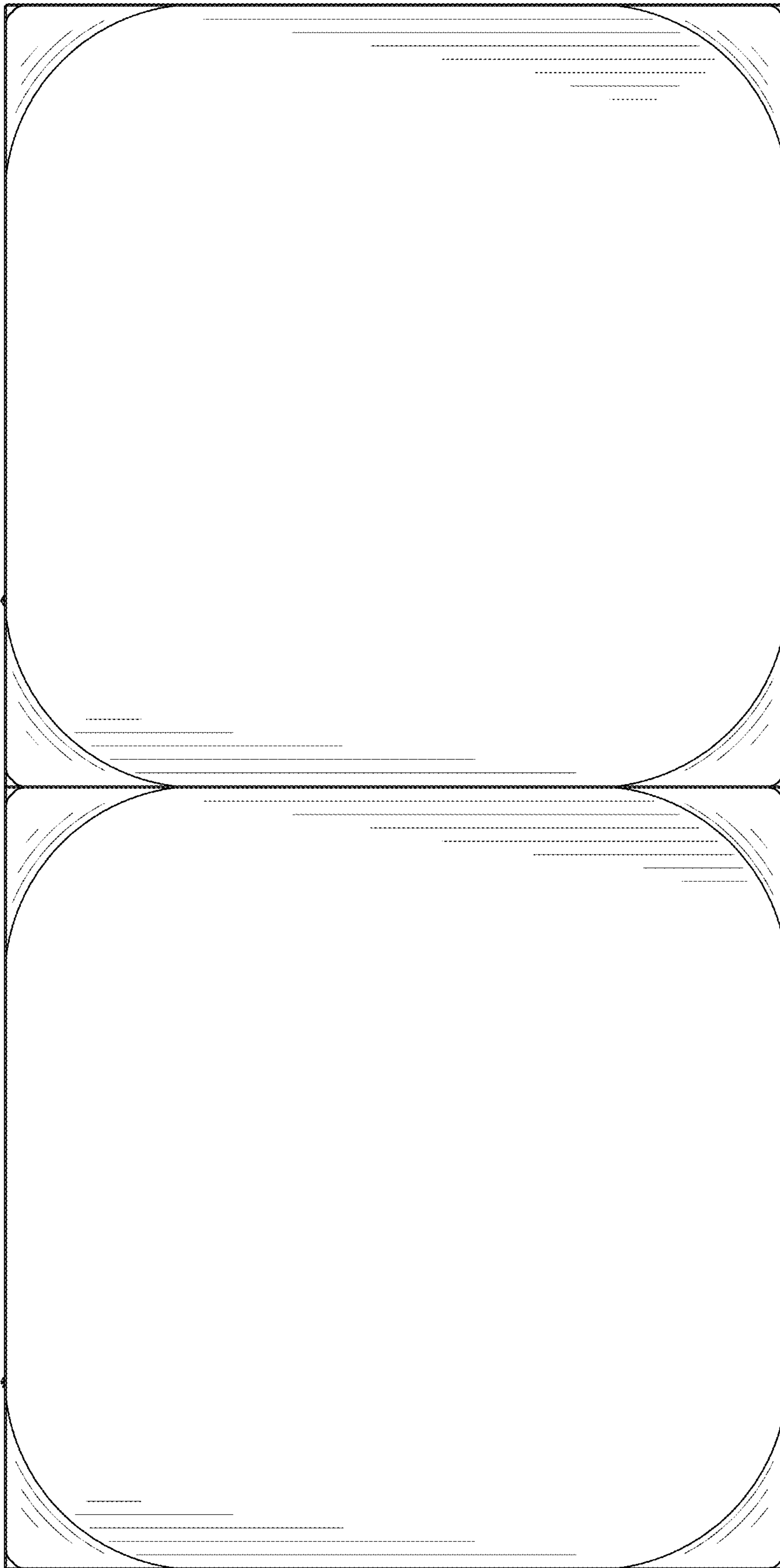


FIG. 8



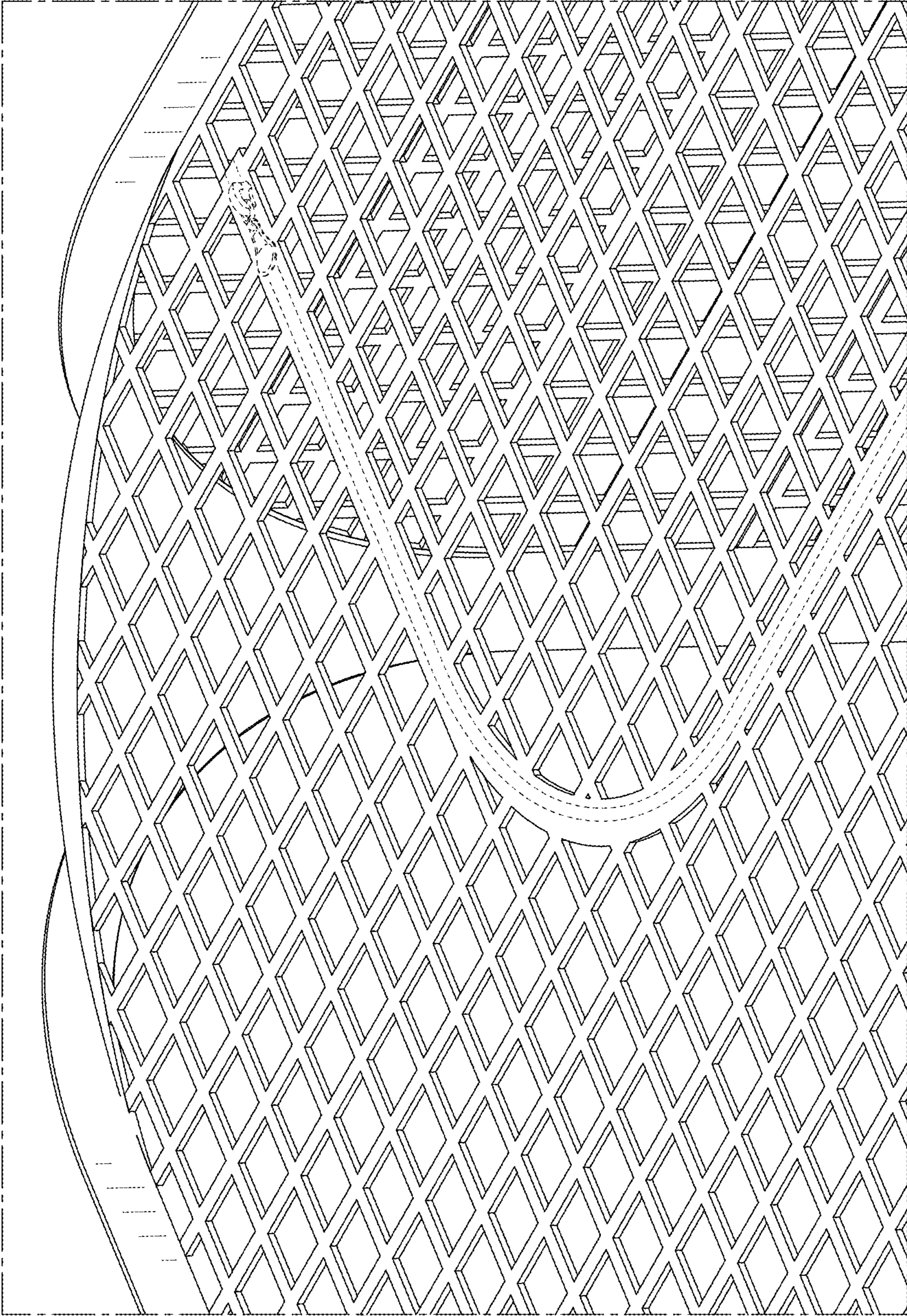


FIG. 9



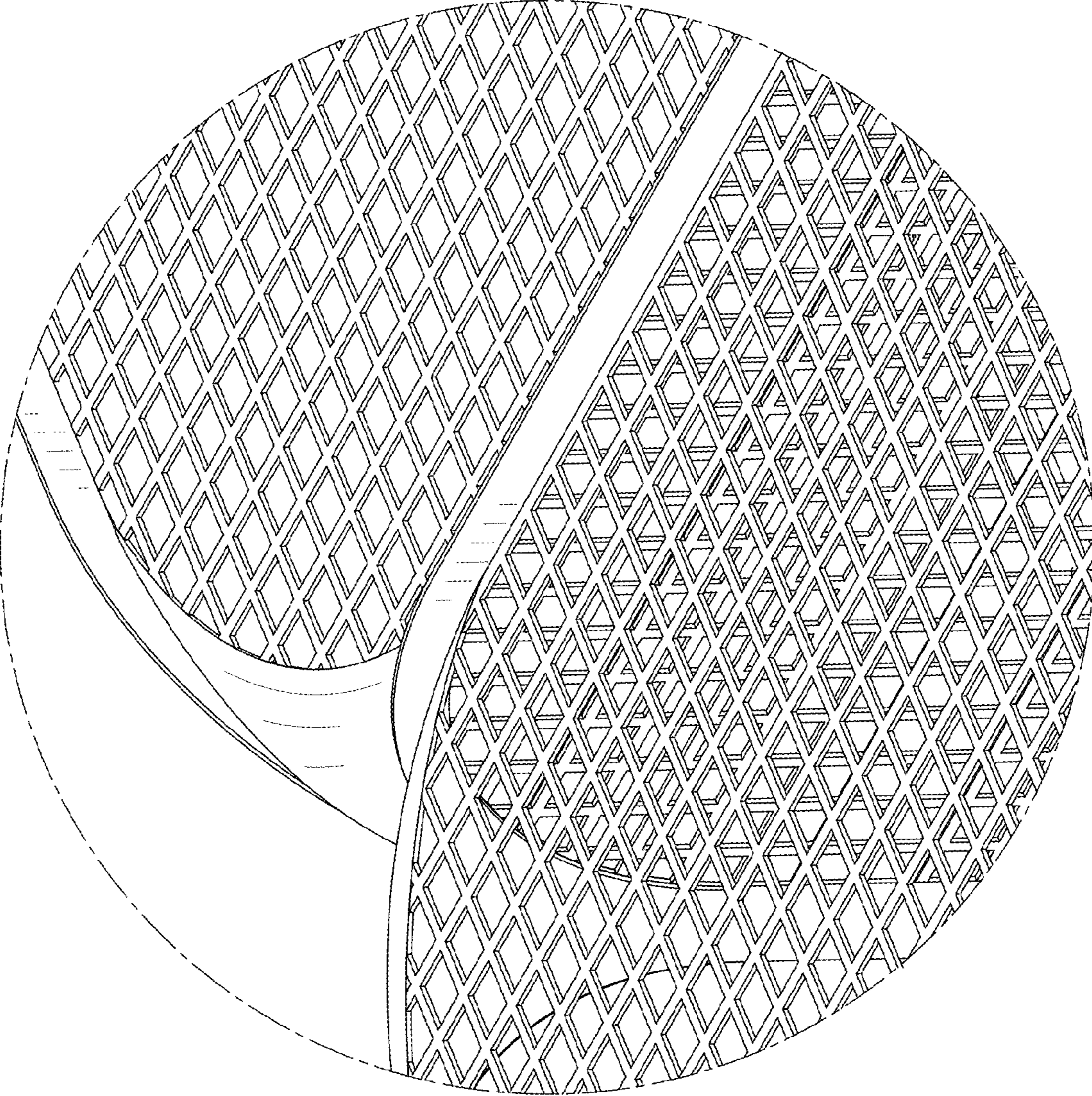


FIG. 10