



US00D972222S

(12) **United States Design Patent** (10) **Patent No.:** **US D972,222 S**
Guo (45) **Date of Patent:** **** Dec. 6, 2022**

(54) **COSMETIC CONTAINER**
(71) Applicant: **Rui Guo**, Hong Kong (CN)
(72) Inventor: **Rui Guo**, Hong Kong (CN)
(**) Term: **15 Years**

D933,353 S * 10/2021 Chen D3/203.3
D939,776 S * 12/2021 Huang D28/83
D951,636 S * 5/2022 Li D3/295
D959,832 S * 8/2022 Li D3/295
2014/0110304 A1* 4/2014 Wu B65D 25/54
206/776

(21) Appl. No.: **29/816,727**
(22) Filed: **Nov. 24, 2021**
(51) **LOC (13) Cl.** **28-03**
(52) **U.S. Cl.**
USPC **D28/83**; D3/313
(58) **Field of Classification Search**
USPC D28/73, 76-78, 82-83, 99; D9/414, 423,
D9/424, 430, 432, 737, 756; D15/90;
D7/553.1, 555; D3/203.3, 313; D24/227,
D24/229
CPC A45D 33/00; A45D 33/22; A45D 33/24;
A45D 33/26; A45D 33/28; A45D 44/00;
A45D 40/00; A45D 40/24; A45D
2200/0053; A45D 2033/001; B65G 1/00;
A61J 1/03
See application file for complete search history.

OTHER PUBLICATIONS

Amazing Abby 12-Slot Acrylic Lipstick Organizer, available as early as Nov. 2, 2020 on amazon.com, retrieved from: https://www.amazon.com/dp/B08BJ1FGGP/ref=sspa_dk_detail_8?pd_rd_i=B08BJ1FGGP&pd_rd_w=Knrct&content-id=amzn1.sym.3481f441-61ac-4028-9c1a-7f9ce8ec50c5&pf_rd_p=3481f441-61ac-4028-9c1a-7f9ce8ec50c5&pf_rd_r=*
ByAlegory Acrylic Lipstick Organizer, first available on Nov. 7, 2013 on amazon.com, retrieved from: https://www.amazon.com/byAlegory-Organization-Lipstick-Organizer-Container/dp/B00E00X3VO/ref=sr_1_12?crd=1DZ5W3T3B3GW0&keywords=lipstick%2Borganizer&qid=1661190343&srefix=lipstick%2Borganizer%2Caps%2C148&sr=8-12&th.*

* cited by examiner

Primary Examiner — Alison M Ofstun

(57) **CLAIM**

The ornamental design for a cosmetic container, as shown and described.

DESCRIPTION

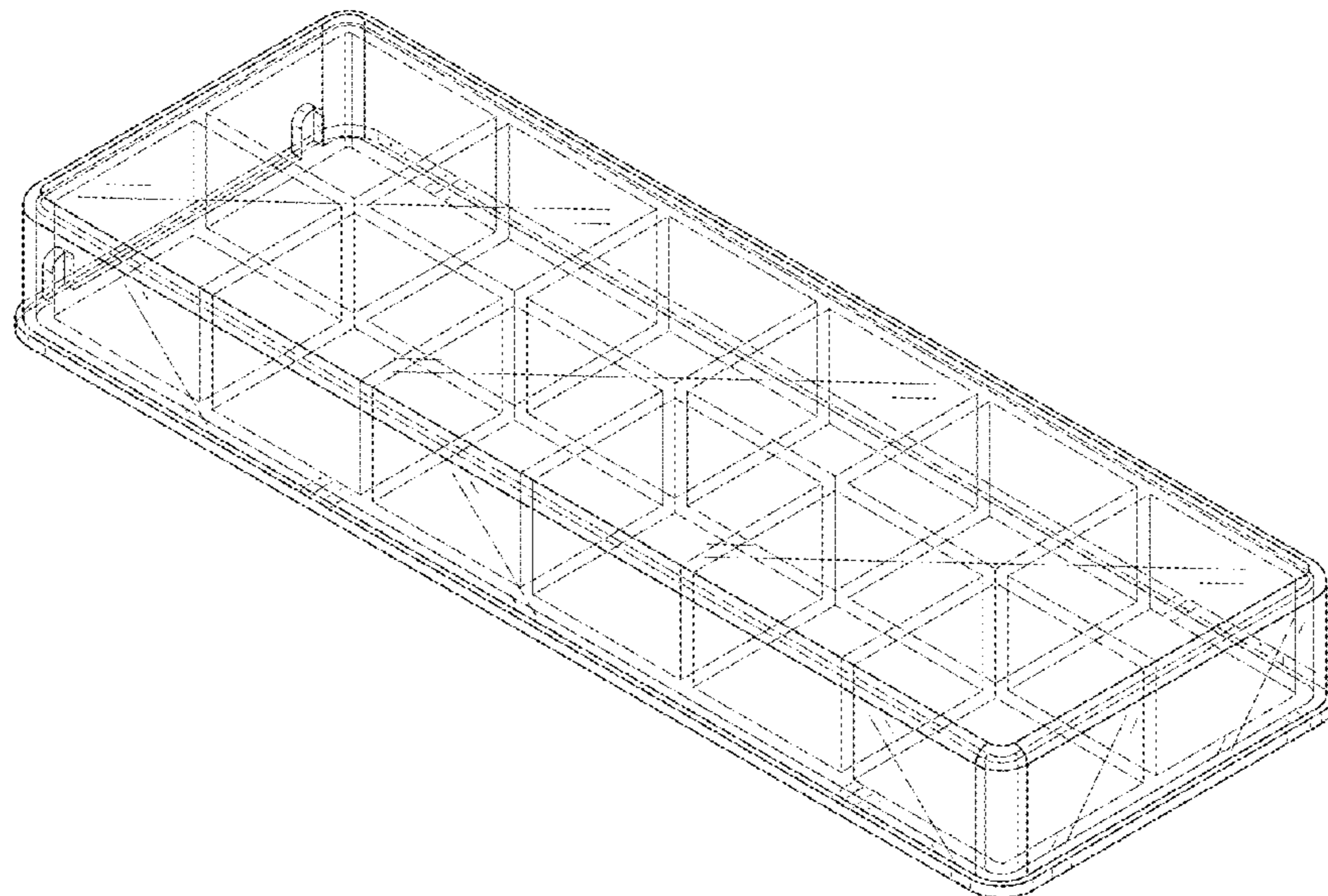
FIG. 1 is a top, front and right side perspective view of a cosmetic container, showing my new design;
FIG. 2 is a top, rear and right side perspective view;
FIG. 3 is a front elevational view thereof;
FIG. 4 is a rear elevational view thereof;
FIG. 5 is a left side elevational view thereof;
FIG. 6 is a right side elevational view thereof;
FIG. 7 is a top plan view thereof;
FIG. 8 is a bottom plan view thereof; and,
FIG. 9 is a perspective view thereof, shown in an open position.

1 Claim, 9 Drawing Sheets

(56) **References Cited**

U.S. PATENT DOCUMENTS

D361,508 S * 8/1995 Schnack D9/425
D380,961 S * 7/1997 Schnack D9/425
5,894,928 A * 4/1999 Chang A45D 31/00
220/665
D491,693 S 6/2004 Chen
D555,938 S * 11/2007 Brisco D3/313
D621,548 S * 8/2010 Chen D28/83
D641,933 S * 7/2011 Chen D28/83
D780,846 S * 3/2017 Greenspon D19/77
D820,690 S * 6/2018 Canuto D9/757
D829,566 S * 10/2018 Safdie D9/418
D860,538 S * 9/2019 Kim D28/83
D860,649 S * 9/2019 Li D3/313



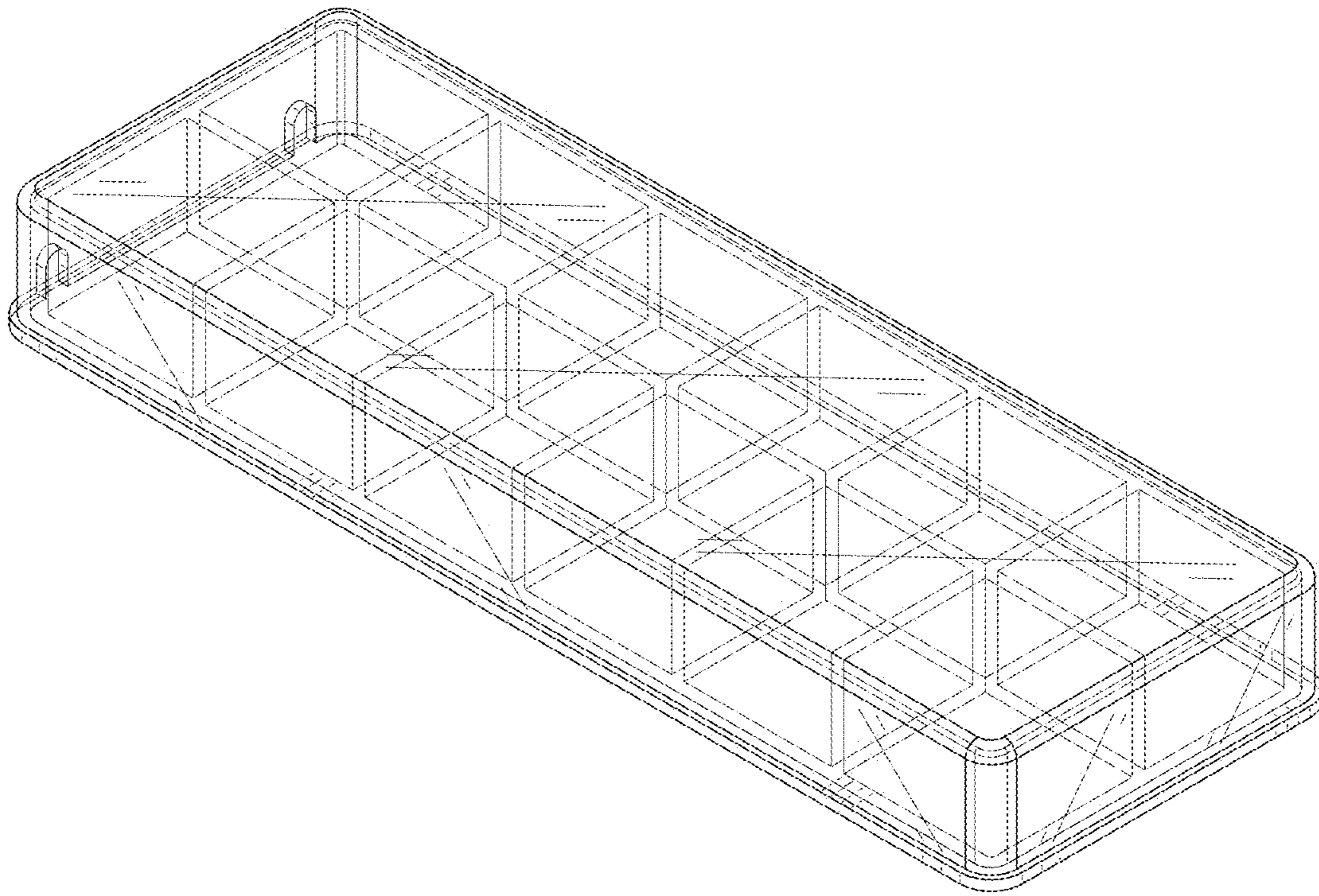


FIG. 1

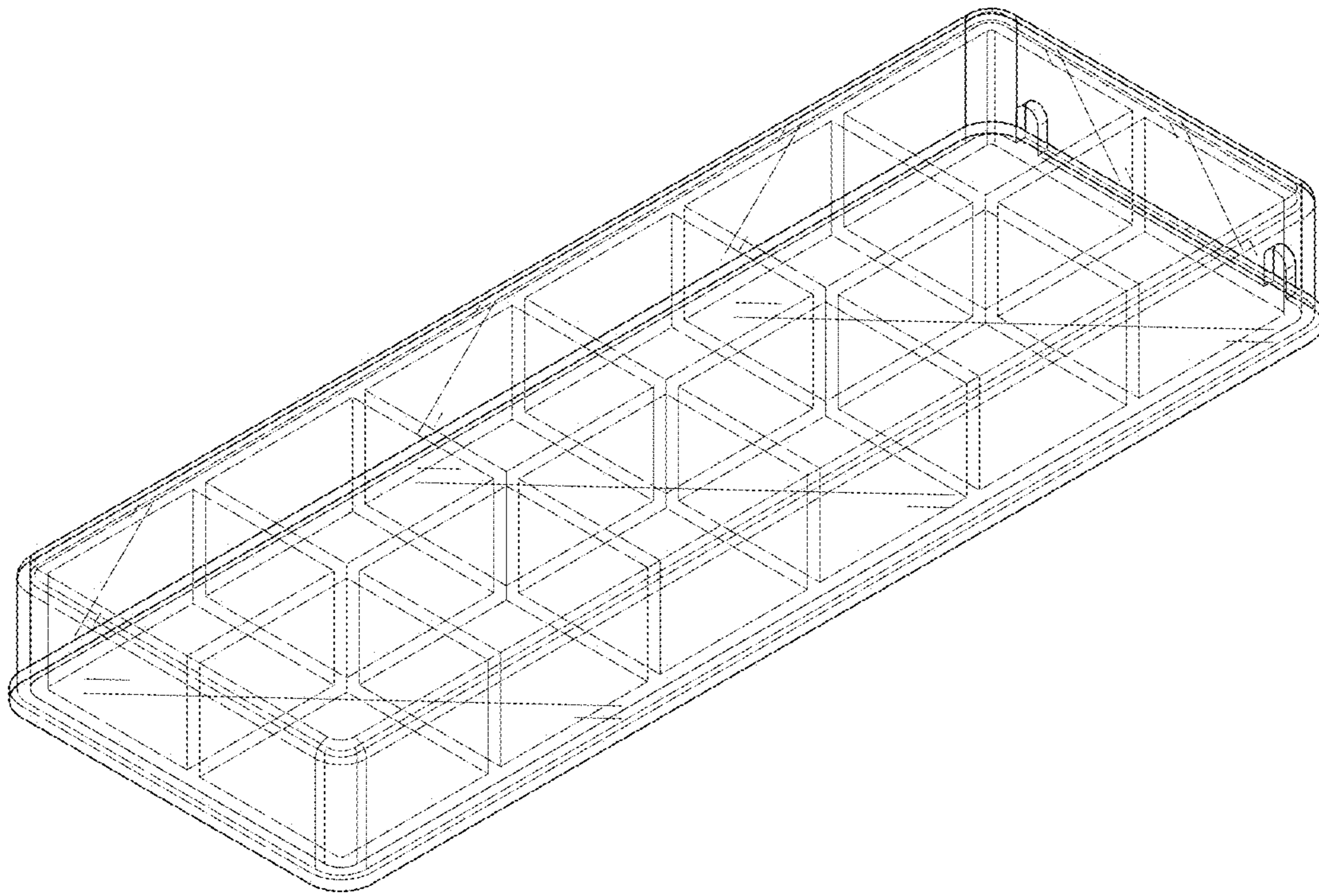


FIG.2

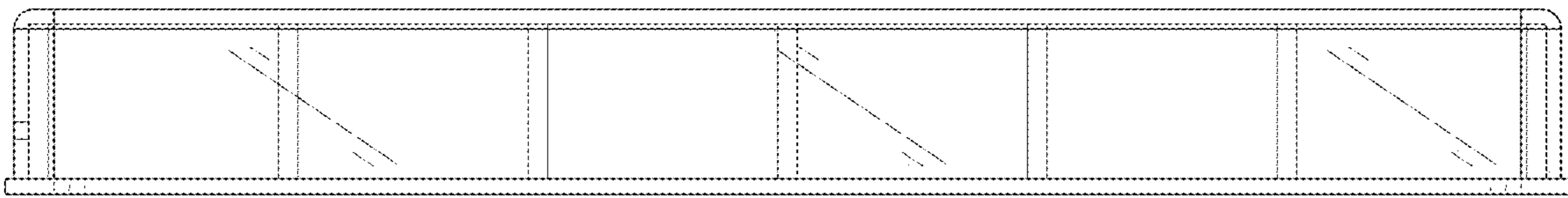


FIG.3

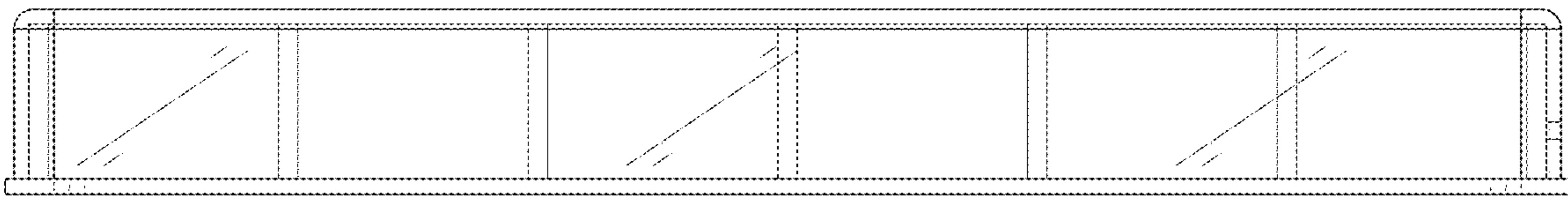


FIG.4

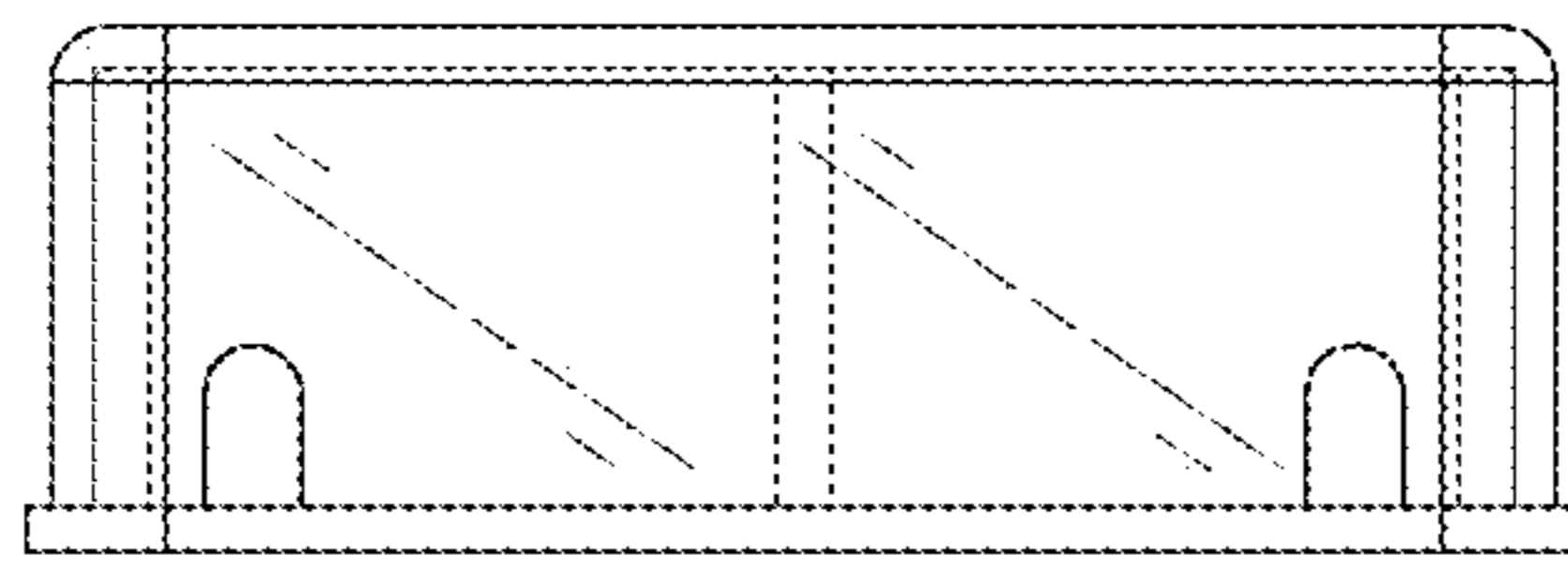


FIG.5

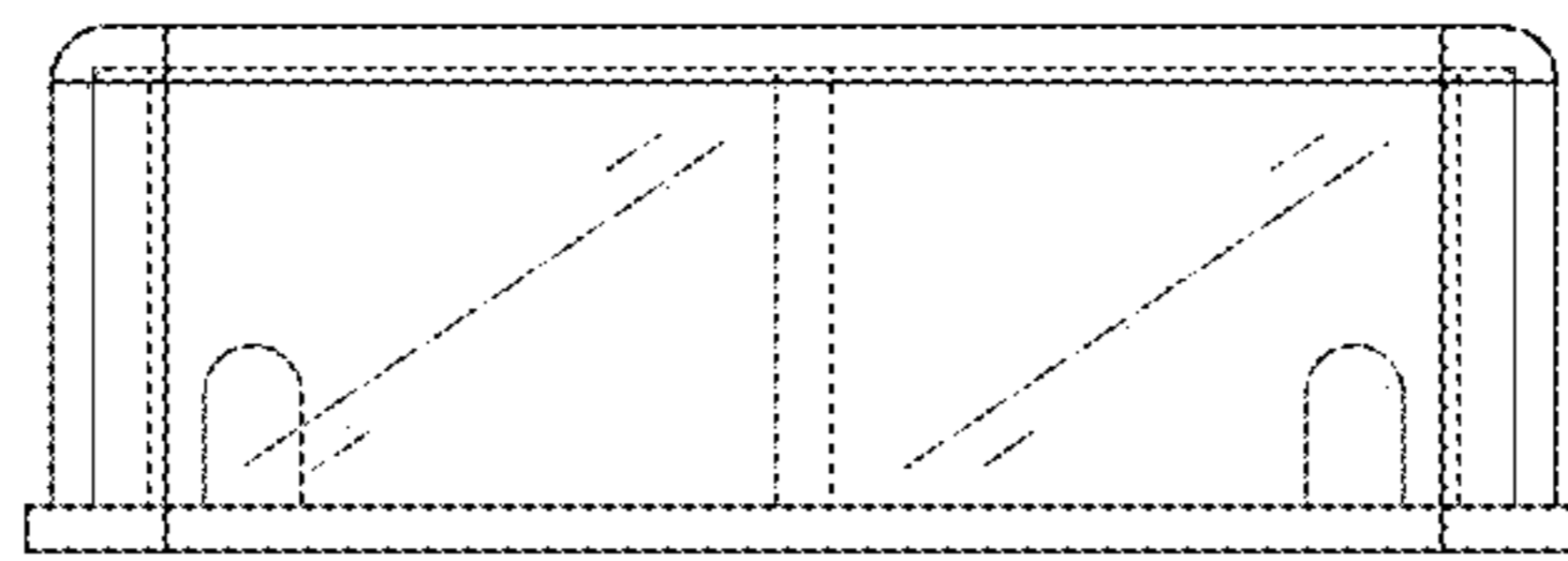


FIG.6

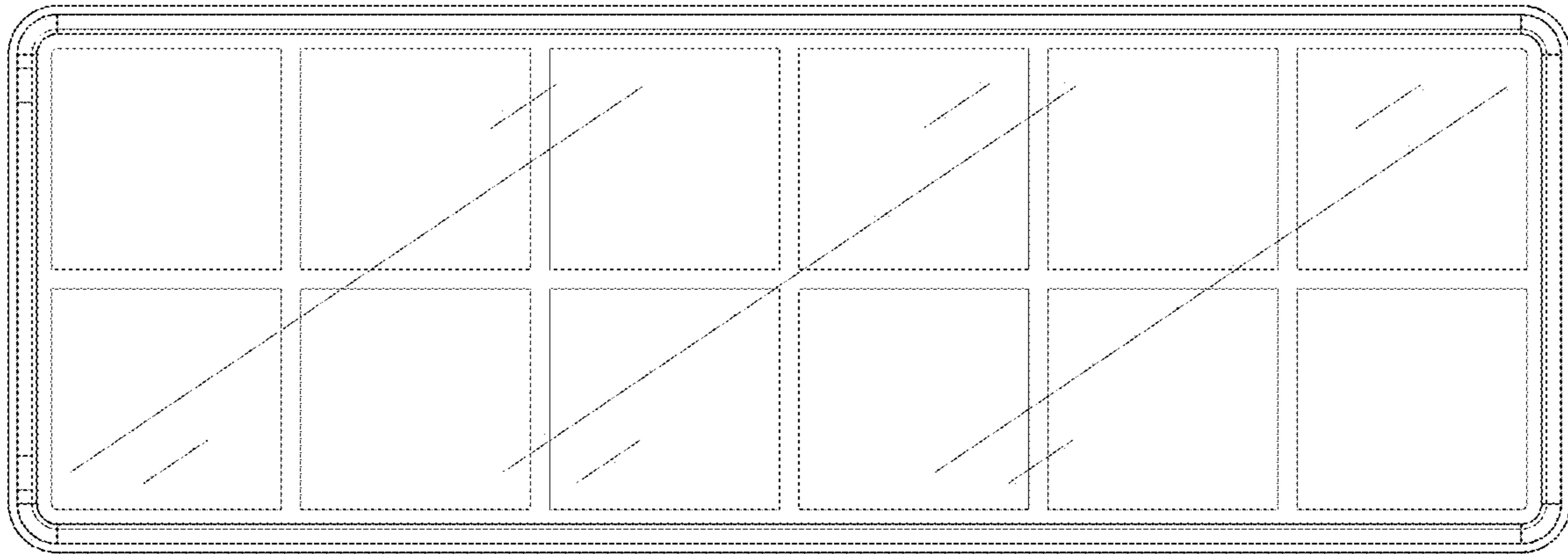


FIG.7

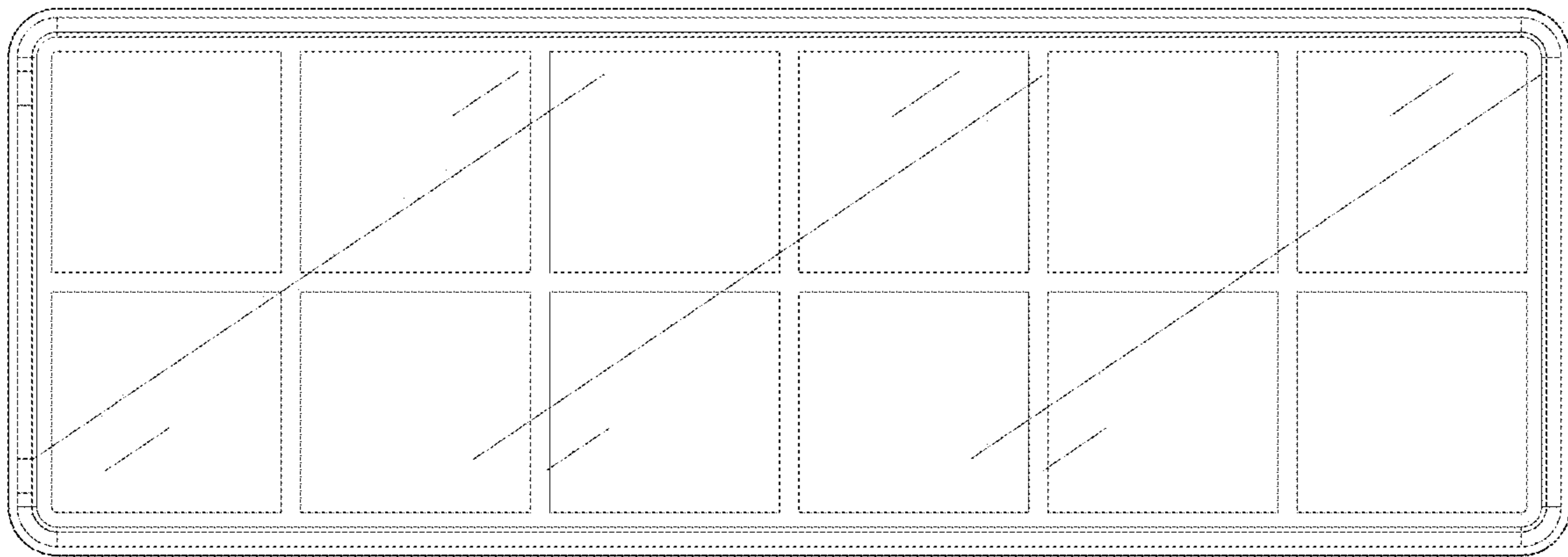


FIG.8

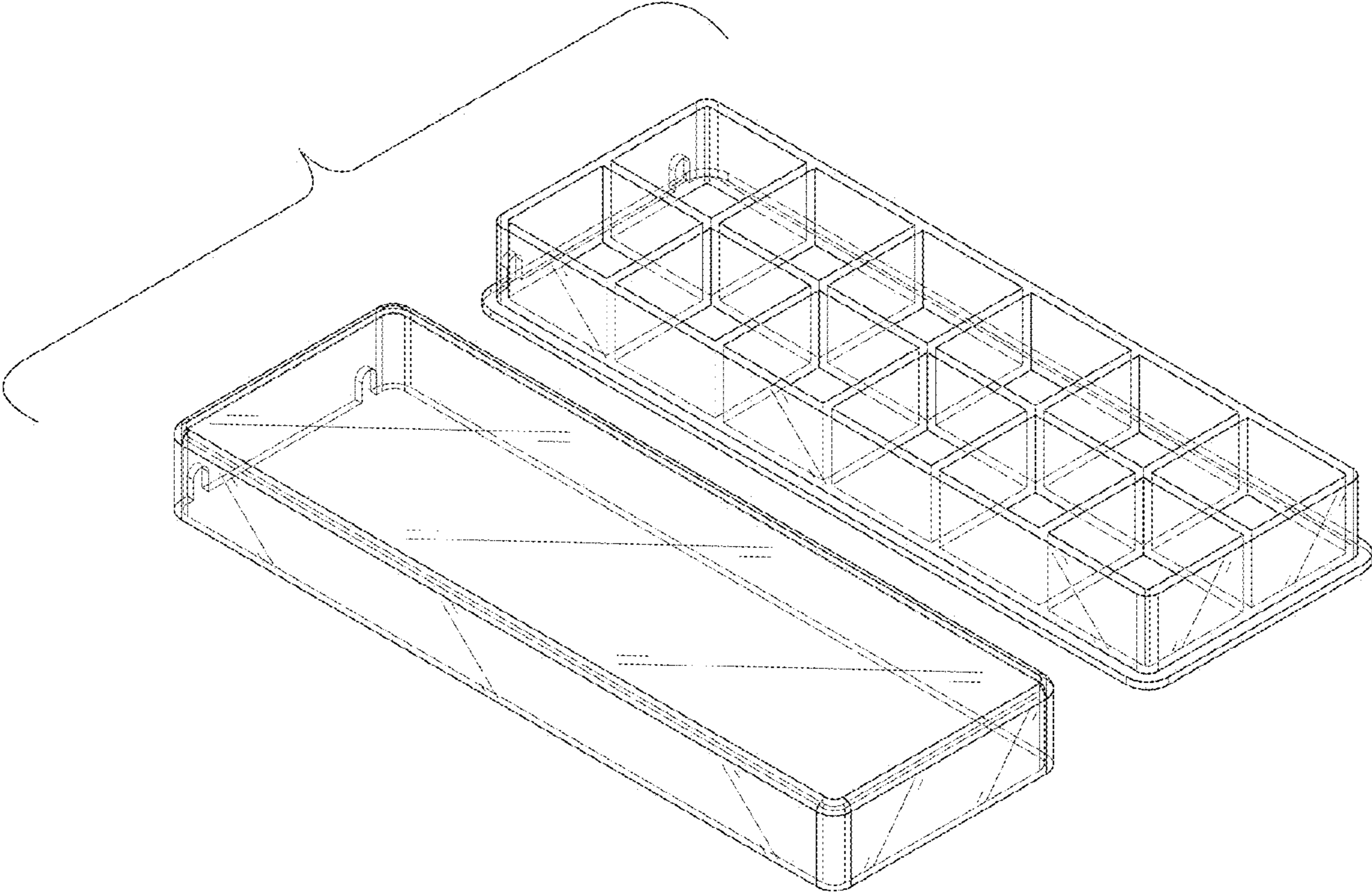


FIG.9