



US00D972221S

(12) **United States Design Patent**
Amaudric Du Chaffaut

(10) **Patent No.:** **US D972,221 S**
(45) **Date of Patent:** **** Dec. 6, 2022**

(54) **MAKEUP CASE**

- (71) Applicant: **L'Oreal**, Paris (FR)
- (72) Inventor: **Alexia Amaudric Du Chaffaut**, Paris (FR)
- (73) Assignee: **Valentino S.P.A.**, Milan (IT)
- (**) Term: **15 Years**
- (21) Appl. No.: **29/748,879**
- (22) Filed: **Sep. 1, 2020**

(30) **Foreign Application Priority Data**

Mar. 5, 2020 (EM) 007734447-0003

(51) **LOC (13) Cl.** **28-03**

(52) **U.S. Cl.**
USPC **D28/83**

(58) **Field of Classification Search**

USPC D28/73, 76, 77, 78, 81, 83; D9/420;
D3/284, 901, 232, 294

CPC A45D 33/00; A45D 33/003; A45D 33/006;
A45D 33/008; A45D 33/18; A45D 33/20;
A45D 33/22; A45D 33/24; A45D 33/26;
A45D 33/28; A45D 40/00; A45D 40/22;
A45D 40/24; A45D 42/02; A45D
2040/0012

See application file for complete search history.

(56) **References Cited**

U.S. PATENT DOCUMENTS

- 1,632,864 A * 6/1927 Weber A45D 33/28
132/297
- 1,802,858 A * 4/1931 Wilson A45D 33/28
132/297
- D255,038 S * 5/1980 Itakura D3/273
- D260,305 S * 8/1981 MacGregor D28/83
- D267,821 S * 2/1983 Guth D28/38

(Continued)

OTHER PUBLICATIONS

Eye2Cheek Eyeshadow . . . [online]; [video published to the internet on Jun. 26, 2021]; [retrieved from the internet on Sep. 17, 2022]; URL:https://www.youtube.com/watch?v=XGdkPBirN9M (3 pages). (Year: 2021).*

(Continued)

Primary Examiner — Jasmine Mlinarcik

Assistant Examiner — Victoria A. Rielly

(74) *Attorney, Agent, or Firm* — Edell, Shapiro & Finnan, LLC

(57) **CLAIM**

The ornamental design for a makeup case, as shown and described.

DESCRIPTION

FIG. 1 is a front, right perspective view from above of a makeup case.

FIG. 2 is a rear, right perspective view from below of the makeup case of FIG. 1.

FIG. 3 is a front elevation view of the makeup case of FIG. 1.

FIG. 4 is a rear elevation view of the makeup case of FIG. 1.

FIG. 5 is a left side elevation view of the makeup case of FIG. 1.

FIG. 6 is a right side elevation view of the makeup case of FIG. 1.

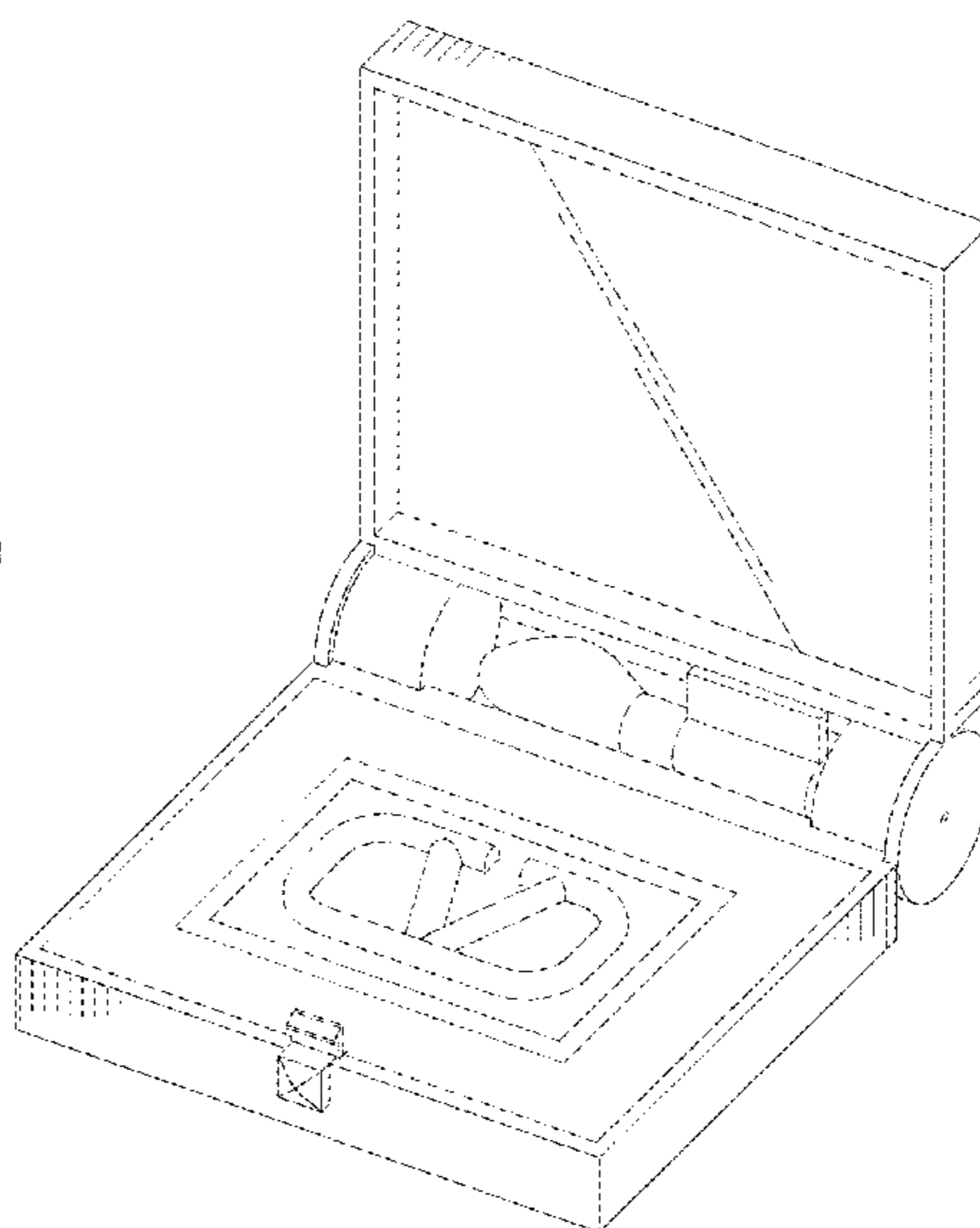
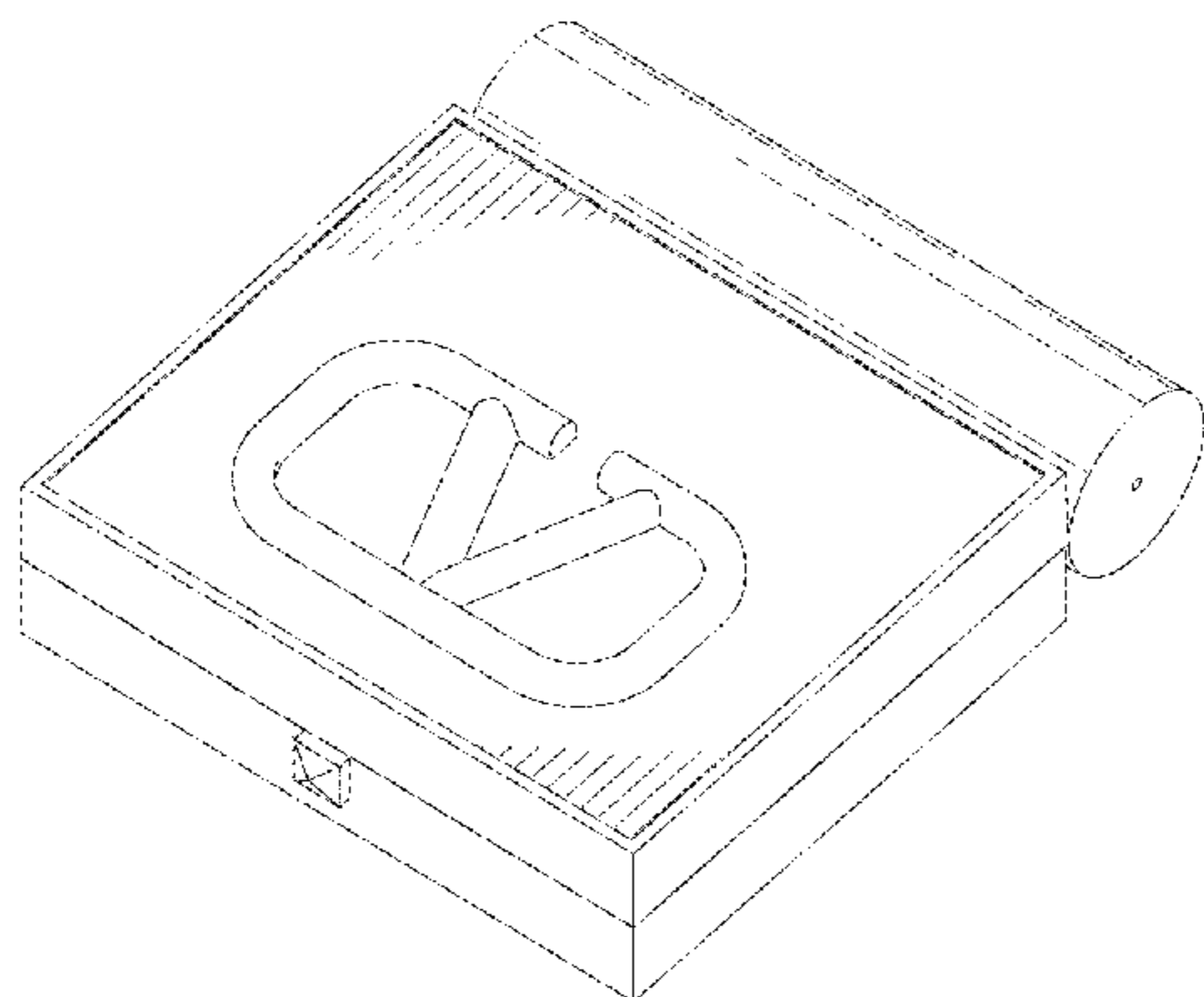
FIG. 7 is a top plan view of the makeup case of FIG. 1.

FIG. 8 is a bottom plan view of the makeup case of FIG. 1; and,

FIG. 9 is a front, right perspective view from above of the makeup case of FIG. 1 with the lid in an open position.

The broken lines and unshaded areas adjacent to the broken lines in the drawings illustrate portions of the makeup case that form no part of claimed design.

1 Claim, 5 Drawing Sheets



(56)

References Cited

U.S. PATENT DOCUMENTS

8,499,933 B2 * 8/2013 Ziemba A45D 33/26
206/320
9,643,767 B2 * 5/2017 Ziemba A45C 11/00
D859,746 S * 9/2019 Liston D28/83
D901,170 S * 11/2020 Sassi D3/243
D911,619 S * 2/2021 Kanen D28/83
10,918,179 B2 * 2/2021 Fernando G06F 1/1626
D957,817 S * 7/2022 Schilling D3/903
2004/0244812 A1 * 12/2004 Seidler A45D 40/221
132/301

OTHER PUBLICATIONS

Valentino Beauty Is the Luxury . . . [online]; [article published to the internet on May 25, 2021]; [retrieved from the internet on Sep. 17, 2022]; URL:<https://www.elle.com/beauty/makeup-skin-care/a36529828/valentino-beauty-best-products/> (5 pages). (Year: 2021).*

Testing a Full Face . . . [online]; [video published to the internet on Jun. 6, 2021]; [retrieved from the internet on Sep. 17, 2022]; URL:<https://www.youtube.com/watch?v=6KZB0KvvGaA> (5 pages). (Year: 2021).*

* cited by examiner

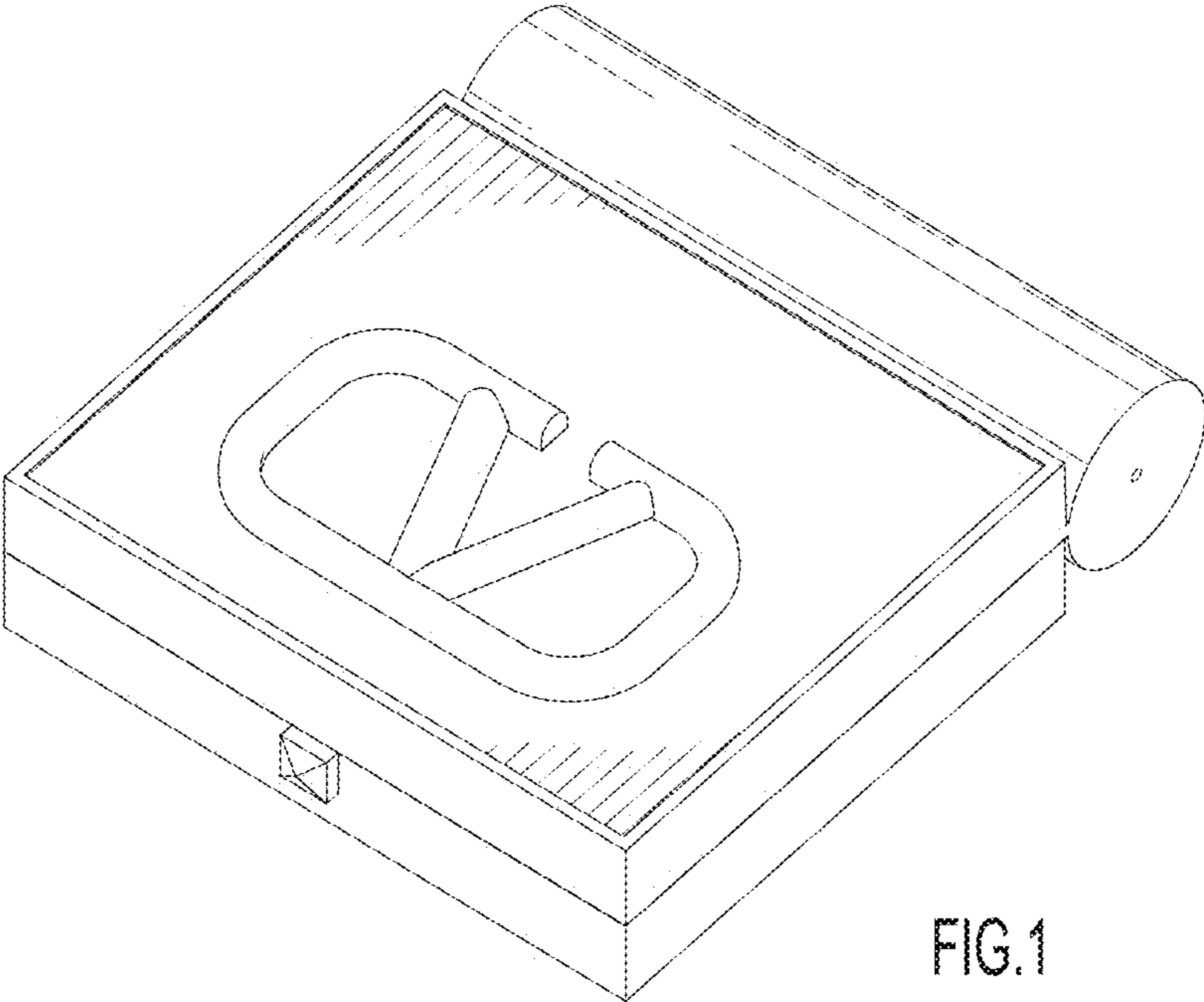


FIG.1

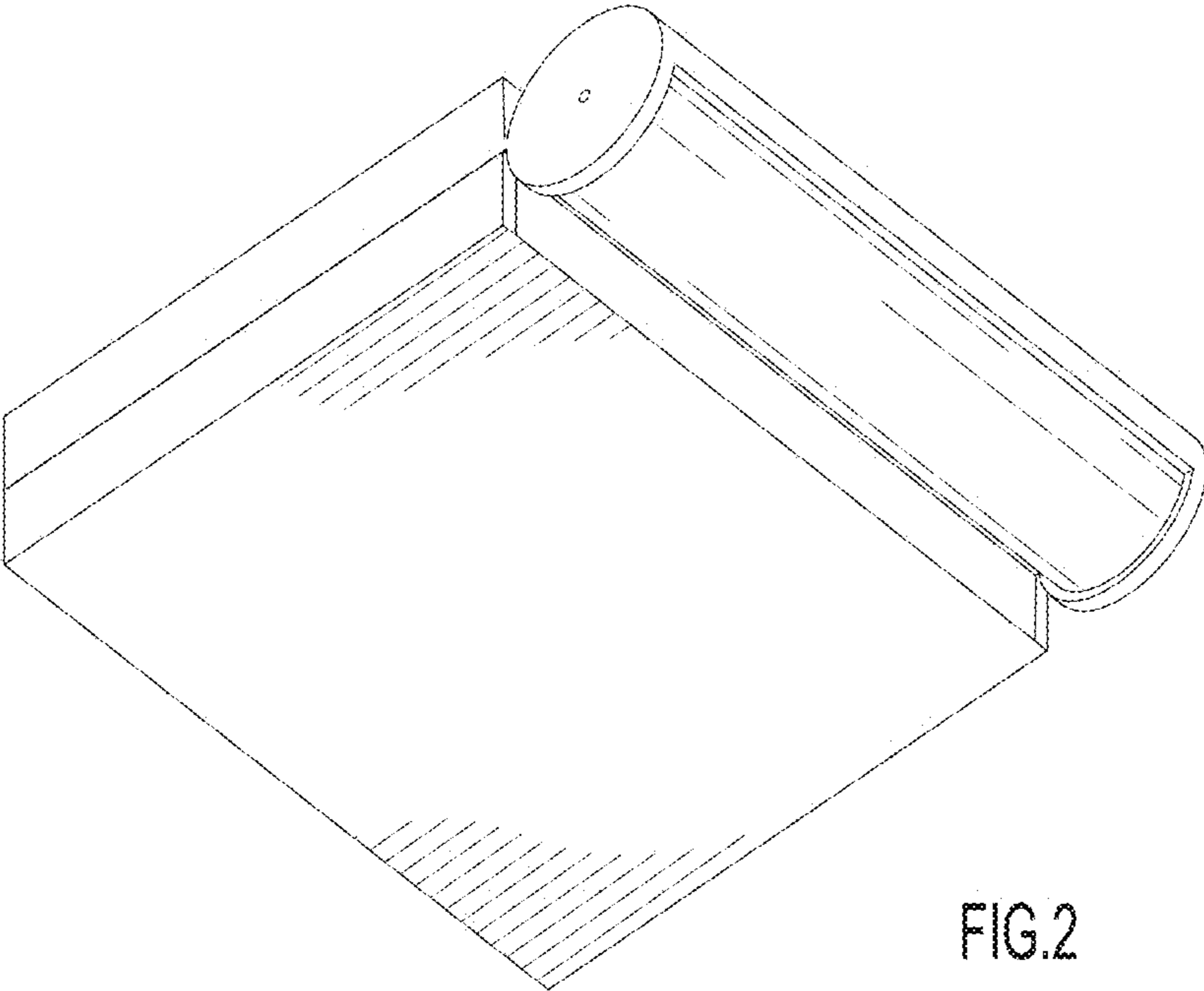


FIG.2

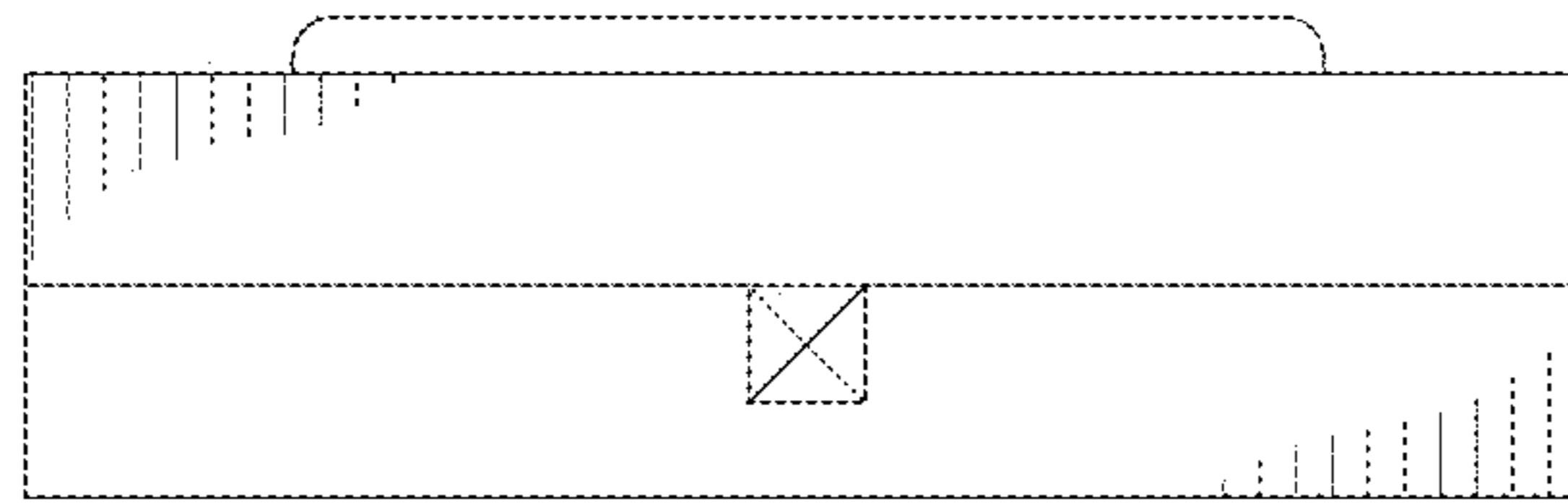


FIG.3

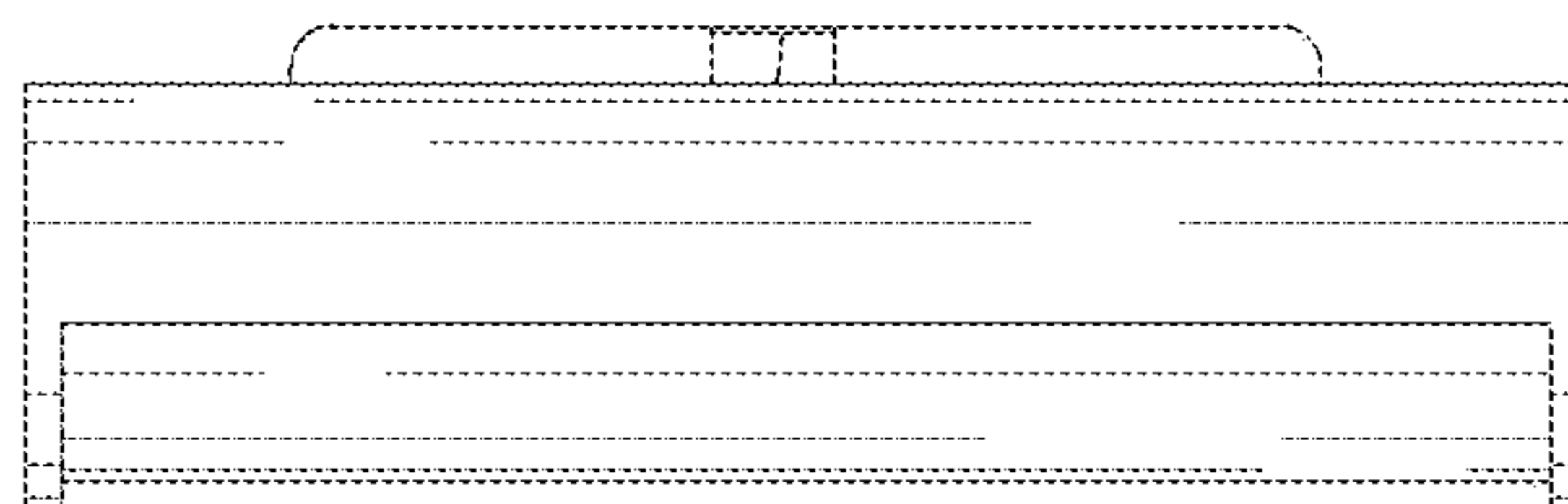


FIG.4

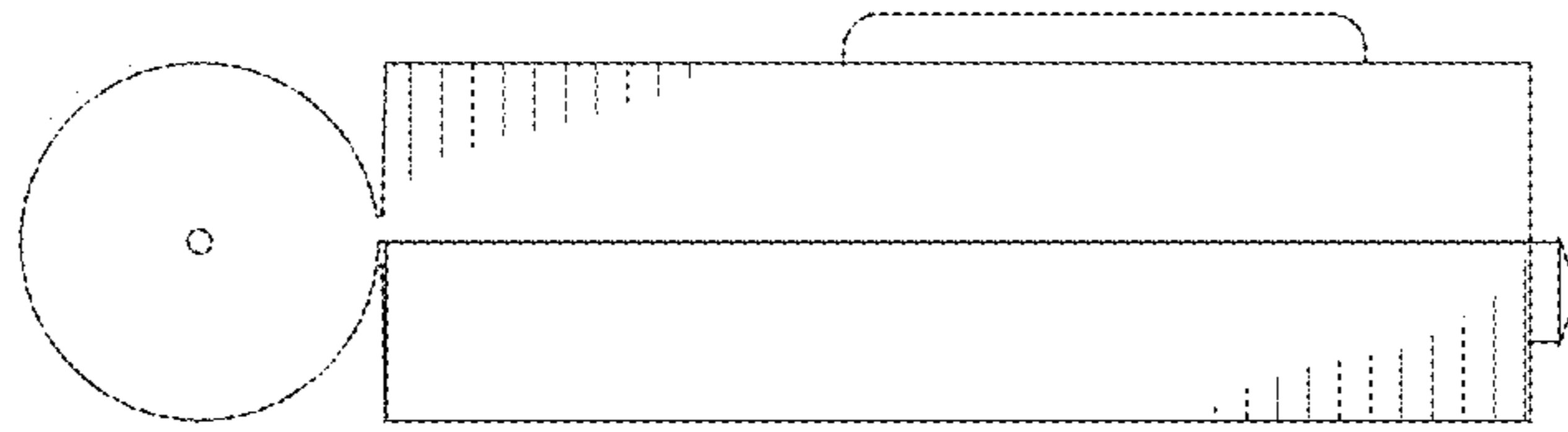


FIG.5

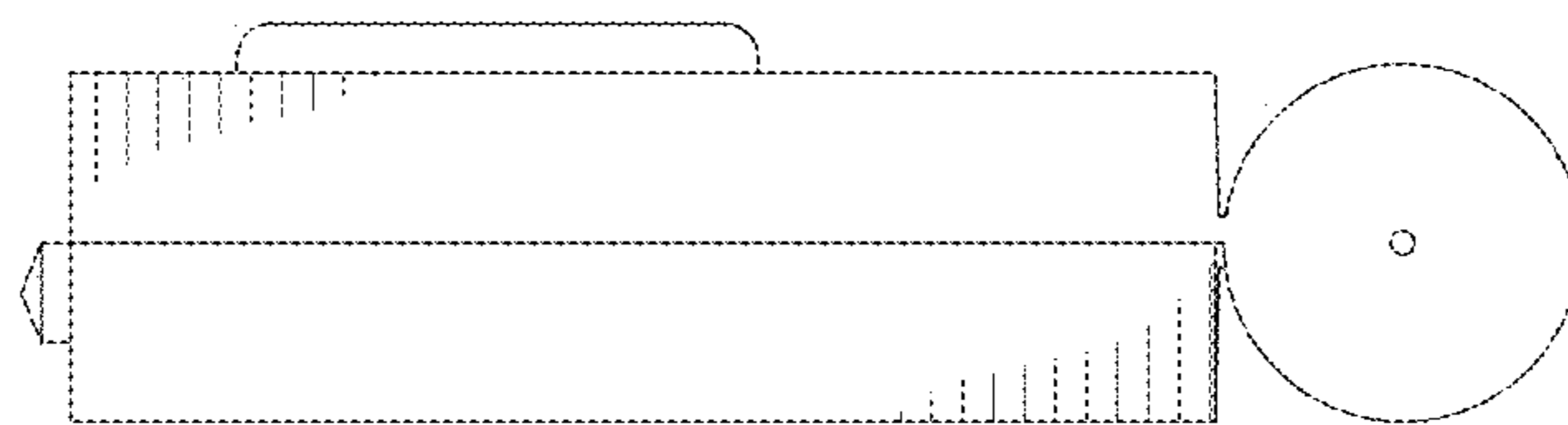


FIG.6

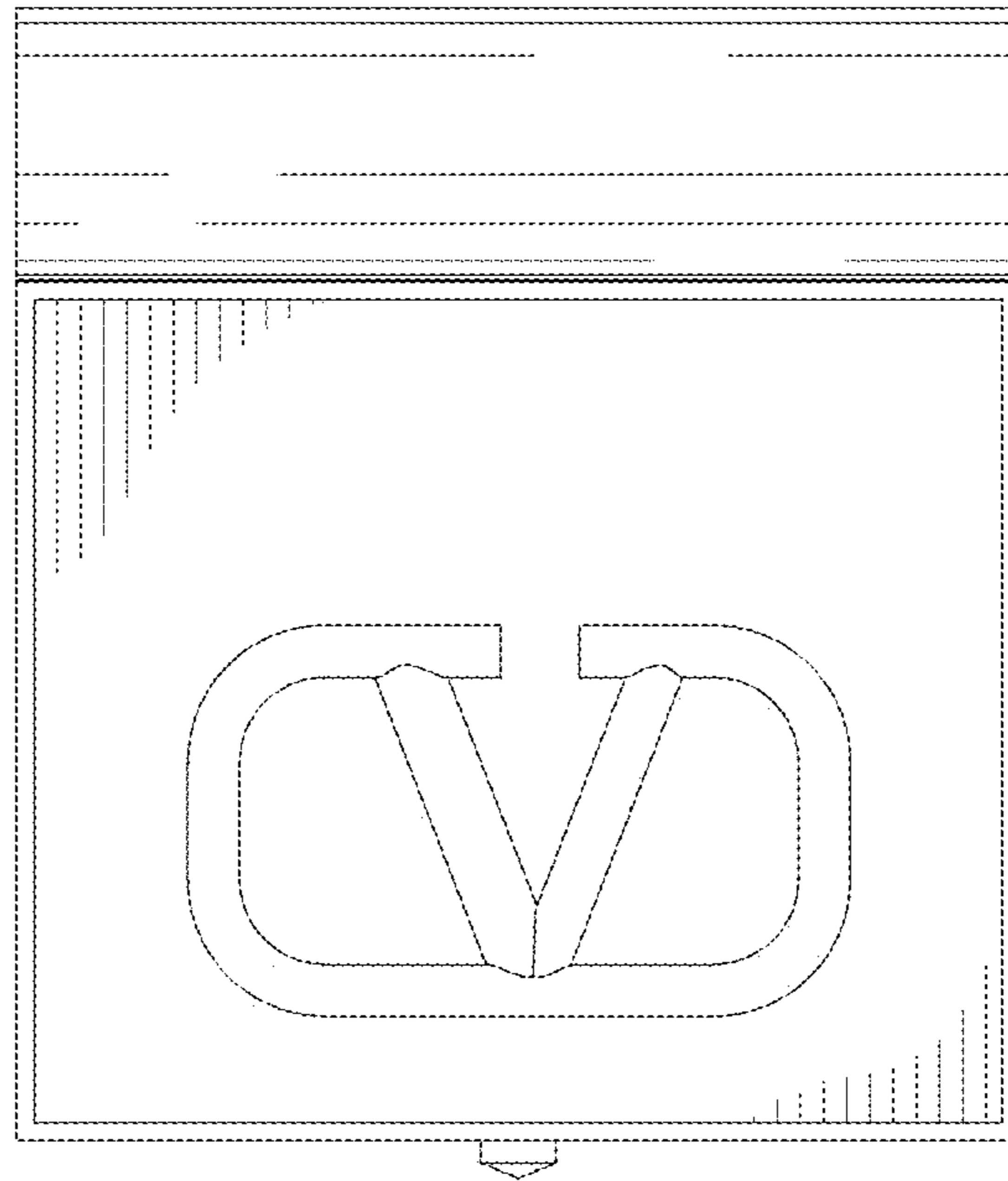


FIG. 7

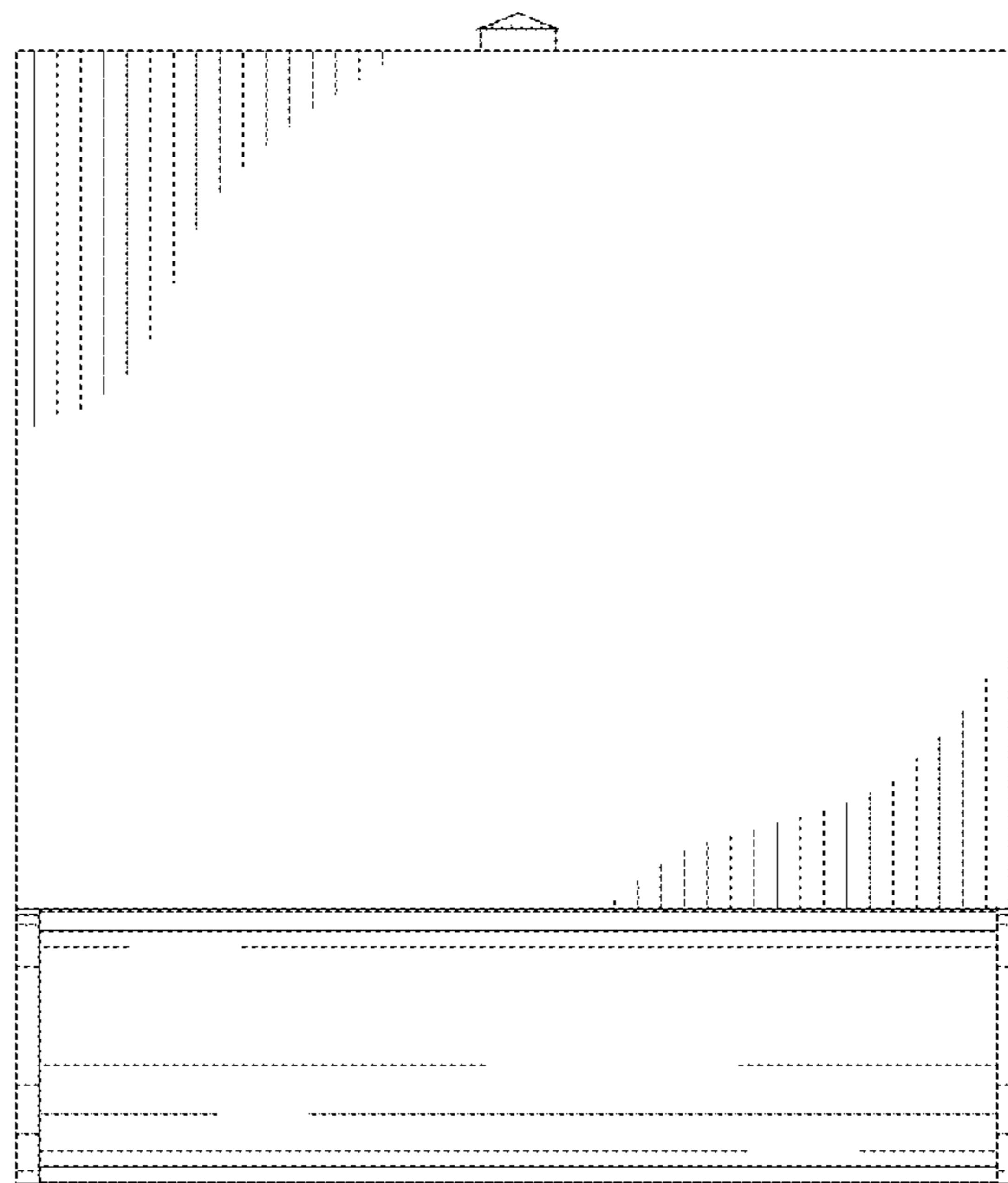


FIG. 8

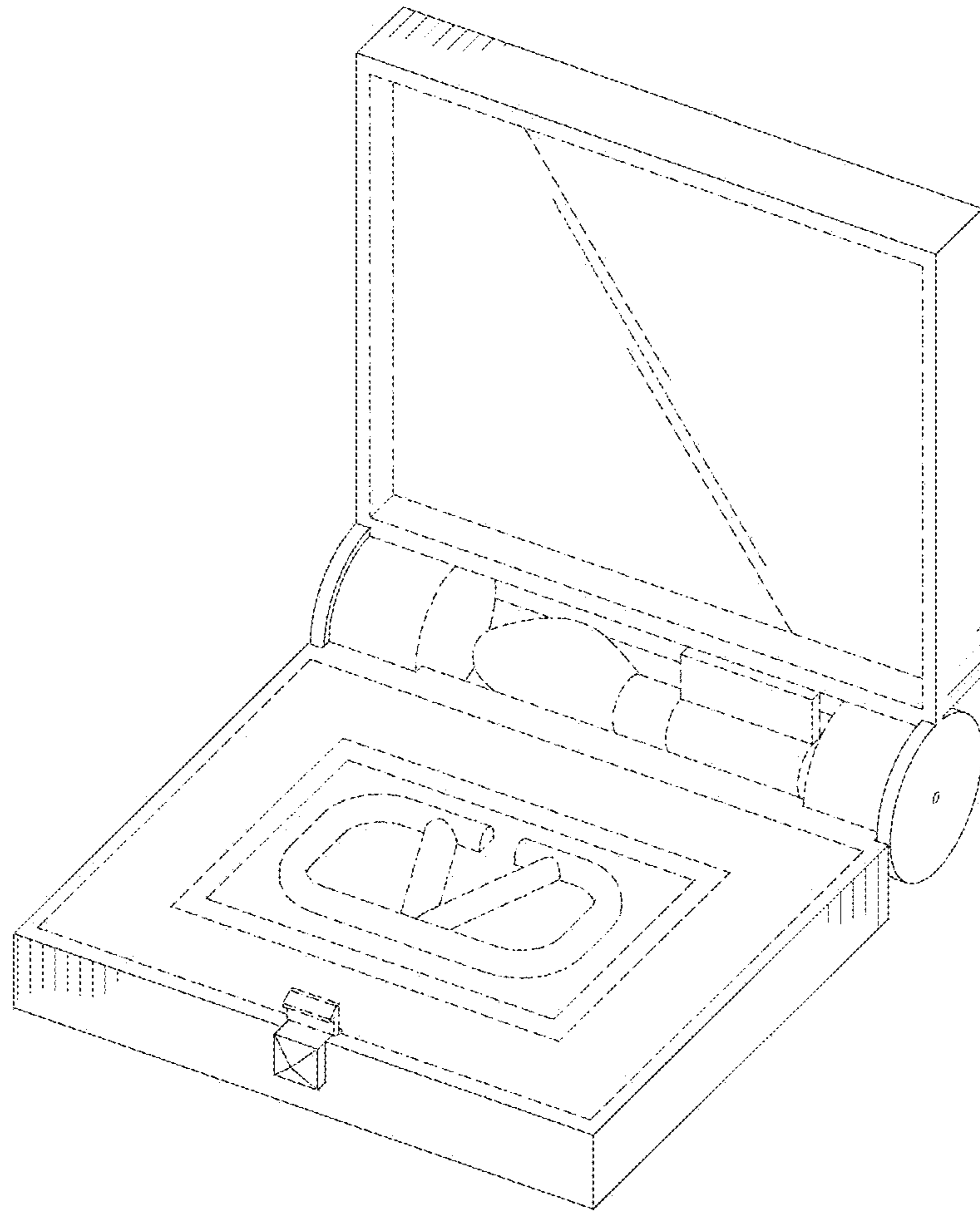


FIG.9