



US00D972219S

(12) **United States Design Patent** (10) **Patent No.:** **US D972,219 S**
Yun (45) **Date of Patent:** **** Dec. 6, 2022**

(54) **NAIL CLIPPING DEVICE WITH WEDGE**
(71) Applicant: **Woo Sung Yun**, New Britain, CT (US)
(72) Inventor: **Woo Sung Yun**, New Britain, CT (US)
(**) Term: **15 Years**
(21) Appl. No.: **29/723,286**
(22) Filed: **Feb. 5, 2020**
(51) **LOC (13) Cl.** **28-03**
(52) **U.S. Cl.**
USPC **D28/60**
(58) **Field of Classification Search**
USPC D28/45, 49, 52-53, 56-62, 73, 99
CPC A45D 29/00; A45D 29/02; A45D 29/04;
A45D 29/06; A45D 29/11; A45D 29/14;
A45D 29/29; A45D 29/18; A61B 17/54
See application file for complete search history.

(56) **References Cited**
U.S. PATENT DOCUMENTS

5,074,041	A *	12/1991	Wagner	A45D 29/023 30/28
D437,458	S *	2/2001	Kim	D28/60
D448,523	S *	9/2001	Kramer	D28/60
D554,289	S *	10/2007	Johnson	D28/60
D573,757	S *	7/2008	Kim	D28/60
D593,712	S *	6/2009	Han	D28/60
D846,194	S *	4/2019	Kim	D28/60
D846,804	S *	4/2019	Kim	D28/60
10,420,409	B1 *	9/2019	Crolley	A45D 29/02
D919,889	S *	5/2021	Park	D28/60
2002/0092171	A1 *	7/2002	Jung	A45D 29/02 30/28
2007/0067995	A1 *	3/2007	Alfaro	A45D 29/02 30/28
2010/0071213	A1 *	3/2010	Kim	A45D 29/02 30/28
2010/0257740	A1 *	10/2010	Wu	A45D 29/02 30/28
2017/0325567	A1 *	11/2017	Nikaran	A45D 29/02

OTHER PUBLICATIONS

LoaFis Social Enterprise Facebook page, posted on Jun. 1, 2019, retrieved on Jun. 1, 2021, retrieved from the Internet URL: <https://www.facebook.com/LoaFisSocialEnterprise/>.
Amazon.com _ ComfoHandling Nail Clipper, with Clipping Catcher, LoaFis, reviewed on Oct. 4, 2018, retrieved on Jun. 1, 2021, retrieved from the Internet URL: https://www.amazon.com/ComfoHandling-Clippers-Fingernail-Clipping-Rotating/dp/B07J1DT4B7?ref_ast_sto_dp&th=1.

* cited by examiner

Primary Examiner — Alison M Ofstun
(74) *Attorney, Agent, or Firm* — Sandy Lipkin

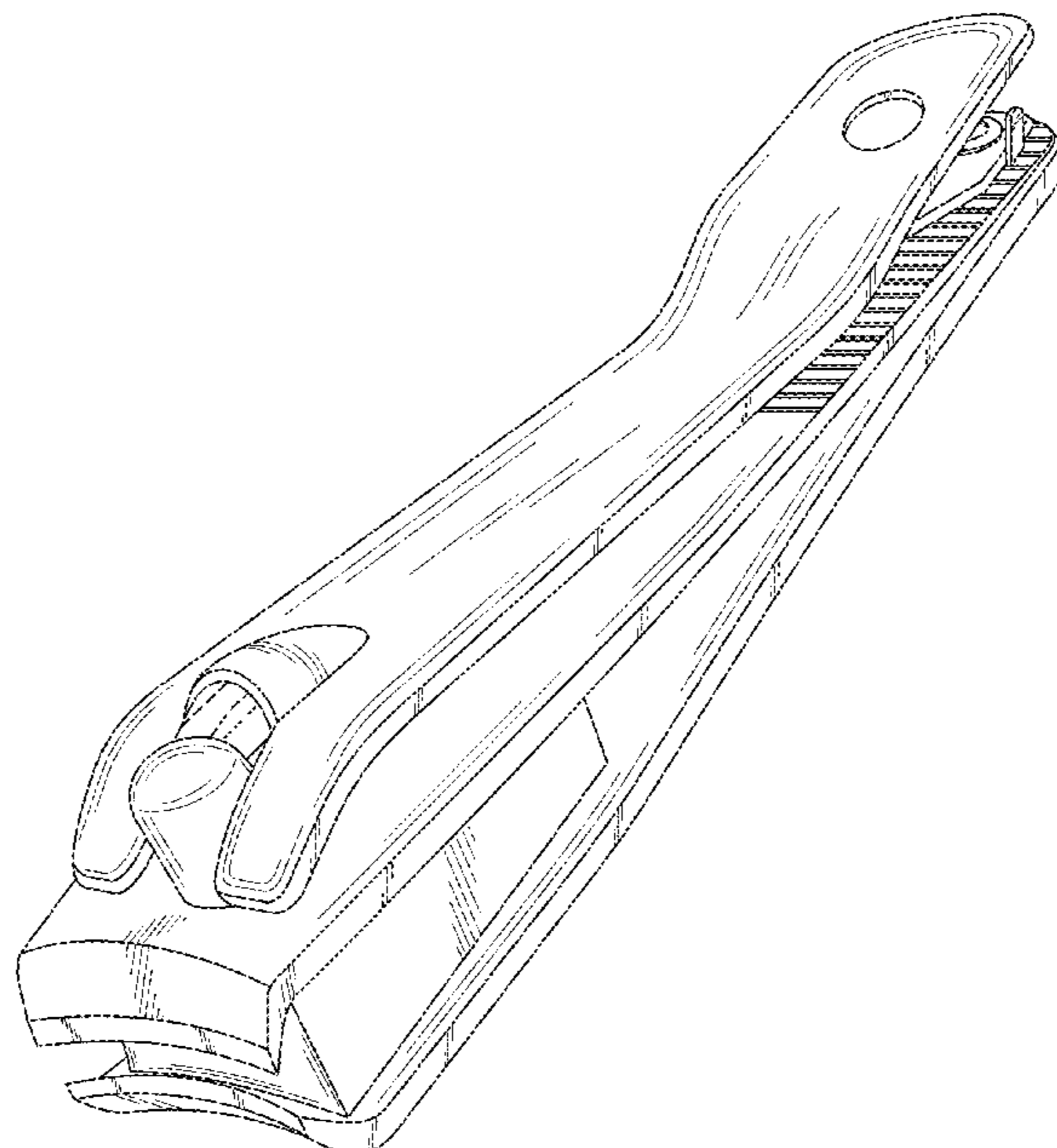
(57) **CLAIM**

The ornamental design for a nail clipping device with wedge, as shown and described.

DESCRIPTION

FIG. 1 is a top perspective view of a nail clipping device with wedge showing my new design.
FIG. 2 is a top view thereof.
FIG. 3 is a bottom view thereof.
FIG. 4 is a left side view thereof.
FIG. 5 is a right side view thereof.
FIG. 6 is a front view thereof.
FIG. 7 is a rear view thereof; and,
FIG. 8 is a top perspective view thereof, shown with the lever in an open position of use.
In the drawings, the broken line illustrates portions of the article which form no part of the claimed design.

1 Claim, 7 Drawing Sheets



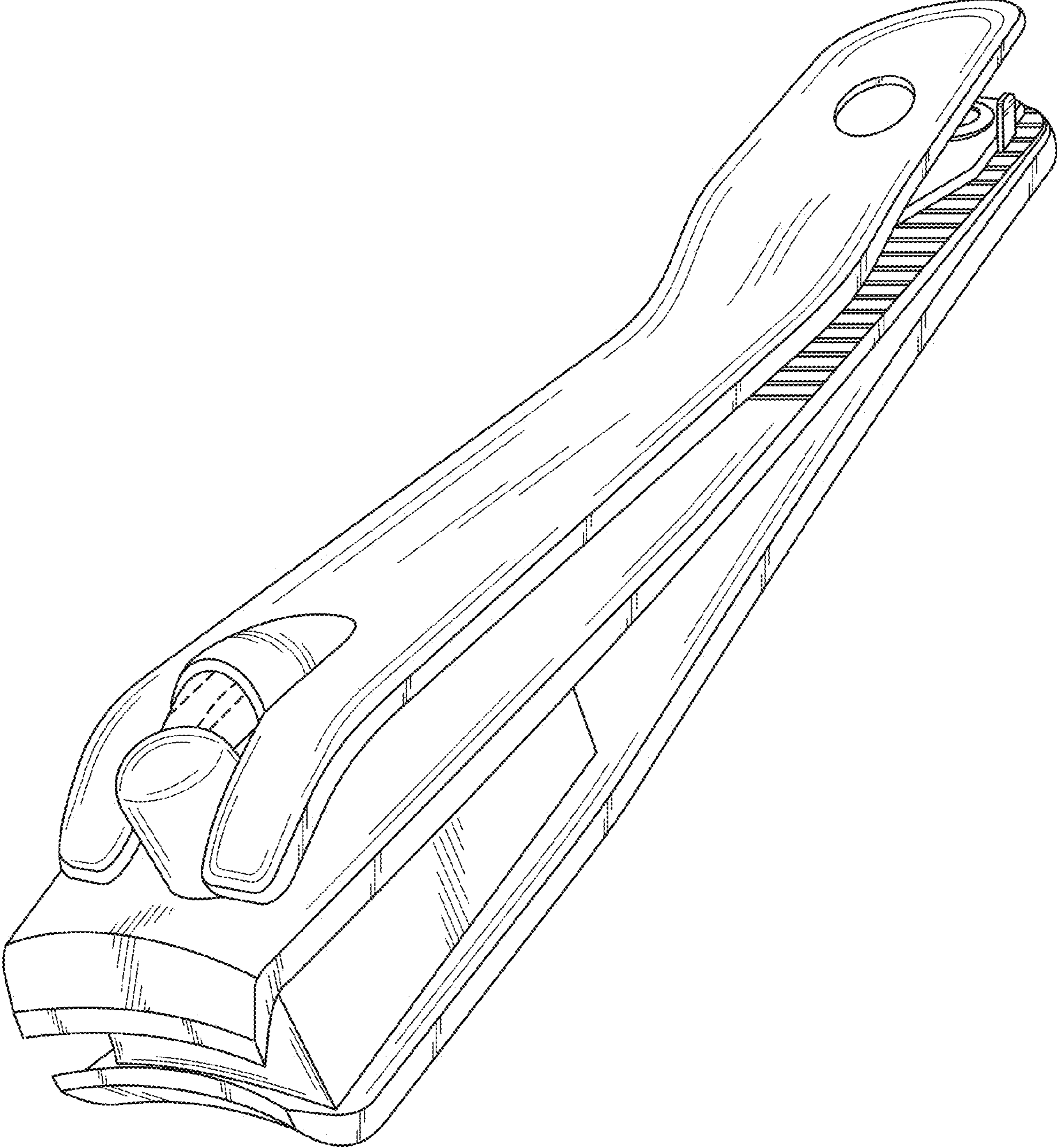


FIG. 1

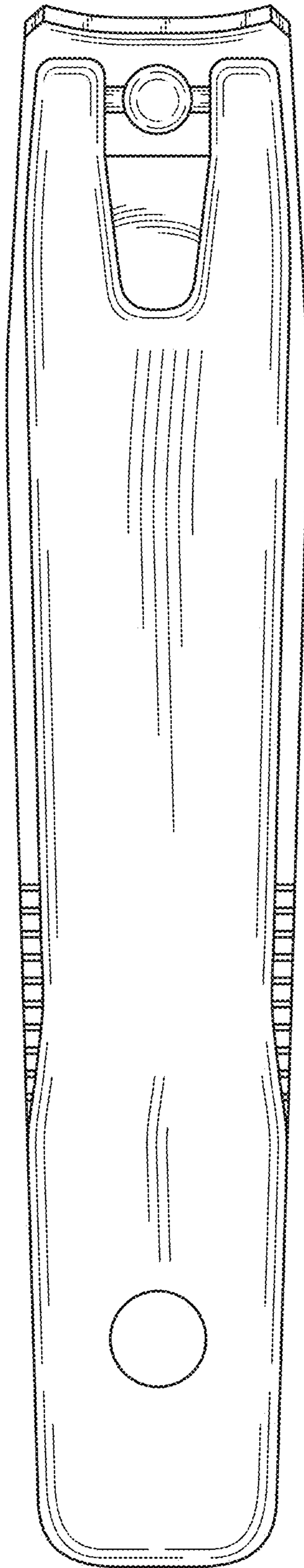


FIG. 2

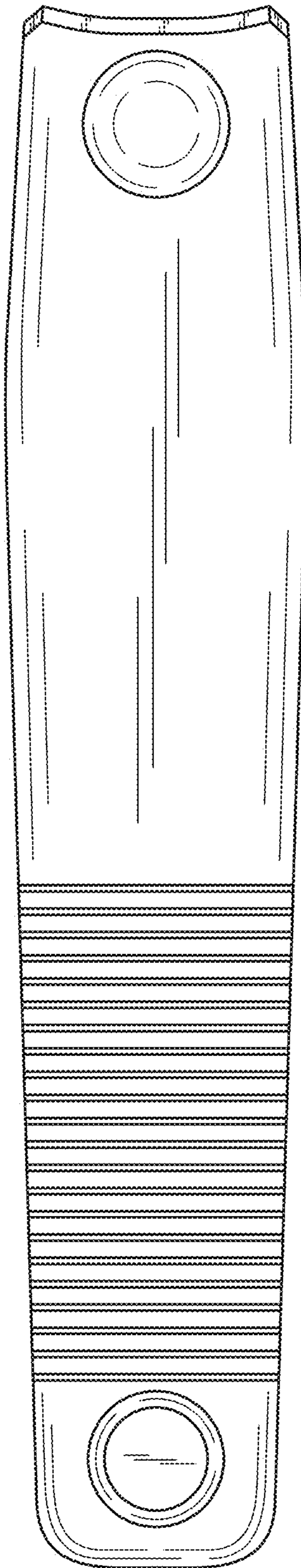


FIG. 3

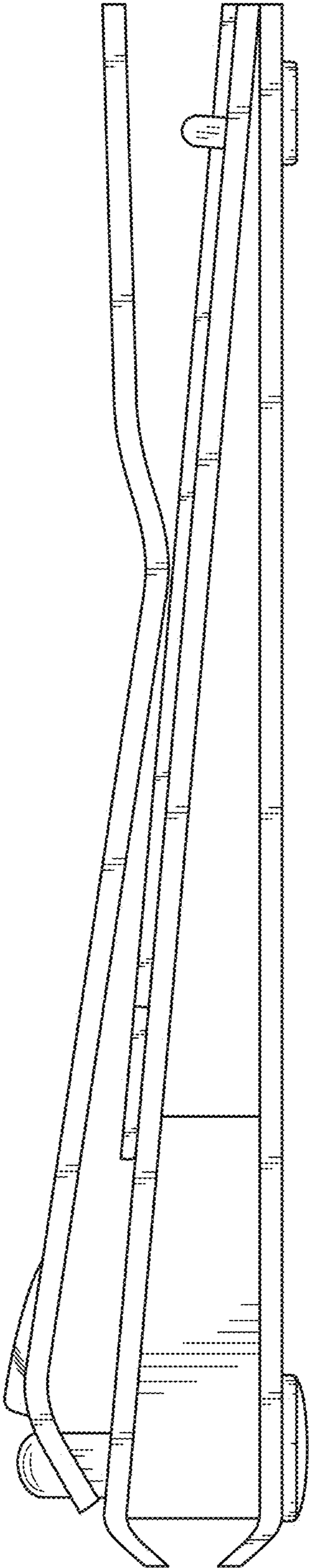


FIG. 4

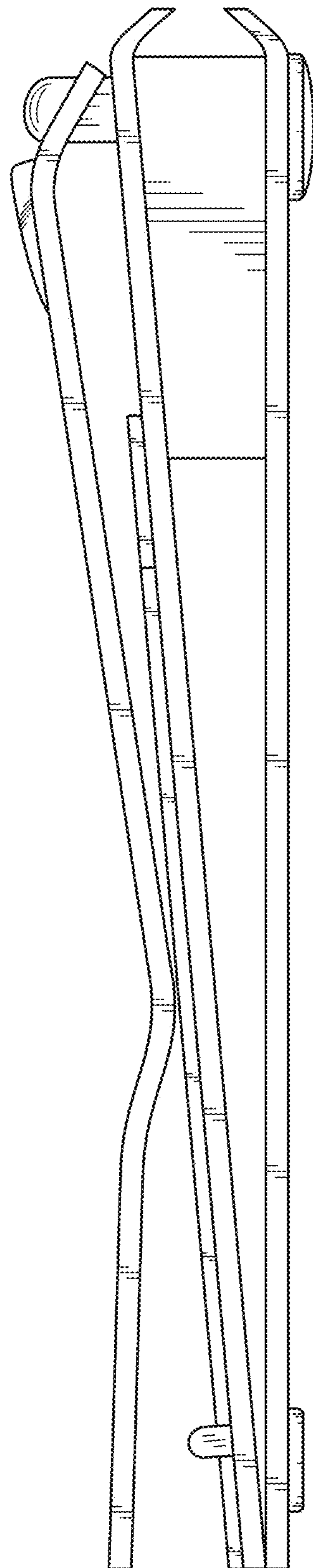


FIG. 5

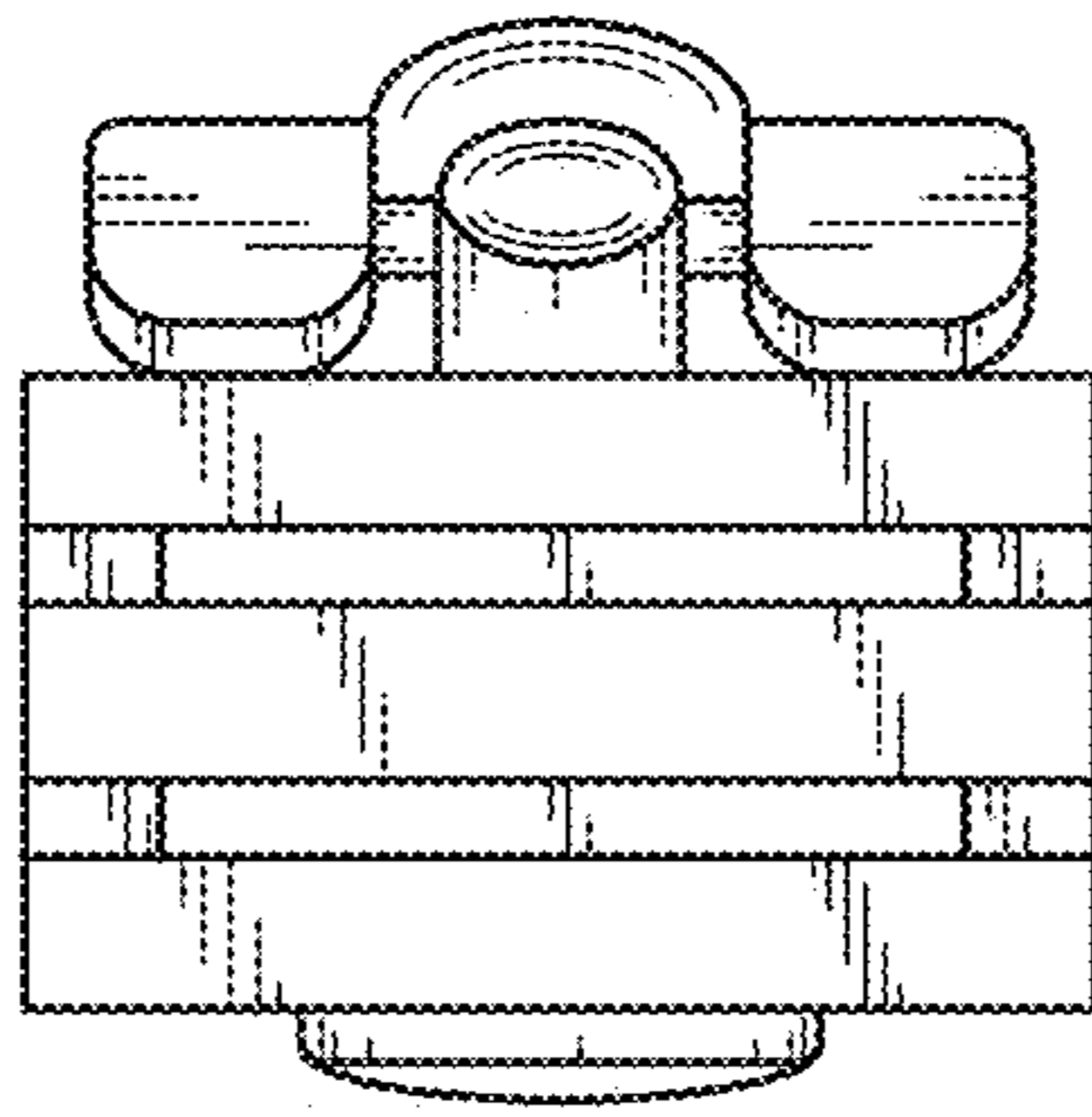


FIG. 6

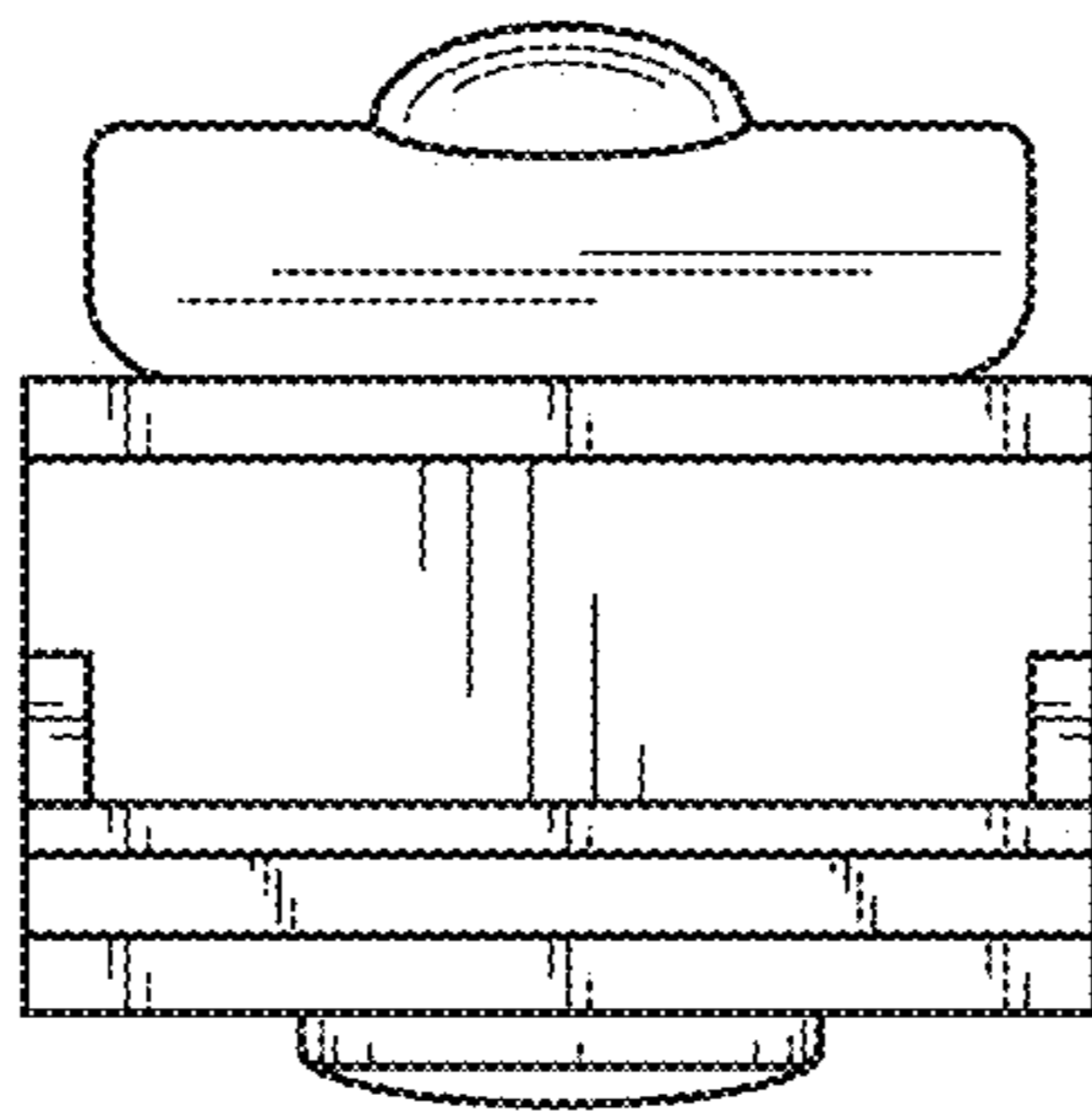


FIG. 7

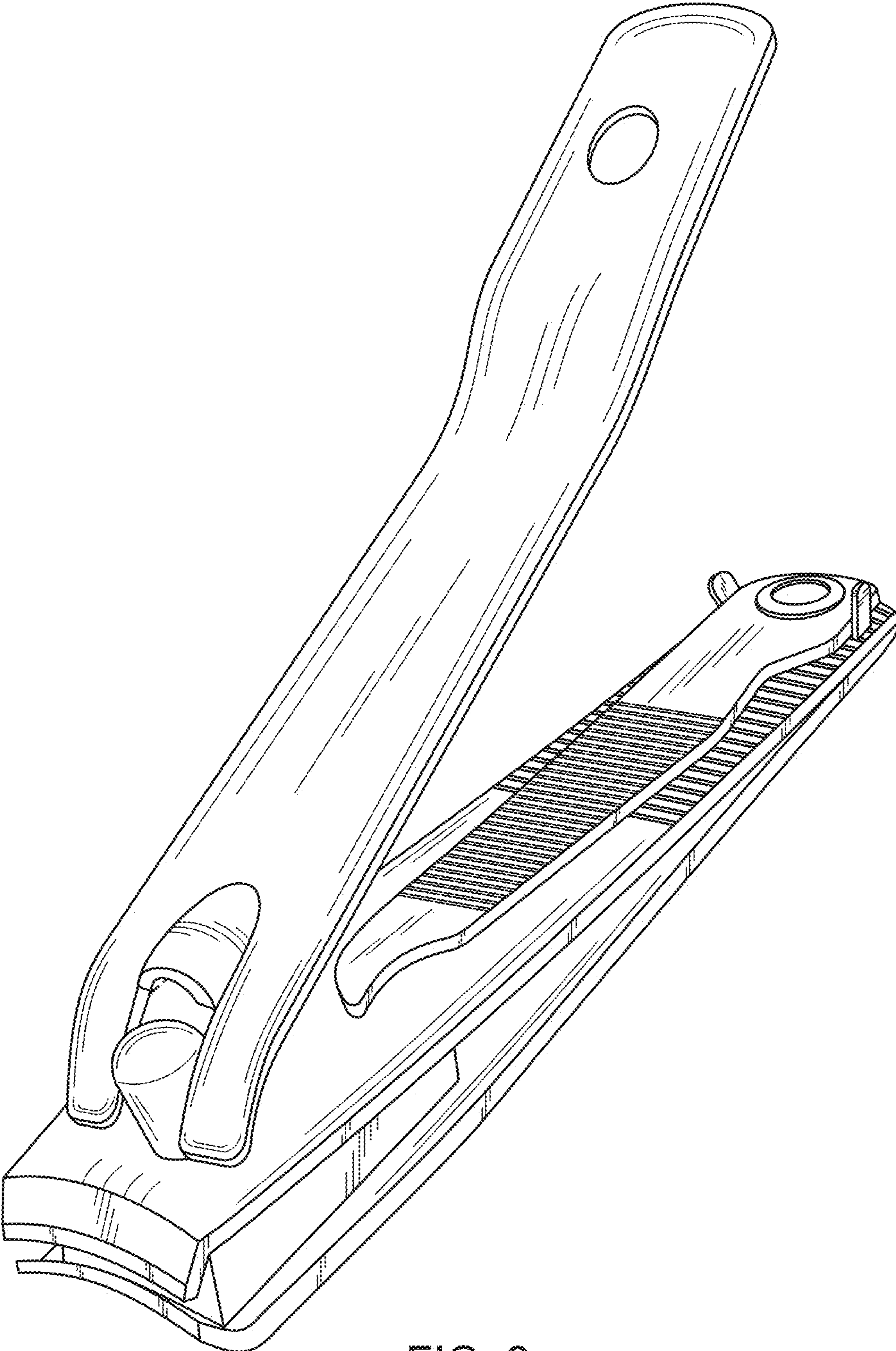


FIG. 8