



US00D972217S

(12) **United States Design Patent** (10) **Patent No.:** **US D972,217 S**
Werner et al. (45) **Date of Patent:** **** Dec. 6, 2022**

(54) **HAIR CLIPPER**

(71) Applicant: **Andis Company**, Sturtevant, WI (US)

(72) Inventors: **Edwin A. Werner**, Union Grove, WI (US); **Jake Schilling**, Racine, WI (US); **Evan A. Sparks**, Cottage Grove, WI (US)

(73) Assignee: **Andis Company**, Sturtevant, WI (US)

(**) Term: **15 Years**

(21) Appl. No.: **29/761,651**

(22) Filed: **Dec. 10, 2020**

(51) **LOC (13) Cl.** **28-03**

(52) **U.S. Cl.**
USPC **D28/54**

(58) **Field of Classification Search**
USPC D28/49-54; D30/159
CPC B26B 19/00; B26B 19/04; B26B 19/06;
B26B 19/10; B26B 19/18; B26B 19/38
See application file for complete search history.

(56) **References Cited**

U.S. PATENT DOCUMENTS

2,502,036	A	3/1950	Dietrich	
3,157,804	A	11/1964	Goodwin	
D339,213	S *	9/1993	Wahl	D28/54
8,341,846	B1	1/2013	Holmes	
D675,782	S *	2/2013	Buck, Jr.	D28/54
D681,276	S	4/2013	Colle	
9,038,276	B2 *	5/2015	Arndt	B26B 19/06 30/208
9,266,245	B2	2/2016	Kammer et al.	
9,352,476	B1	5/2016	Holmes	
D790,133	S *	6/2017	Aulwes	D28/54
D844,245	S *	3/2019	Wu	D28/53

D846,192	S *	4/2019	Wu	D28/53
D870,384	S *	12/2019	Fleming	D28/54
D870,385	S *	12/2019	Fleming	D28/54
D872,938	S *	1/2020	Fleming	D28/54
D911,613	S *	2/2021	Jiang	D28/53
D911,614	S *	2/2021	Jiang	D28/53
D930,903	S *	9/2021	Zhuang	D28/53
D939,774	S *	12/2021	Jiang	D28/53
2014/0115901	A1 *	5/2014	Liao	B26B 19/06 30/208
2017/0305021	A1 *	10/2017	Skuhra	B26B 19/3853

* cited by examiner

Primary Examiner — Jennifer Rivard

Assistant Examiner — Alison M Ofstun

(74) *Attorney, Agent, or Firm* — Reinhart Boerner Van Deuren s.c.

(57) **CLAIM**

We claim the ornamental design for a hair clipper, as shown and described.

DESCRIPTION

FIG. 1 is a top perspective view of a hair clipper, showing our new design;

FIG. 2 is a bottom perspective view of the hair clipper of FIG. 1.

FIG. 3 is a front side view of the hair clipper of FIG. 1.

FIG. 4 is a rear side view of the hair clipper of FIG. 1.

FIG. 5 is a left side view of the hair clipper of FIG. 1.

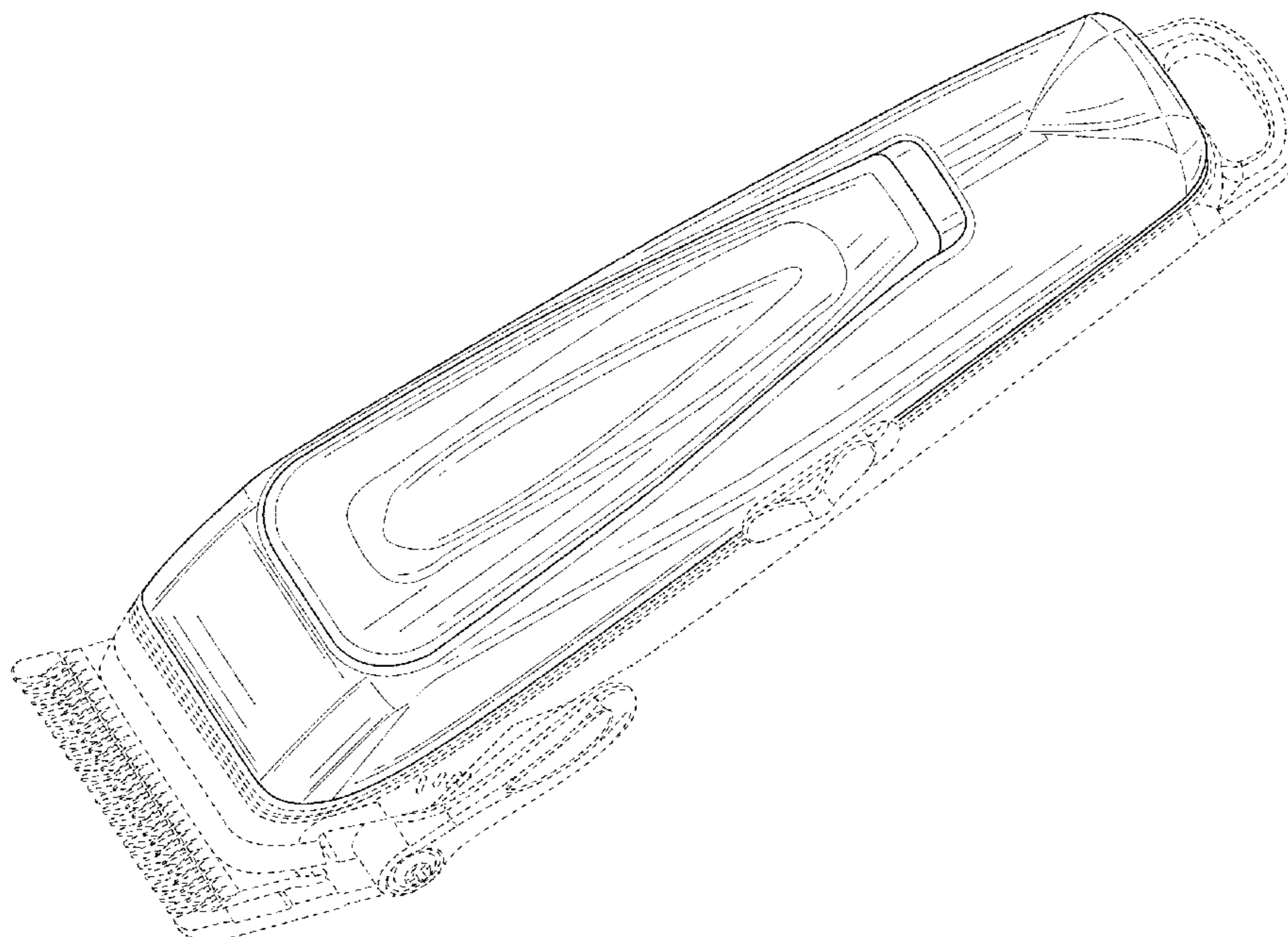
FIG. 6 is a right side view of the hair clipper of FIG. 1.

FIG. 7 is a top side view of the hair clipper of FIG. 1; and,

FIG. 8 is a bottom side view of the hair clipper of FIG. 1.

The evenly spaced broken lines in the drawings illustrate portions of the article which form no part of the claimed design.

1 Claim, 7 Drawing Sheets



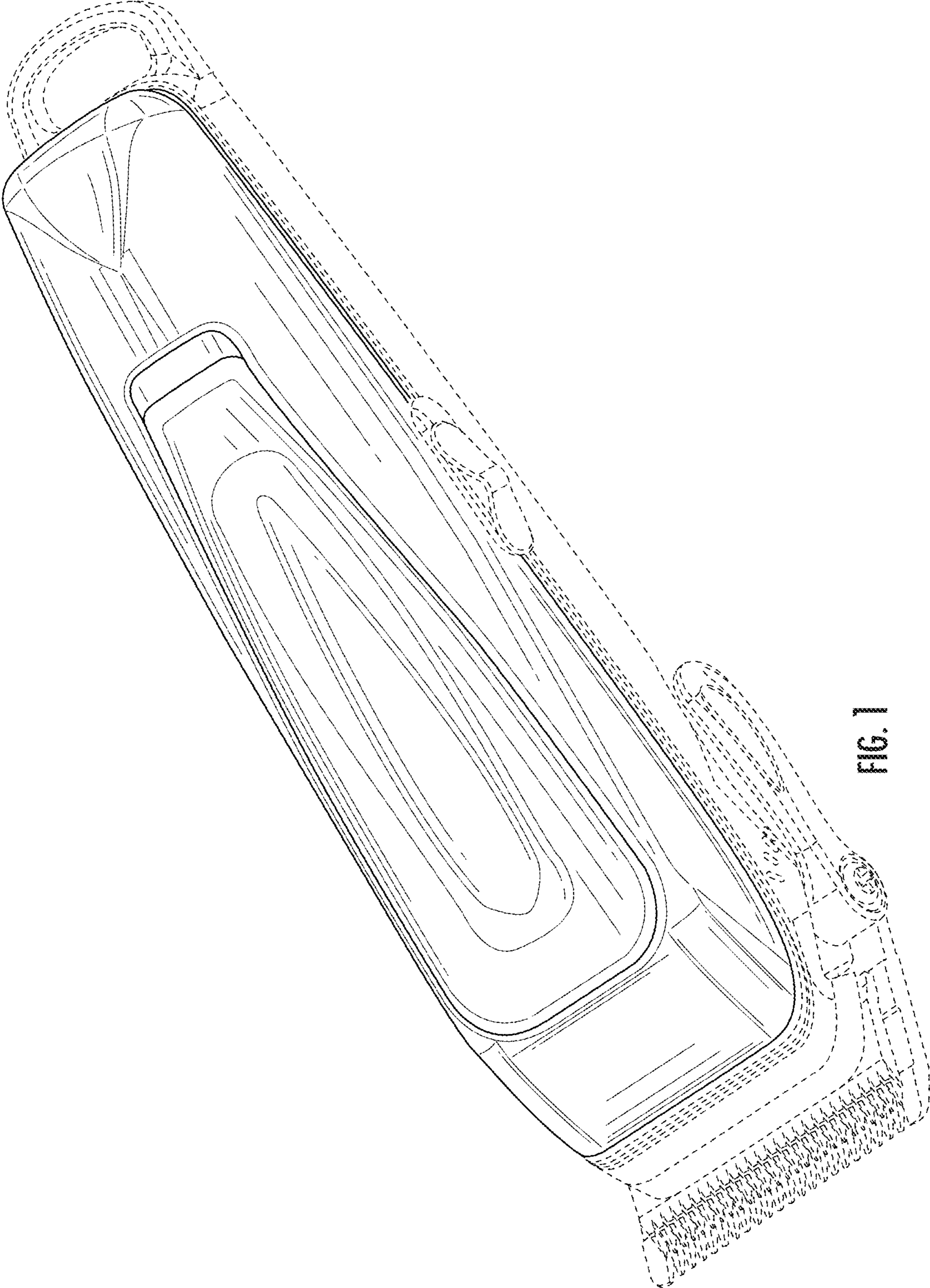


FIG. 1

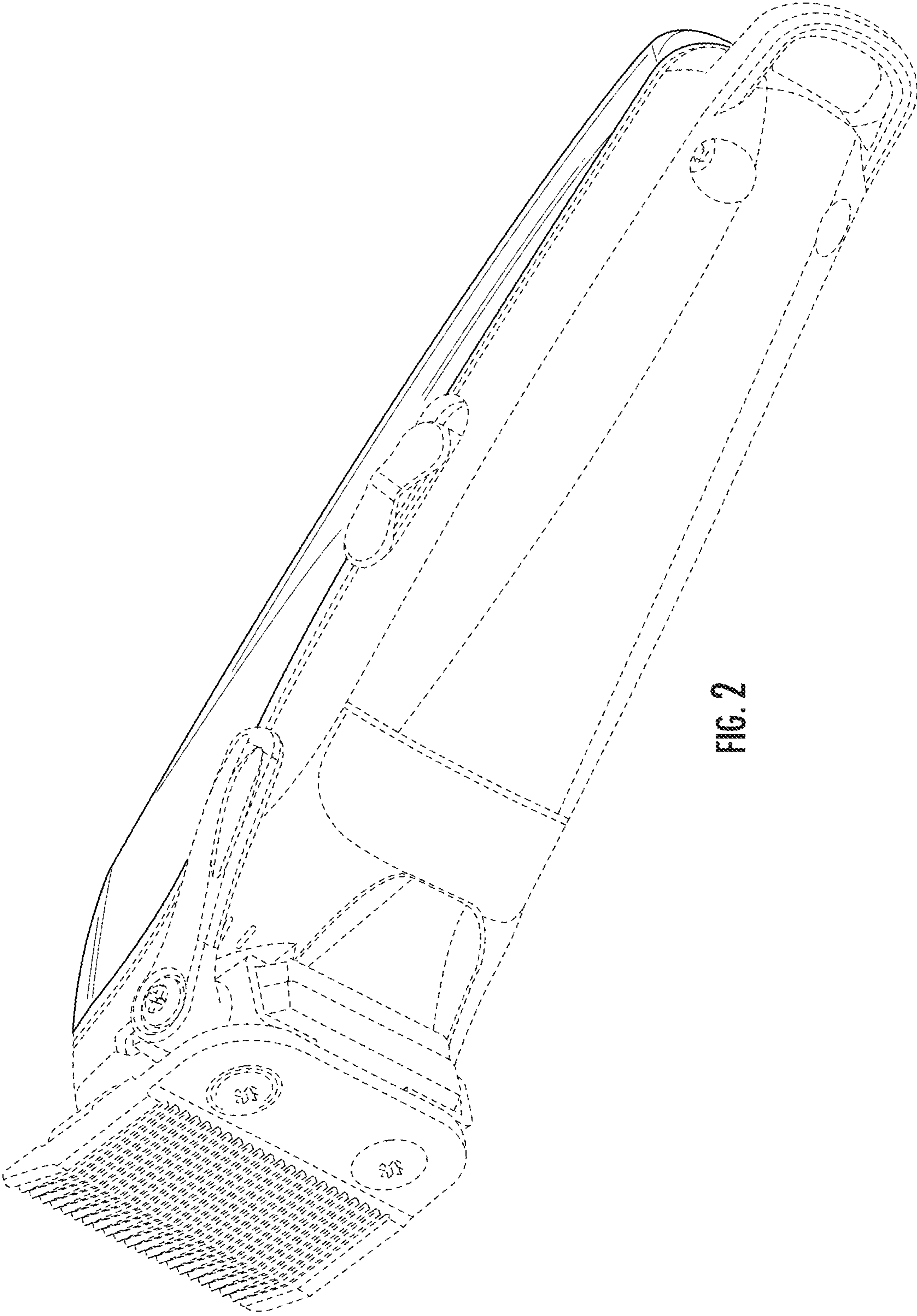


FIG. 2

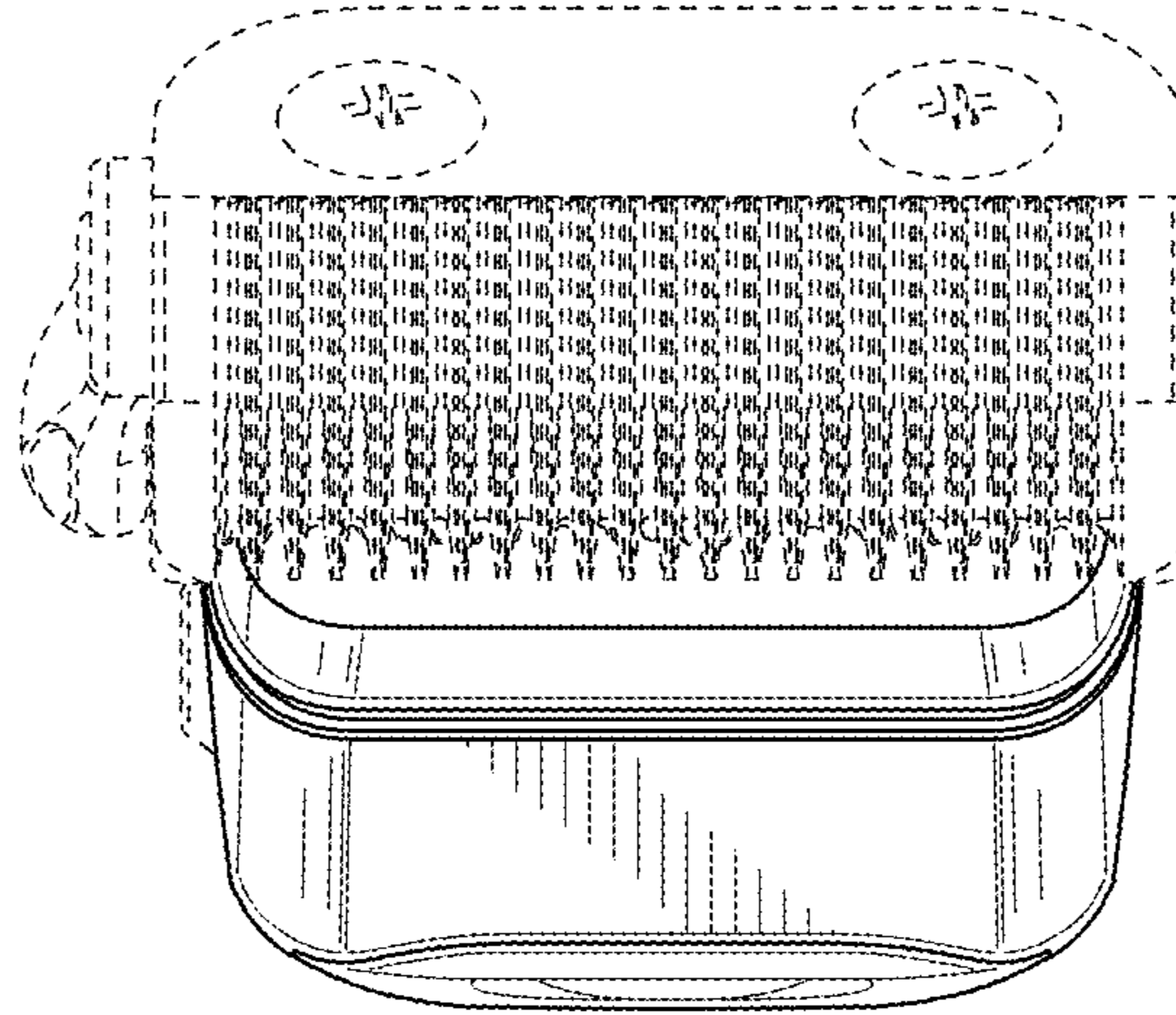


FIG. 3

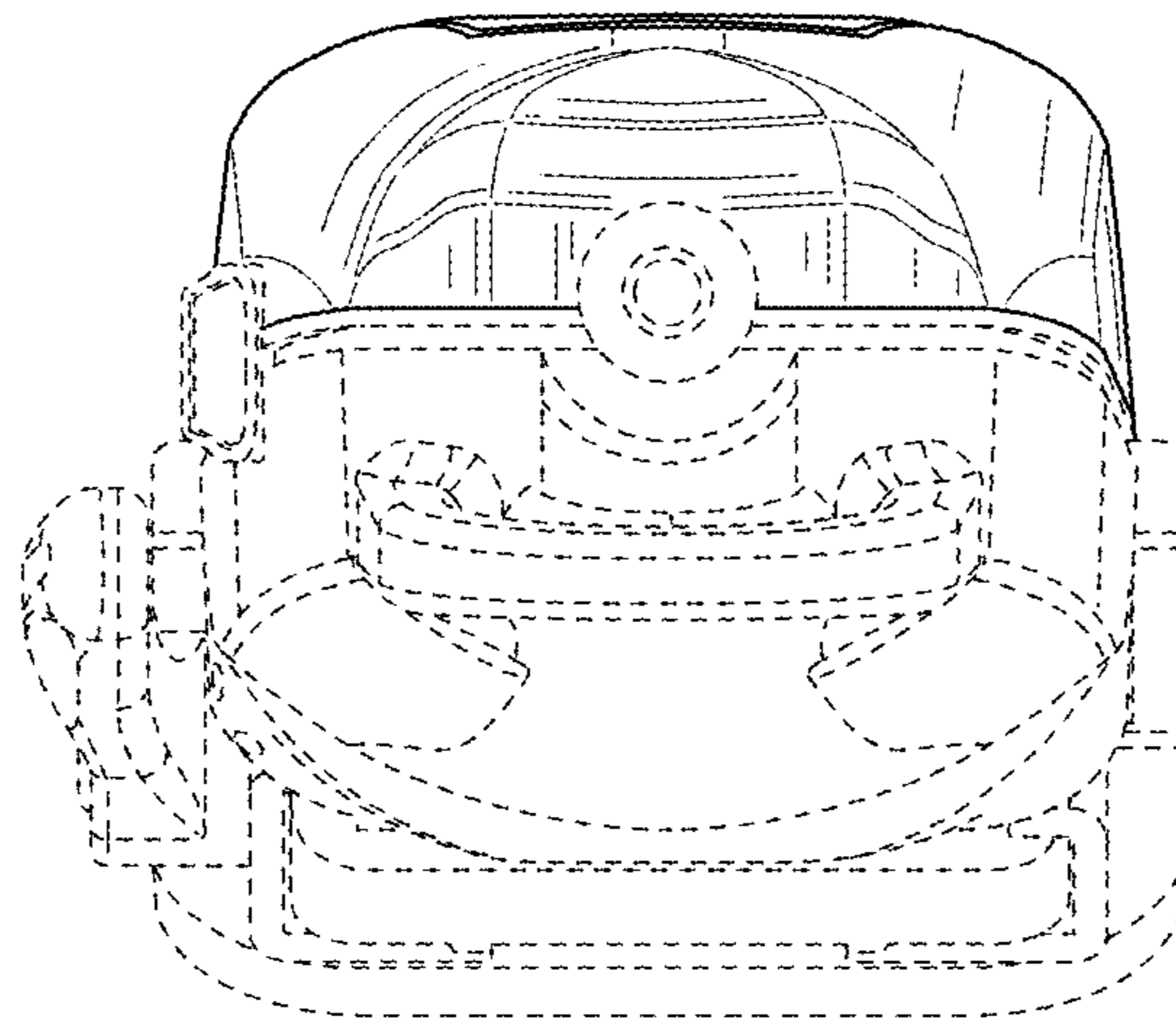


FIG. 4

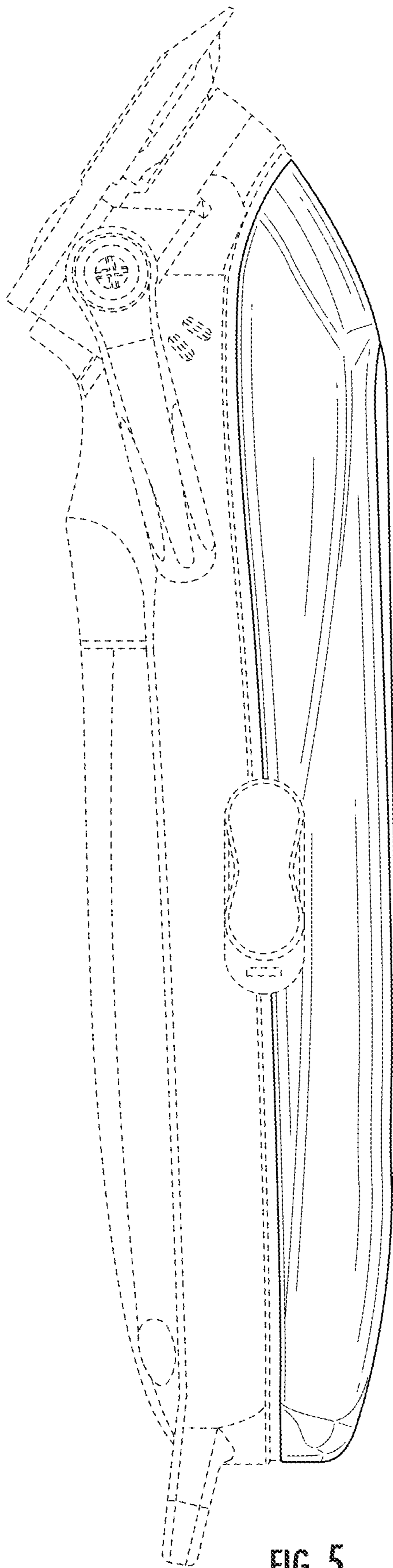


FIG. 5

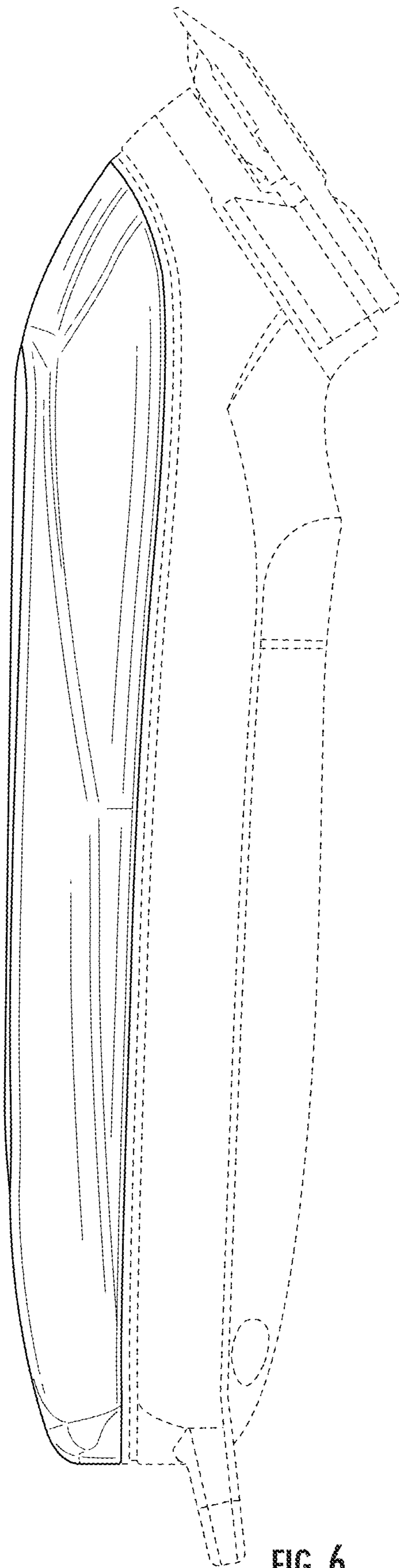


FIG. 6

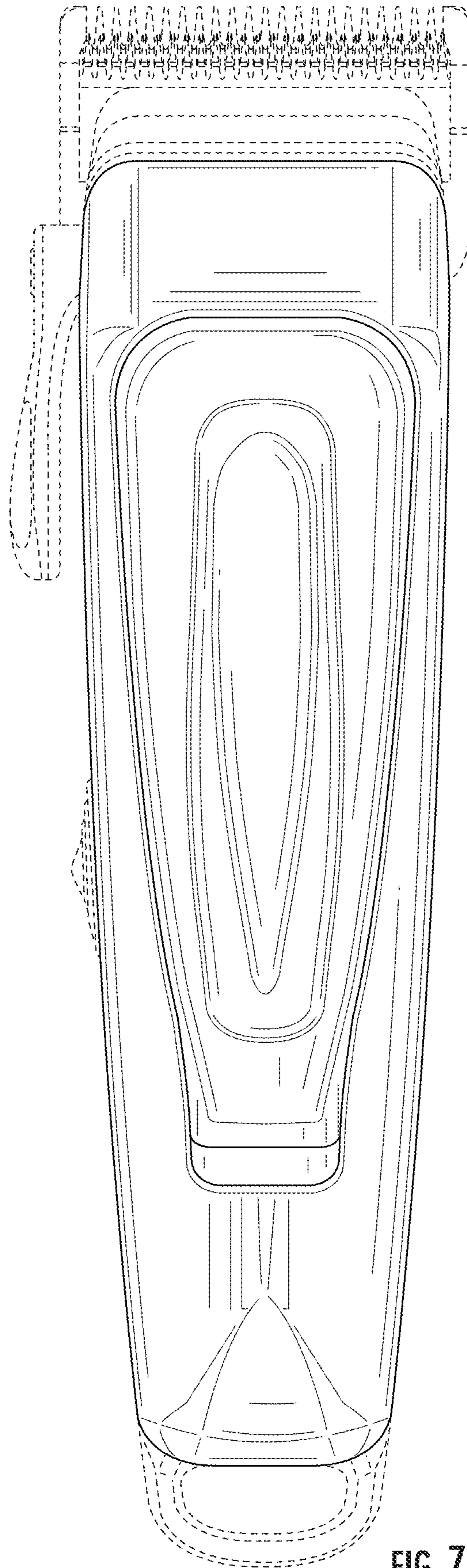


FIG. 7

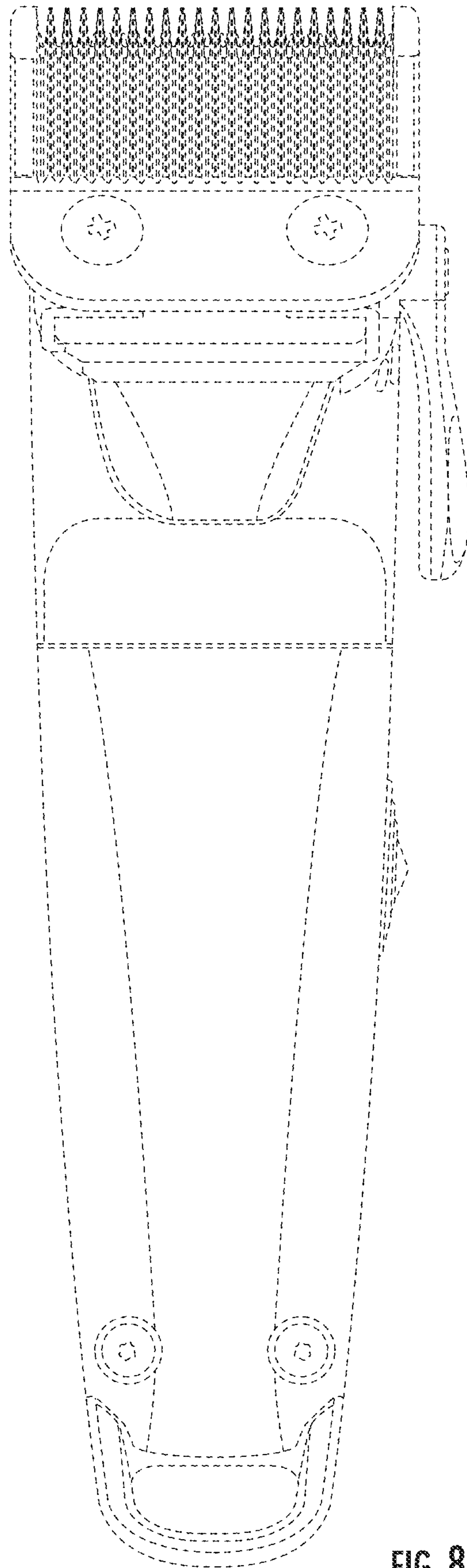


FIG. 8