

US00D972214S

(12) **United States Design Patent** (10) **Patent No.:** **US D972,214 S**
Lu (45) **Date of Patent:** **** Dec. 6, 2022**

(54) **ELECTRIC SHAVER**
(71) Applicant: **Yuyao Ruike Electric Co., Ltd., Yuyao (CN)**

D941,530 S * 1/2022 Chen D28/50
D942,081 S * 1/2022 Liu D28/50
D945,071 S 3/2022 Huang
D961,157 S * 8/2022 Kang D28/50
D961,158 S * 8/2022 Kang D28/50

(72) Inventor: **Degang Lu, Yuyao (CN)**

OTHER PUBLICATIONS

(**) Term: **15 Years**

Head Shaver for Men by FYB, www.amazon.co.uk, first available Feb. 19, 2022, 1 page (Year: 2022).*

(21) Appl. No.: **29/835,241**

* cited by examiner

(22) Filed: **Apr. 18, 2022**

(51) **LOC (13) Cl.** **28-03**

Primary Examiner — Jennifer Rivard

(52) **U.S. Cl.**
USPC **D28/50**

(74) *Attorney, Agent, or Firm* — Rumit Ranjit Kanakia

(58) **Field of Classification Search**
USPC D28/50, 54
CPC B26B 19/384–388; B26B 19/14–18; B26B 19/00–107

(57) **CLAIM**

The ornamental design for an electric shaver, as shown and described.

See application file for complete search history.

DESCRIPTION

(56) **References Cited**

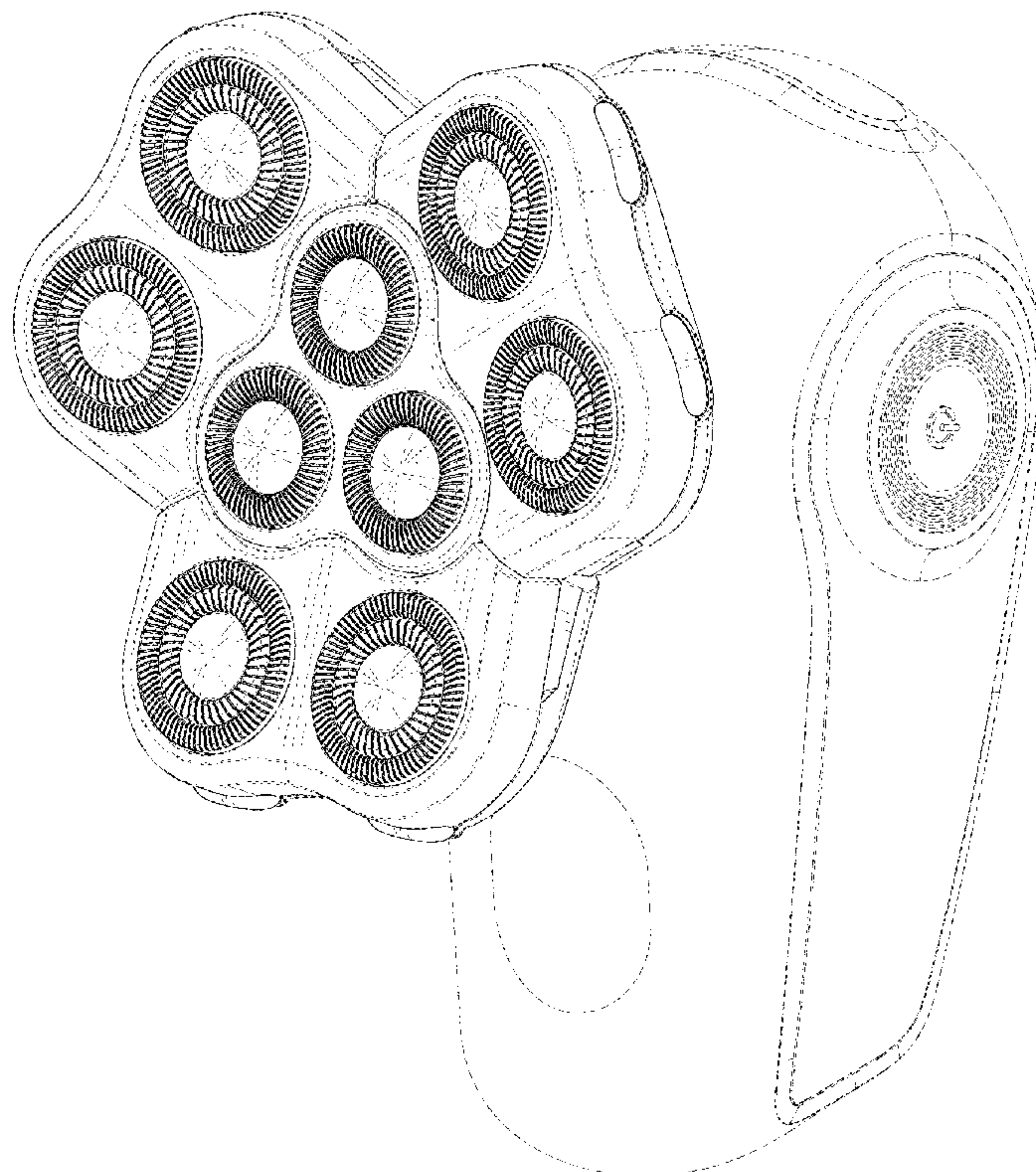
FIG. 1 is a perspective view of an electric shaver showing my new design;
FIG. 2 is another perspective view thereof;
FIG. 3 is a front elevational view thereof;
FIG. 4 is a rear elevational view thereof;
FIG. 5 is a left elevational view thereof;
FIG. 6 is a right elevational view thereof;
FIG. 7 is a top plan view thereof; and,
FIG. 8 is a bottom plan view thereof.

U.S. PATENT DOCUMENTS

The broken lines in the figures are for the purposes of illustrating portions of the electric shaver, which form no part of the claimed design.

D469,219 S	1/2003	McLachlan	
D549,391 S	8/2007	Kawafune	
D672,504 S	12/2012	Lyles	
D754,398 S	4/2016	Shimizu	
D844,243 S	3/2019	Chen	
D853,645 S *	7/2019	Stowers	D28/50
D858,880 S	9/2019	Lu	
D858,881 S	9/2019	Lu	
D918,474 S	5/2021	Lu	
D924,486 S *	7/2021	Chen	D28/50
D925,124 S	7/2021	Huang	

1 Claim, 8 Drawing Sheets



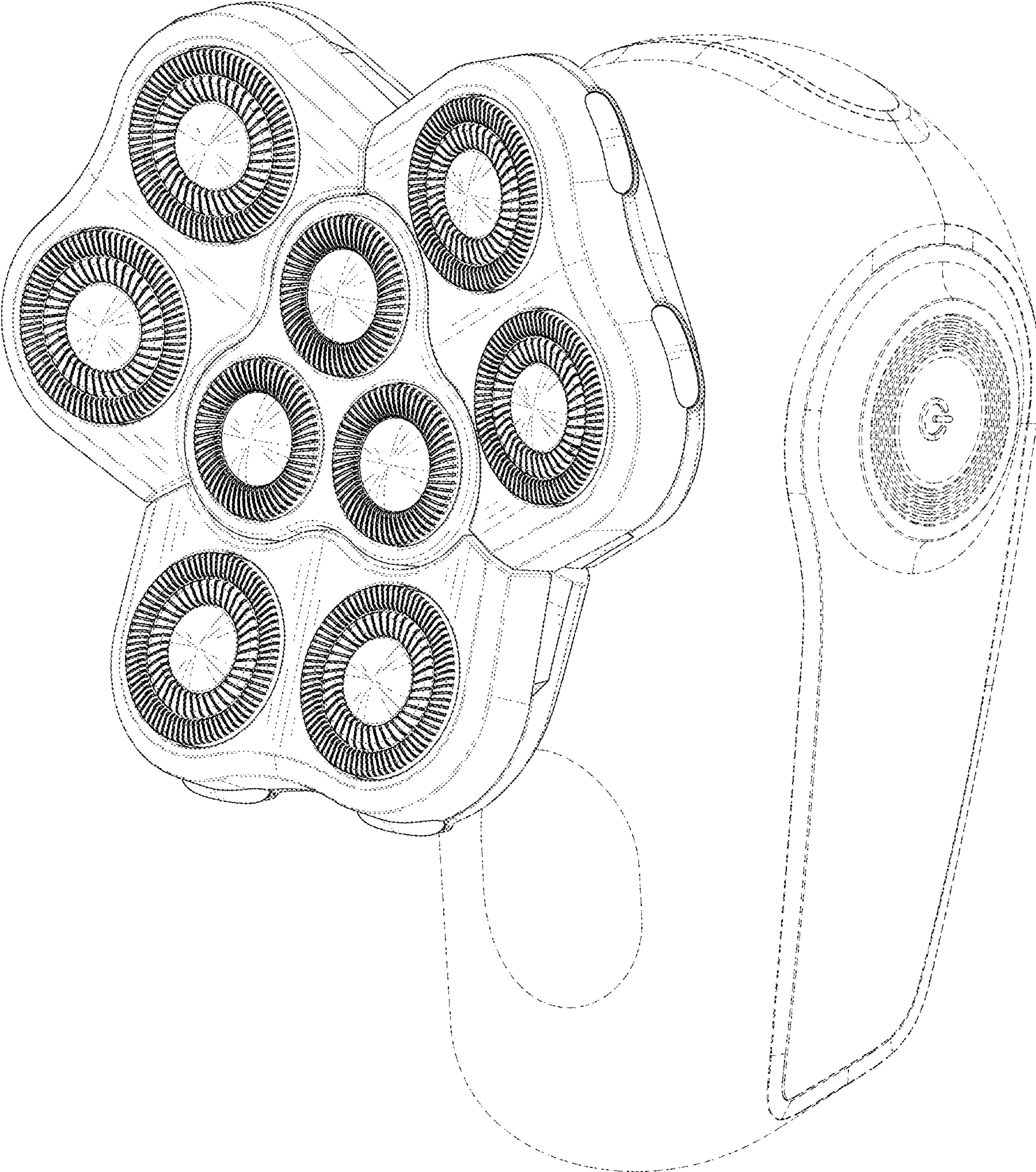


FIG. 1

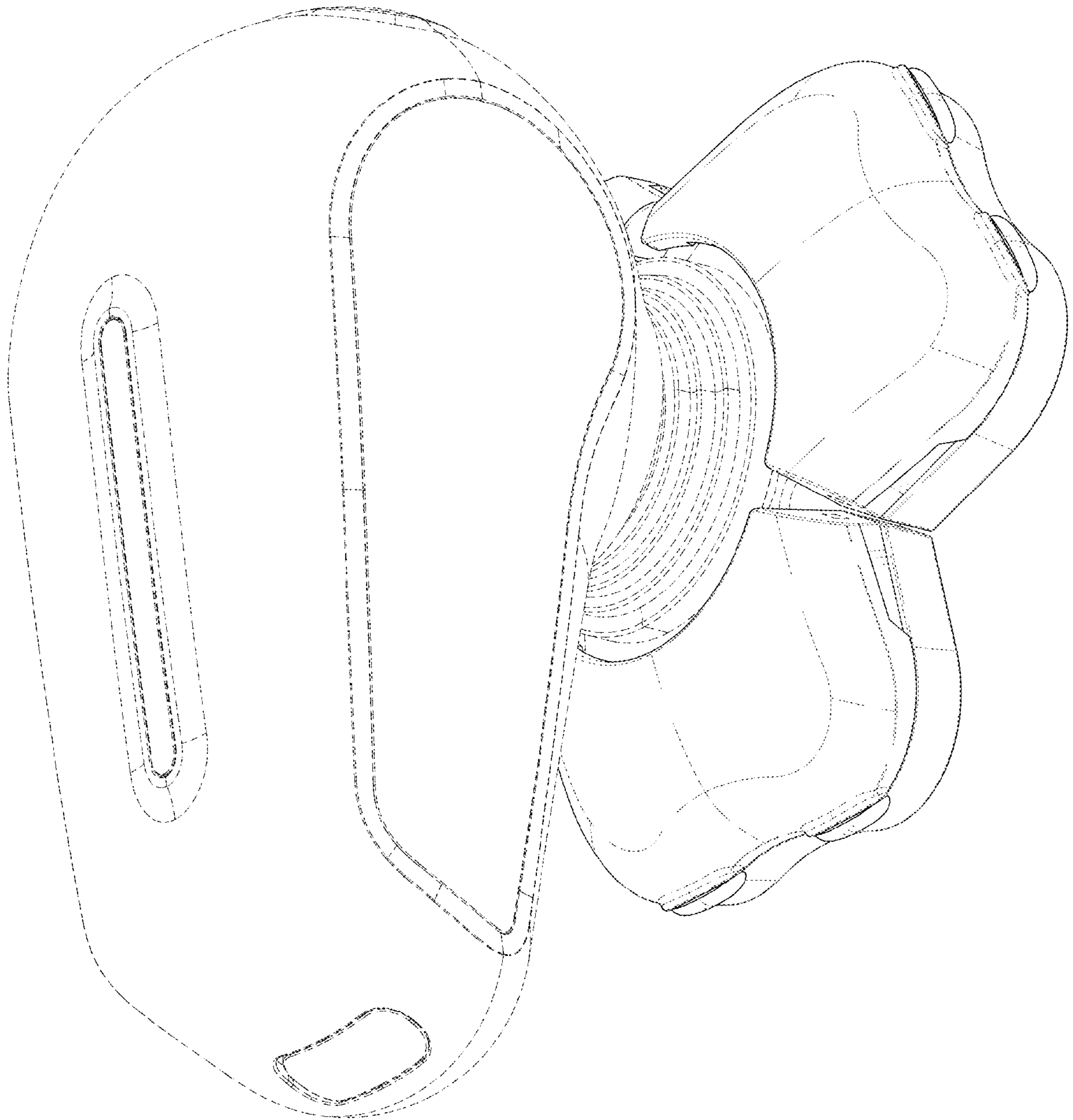


FIG. 2

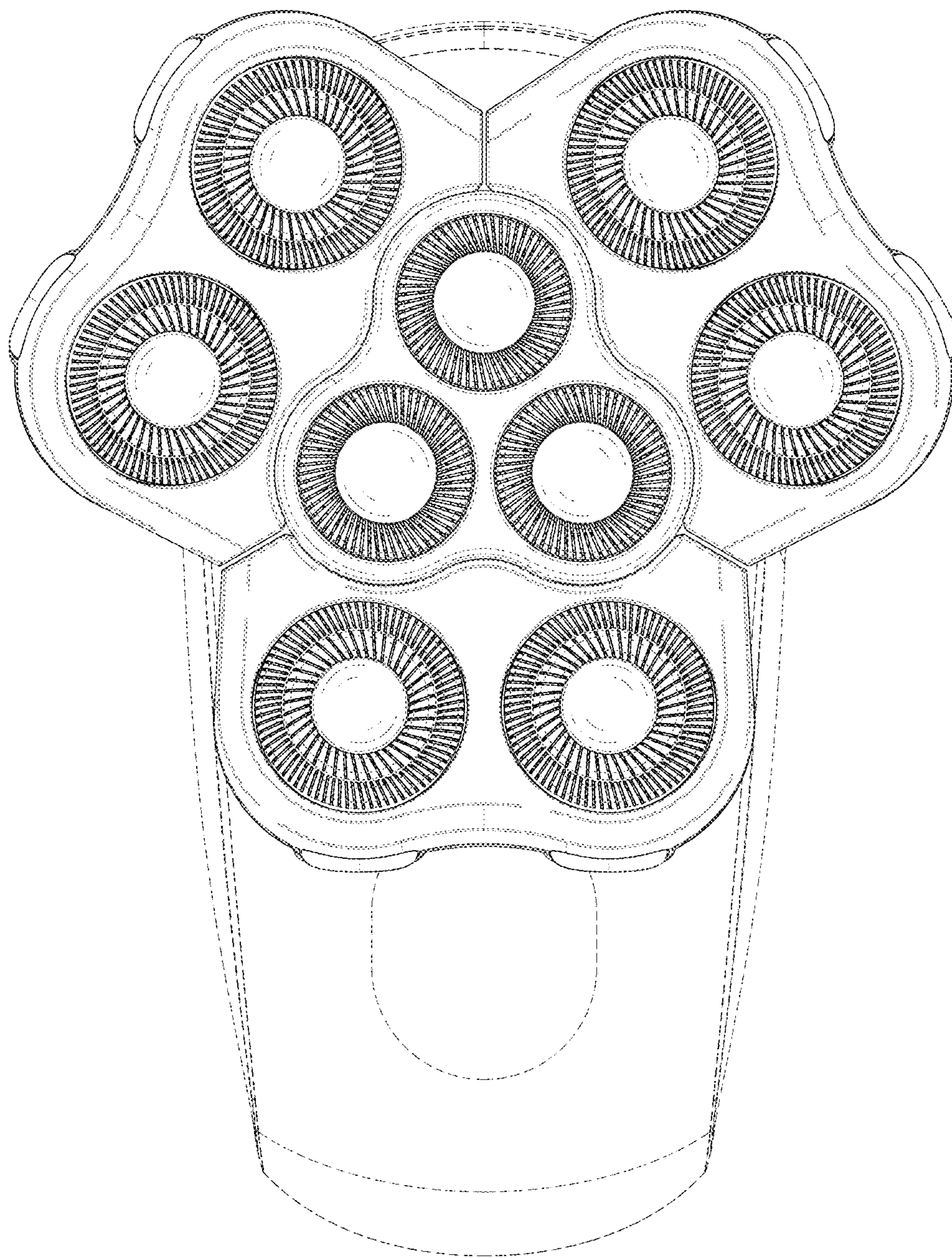


FIG. 3

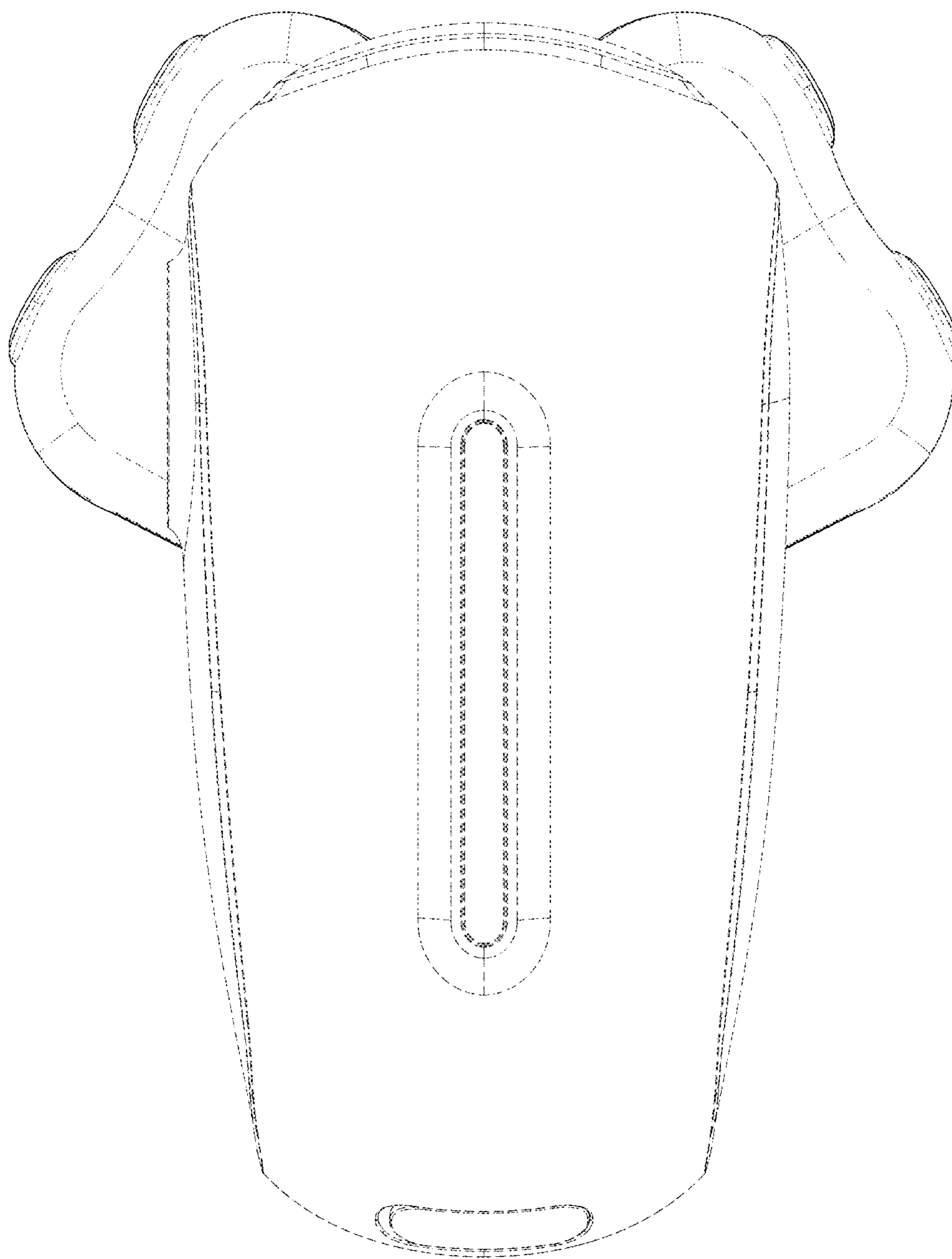


FIG. 4

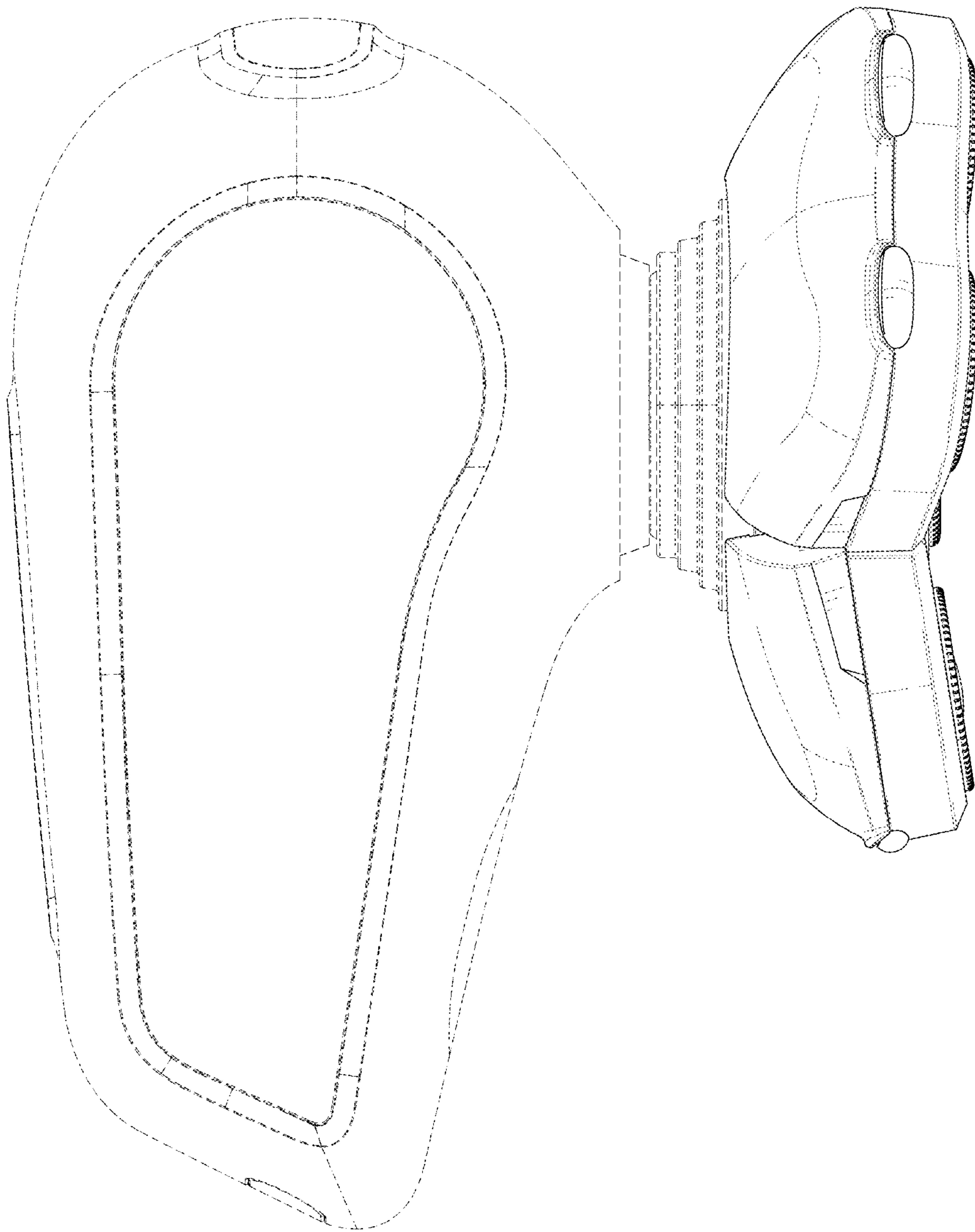


FIG. 5

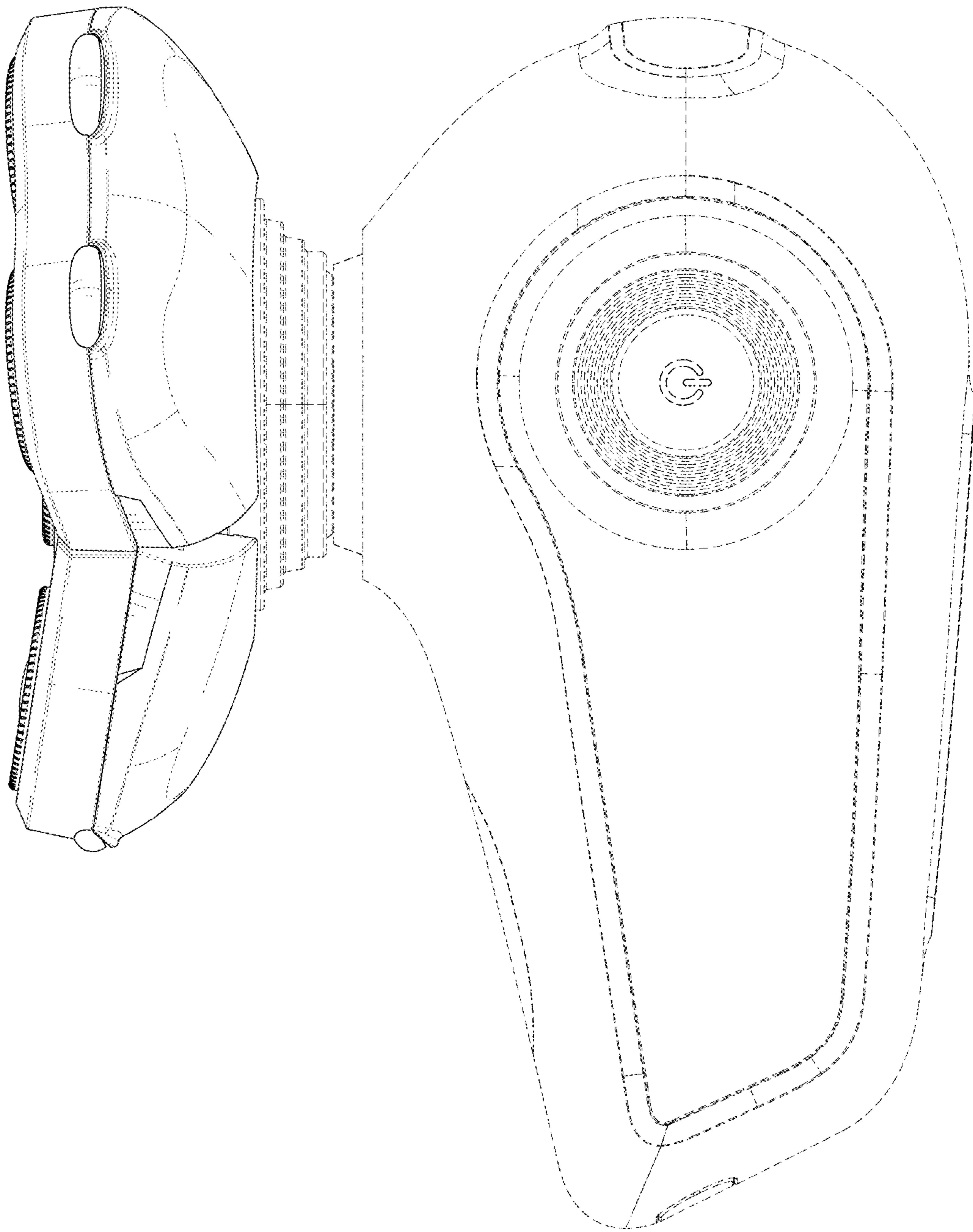


FIG. 6

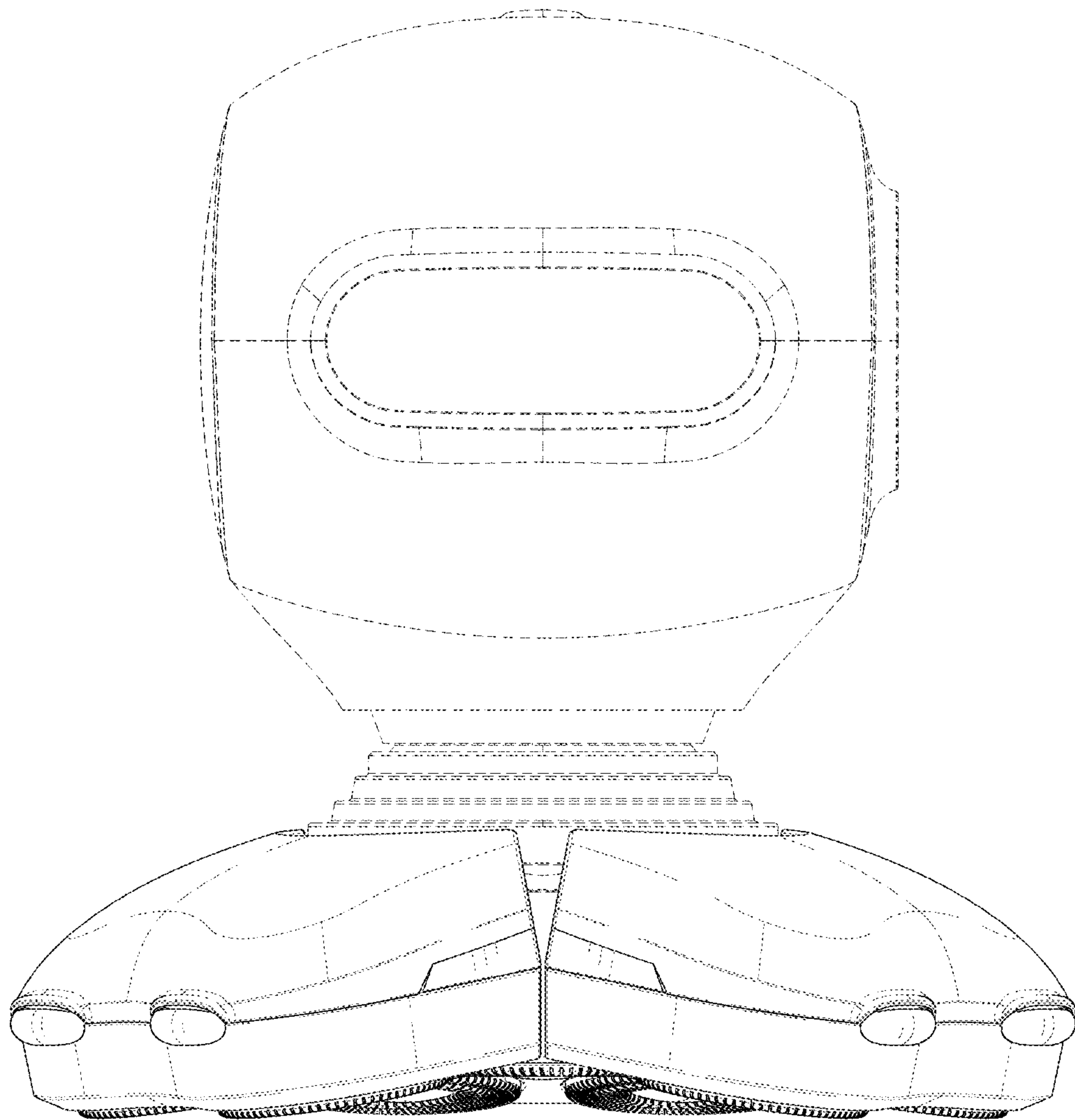


FIG. 7

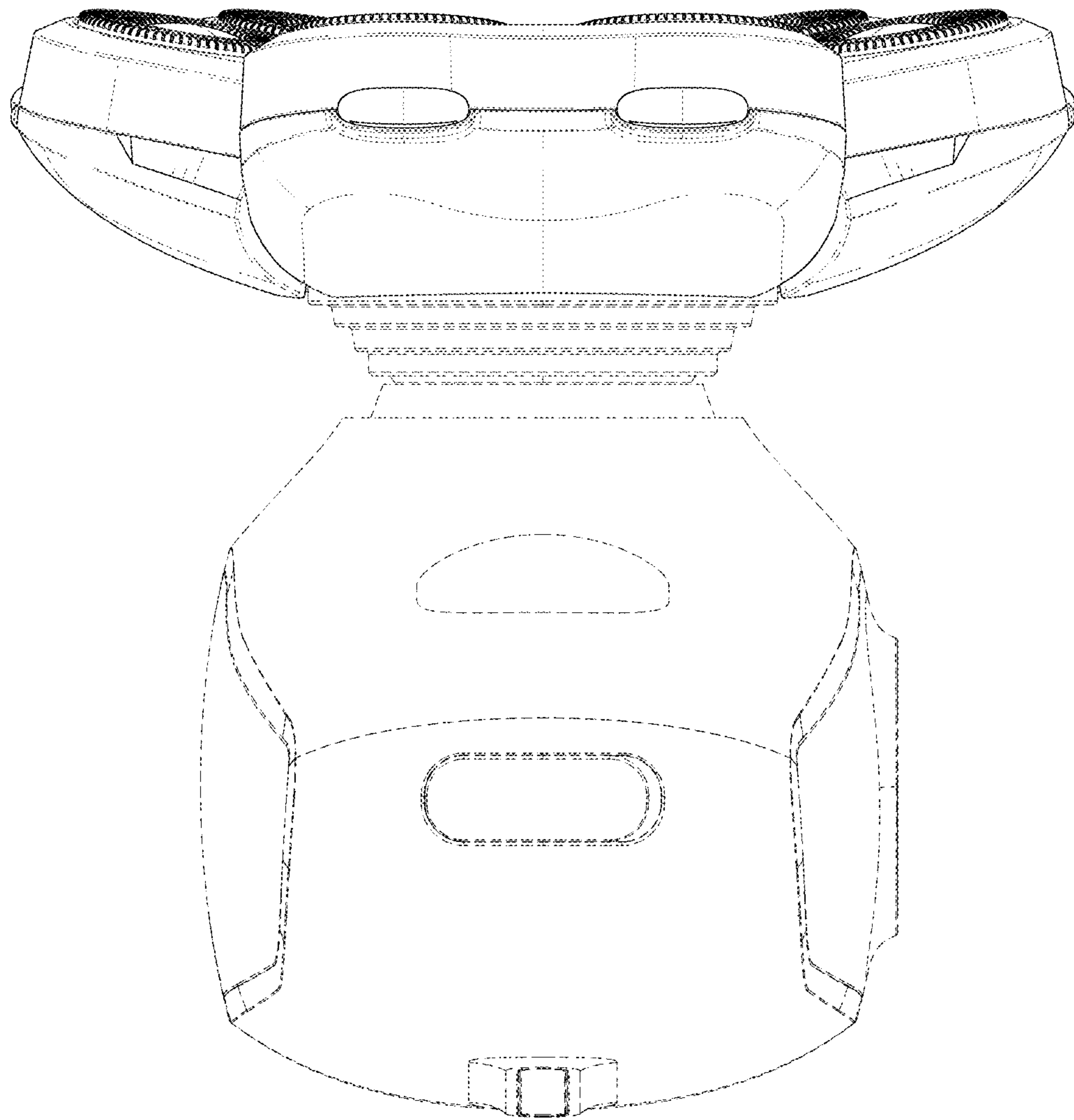


FIG. 8