



US00D972212S

(12) **United States Design Patent** (10) **Patent No.:** **US D972,212 S**
Lin (45) **Date of Patent:** **** Dec. 6, 2022**

(54) **RAZOR**
(71) Applicant: **Zhenrong Lin**, Guangdong (CN)
(72) Inventor: **Zhenrong Lin**, Guangdong (CN)
(**) Term: **15 Years**
(21) Appl. No.: **29/763,208**
(22) Filed: **Dec. 22, 2020**
(51) **LOC (13) Cl.** **28-03**
(52) **U.S. Cl.**
USPC **D28/46**
(58) **Field of Classification Search**
USPC D28/44-46, 49-54
CPC B26B 19/00; B26B 19/02; B26B 19/04;
B26B 19/06; B26B 19/10; B26B 19/12;
B26B 19/28; B26B 19/38; B26B 19/3853;
A45D 26/00; A45D 26/0023; A45D
26/0038
See application file for complete search history.

D791,409 S * 7/2017 Eagleton D28/48
D805,252 S * 12/2017 Newlin D28/48
D806,951 S * 1/2018 Micinilio D28/46
D806,952 S * 1/2018 Micinilio D28/48
D896,442 S * 9/2020 Manshoory B26B 21/52
D28/46
2011/0252646 A1* 10/2011 Gordon B26B 21/225
30/47
2013/0061481 A1* 3/2013 Cooney B26B 21/527
30/526
2014/0230257 A1* 8/2014 Eagleton B26B 21/521
30/526
2016/0151924 A1* 6/2016 Gers-Barlag B26B 21/522
30/526
2019/0104822 A1* 4/2019 Martinez A45D 26/0076
* cited by examiner

Primary Examiner — Alison M Ofstun

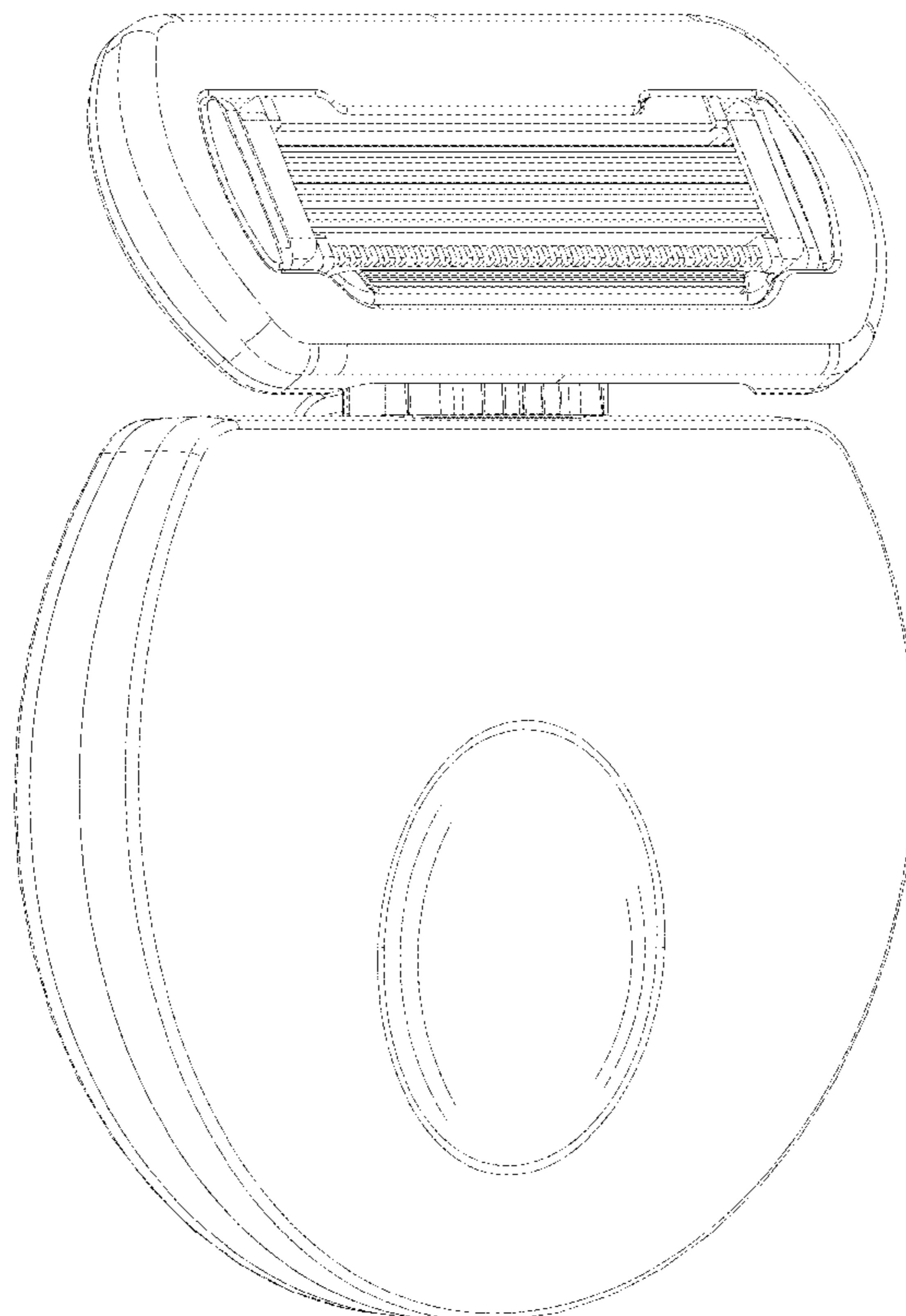
(57) **CLAIM**
The ornamental design for a razor, as shown.

DESCRIPTION

FIG. 1 is a front elevational view of a razor showing my new design;
FIG. 2 is a rear elevational view thereof;
FIG. 3 is a left side view thereof;
FIG. 4 is a right side view thereof;
FIG. 5 is a top plan view thereof;
FIG. 6 is a bottom plan view thereof;
FIG. 7 is a perspective view thereof; and,
FIG. 8 is another perspective view thereof.

1 Claim, 7 Drawing Sheets

(56) **References Cited**
U.S. PATENT DOCUMENTS
D250,664 S * 12/1978 Kruger D28/46
D351,925 S * 10/1994 Meisner D28/48
D403,112 S * 12/1998 Engel D28/46
D506,034 S * 6/2005 Cornelissen D28/46
D710,542 S * 8/2014 Eagleton D28/48
D744,164 S * 11/2015 Manshoory D28/46
D747,550 S * 1/2016 Eagleton D28/48
9,630,333 B2* 4/2017 Manshoory B26B 21/446



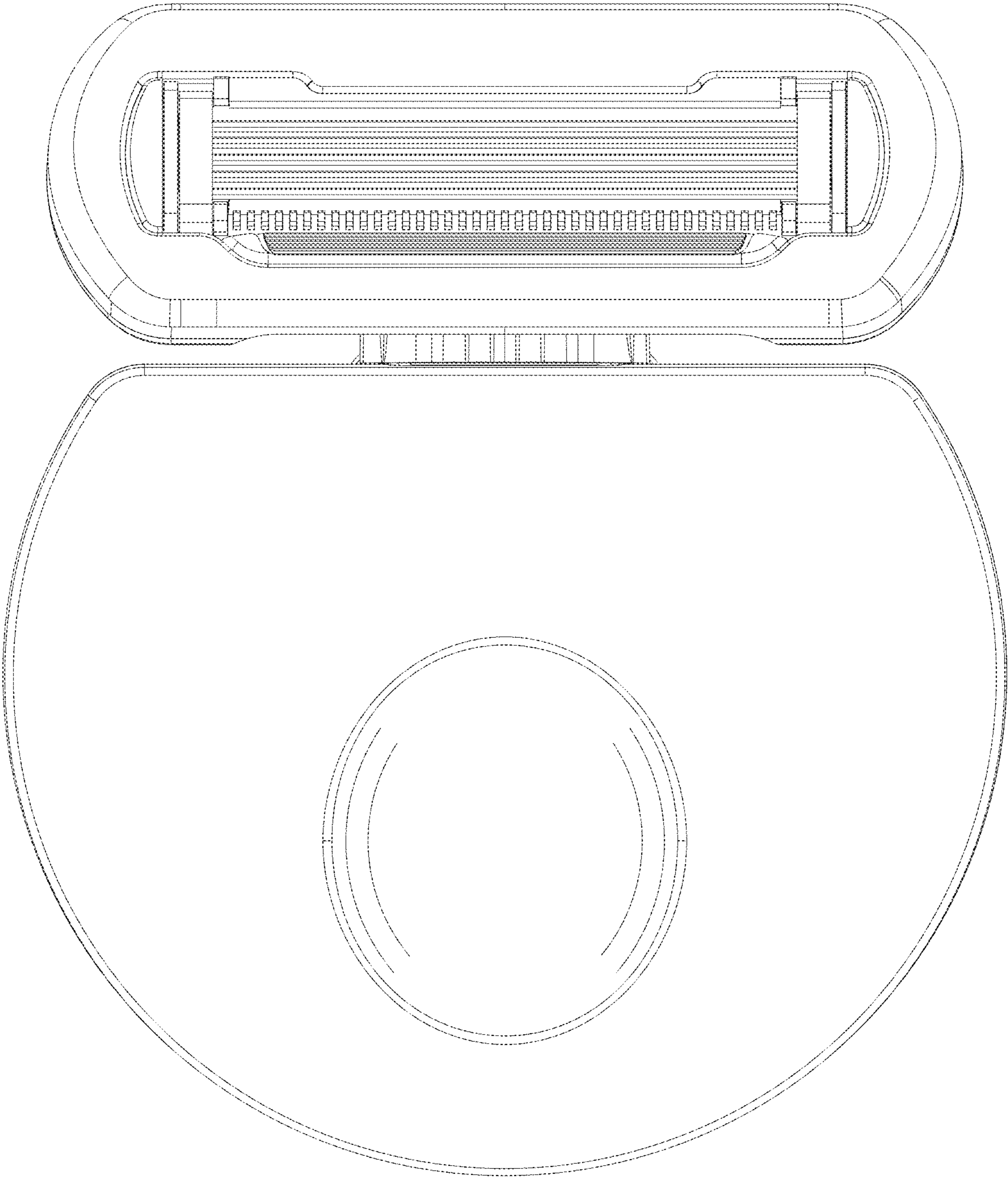


FIG. 1

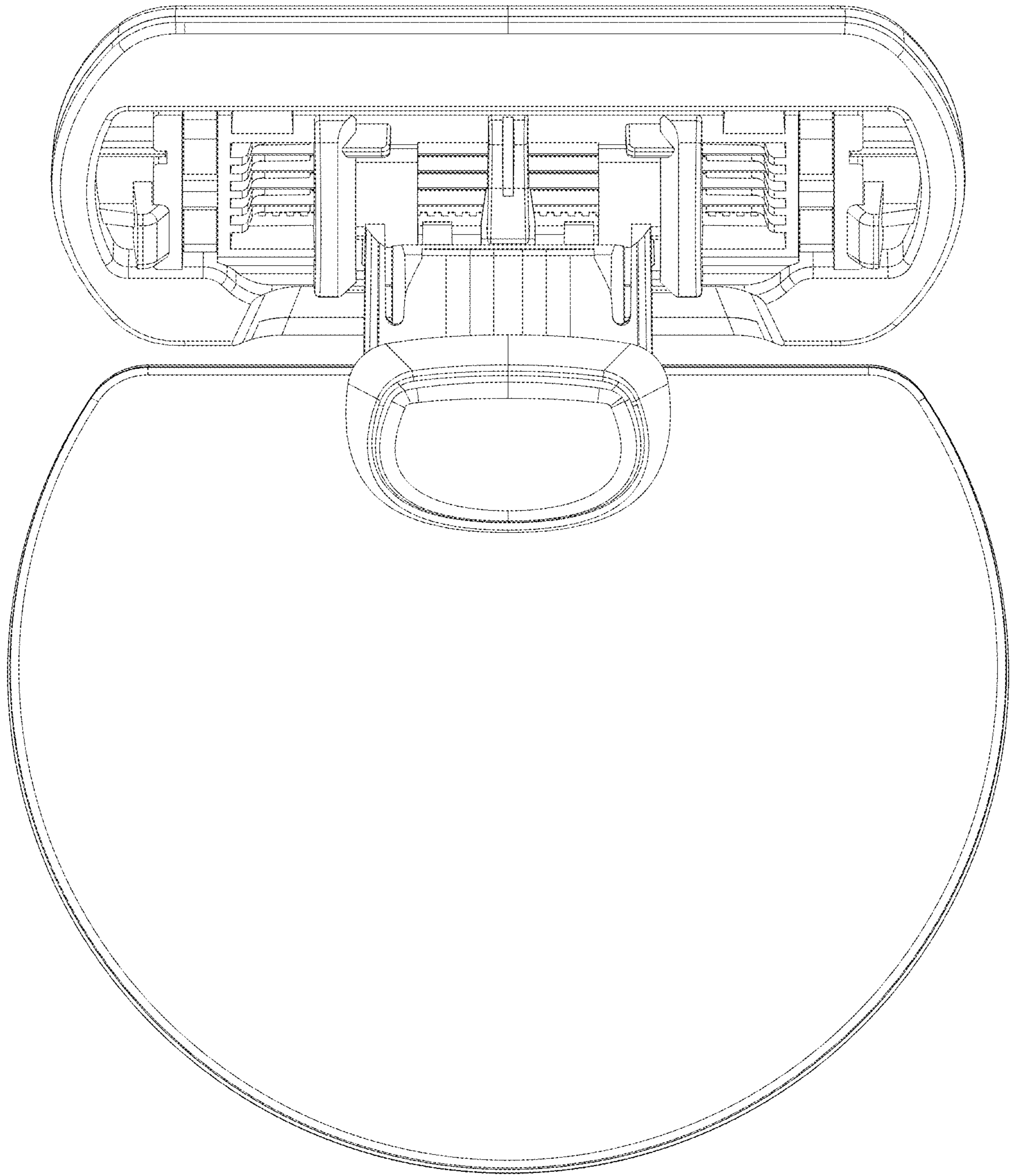


FIG. 2

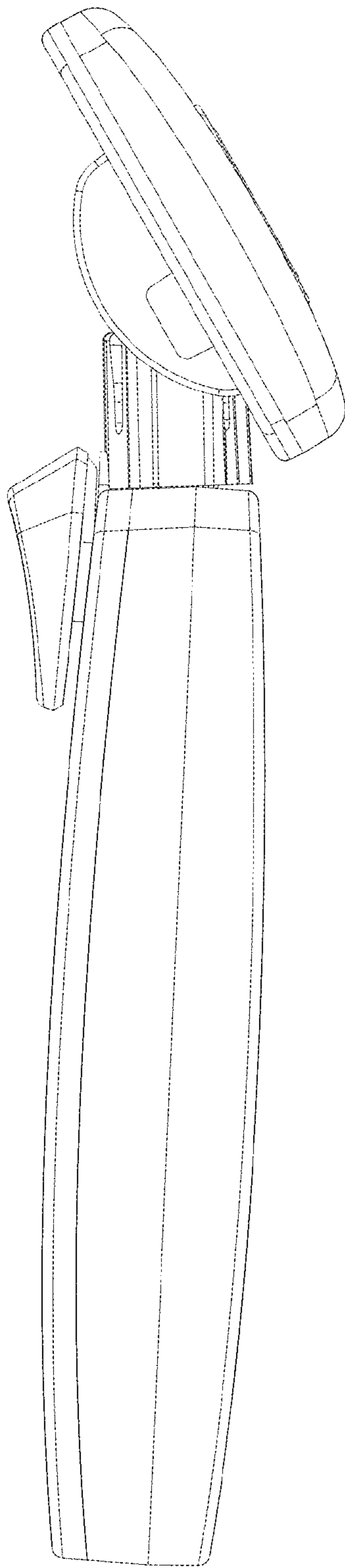


FIG. 3

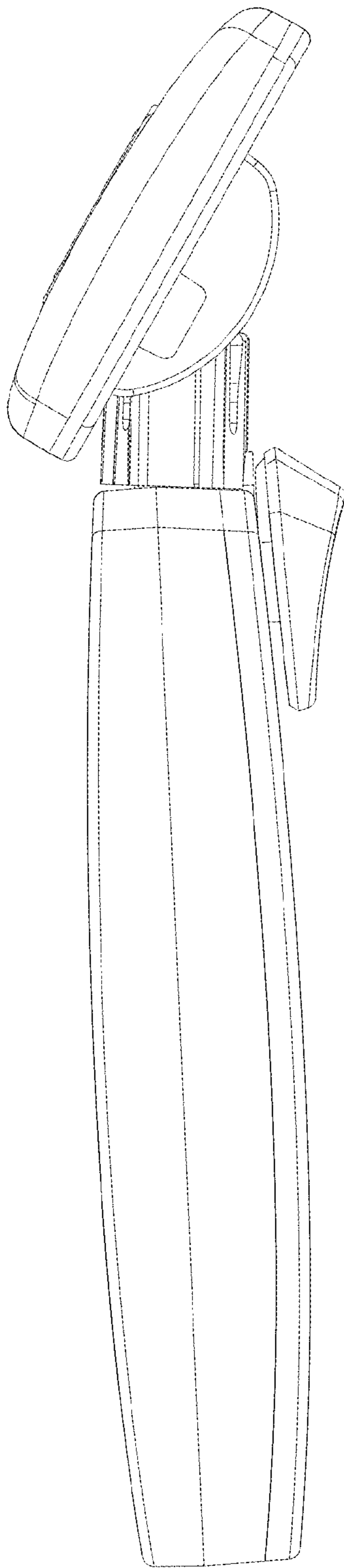


FIG. 4

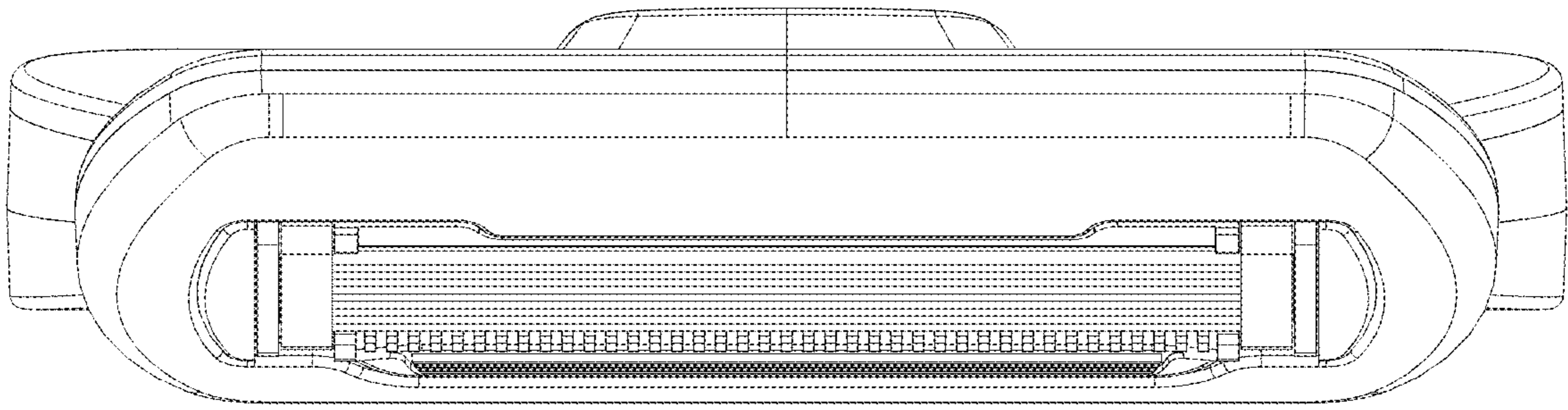


FIG. 5

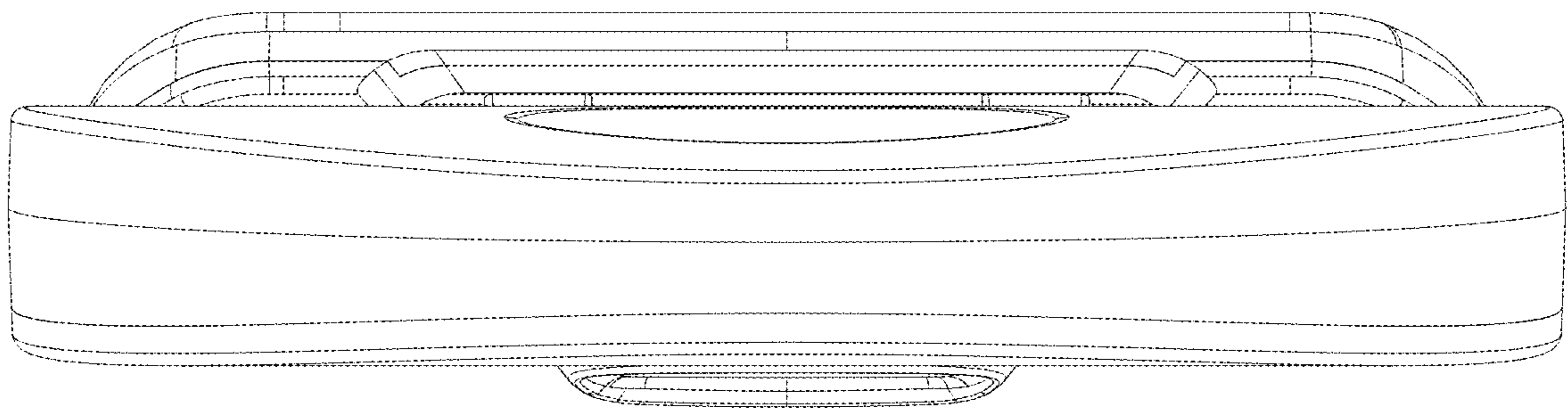


FIG. 6

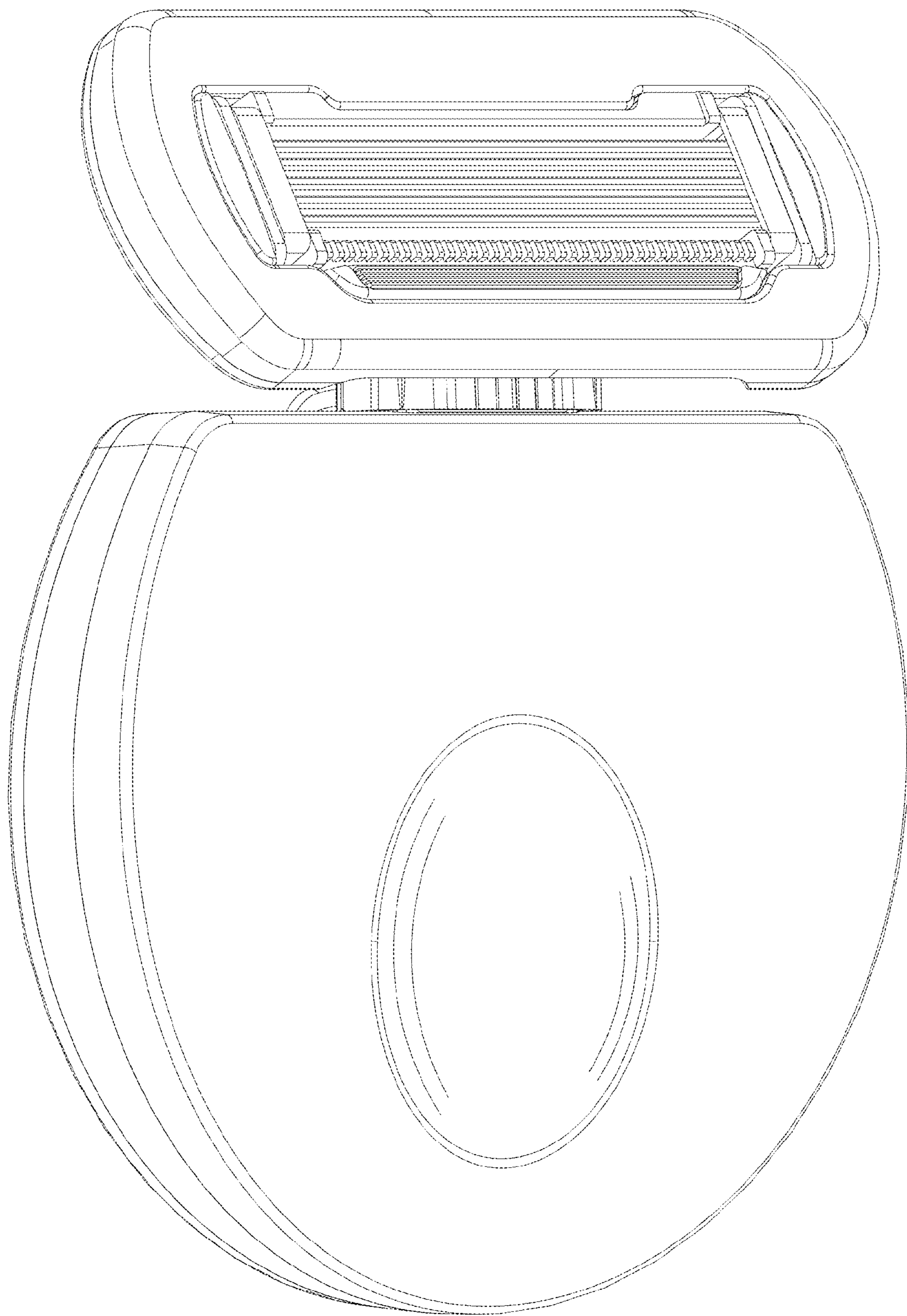


FIG. 7

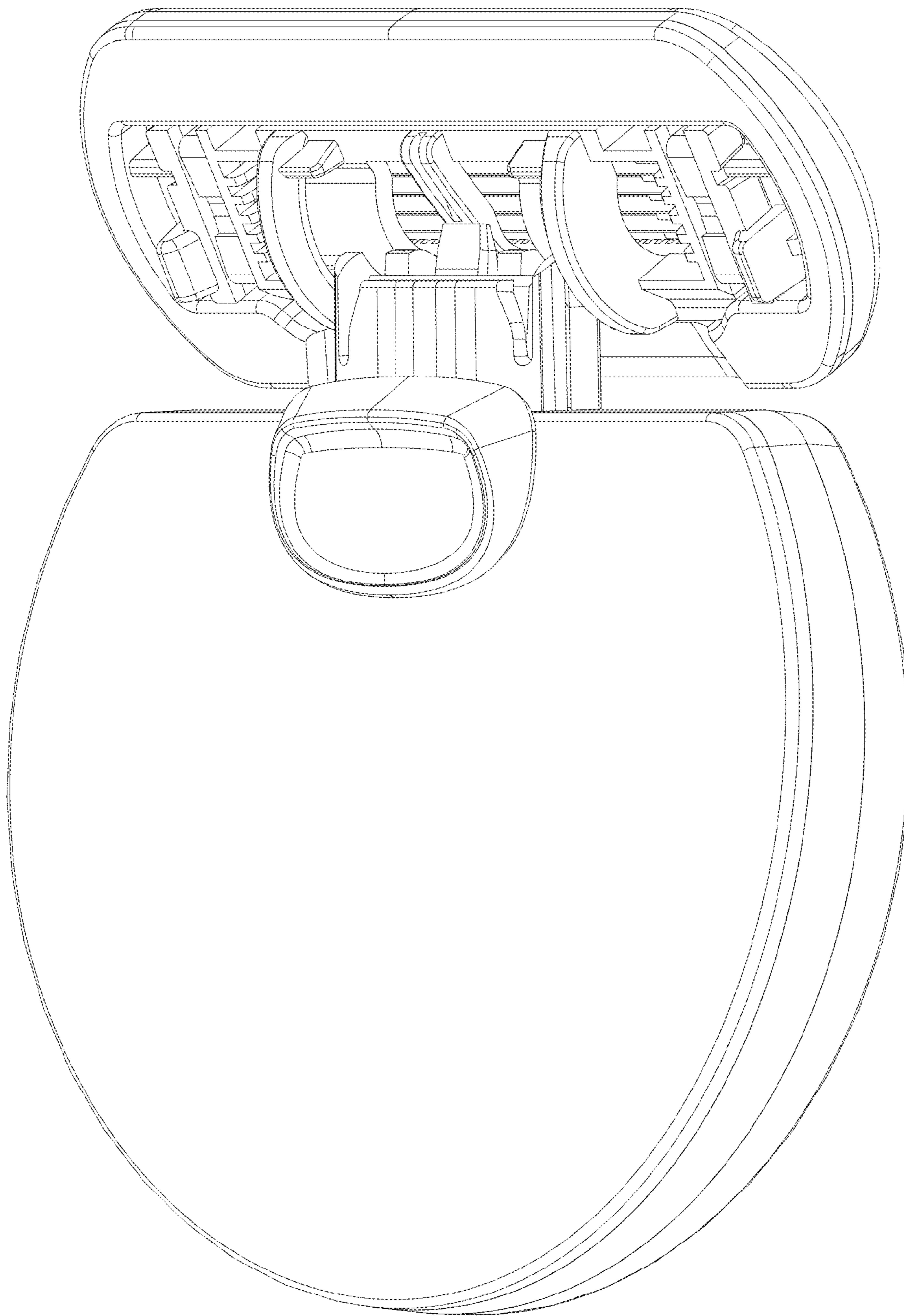


FIG. 8