



US00D972205S

(12) **United States Design Patent** (10) **Patent No.:** **US D972,205 S**  
**Chong et al.** (45) **Date of Patent:** **\*\* Dec. 6, 2022**

- (54) **STORAGE CASE**
- (71) Applicant: **FUEMZ CORPORTATION**, North York (CA)
- (72) Inventors: **Alan Chong**, North York (CA); **Heng Chang Wu**, North York (CA)
- (73) Assignee: **Fuemz Corpotation**
- (\*\*) Term: **15 Years**
- (21) Appl. No.: **29/694,386**
- (22) Filed: **Jun. 10, 2019**
- (30) **Foreign Application Priority Data**  
Dec. 10, 2018 (CA) ..... CA 185157
- (51) **LOC (13) Cl.** ..... **27-06**
- (52) **U.S. Cl.**  
USPC ..... **D27/187**
- (58) **Field of Classification Search**  
USPC ..... D27/187, 189, 186, 183, 172, 174, 175, D27/194; D3/201, 207, 208, 212, 304; D9/432, 417, 420, 517, 529  
CPC ..... B65D 85/1045; B65D 85/1048; B65D 85/1056; B65D 85/10564; B65D 85/08; B65D 85/10; B65D 85/12; B65D 85/1009; B65D 85/1108; B65D 85/1036; B65D 81/02; B65D 81/022; B65D 81/025; B65D 81/133  
See application file for complete search history.

- (56) **References Cited**  
**U.S. PATENT DOCUMENTS**  
5,277,304 A \* 1/1994 Brizzi ..... B65D 85/1045 206/256  
D363,568 S \* 10/1995 Ghrawi ..... D27/187  
6,334,532 B1 \* 1/2002 Tambo ..... B65D 85/1048 206/268

- D554,287 S \* 10/2007 Sugiharto ..... D27/187
- D596,348 S \* 7/2009 Buse ..... D27/189
- D645,251 S \* 9/2011 Lee ..... D3/301
- D677,000 S \* 2/2013 Liu ..... D27/189
- D683,899 S \* 6/2013 Liu ..... D27/189
- D719,701 S \* 12/2014 Scatterday ..... D27/189
- D812,290 S \* 3/2018 Ward ..... D27/172
- D850,713 S \* 6/2019 Northern ..... D27/175
- 10,486,893 B2 \* 11/2019 Snyder ..... B65D 85/1081
- D888,408 S \* 6/2020 Lee ..... D3/201

(Continued)

*Primary Examiner* — Rebecca Tsehaye  
(74) *Attorney, Agent, or Firm* — Timothy T. Wang; Ni, Wang & Massand, PLLC

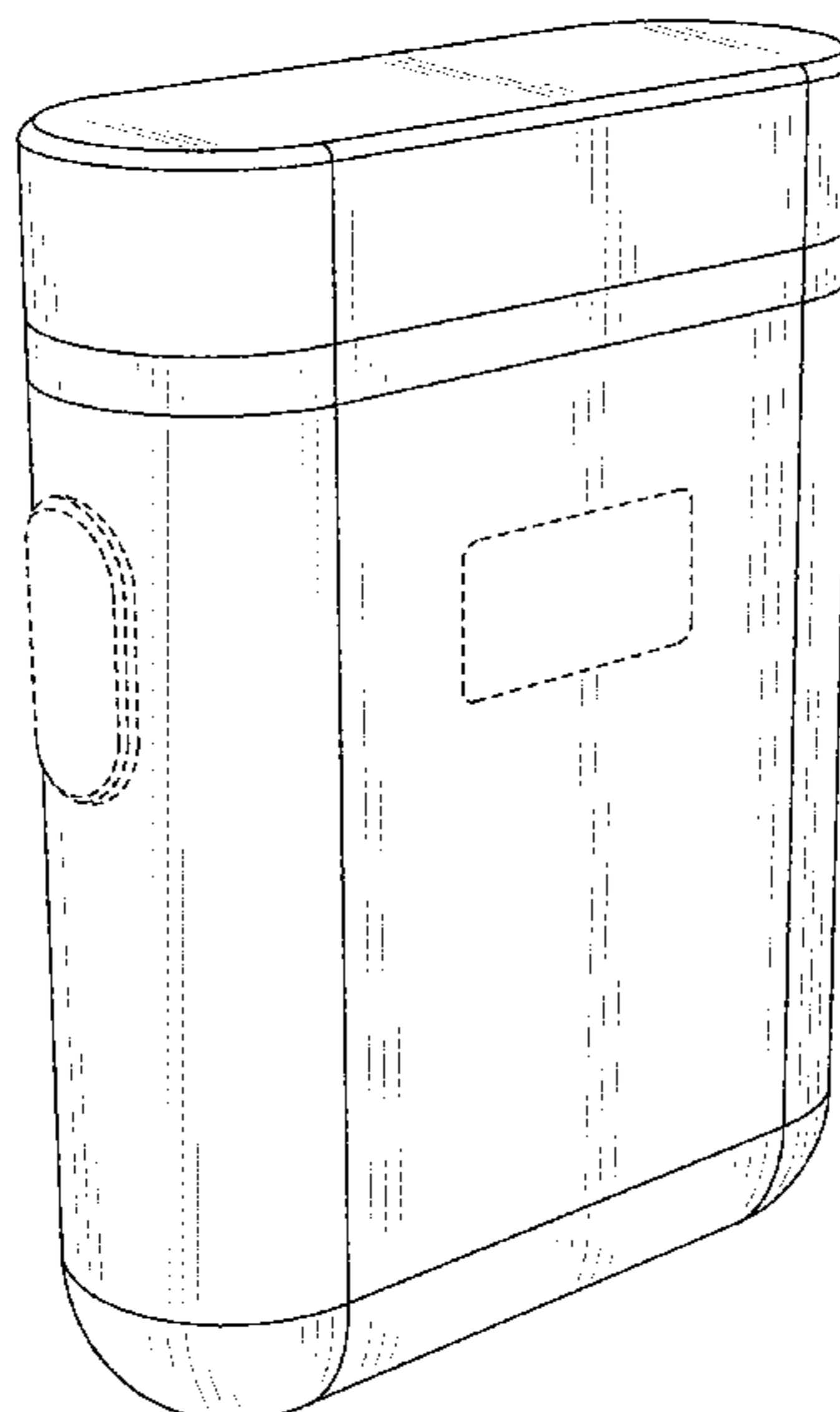
(57) **CLAIM**

The ornamental design for a storage case, as shown and described.

**DESCRIPTION**

FIG. 1 is a front left perspective view of a storage case showing our new design;  
FIG. 2 is a front right perspective view thereof;  
FIG. 3 is a front left perspective view thereof with the lid in an open position;  
FIG. 4 is a front right perspective view thereof with the lid in an open position;  
FIG. 5 is a back perspective view thereof;  
FIG. 6 is a back perspective view thereof with the lid in art open position;  
FIG. 7 is a front view thereof;  
FIG. 8 is a back view thereof;  
FIG. 9 is a left side view thereof;  
FIG. 10 is a right side view thereof;  
FIG. 11 is a right side view thereof with the lid in an open position;  
FIG. 12 a top view thereof; and,  
FIG. 13 is a bottom view thereof.  
The broken lines in the drawings depict part of the storage case that form no part of the claimed design.

**1 Claim, 11 Drawing Sheets**



(56)

**References Cited**

U.S. PATENT DOCUMENTS

D906,299 S \* 12/2020 Luo ..... D14/223  
10,865,038 B2 \* 12/2020 Huhtasalo ..... B65D 85/1045  
D911,181 S \* 2/2021 Lee ..... D9/529  
10,954,062 B2 \* 3/2021 Collins ..... B65D 5/6608

\* cited by examiner

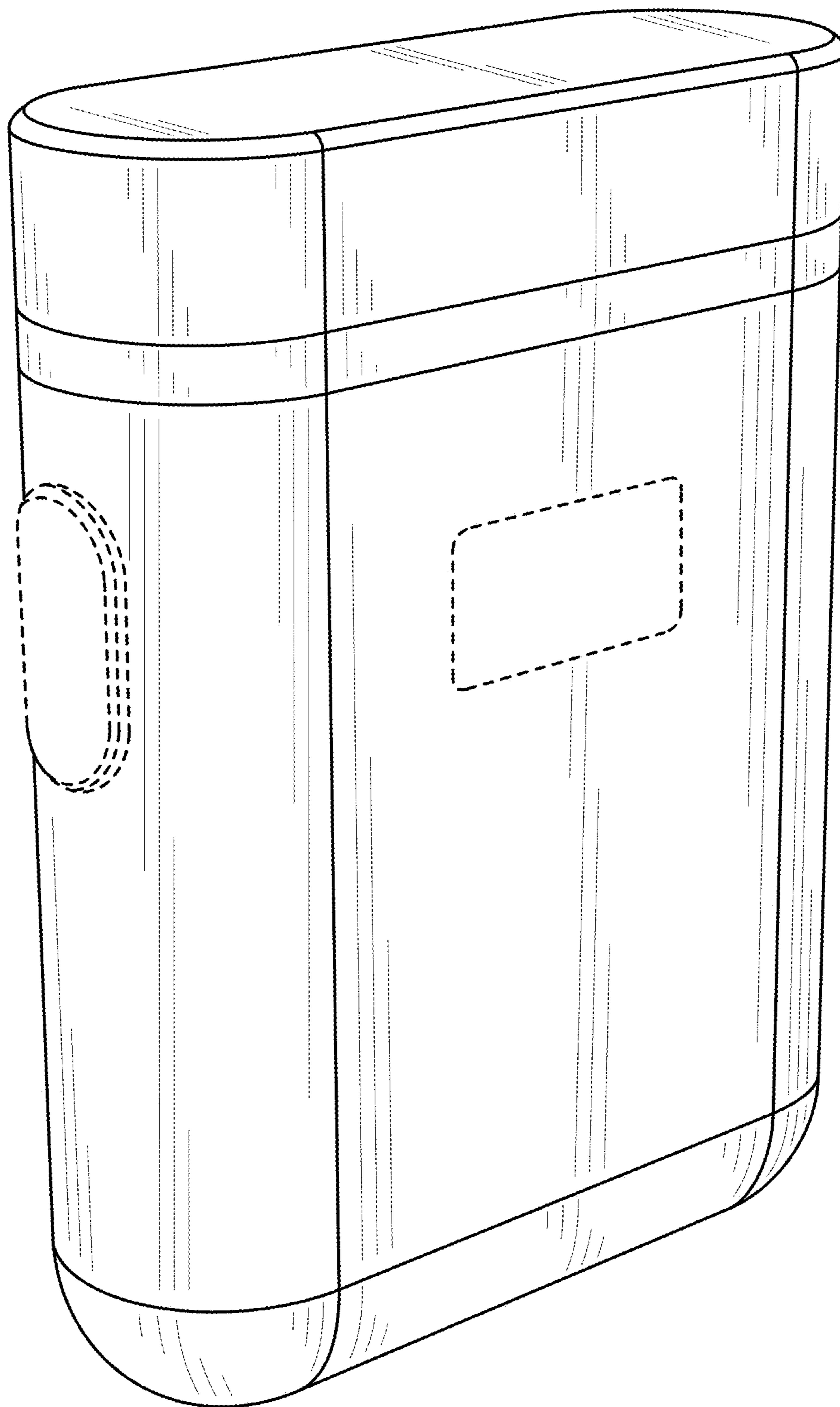


FIG. 1

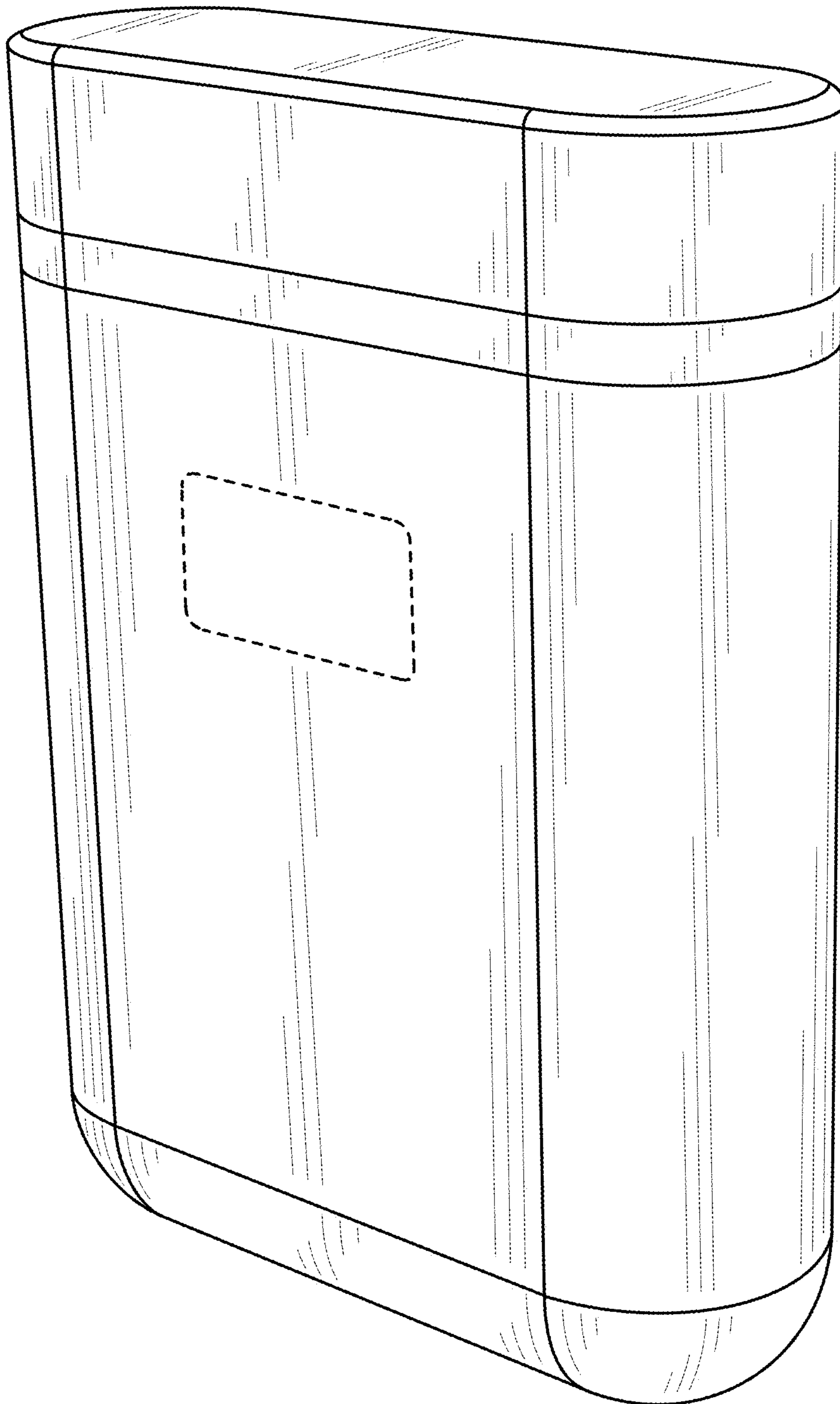


FIG. 2

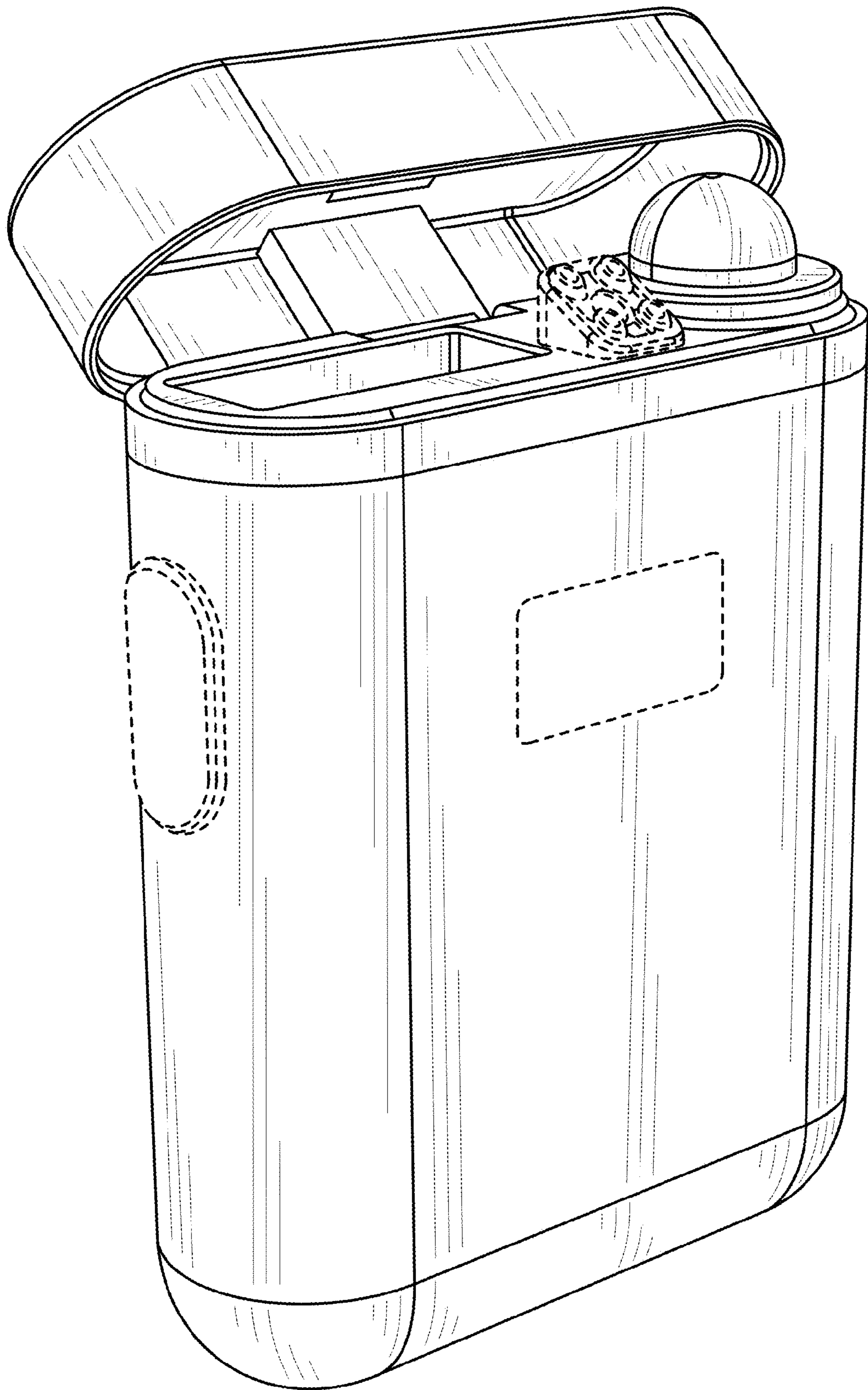


FIG. 3

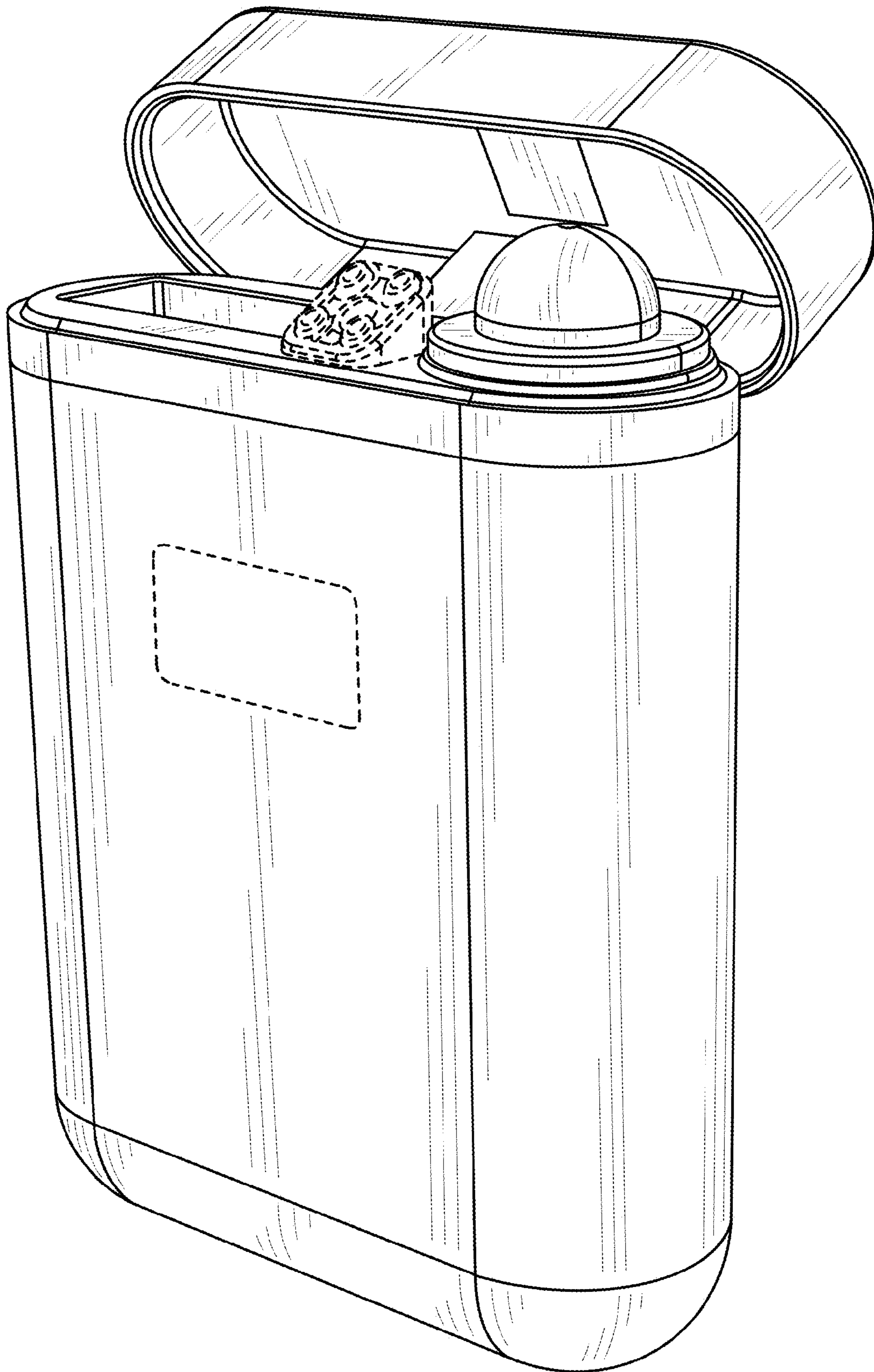


FIG. 4

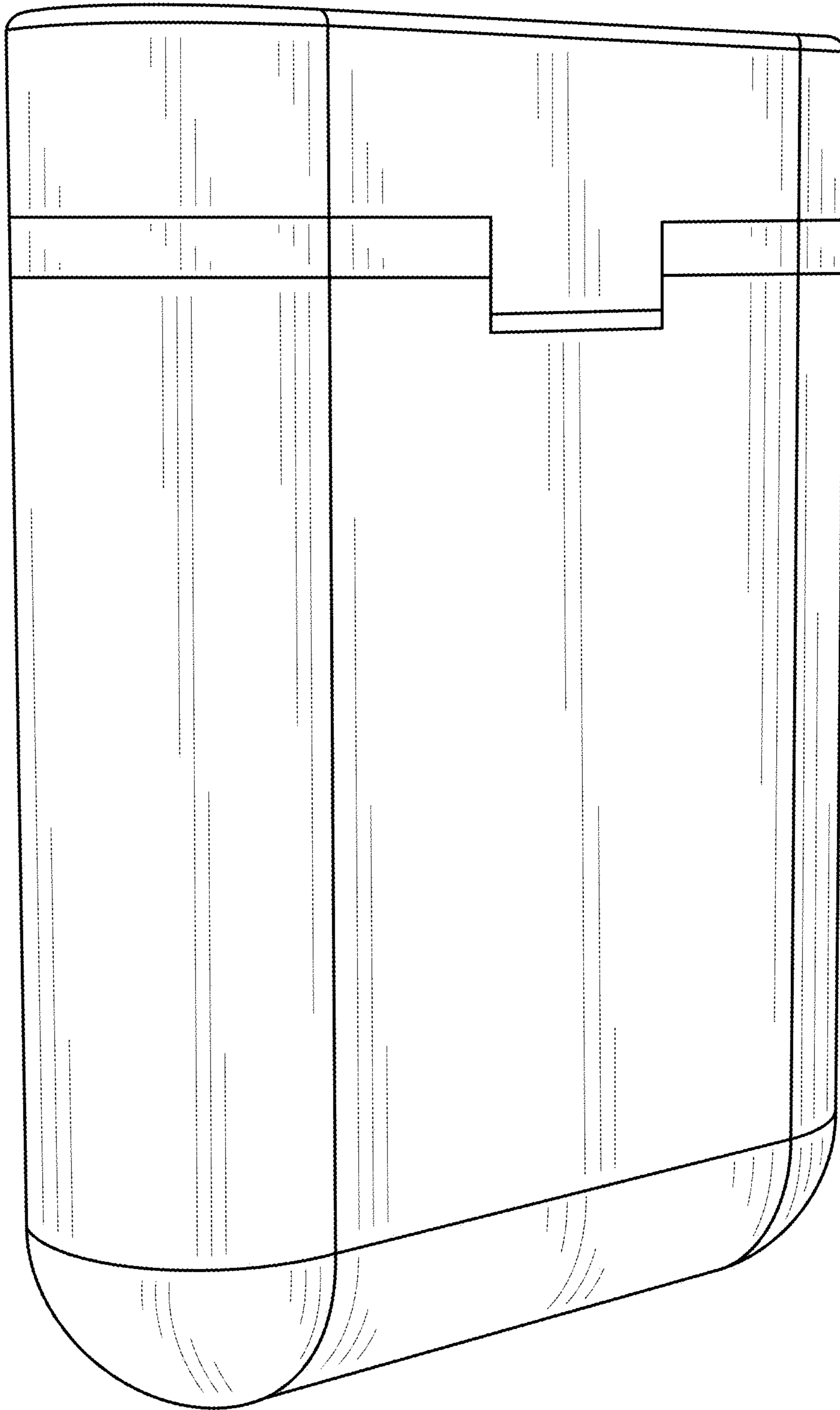


FIG. 5

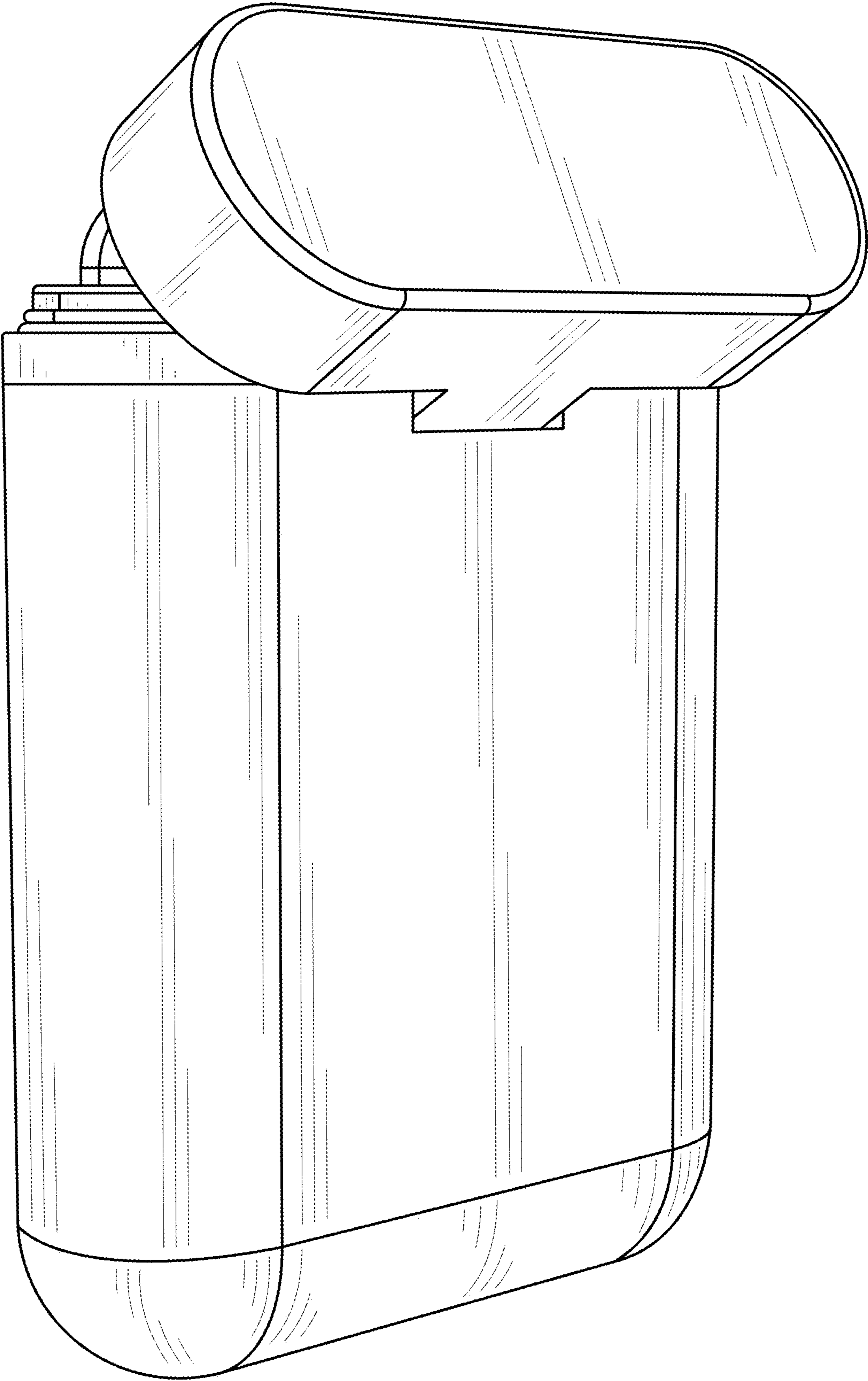


FIG. 6



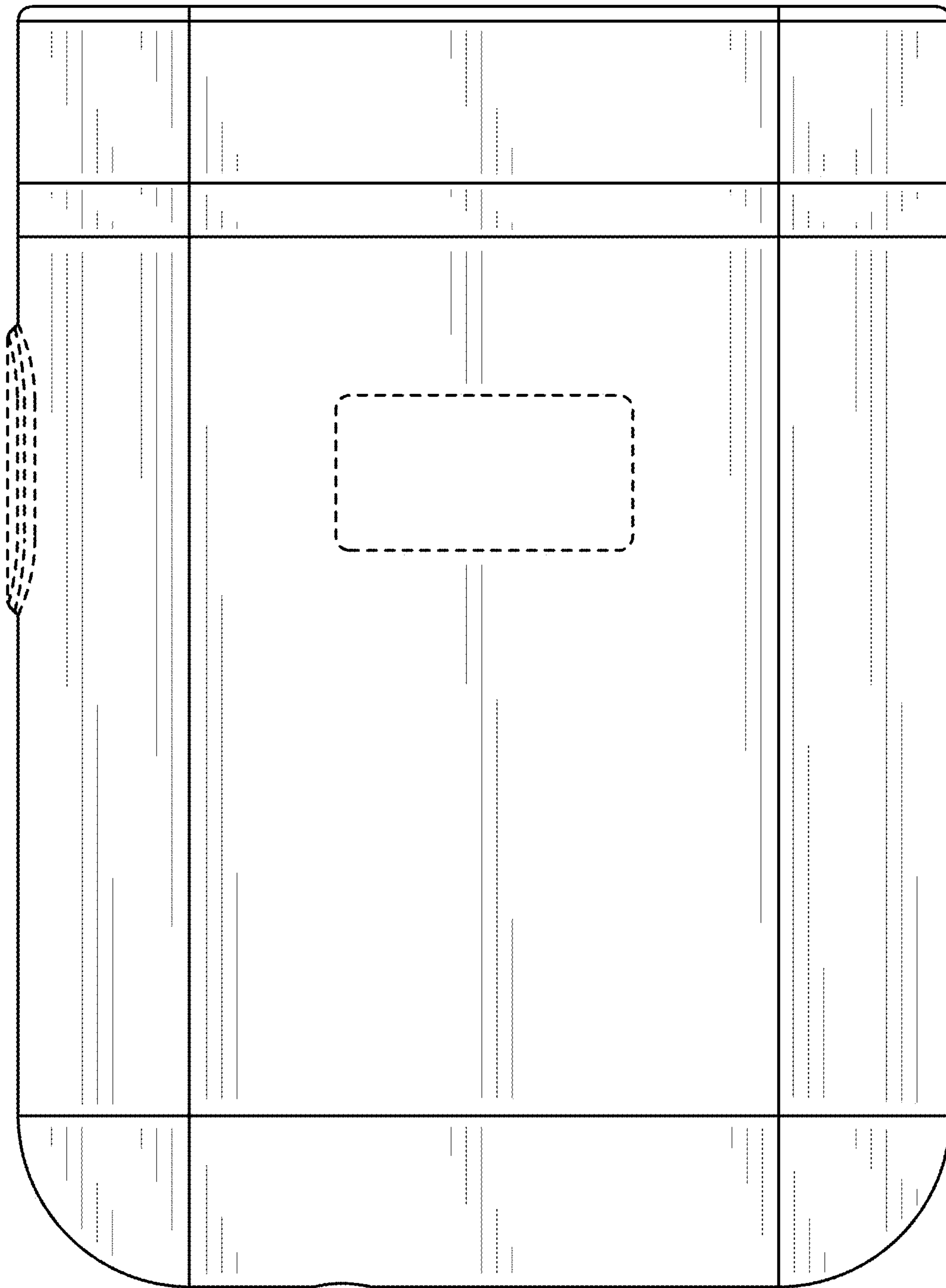


FIG. 7

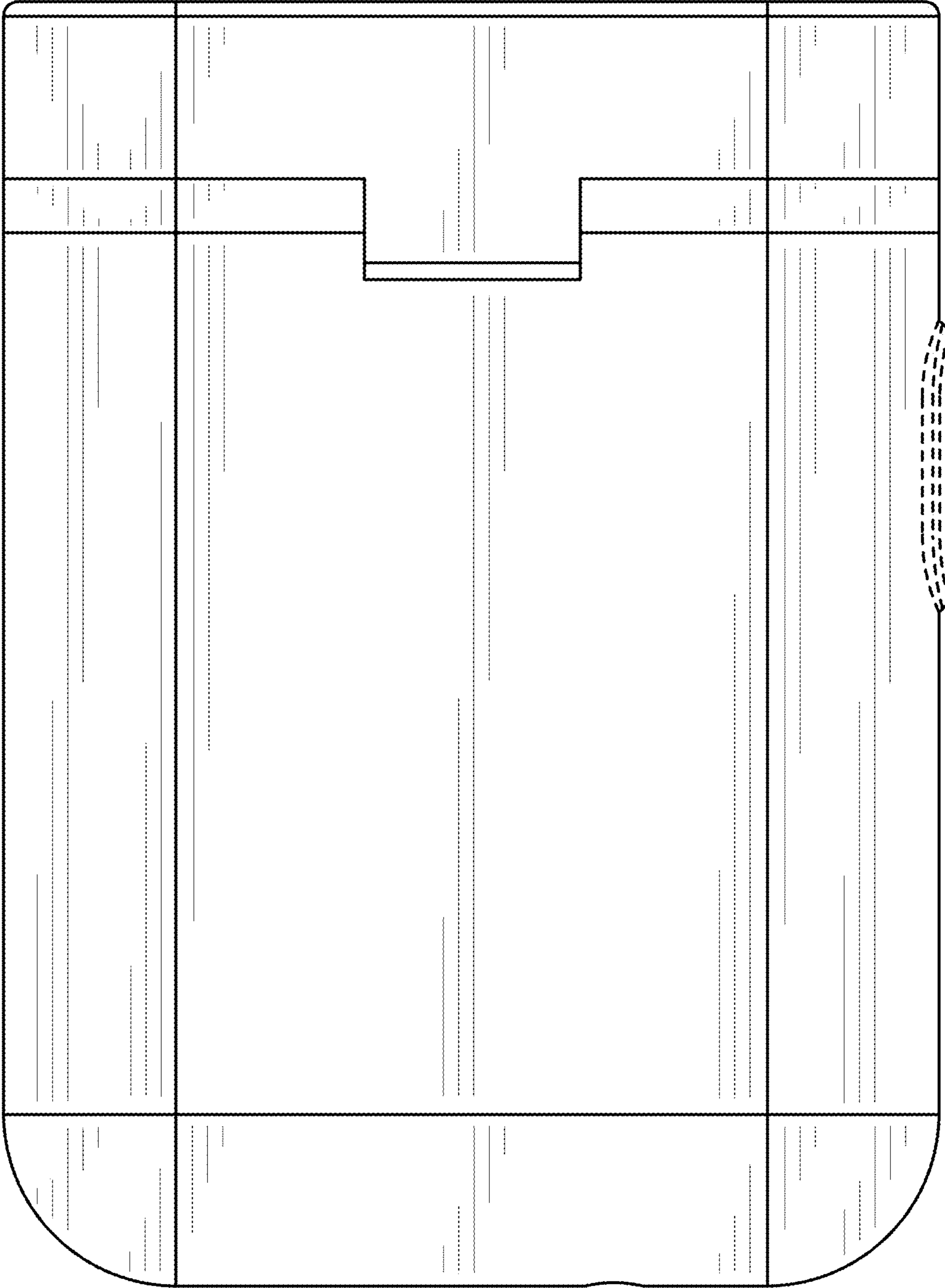


FIG. 8

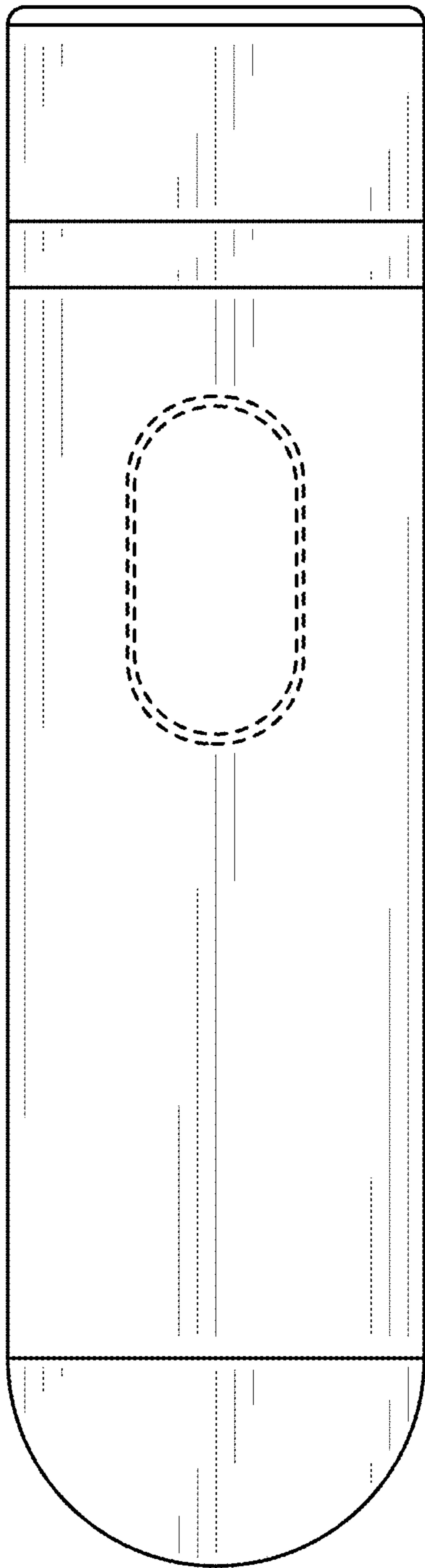


FIG. 9

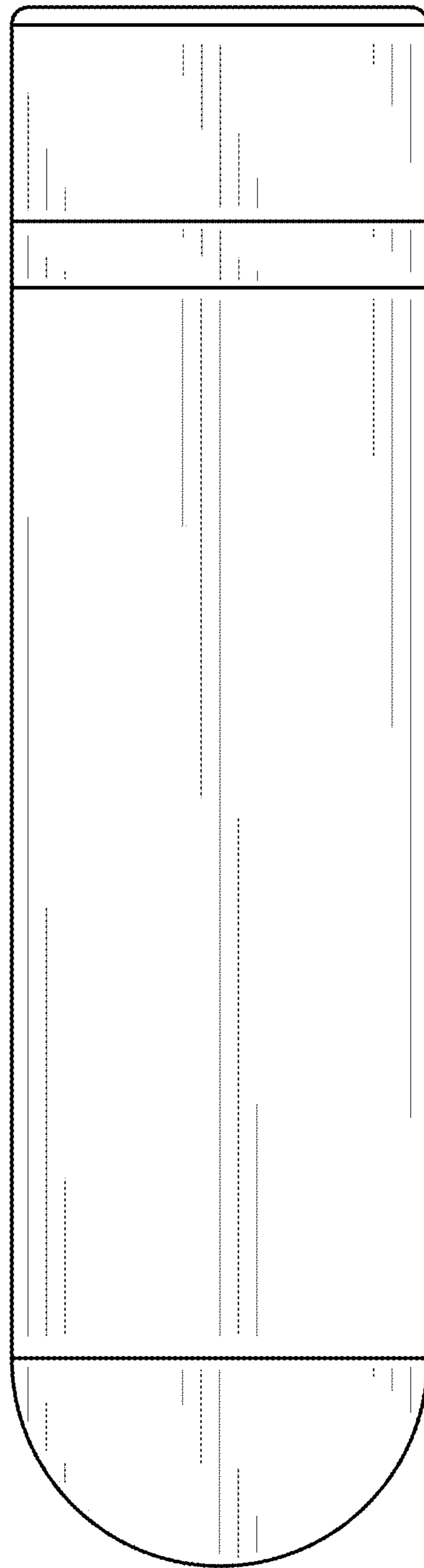


FIG. 10

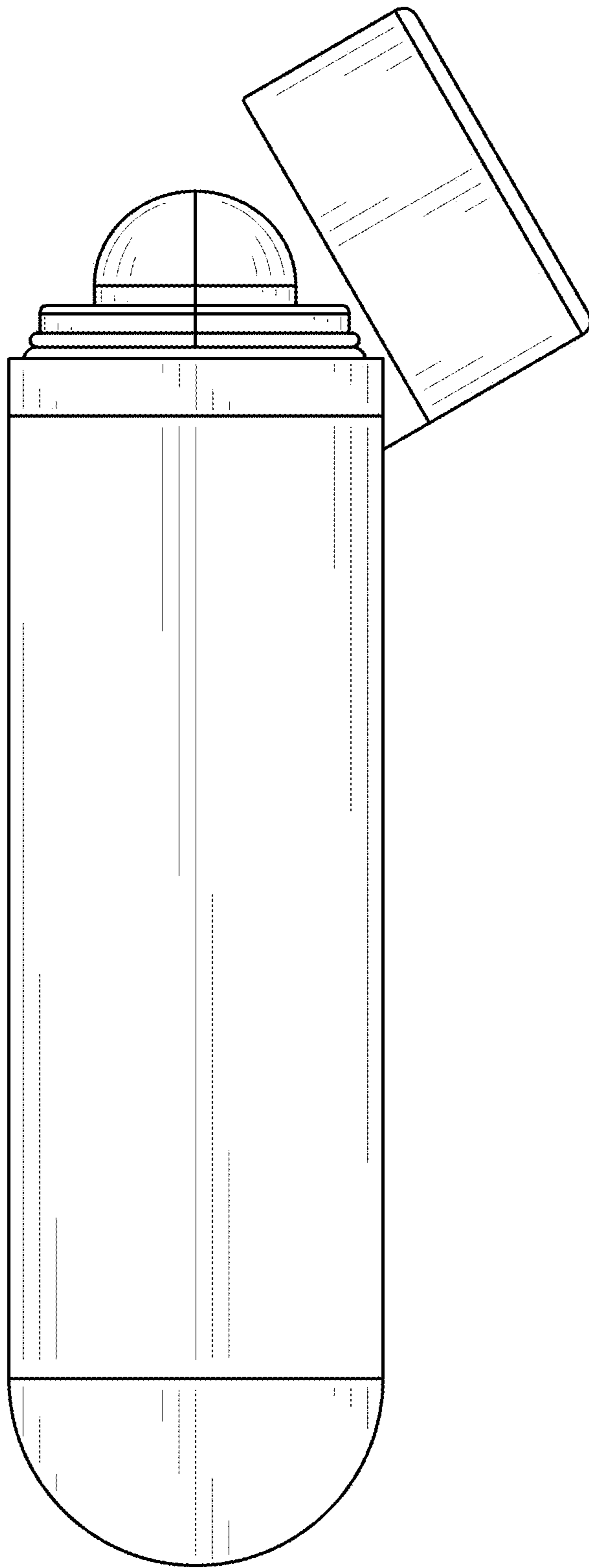


FIG. 11

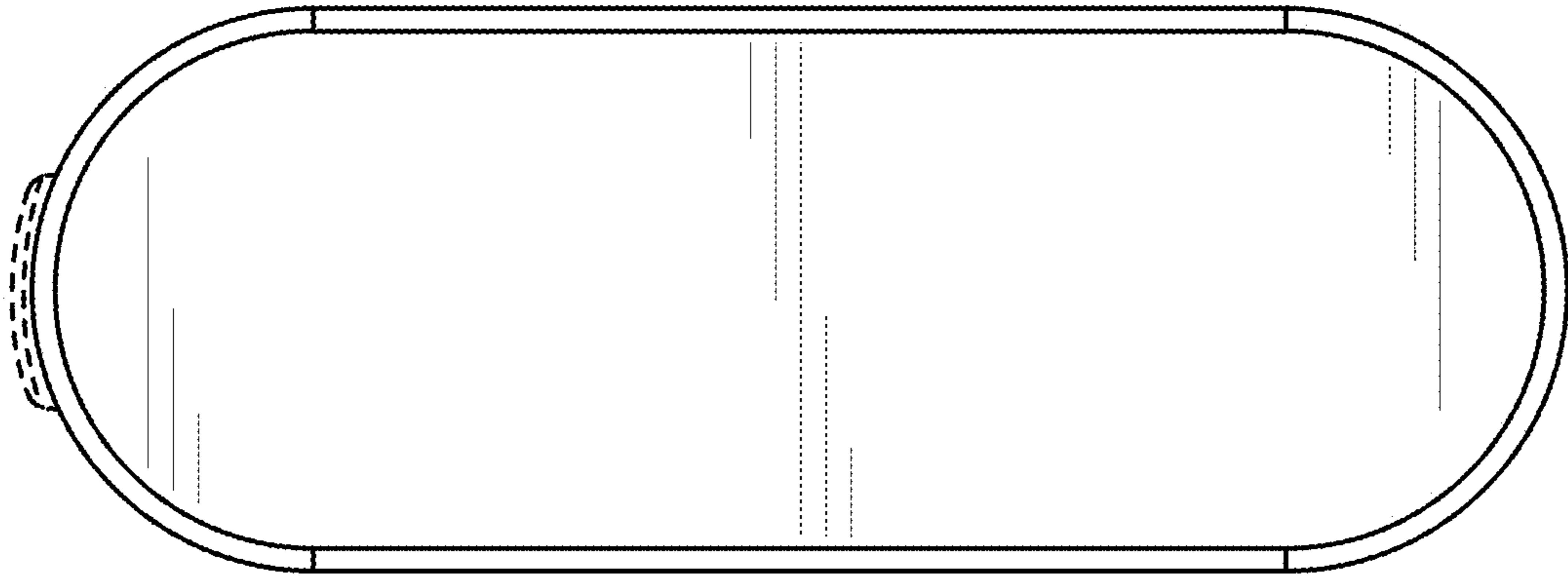


FIG. 12

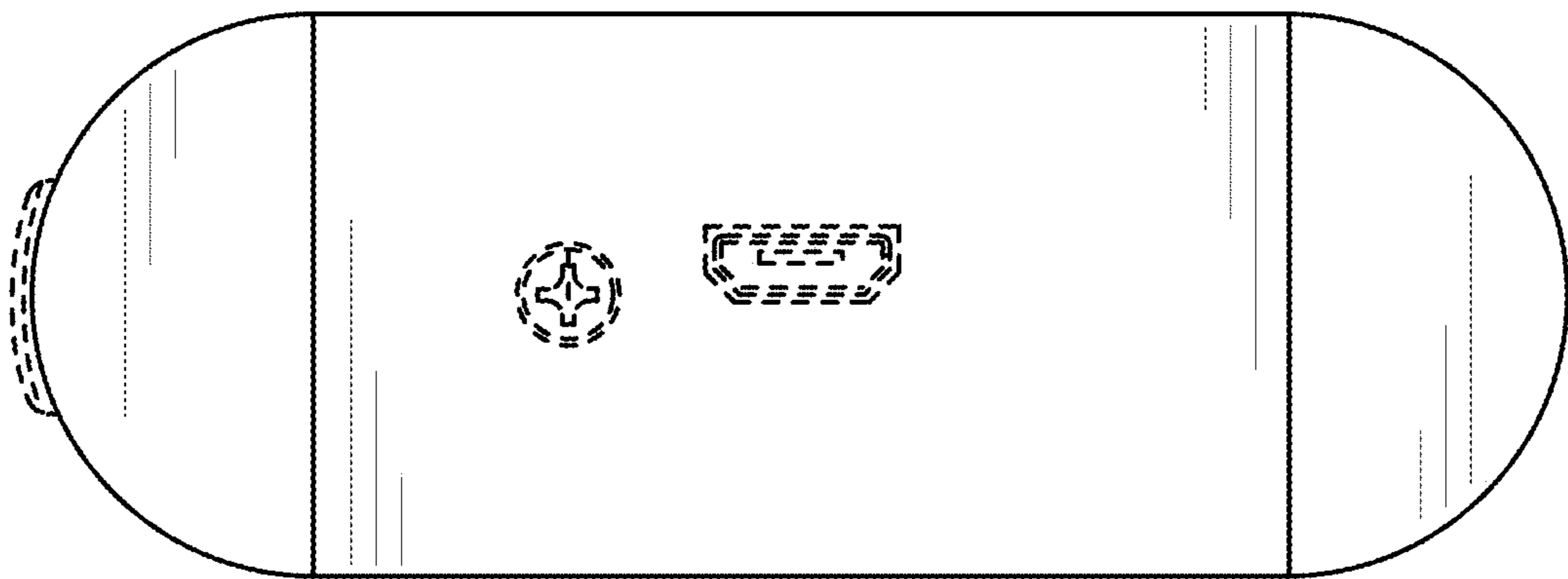


FIG. 13