



US00D972204S

(12) **United States Design Patent** (10) **Patent No.:** **US D972,204 S**  
**Liu** (45) **Date of Patent:** **\*\* Dec. 6, 2022**

(54) **HEATING ELEMENT FOR ELECTRONIC CIGARETTE ATOMIZER**

(71) Applicant: **Shenzhen Eigate Technology Co., Ltd.**, Shenzhen (CN)

(72) Inventor: **Tuanfang Liu**, Shenzhen (CN)

(73) Assignee: **SHENZHEN EIGATE TECHNOLOGY CO., LTD.**, Shenzhen (CN)

(\*\*) Term: **15 Years**

(21) Appl. No.: **29/794,658**

(22) Filed: **Jun. 14, 2021**

(30) **Foreign Application Priority Data**

Dec. 21, 2020 (CN) ..... 202030787960.3

(51) **LOC (13) Cl.** ..... **27-02**

(52) **U.S. Cl.**  
USPC ..... **D27/162**

(58) **Field of Classification Search**  
USPC ..... D27/162, 100, 101, 163-165, 167, 169, D27/172, 183, 185-192, 194; D13/107-109, 137.2; D14/435.1; D24/110, 110.5  
CPC ..... A61M 15/00; A61M 15/06  
See application file for complete search history.

(56) **References Cited**

**U.S. PATENT DOCUMENTS**

D255,943 S \* 7/1980 Hernandez ..... D7/678  
D257,290 S \* 10/1980 Erickson ..... D27/167

D649,285 S \* 11/2011 Maldonado ..... D27/196  
D773,115 S \* 11/2016 Liu ..... D27/167  
D817,543 S \* 5/2018 Liu ..... D27/167  
D836,768 S \* 12/2018 Hill ..... D24/110  
D927,058 S \* 8/2021 Liu ..... D27/162  
11,219,724 B2 \* 1/2022 Liu ..... H05B 3/04  
D943,174 S \* 2/2022 Liu ..... D27/162  
D943,178 S \* 2/2022 Liu ..... D27/162  
D955,632 S \* 6/2022 Liu ..... D27/162  
2021/0106056 A1 \* 4/2021 Liu ..... H05B 3/16  
2021/0106057 A1 \* 4/2021 Liu ..... H05B 3/46  
2021/0212372 A1 \* 7/2021 Liu ..... A24F 40/485  
2021/0410230 A1 \* 12/2021 Liu ..... A24F 40/46  
2021/0410233 A1 \* 12/2021 Liu ..... H05B 3/44  
2022/0163195 A1 \* 5/2022 Liu ..... H05B 3/16  
2022/0201801 A1 \* 6/2022 Liu ..... A24F 40/485

\* cited by examiner

*Primary Examiner* — Rebecca Tsehaye

(74) *Attorney, Agent, or Firm* — Matthias Scholl P.C.; Matthias Scholl

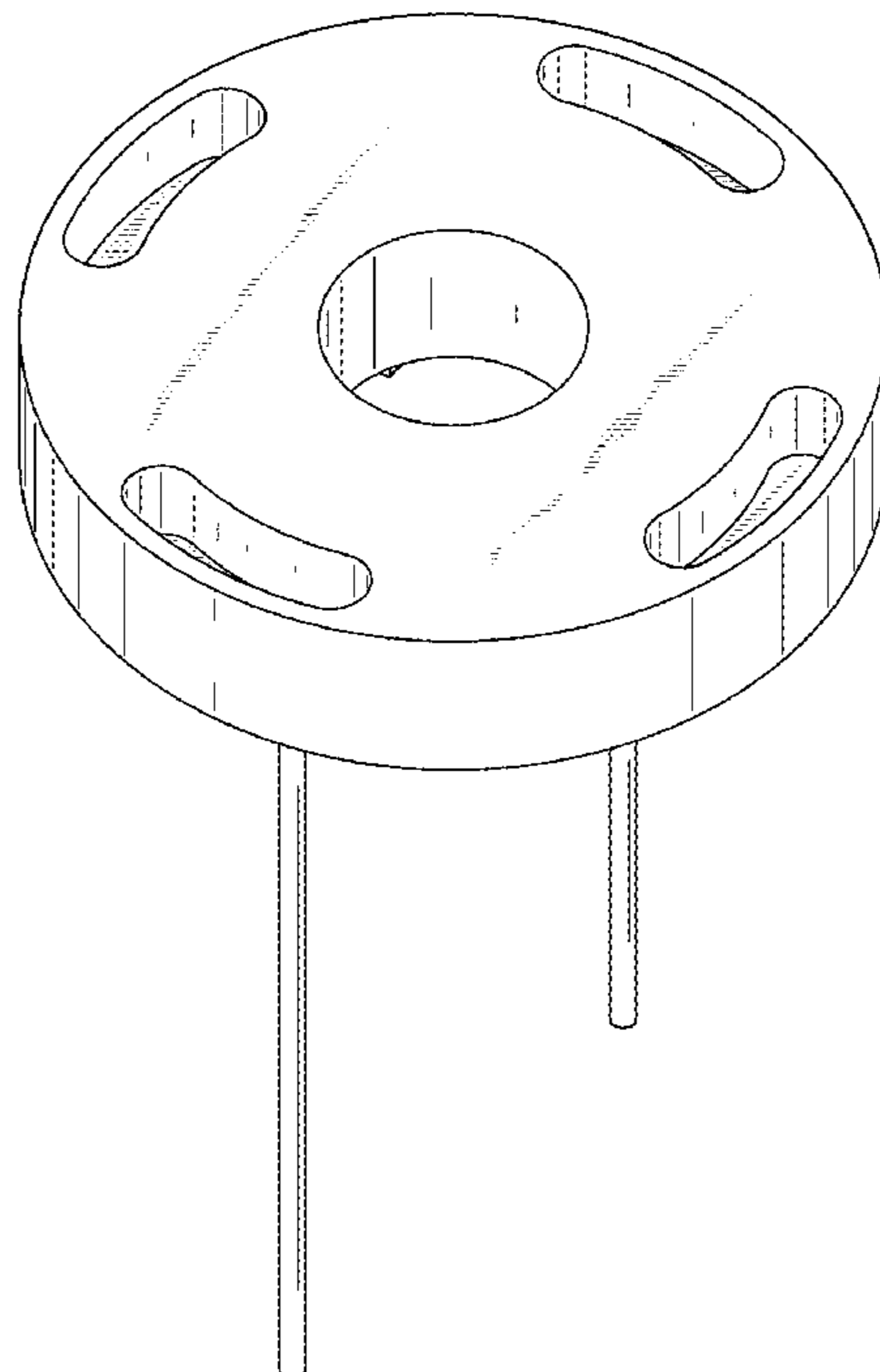
(57) **CLAIM**

The ornamental design for a heating element for an electronic cigarette atomizer, as shown and described.

**DESCRIPTION**

FIG. 1 is a front elevation view of a heating element for an electronic cigarette atomizer, showing my new design; FIG. 2 is a rear elevation view thereof; FIG. 3 is a left-side elevation view thereof; FIG. 4 is a right-side elevation view thereof; FIG. 5 is a top plan view thereof; FIG. 6 is a bottom plan view thereof; FIG. 7 is a top perspective view thereof; and, FIG. 8 is a bottom perspective view thereof.

**1 Claim, 8 Drawing Sheets**



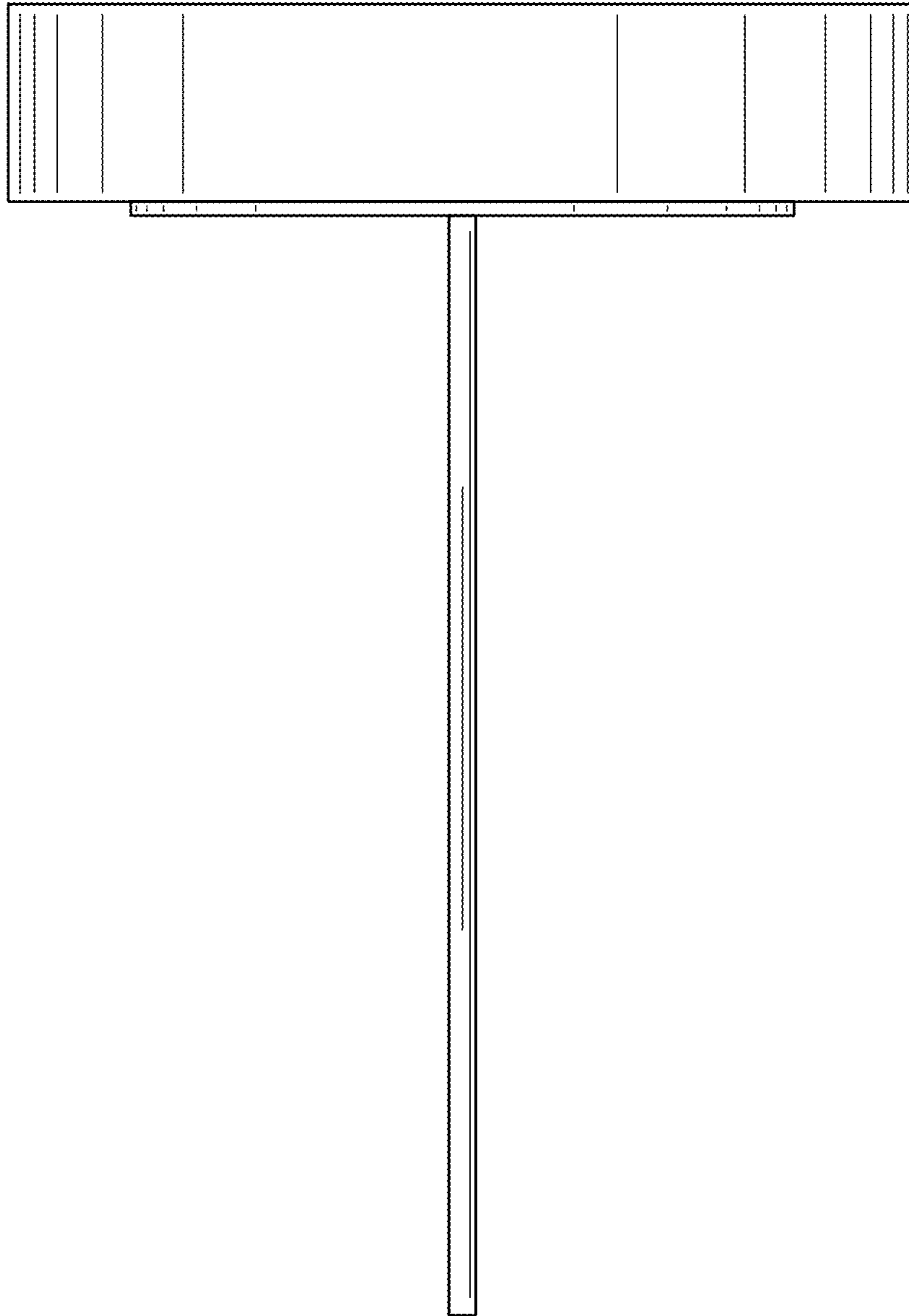


FIG. 1

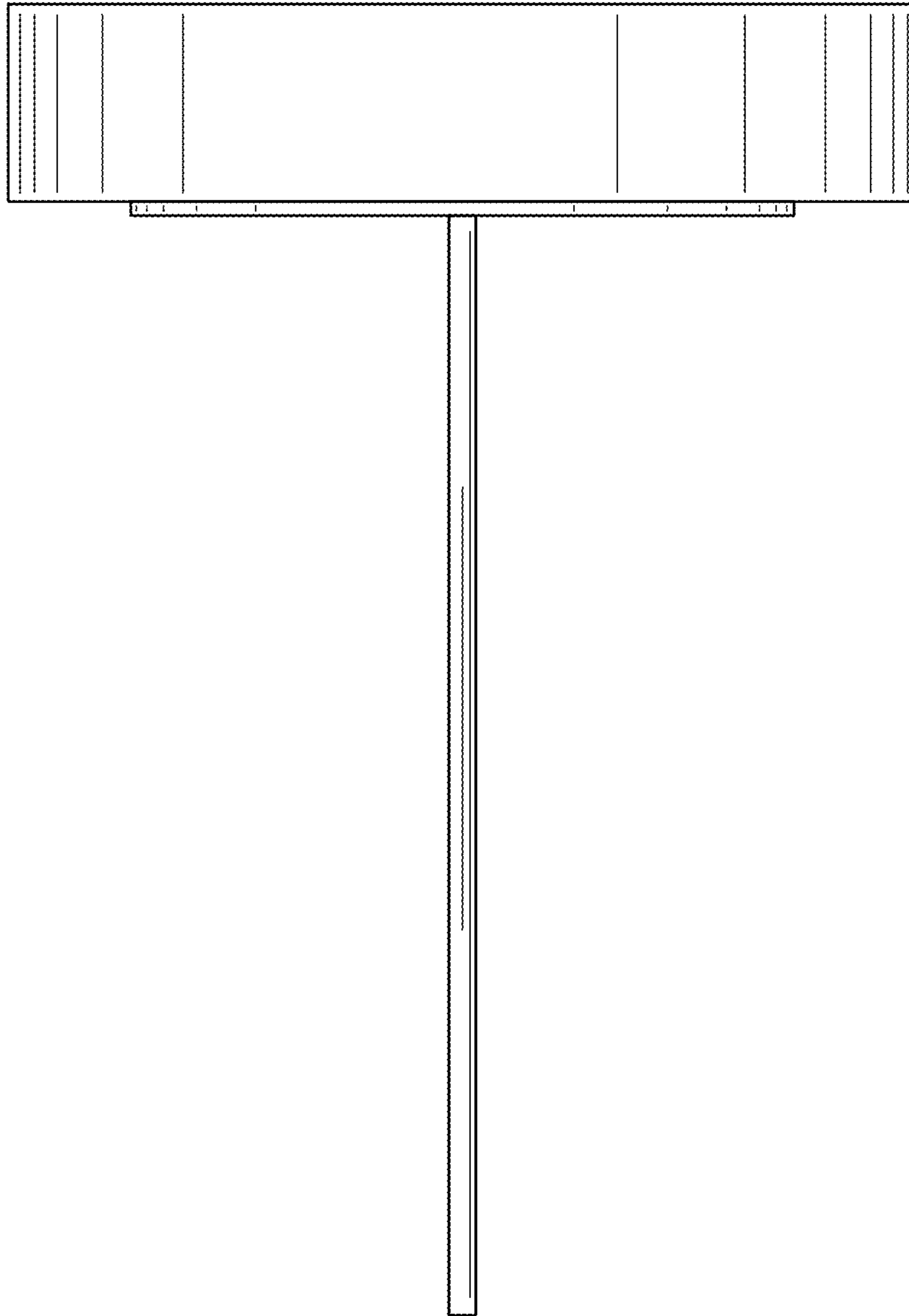


FIG. 2

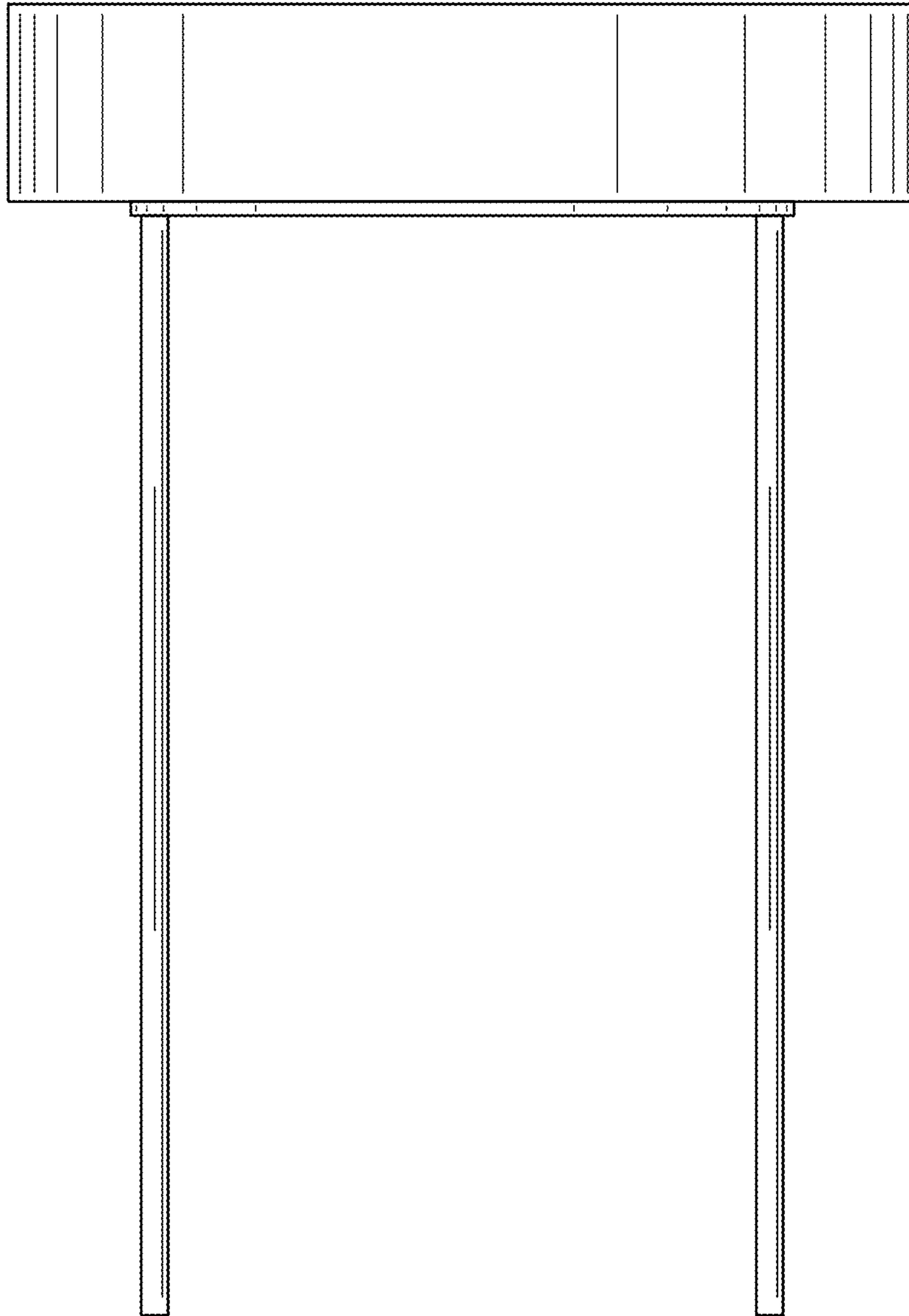


FIG. 3

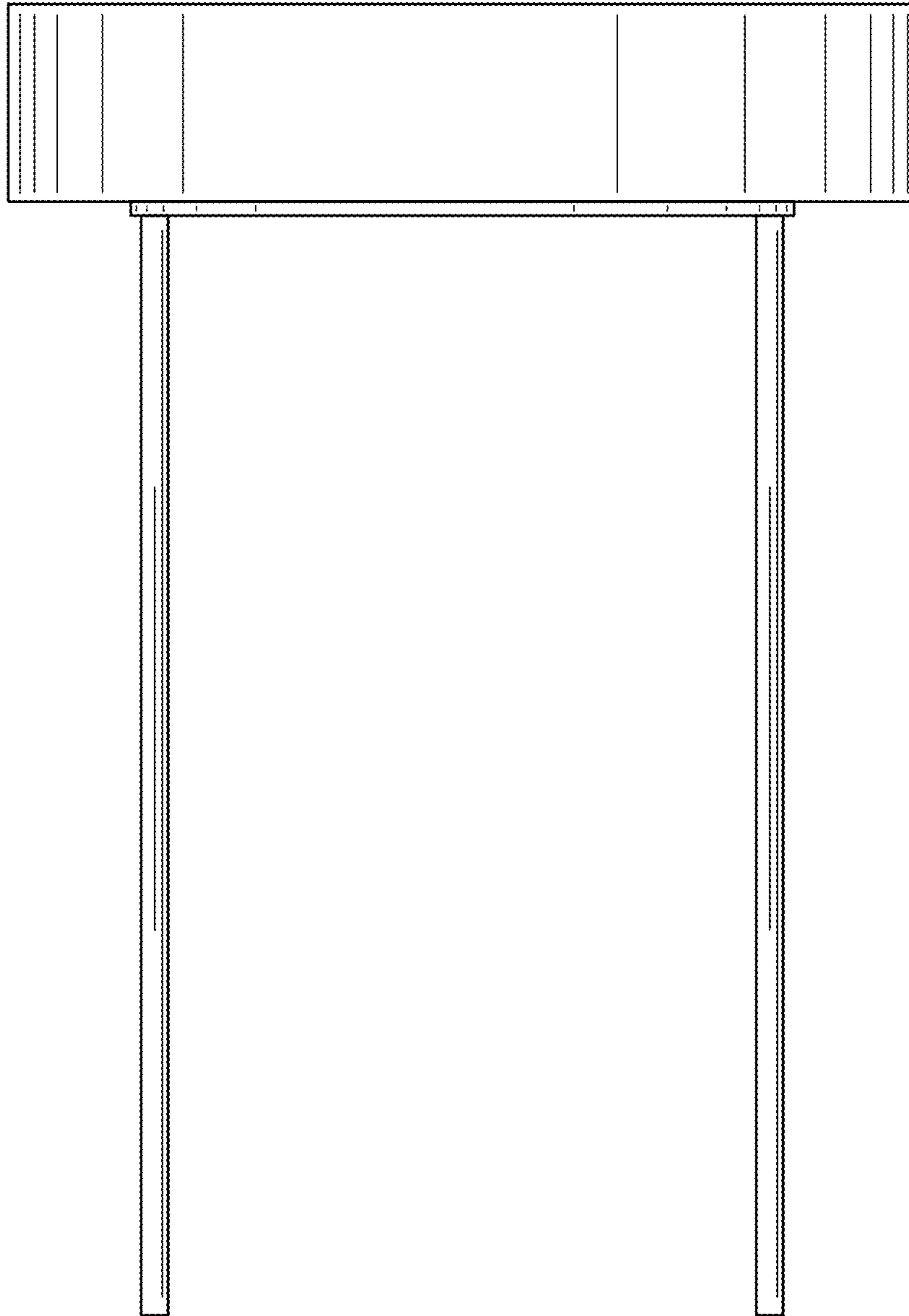


FIG. 4

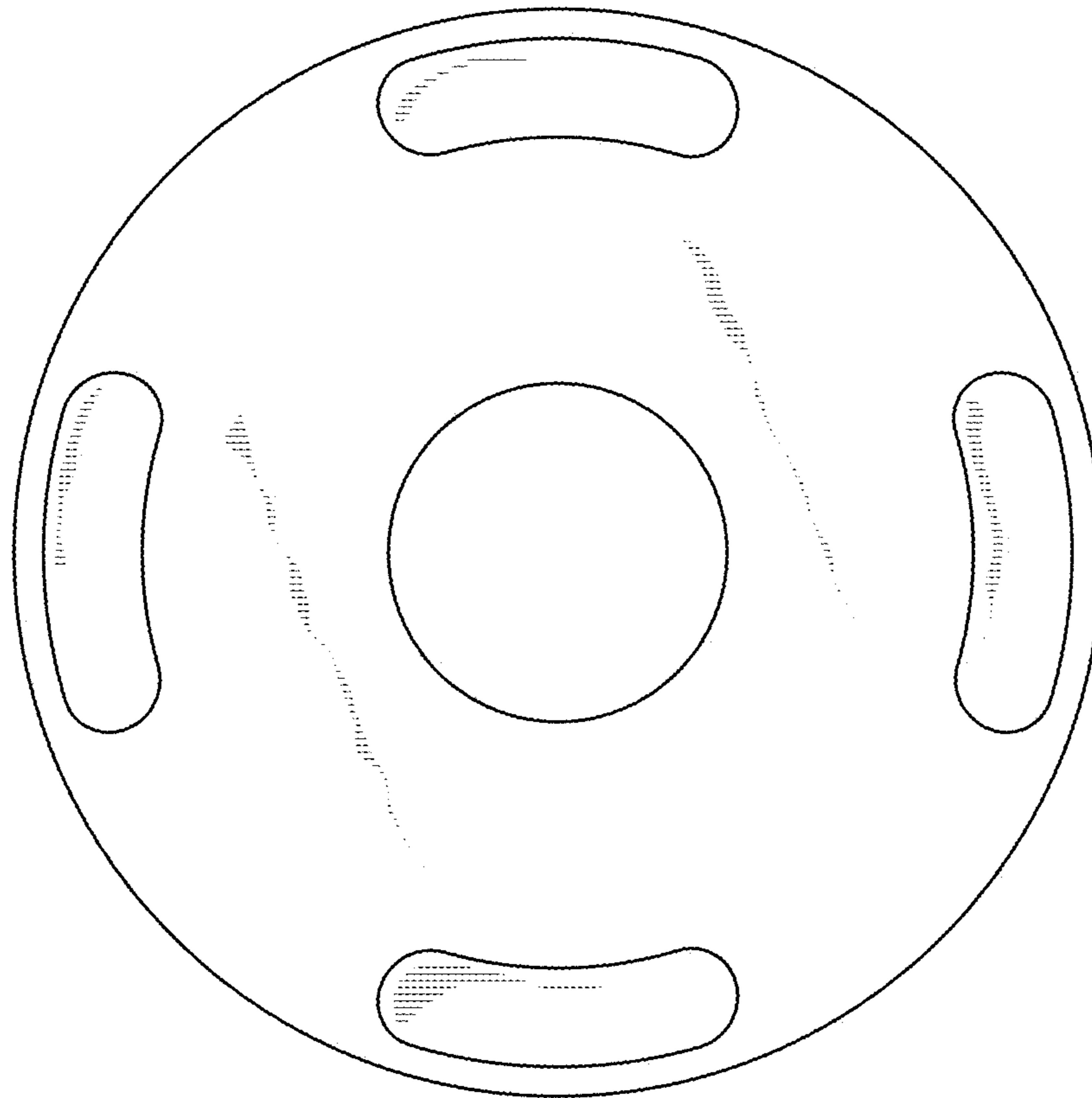


FIG. 5

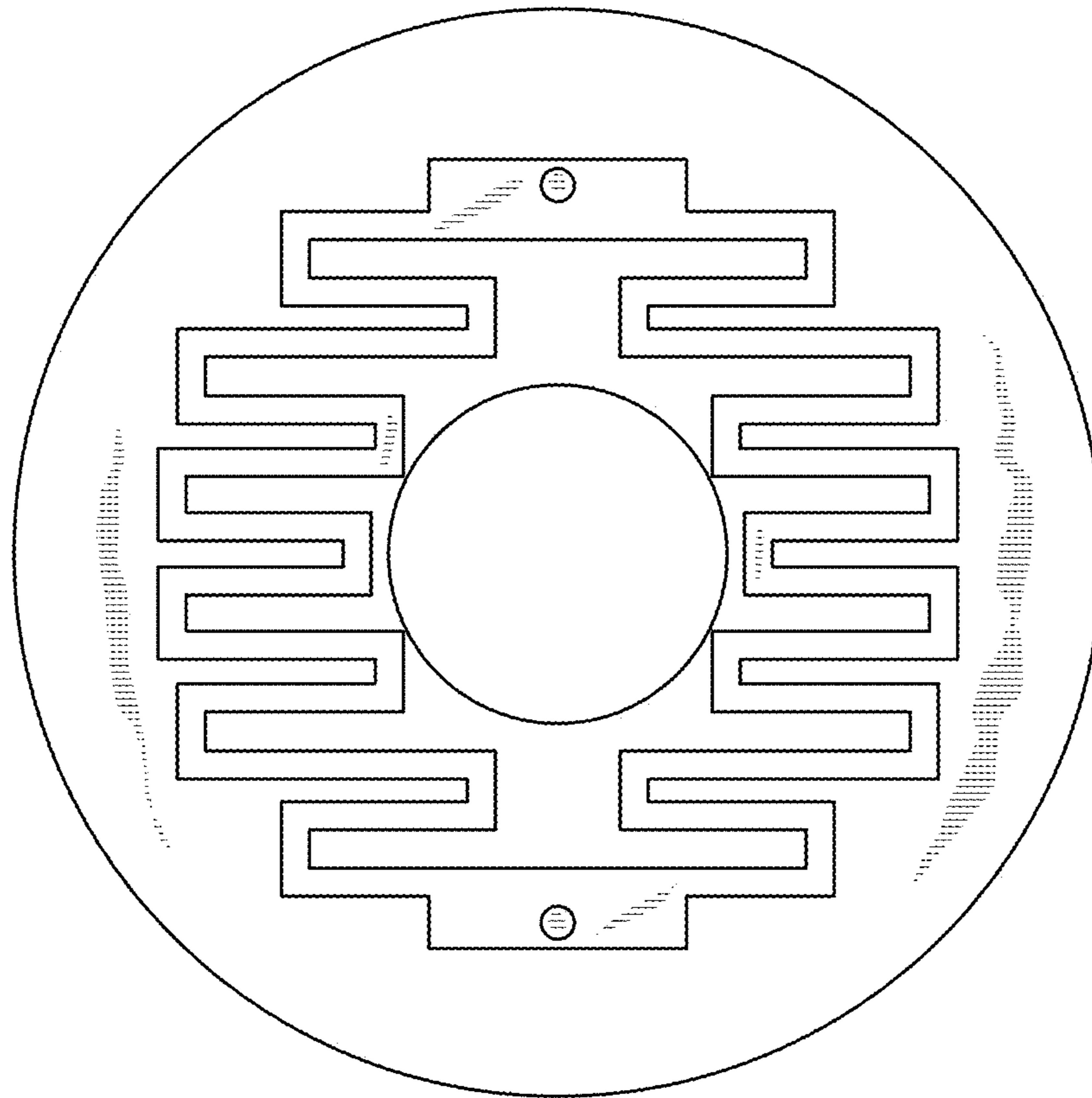


FIG. 6

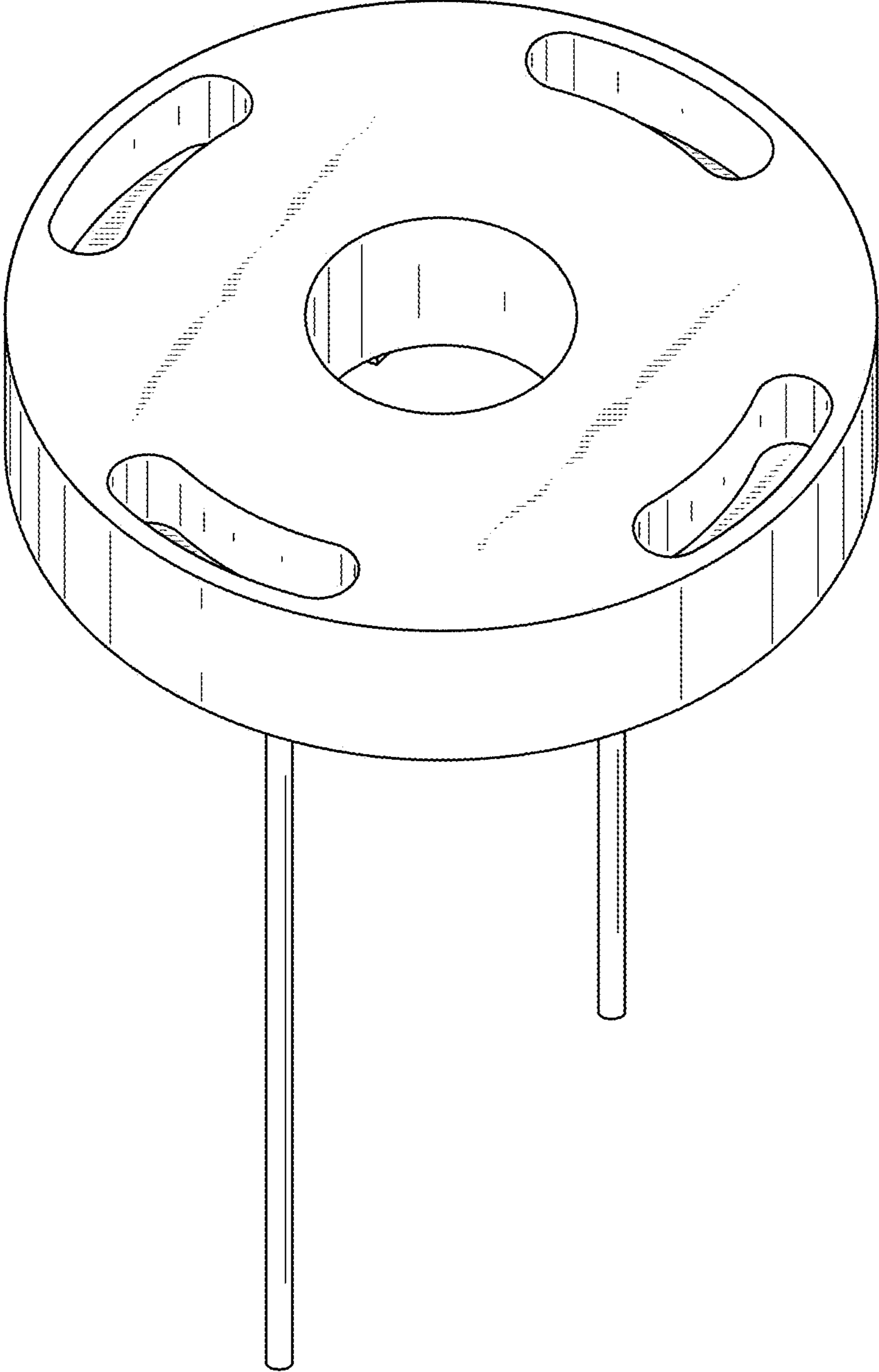


FIG. 7



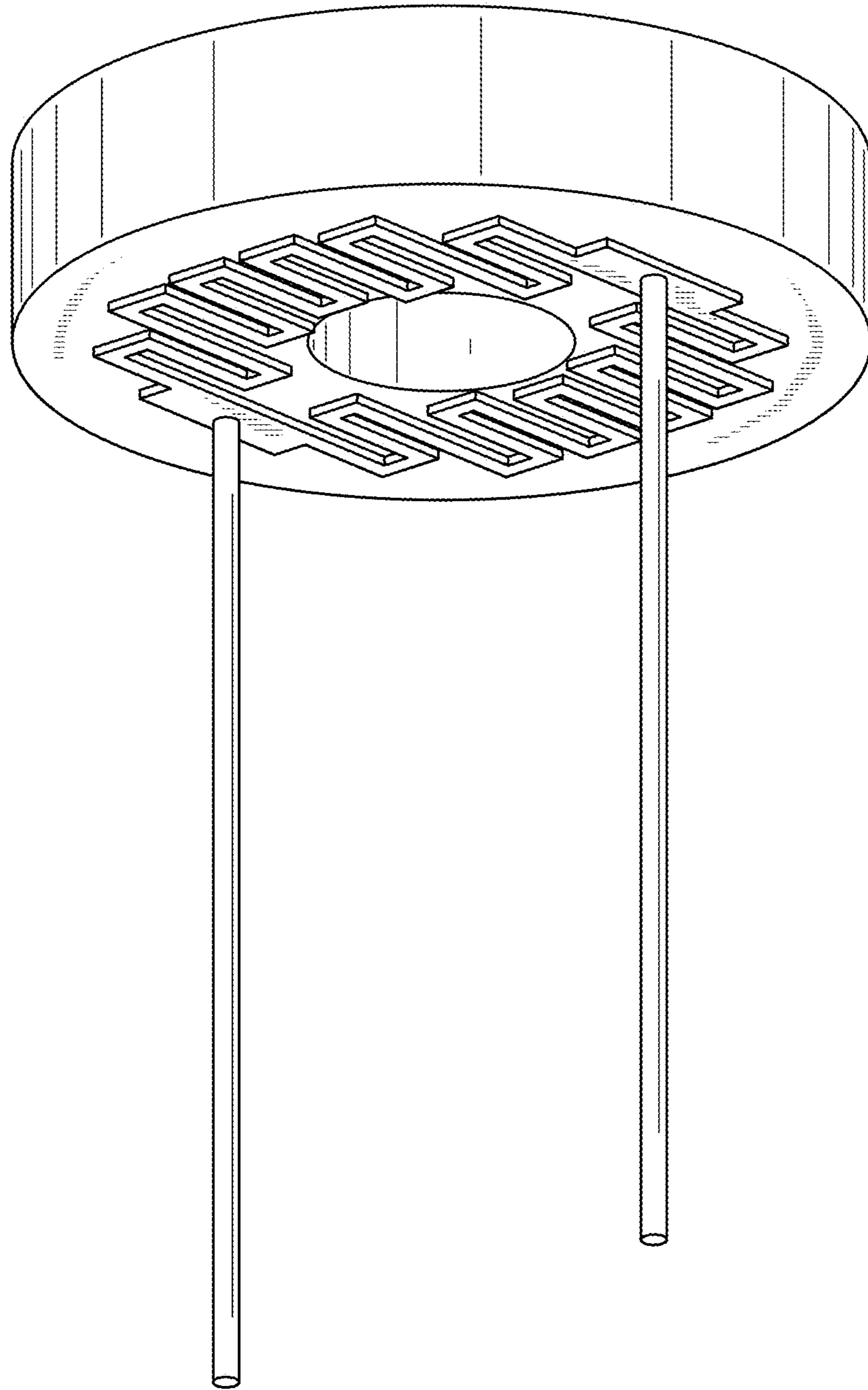


FIG. 8