

US00D972203S

(12) **United States Design Patent** (10) **Patent No.:** **US D972,203 S**
Dumville et al. (45) **Date of Patent:** **** *Dec. 6, 2022**

(54) **HANDHELD AEROSOL GENERATOR**

(71) Applicant: **PHILIP MORRIS PRODUCTS S.A.**,
Neuchatel (CH)

(72) Inventors: **Anthony Dumville**, Epesses (CH);
David Kuchen, Vallamand-Dessous
(CH); **Frederic Lavanchy**, Chavornay
(CH); **Stephane Roudier**, Colombier
(CH)

(73) Assignee: **PHILIP MORRIS PRODUCTS S.A.**,
Neuchatel (CH)

(*) Notice: This patent is subject to a terminal dis-
claimer.

(**) Term: **15 Years**

(21) Appl. No.: **29/671,744**

(22) Filed: **Nov. 29, 2018**

Related U.S. Application Data

(62) Division of application No. 35/503,721, filed on Mar.
27, 2017 (U.S. filing date under 35 U.S.C. 384), and
having an international filing date of Mar. 27, 2017,
now Pat. No. Des. 870,366.

(30) **Foreign Application Priority Data**

Sep. 28, 2016 (EM) 003398668-0001
Sep. 28, 2016 (EM) 003398668-0002
Sep. 28, 2016 (EM) 003398668-0003

(51) **LOC (13) Cl.** **27-02**

(52) **U.S. Cl.**
USPC **D27/162**

(58) **Field of Classification Search**

USPC D27/162, 100, 101, 163-167, 169, 170,
D27/172, 183, 185-192, 194; D24/110,
D24/110.5, 113
CPC A24F 7/00; A24F 7/02; A24F 7/04; A24F
47/008; A24F 47/006; A24F 47/002;
A24F 47/004; A61M 15/00; A61M 15/06
See application file for complete search history.

(56) **References Cited**

U.S. PATENT DOCUMENTS

D613,902 S	4/2010	Kaljura	
D652,987 S *	1/2012	Kaljura	D27/101
D685,522 S *	7/2013	Potter	D27/101
D728,154 S *	4/2015	Lavanchy	D27/101
D739,597 S *	9/2015	Lavanchy	D27/101
D750,834 S *	3/2016	Wei	D27/101
D750,835 S *	3/2016	Wei	D27/101

(Continued)

OTHER PUBLICATIONS

E-Cigarette Disposable Kit By: Hangsen found on line (Feb. 9,
2022) <https://hangsen.en.made-in-china.com/product/WMgnbGzCnsrj/China-Hangsen-510-Rechargeable-E-Cigarette-Disposable-Kit.html> (Dec. 21, 2021).*

(Continued)

Primary Examiner — Rebecca Tsehaye

(74) *Attorney, Agent, or Firm* — Oblon, McClelland,
Maier & Neustadt, L.L.P.

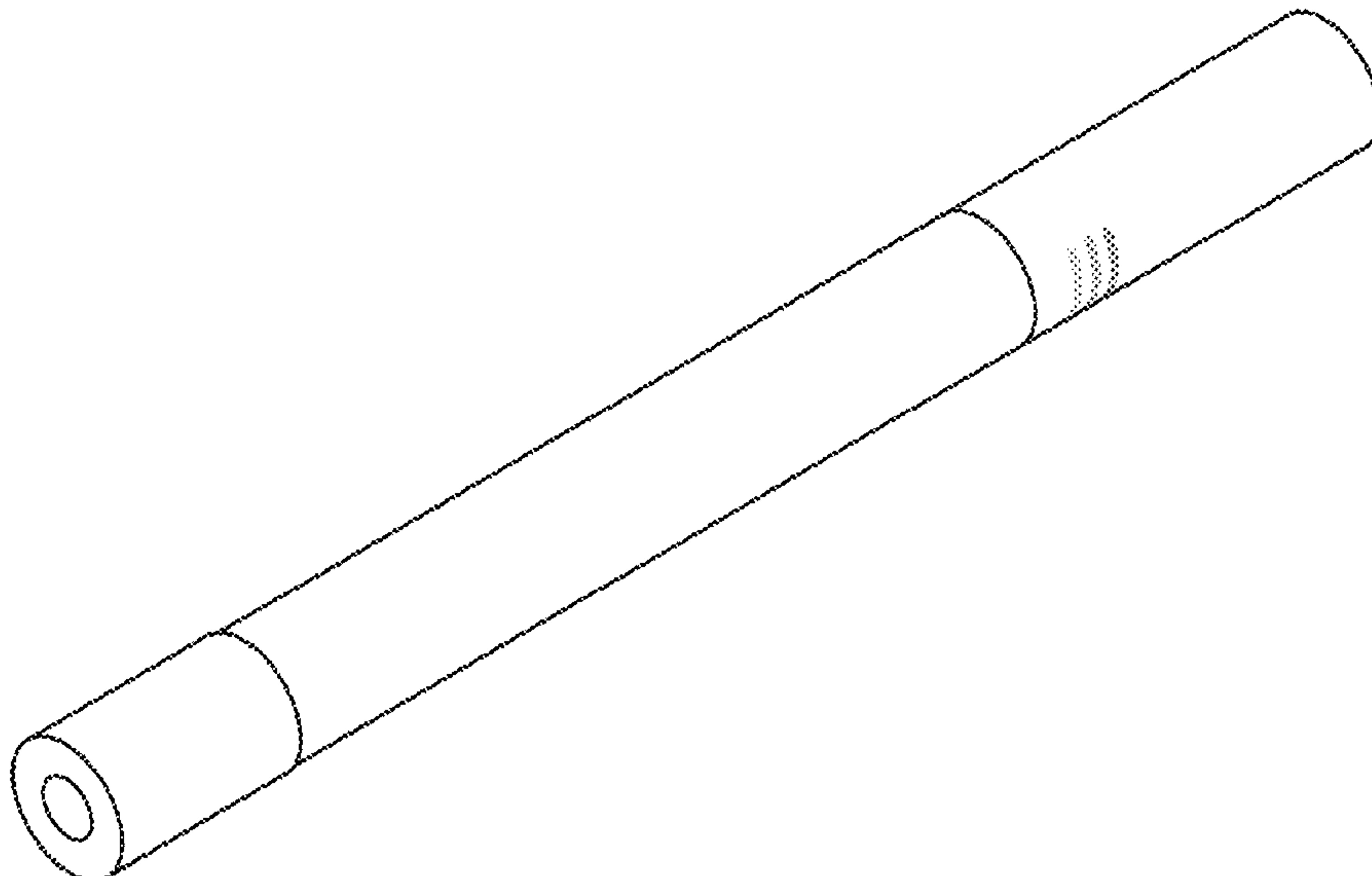
(57) **CLAIM**

The ornamental design for a handheld aerosol generator, as
shown and described.

DESCRIPTION

FIG. 1 is an exploded front, top, and left side perspective
view of the handheld aerosol generator thereof;
FIG. 2 is an exploded front elevational view thereof;
FIG. 3 is an exploded rear elevational view thereof;
FIG. 4 is a right side elevational view thereof;
FIG. 5 is a left side elevational view thereof;
FIG. 6 is an exploded top view thereof; and,
FIG. 7 is an exploded bottom view thereof.

1 Claim, 7 Drawing Sheets



(56)

References Cited

U.S. PATENT DOCUMENTS

D758,650 S * 6/2016 Wu D27/101
 D770,086 S * 10/2016 Tucker D27/101
 D797,369 S * 9/2017 Yamada D27/101
 D802,207 S * 11/2017 Bramley D27/170
 D803,475 S * 11/2017 Scheiber D27/101
 D819,264 S * 5/2018 Mykhaylovych D27/101
 D821,028 S * 6/2018 Tucker D27/101
 D825,835 S * 8/2018 Verleur D27/101
 D827,920 S 9/2018 Fornarelli
 D834,743 S * 11/2018 Tucker D27/101
 D857,983 S * 8/2019 Bramley D27/101
 D870,366 S * 12/2019 Lavanchy A24F 7/00
 D27/101
 D884,268 S * 5/2020 Deng D27/162
 D897,594 S * 9/2020 Tucker D27/101
 D919,173 S * 5/2021 Li D27/162

11,200,770 B2* 12/2021 Hubbard A61M 11/042
 2011/0120455 A1* 5/2011 Murphy A61M 15/0091
 128/200.18
 2011/0232654 A1* 9/2011 Mass A24F 40/42
 131/273

OTHER PUBLICATIONS

Combined Taiwanese Notice of Allowance and Search Report dated Feb. 1, 2018 in Taiwanese Patent Application No. 106301635 (with English translation), 3 pages.

Combined Taiwanese Office Action and Search Report dated Feb. 1, 2018 in Taiwanese Patent Application No. 106301633 (with English translation of the Search Report), 4 pages.

U.S. Non-Final Office Action dated Feb. 17, 2022 in copending U.S. Appl. No. 29/671,749, First Named Inventor: David Kuchen (10 pages).

* cited by examiner

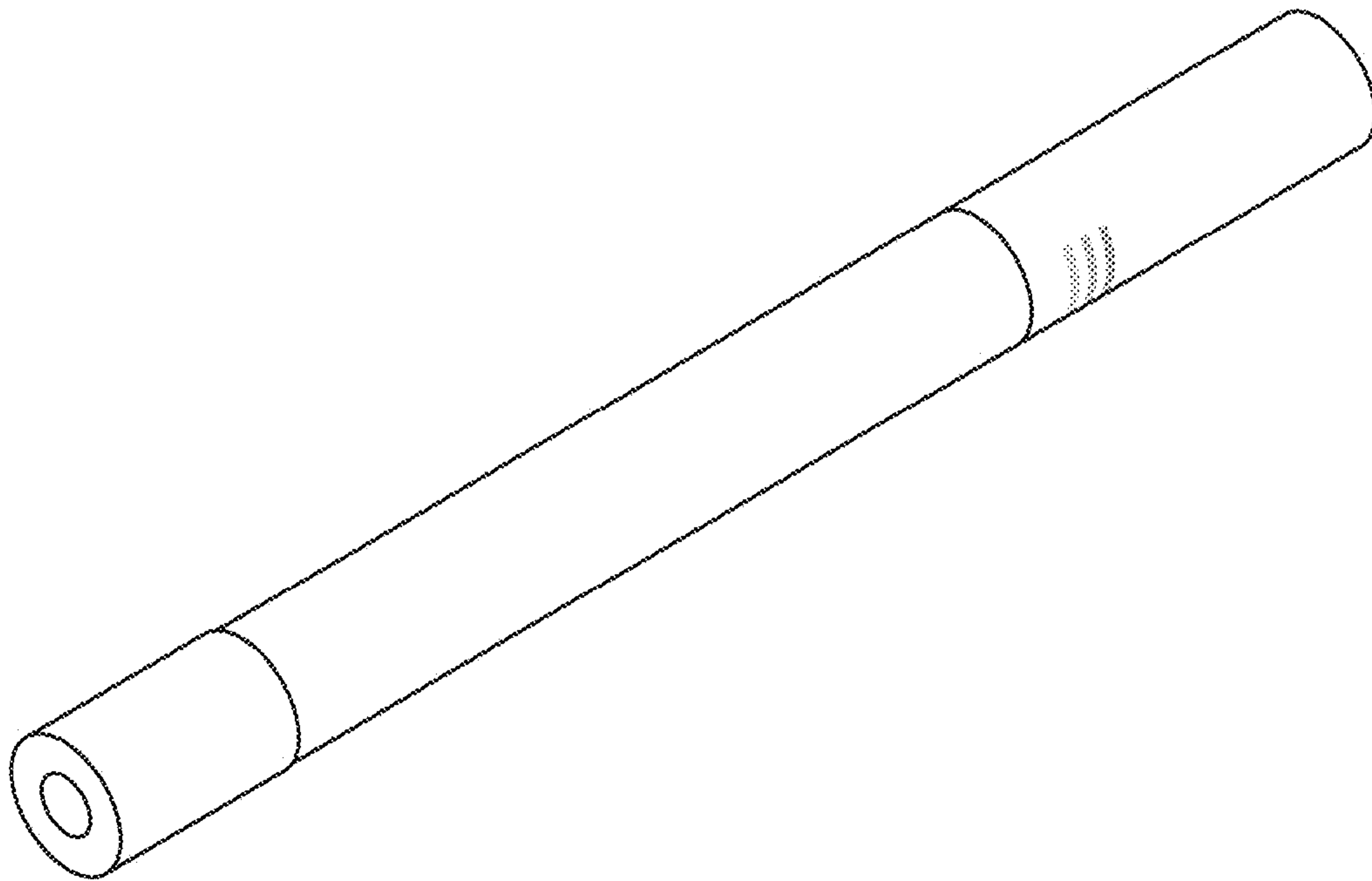


FIG. 1



FIG. 2



FIG. 3

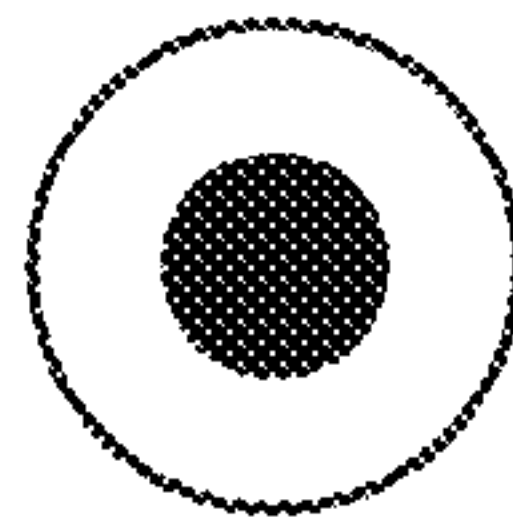


FIG. 4

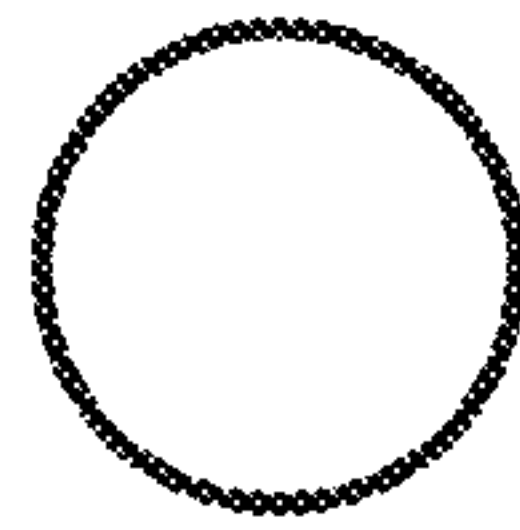


FIG. 5



FIG. 6



FIG. 7