



US00D972201S

(12) **United States Design Patent** (10) **Patent No.:** **US D972,201 S**
Deng (45) **Date of Patent:** **** Dec. 6, 2022**

(54) **EXPLOSION-PROOF LAMP**

(56) **References Cited**

(71) Applicant: **EPC PRODUCT LLC**, Rancho Dominguez, CA (US)

U.S. PATENT DOCUMENTS

(72) Inventor: **Jinsheng Deng**, Rancho Dominguez, CA (US)

D251,751 S *	5/1979	Lawrence	D26/119
D331,634 S *	12/1992	Browne	D26/119
D535,422 S *	1/2007	Mier-Langner	D26/61
D653,795 S *	2/2012	Guercio	D26/89
D828,584 S *	9/2018	Yu	D26/2
D855,872 S *	8/2019	Lan	D26/119
D858,863 S *	9/2019	Deng	D26/119
D868,334 S *	11/2019	Li	D26/72
D883,561 S *	5/2020	Romano	D26/119
D888,320 S *	6/2020	Brannon	D26/89
D914,935 S *	3/2021	Deng	D26/41
D923,861 S *	6/2021	Haggar	D26/119
2011/0280021 A1 *	11/2011	Pollack, Jr.	F21V 29/83 362/294
2012/0195041 A1 *	8/2012	Fletcher	F21V 23/003 362/249.02
2019/0113217 A1 *	4/2019	Lan	F21V 15/02
2019/0212005 A1 *	7/2019	Lan	F21V 21/30

(73) Assignee: **EPC PRODUCT LLC**, Rancho Dominguez, CA (US)

(**) Term: **15 Years**

(21) Appl. No.: **29/720,148**

(22) Filed: **Jan. 10, 2020**

(30) **Foreign Application Priority Data**

Dec. 24, 2019 (CN) 201930721582.6

(51) **LOC (13) Cl.** **26-05**

(52) **U.S. Cl.**
USPC **D26/119**

(58) **Field of Classification Search**
USPC D26/24, 63, 72, 76, 77, 78, 81, 88, 90,
D26/118, 119; 362/185
CPC F21V 15/00; F21V 15/01; F21V 15/02;
F21V 15/04; F21V 1/02; F21V 1/04;
F21V 1/08; F21V 29/506; F21V 29/507;
F21V 31/00; F21S 8/03; F21S 8/04; F21S
8/06; F21S 8/033; F21S 8/036; F21S
8/043; F21S 8/061; F21S 8/086; F21S
9/022; F21W 2131/10; F21W 2131/40;
F21W 2131/101; F21W 2131/103; F21W
2131/105; F21W 2131/107; F21W
2131/402; F21W 2131/407; F21W
2131/409; F21W 2131/1005

See application file for complete search history.

* cited by examiner

Primary Examiner — Wan Laymon
Assistant Examiner — Clint A Samuel

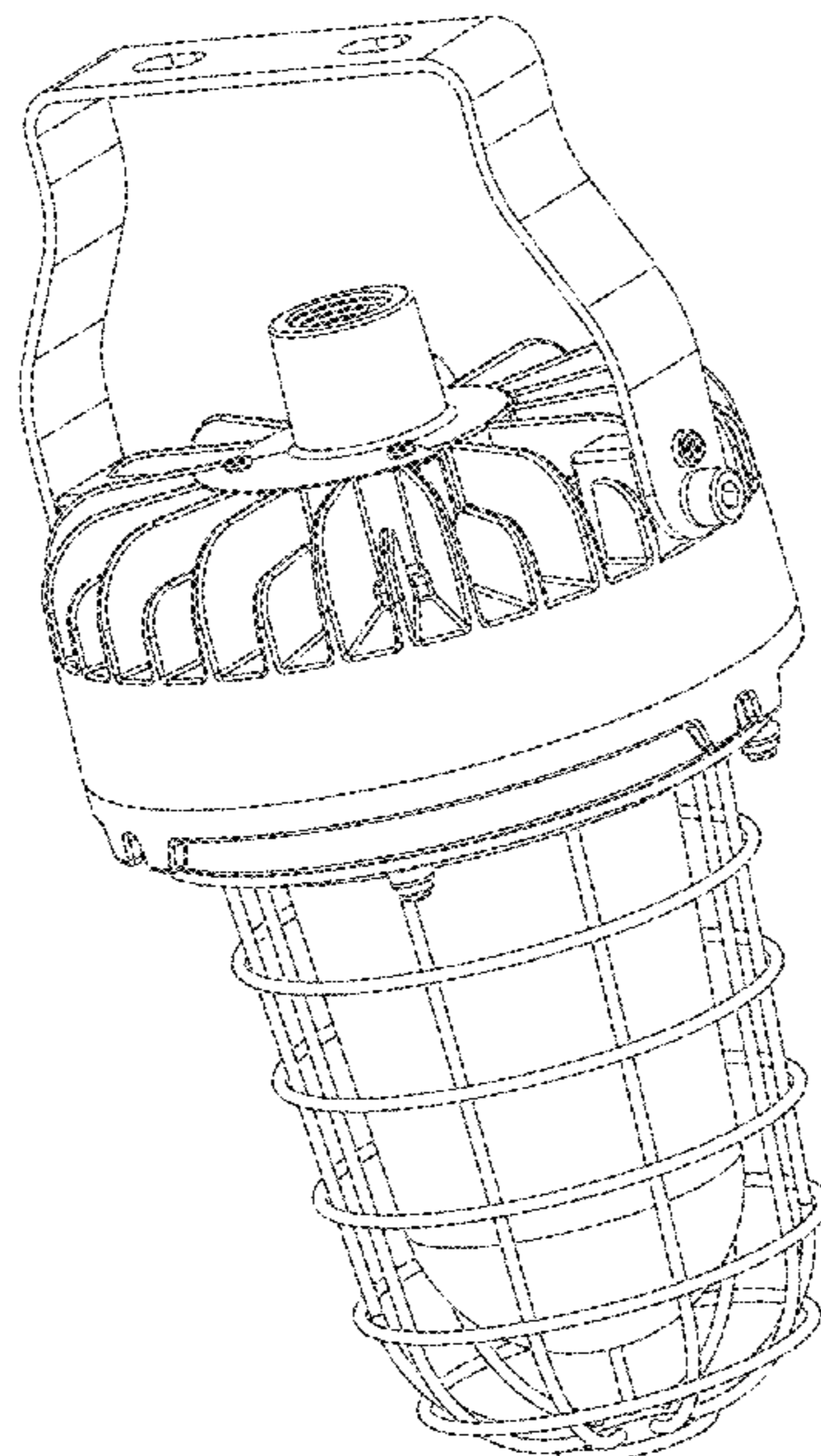
(57) **CLAIM**

The ornamental design for an explosion-proof lamp, as shown and described.

DESCRIPTION

FIG. 1 is a perspective view of an explosion-proof lamp showing my new design;
FIG. 2 is a front elevation view thereof;
FIG. 3 is a rear elevation view thereof;
FIG. 4 is a left side elevation view thereof;
FIG. 5 is a right side elevation view thereof;
FIG. 6 is a top plan view thereof; and,
FIG. 7 is a bottom plan view thereof.

1 Claim, 7 Drawing Sheets



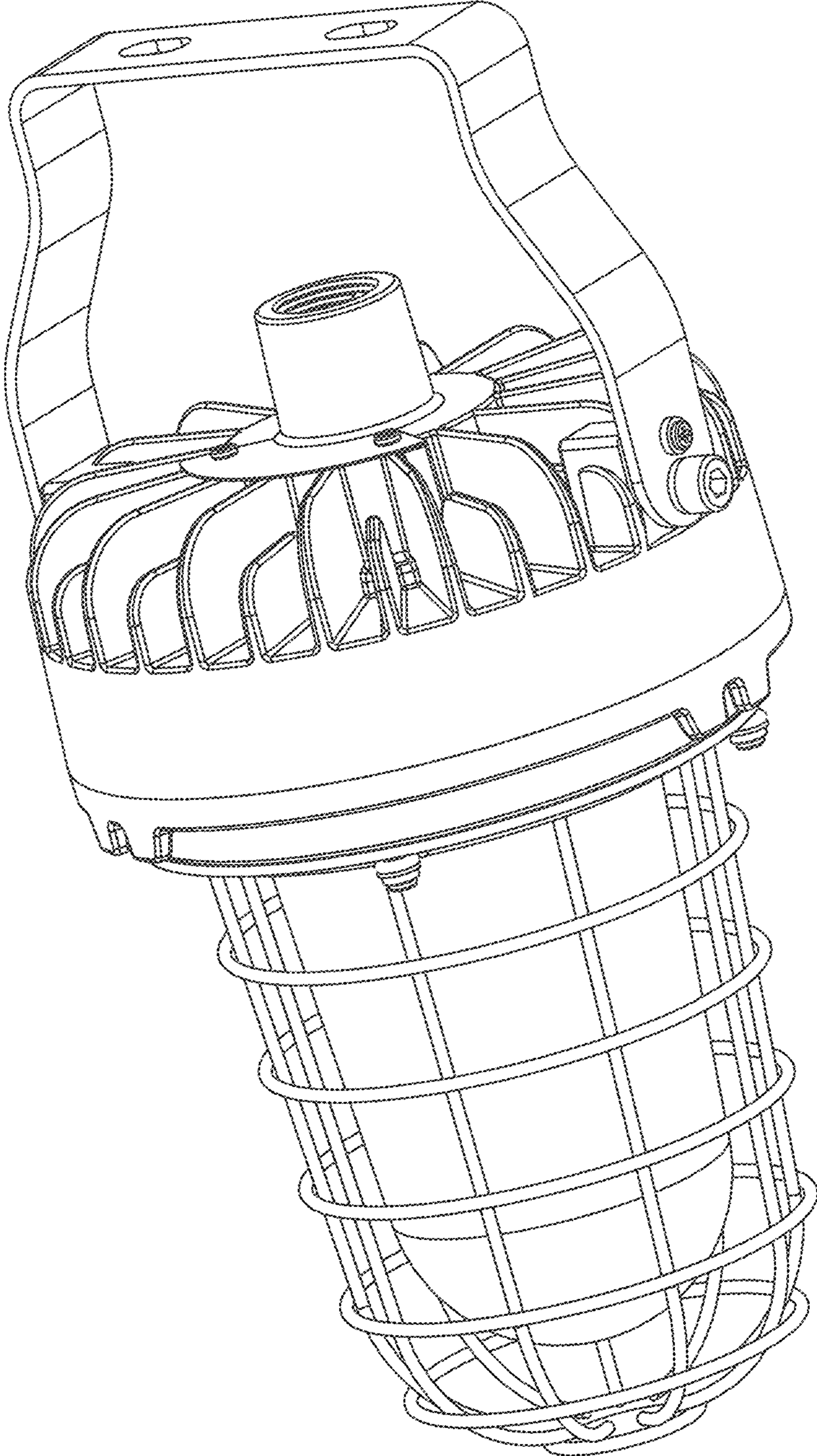


FIG. 1

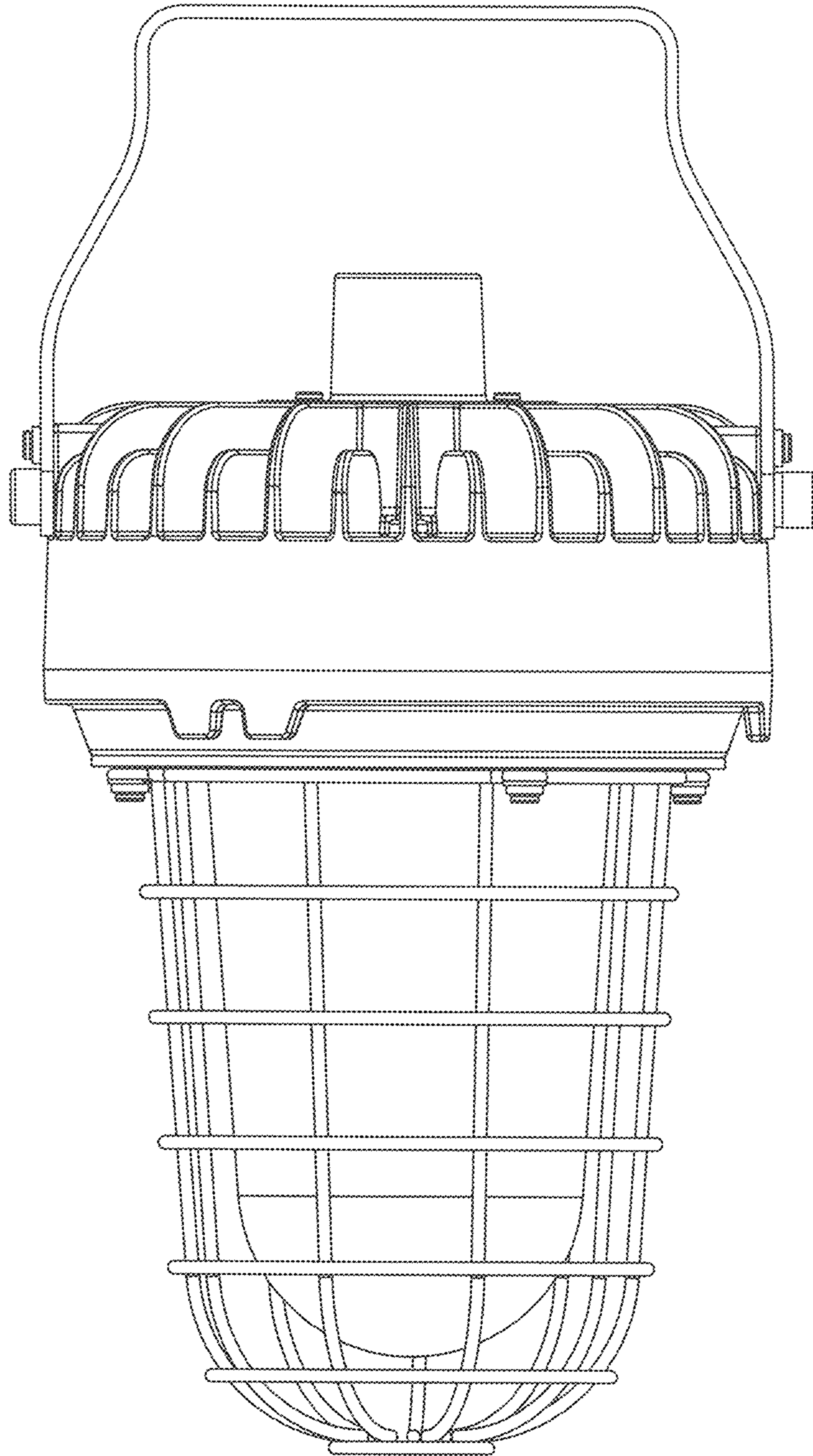


FIG. 2

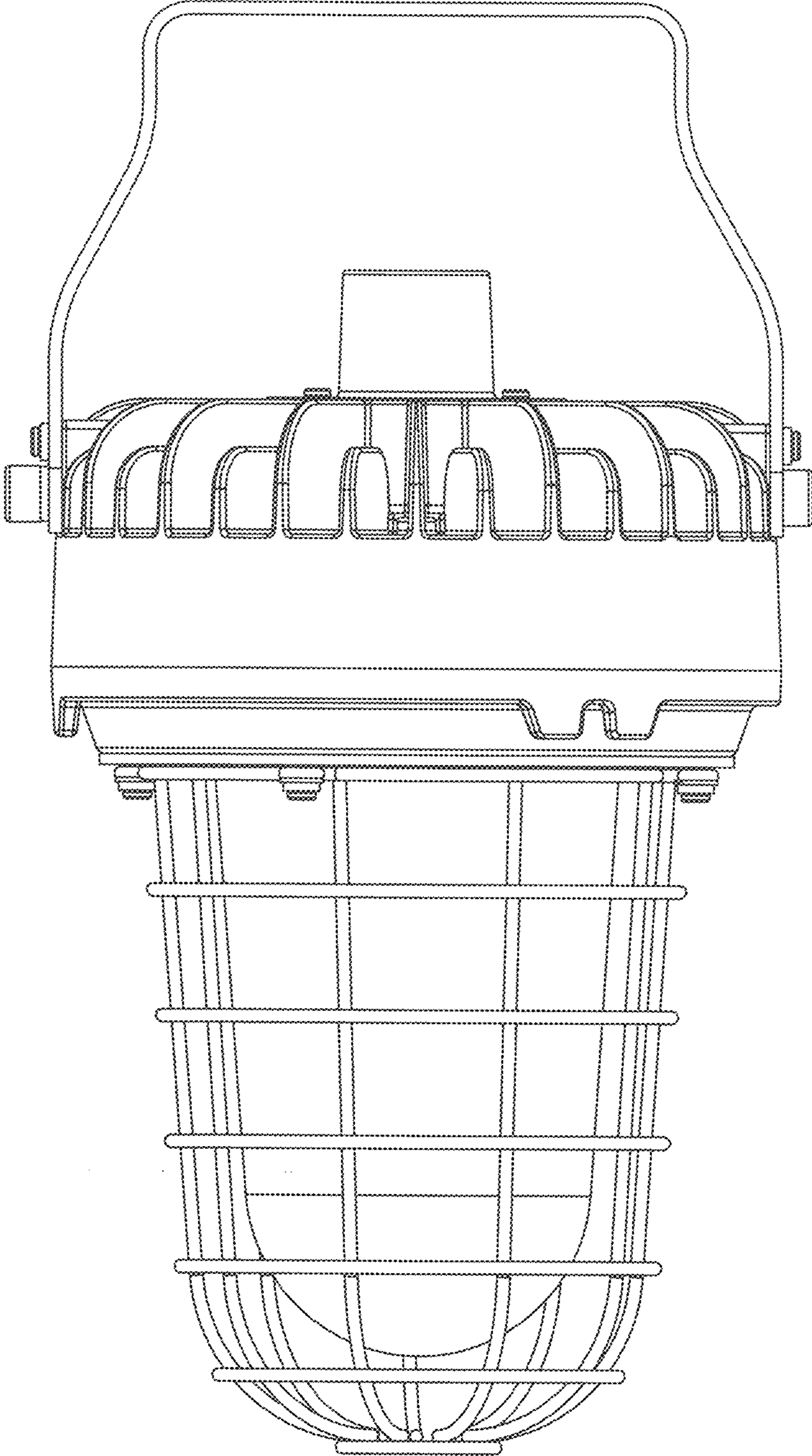


FIG. 3

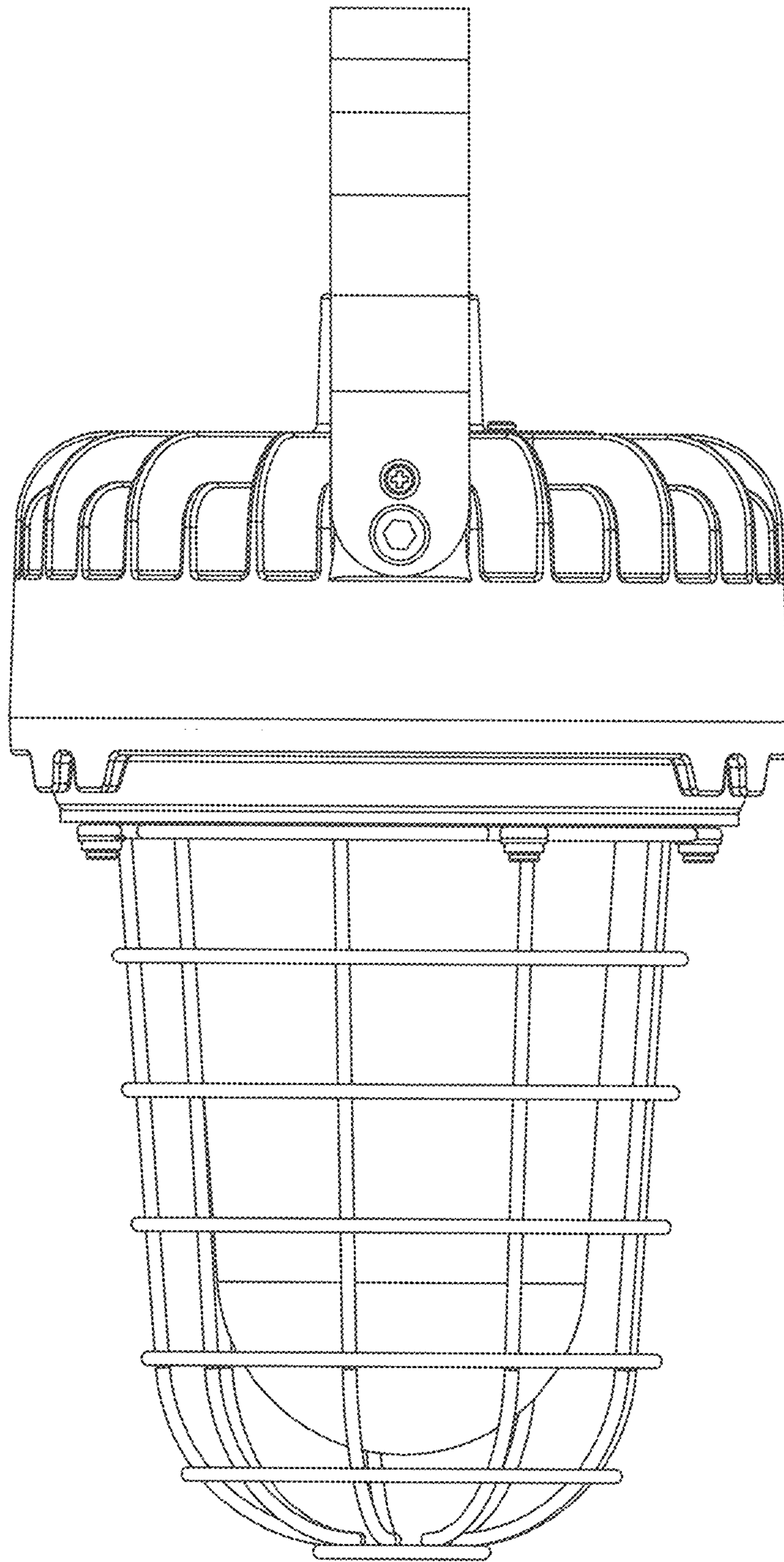


FIG. 4

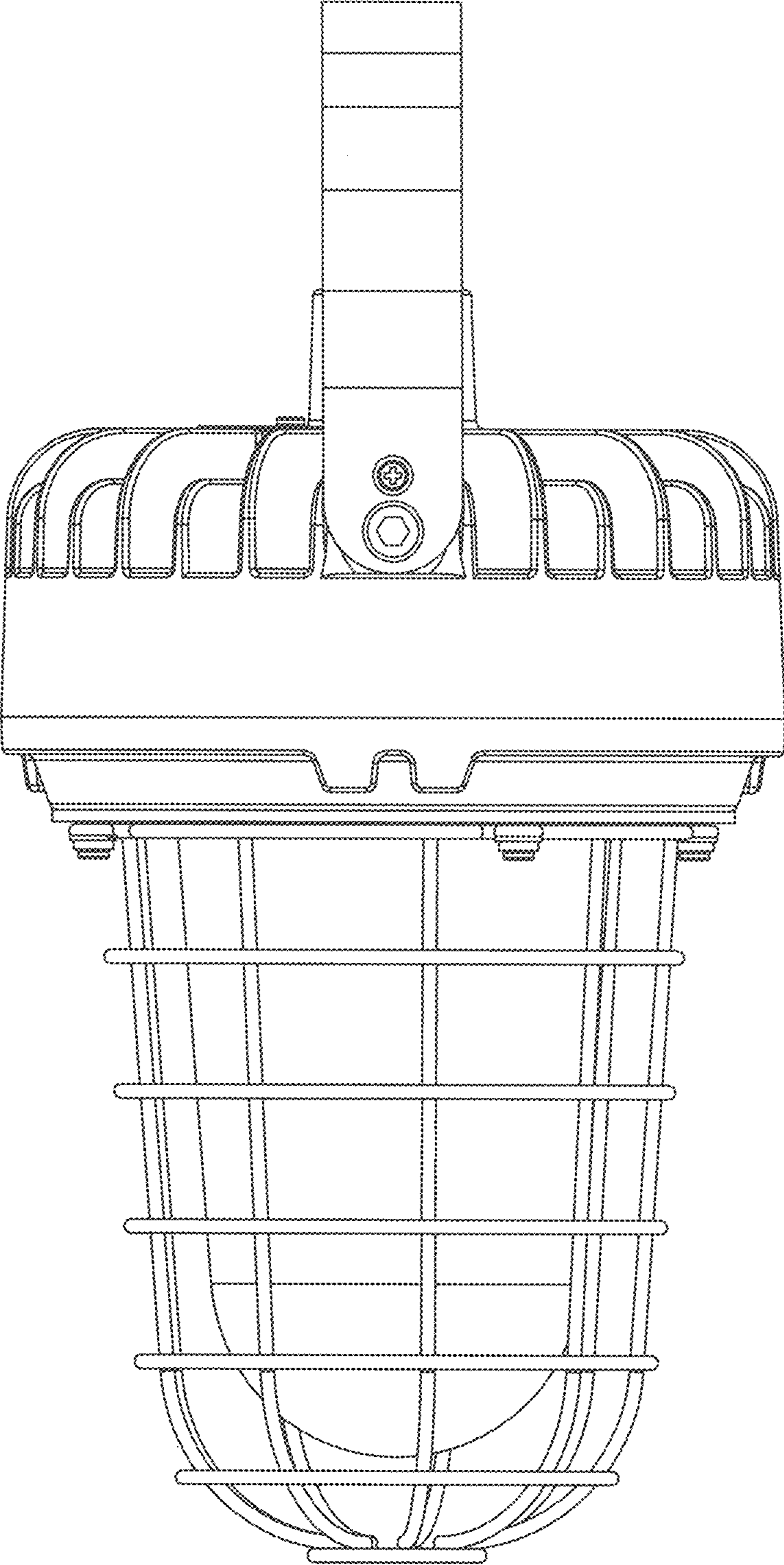


FIG. 5

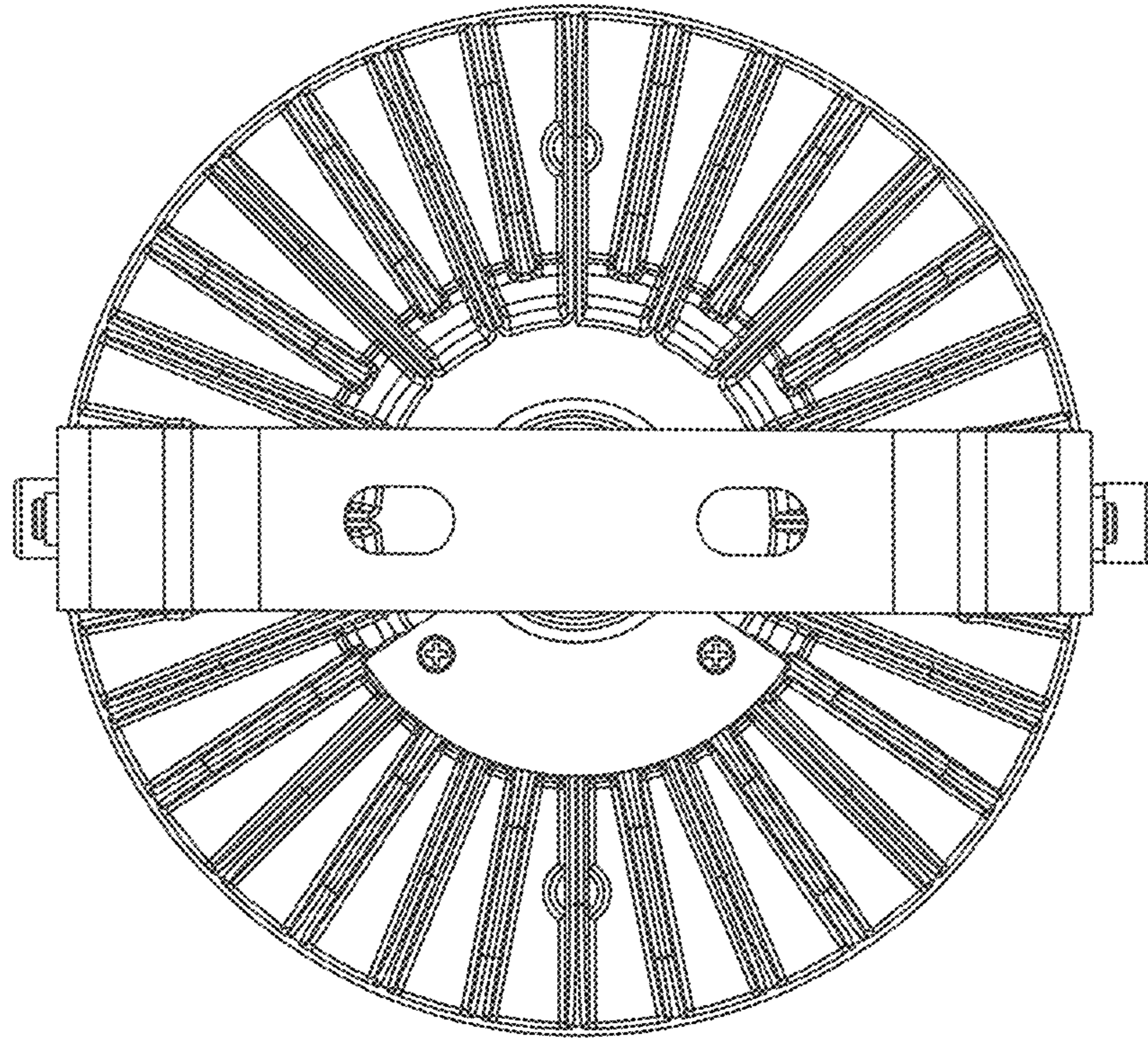


FIG. 6

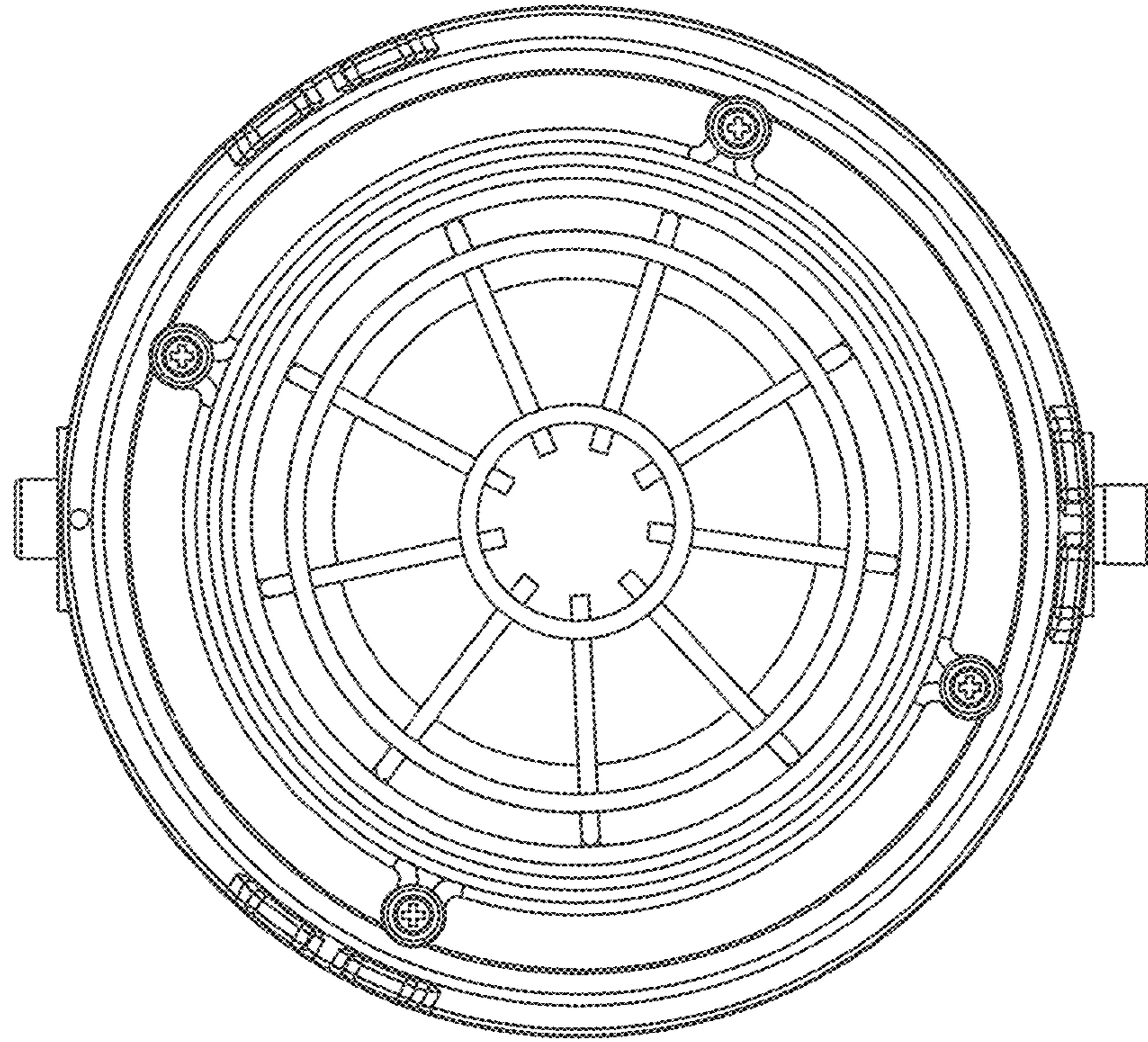


FIG. 7