



US00D972200S

(12) **United States Design Patent**
Trott et al.

(10) **Patent No.:** **US D972,200 S**
(45) **Date of Patent:** **** Dec. 6, 2022**

(54) **LIGHTING DIFFUSER**

(71) Applicant: **ABL IP Holding LLC**, Atlanta, GA (US)

(72) Inventors: **Gary Trott**, Greensboro, GA (US);
Scott Doty, Pittsburgh, PA (US)

(73) Assignee: **ABL IP Holding LLC**, Atlanta, GA (US)

(**) Term: **15 Years**

(21) Appl. No.: **29/721,977**

(22) Filed: **Jan. 24, 2020**

(51) **LOC (13) Cl.** **26-05**

(52) **U.S. Cl.**
USPC **D26/118**

(58) **Field of Classification Search**
USPC D26/1, 24, 51, 59, 93, 104, 118, 119,
D26/122, 125, 133, 134

(Continued)

(56) **References Cited**

U.S. PATENT DOCUMENTS

D40,140 S * 7/1909 Mygatt F21V 1/06
D26/134
1,570,230 A * 1/1926 Chambers, Sr. F21V 1/00
493/950

(Continued)

FOREIGN PATENT DOCUMENTS

CN 306733379 * 8/2021

OTHER PUBLICATIONS

Amazon, "Adesso Home 4046-01 Transitional Two Light Floor Lamp", first available Jan. 26, 2010. (<https://www.amazon.com/dp/B0035492OS/>) (Year: 2010).*

(Continued)

Primary Examiner — Lauren D McVey

Assistant Examiner — Justin A Johnson

(74) *Attorney, Agent, or Firm* — Kilpatrick Townsend & Stockton LLP

(57) **CLAIM**

The ornamental design for a lighting diffuser, as shown and described.

DESCRIPTION

FIG. 1 is a top and front perspective view of a first embodiment of a lighting diffuser according to the present design;

FIG. 2 is a left-side view of the first embodiment shown in FIG. 1, the right-side view, front-side view, and back-side views are identical to the left-side view shown;

FIG. 3 is a top view of the first embodiment shown in FIG. 1;

FIG. 4 is a bottom view of the first embodiment shown in FIG. 1;

FIG. 5 is a top and front perspective view of a second embodiment of a lighting diffuser according to the present design;

FIG. 6 is a left-side view of the second embodiment shown in FIG. 5, the right-side view, front-side view, and back-side views are identical to the left-side view shown;

FIG. 7 is a top view of the second embodiment shown in FIG. 5;

FIG. 8 is a bottom view of the second embodiment shown in FIG. 5;

FIG. 9 is a top and front perspective view of a third embodiment of a lighting diffuser according to the present design;

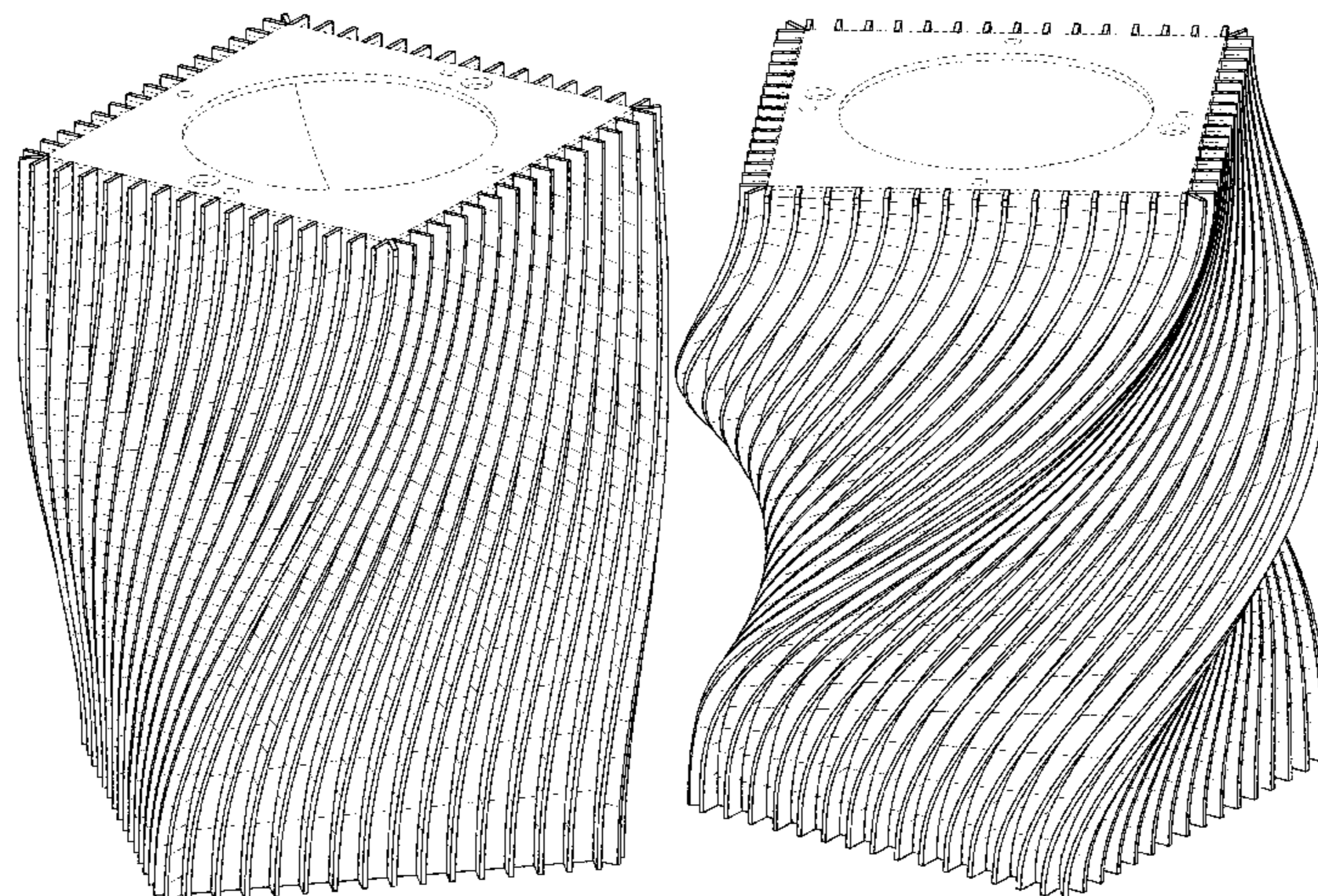
FIG. 10 is a left-side view of the third embodiment shown in FIG. 9, the right-side view, front-side view, and back-side views are identical to the left-side view shown;

FIG. 11 is a top view of the third embodiment shown in FIG. 9; and,

FIG. 12 is a bottom view of the third embodiment shown in FIG. 9.

The broken lines immediately adjacent to the shaded areas depict the bounds of the claimed design, while all other

(Continued)



broken lines illustrate unclaimed features. The broken lines form no part of the claimed design.

1 Claim, 12 Drawing Sheets

(58) **Field of Classification Search**

CPC F21L 2/00; F21L 4/00; F21L 4/02; F21L 4/025; F21L 4/027; F21L 14/00; F21S 2/00; F21S 8/03; F21S 8/033; F21S 8/035; F21S 6/00; F21S 6/002; F21S 6/004; F21S 8/036; F21S 8/037; F21S 9/00; F21S 9/02; F21V 21/10; F21V 21/108; F21W 2121/008

See application file for complete search history.

(56) **References Cited**

U.S. PATENT DOCUMENTS

D384,768 S * 10/1997 Von Kluck F21V 1/04
D26/111
D485,006 S * 1/2004 Huang D26/118
D586,496 S * 2/2009 Flindt D26/118

D614,798 S * 4/2010 Sabernig D26/110
D756,555 S * 5/2016 Gunawan D26/94
D911,590 S * 2/2021 Muller D26/110
D928,389 S * 8/2021 Trott D26/118
D928,390 S * 8/2021 Trott F21V 1/00
D26/118
2007/0091619 A1* 4/2007 Lee F21V 1/06
362/279
2012/0020069 A1* 1/2012 Chang F21V 5/02
362/311.06
2018/0017229 A1* 1/2018 Swanson F21V 1/04

OTHER PUBLICATIONS

Amazon, "Royal Designs Twisted Pleat Basic Lamp Shade", first available Apr. 8, 2014. (<https://www.amazon.com/Royal-Designs-Twisted-Pleat-Basic/dp/B00JJQFC8Q?th=1>) (Year: 2014).*

Youtube, "Twisted Column Paper Lamp Fold", first available Oct. 6, 2014. (<https://www.youtube.com/watch?v=ltYVP8OTtyM>) (Year: 2014).*

Amazon, "LEONC Design 65" Creative LED Floor Lamp", first available Jul. 1, 2016. (<https://www.amazon.com/dp/B07VF82JPJ/?th=1>) (Year: 2016).*

* cited by examiner

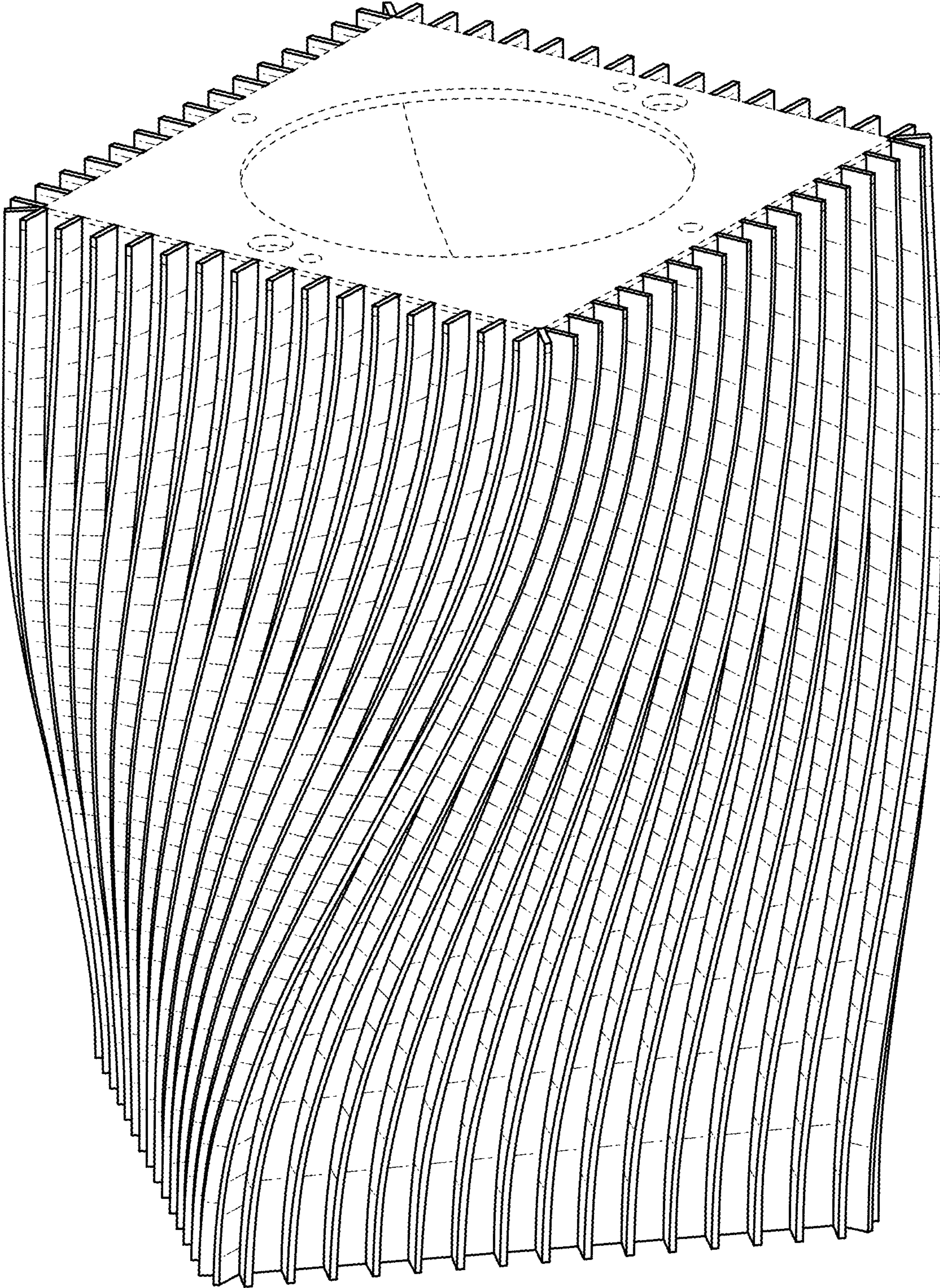


FIG. 1

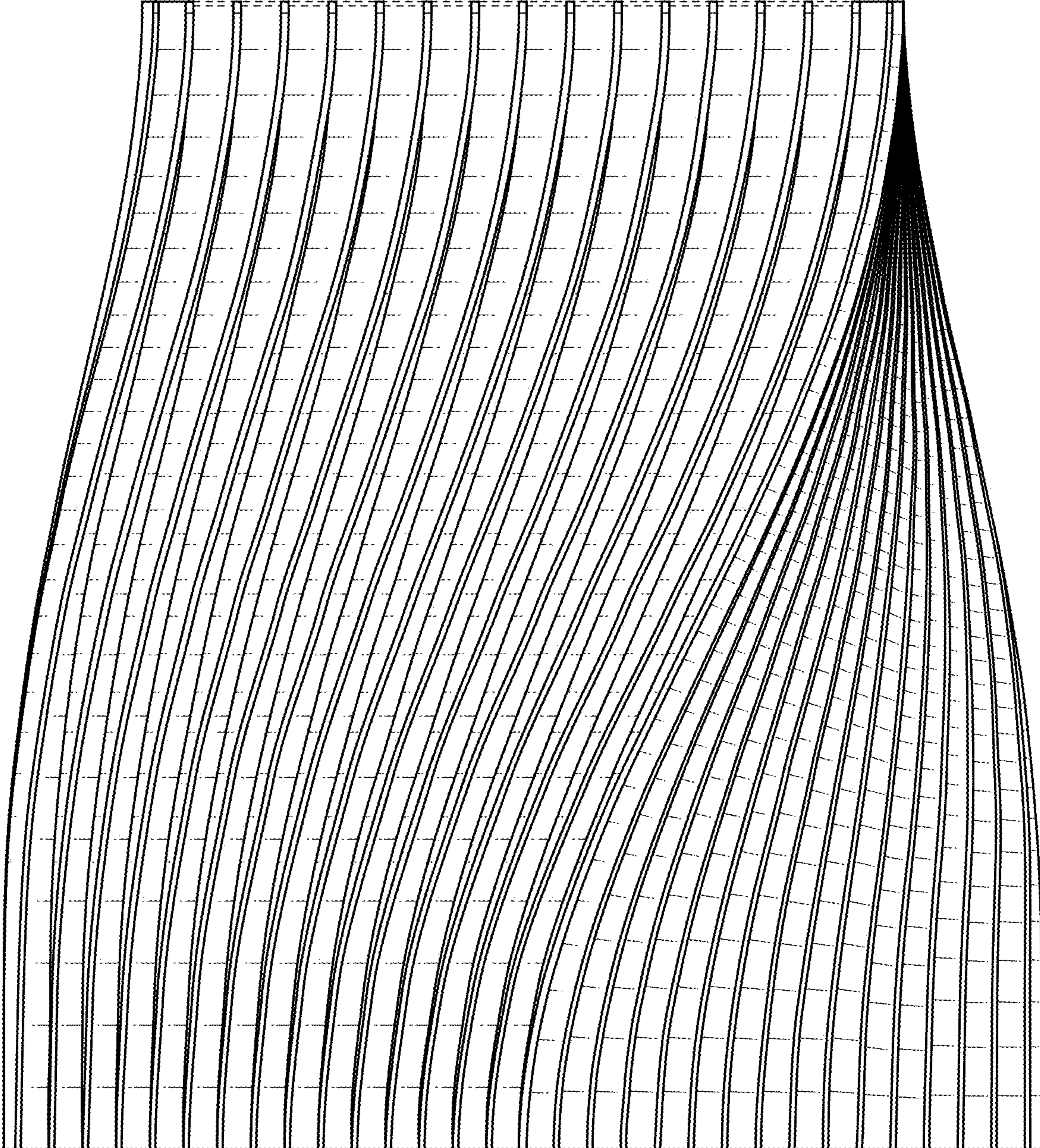


FIG. 2

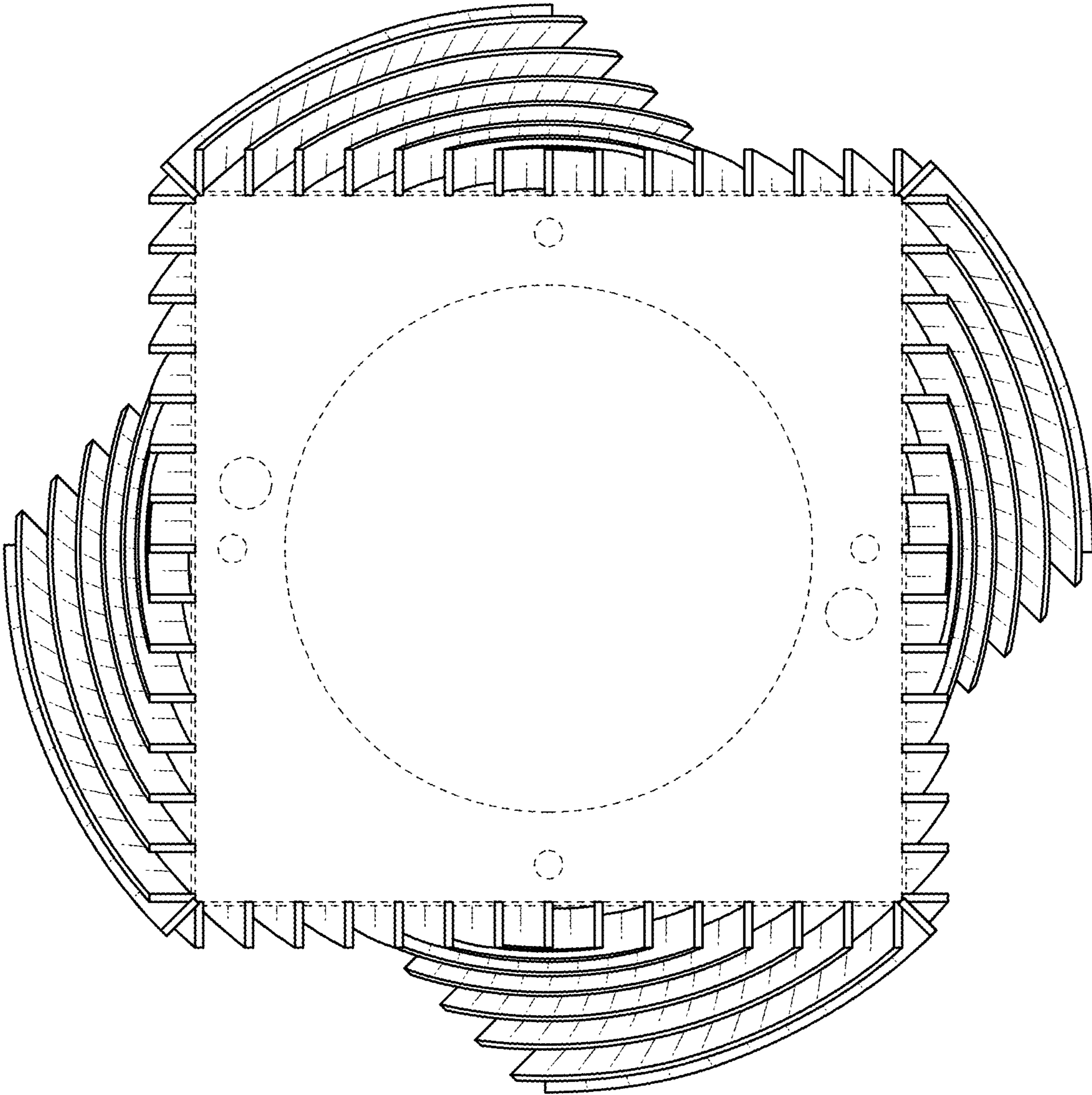


FIG. 3

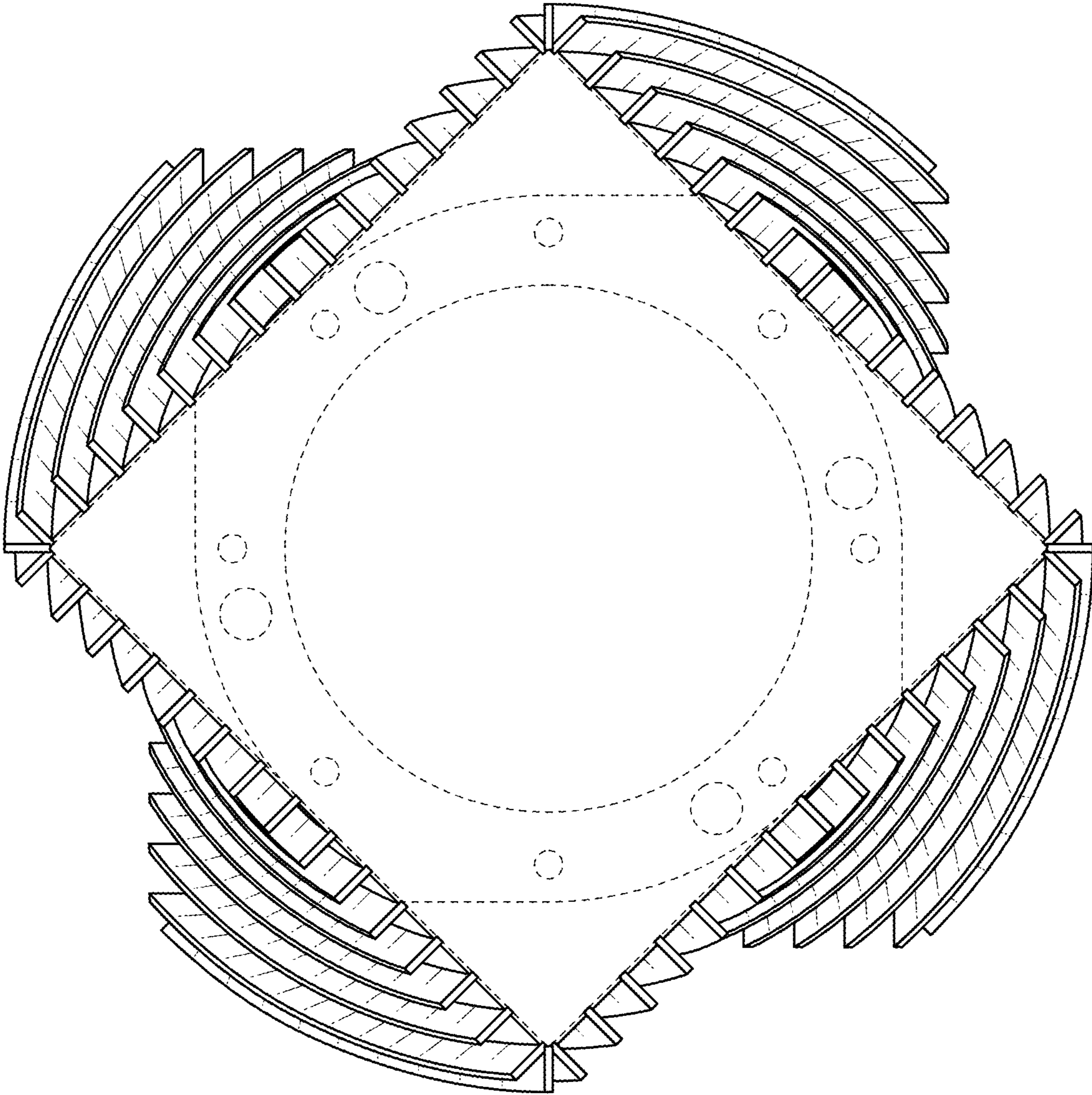


FIG. 4

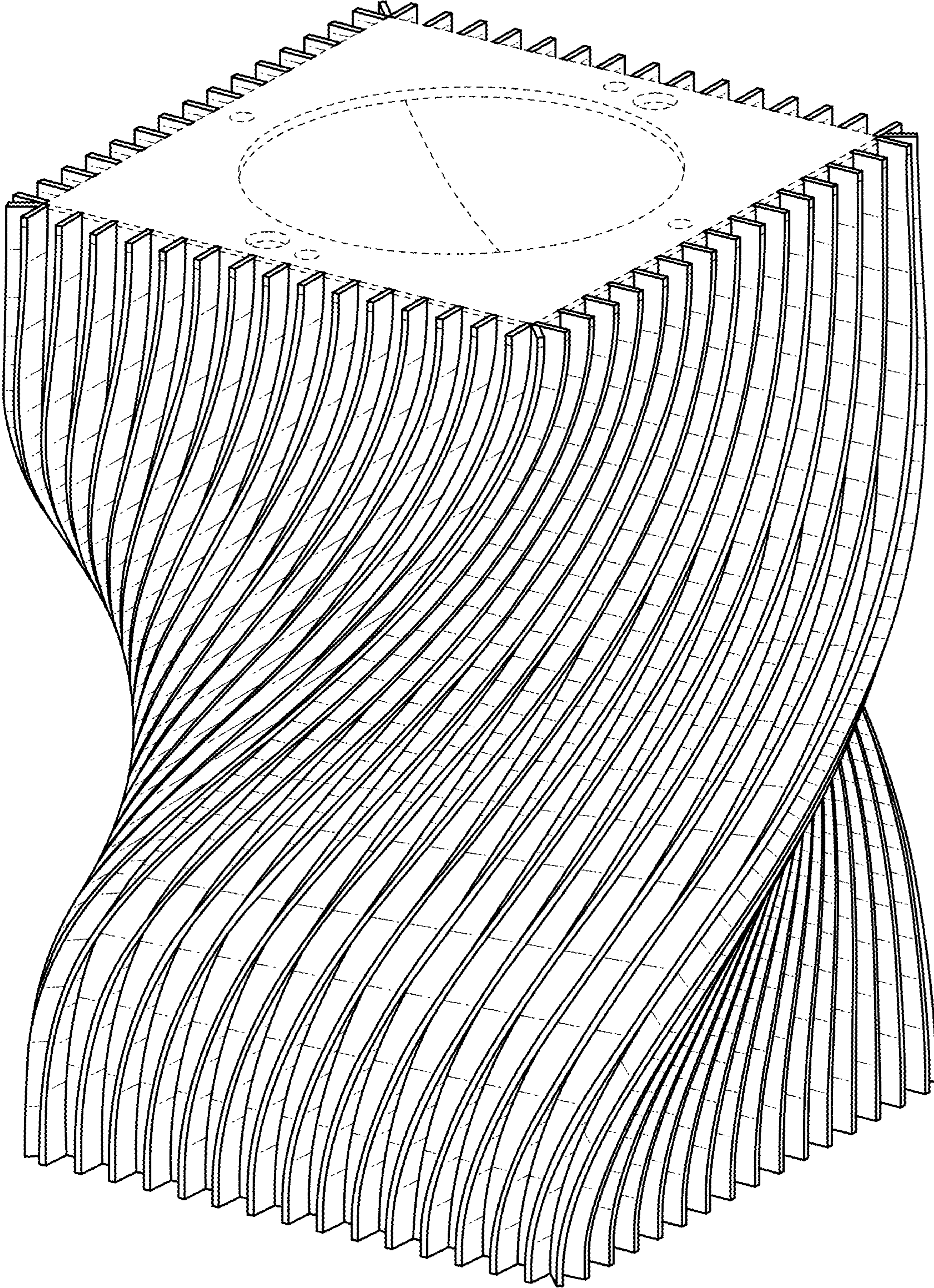


FIG. 5

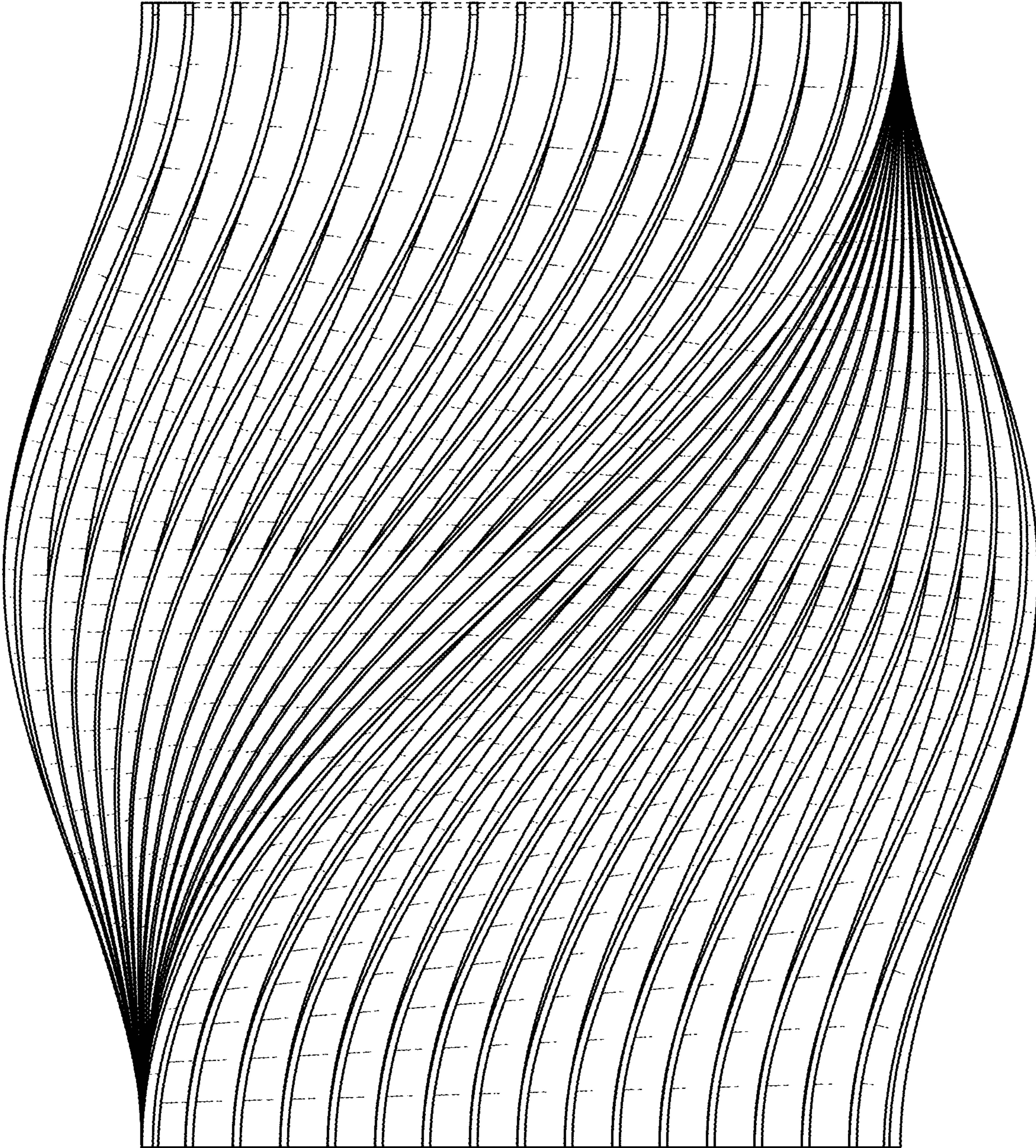


FIG. 6

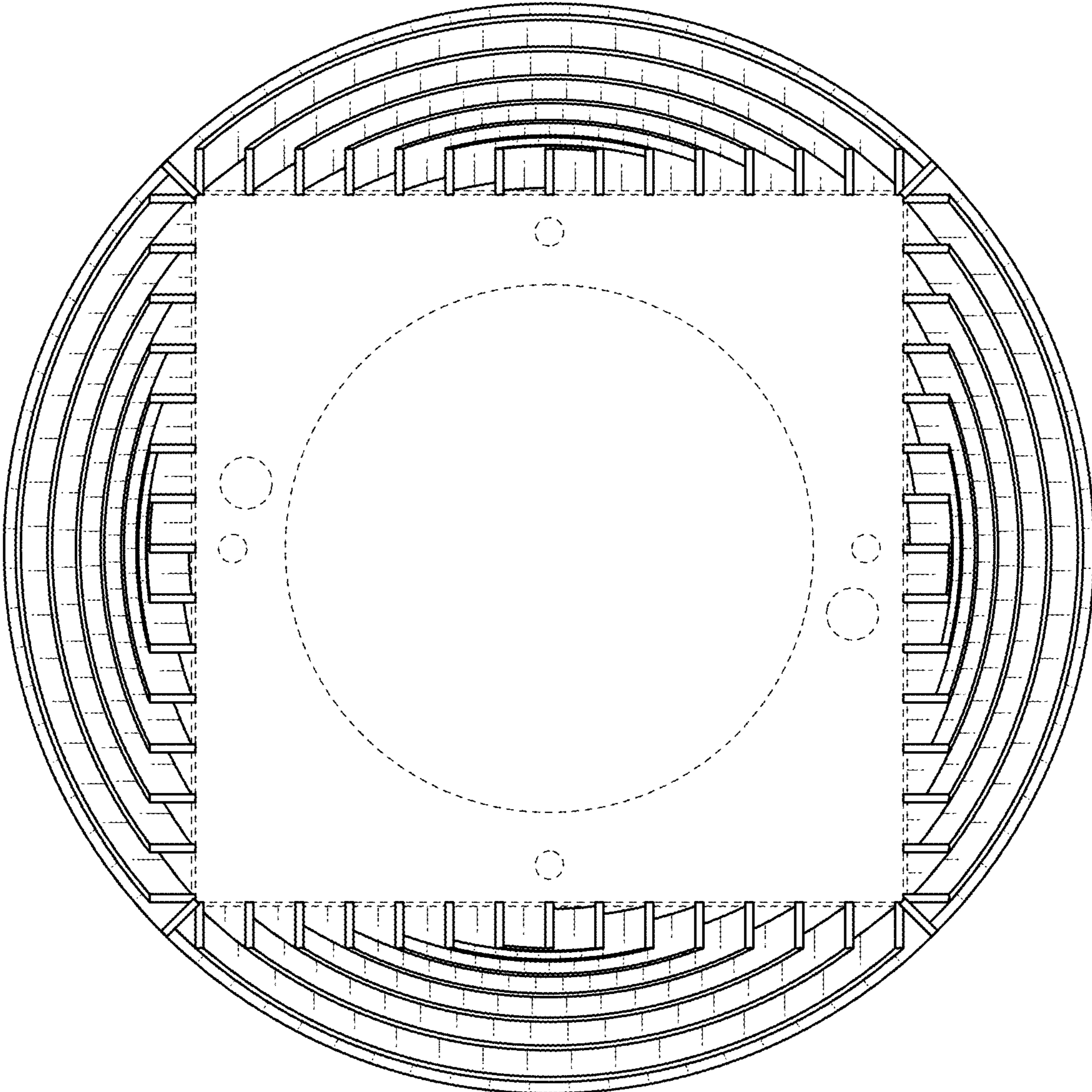


FIG. 7

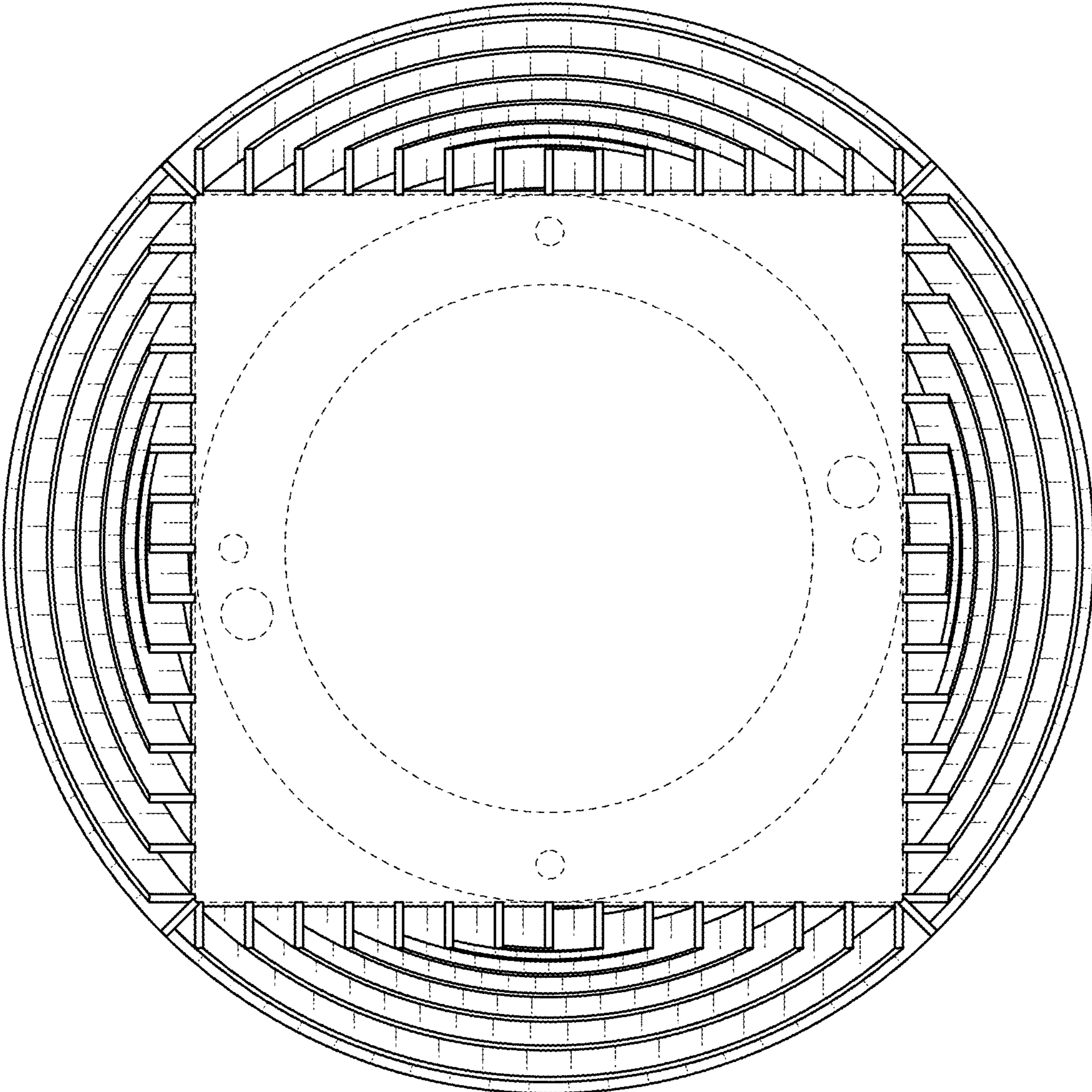


FIG. 8

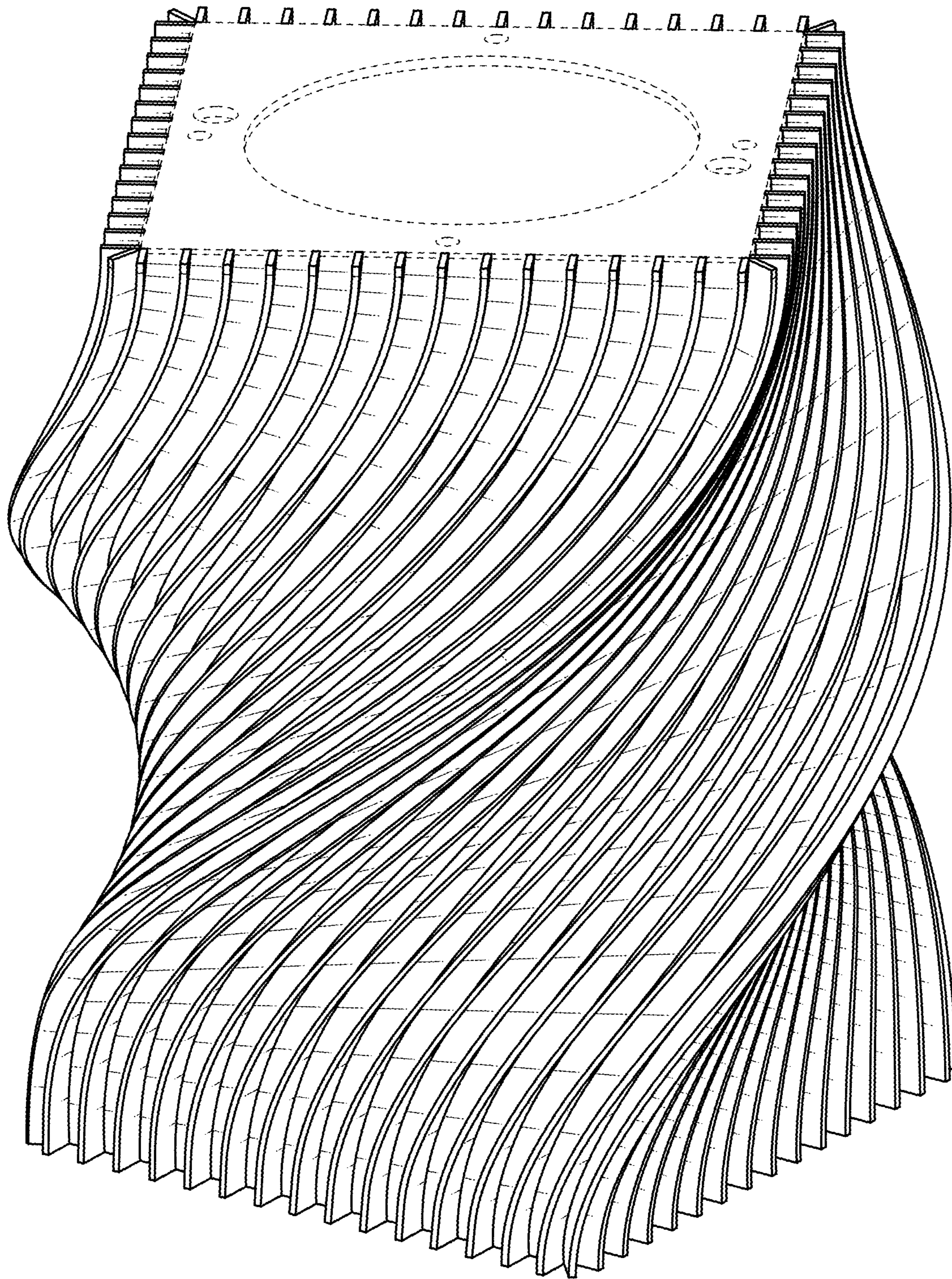


FIG. 9

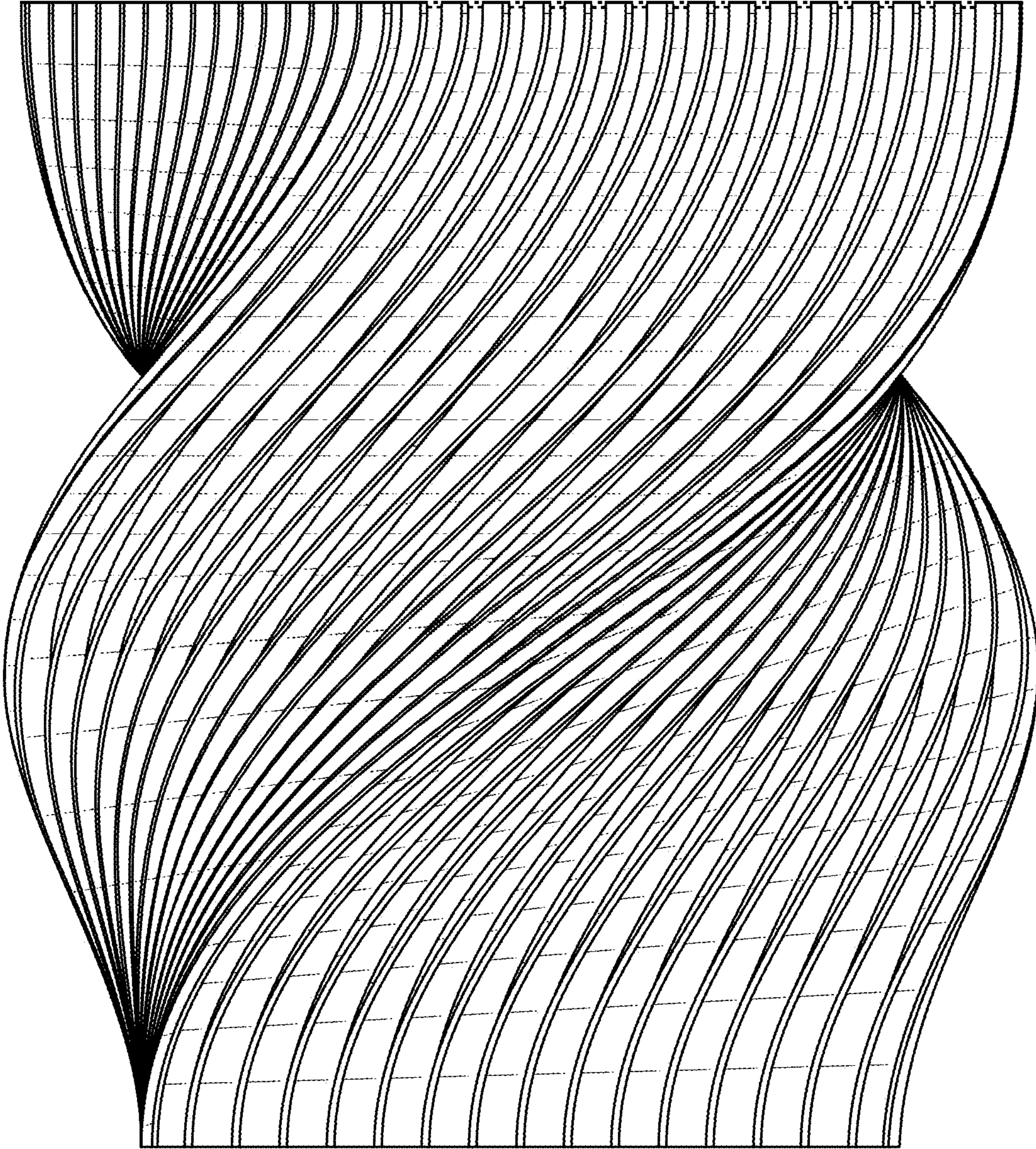


FIG. 10

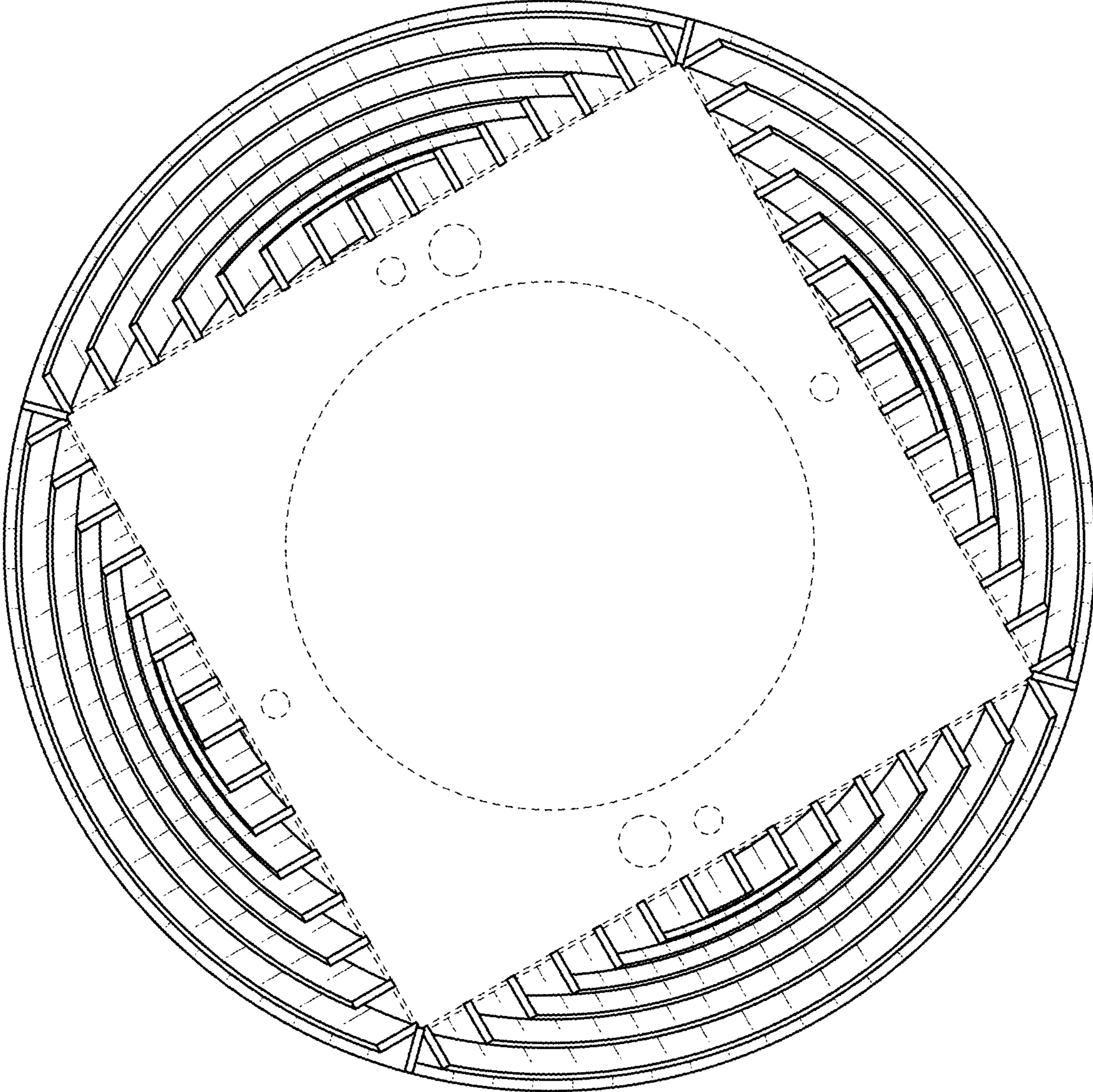


FIG. 11

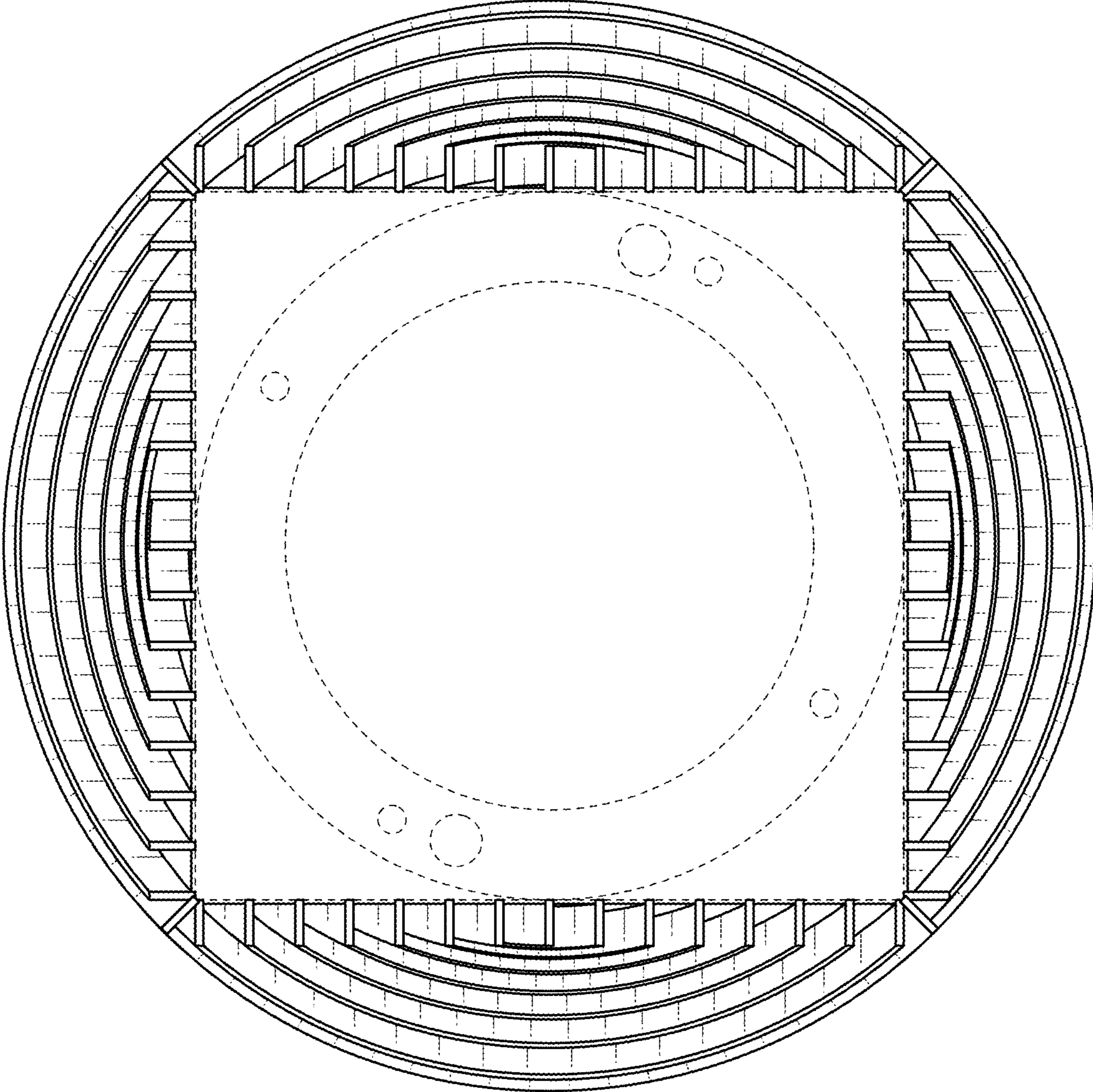


FIG. 12