



US00D972199S

(12) **United States Design Patent** (10) **Patent No.:** **US D972,199 S**
Singh (45) **Date of Patent:** **** Dec. 6, 2022**

(54) **LIGHTING STRUCTURE**
(71) Applicant: **Ekamdeep Singh**, Indianapolis, IN (US)
(72) Inventor: **Ekamdeep Singh**, Indianapolis, IN (US)
(**) Term: **15 Years**
(21) Appl. No.: **29/715,436**
(22) Filed: **Dec. 2, 2019**
(51) **LOC (13) Cl.** **26-04**
(52) **U.S. Cl.**
USPC **D26/113; D26/2**
(58) **Field of Classification Search**
USPC D10/114.4; D13/133, 139.2, 152, 155;
D14/126, 127, 134, 371, 373, 435-438;
D25/119, 121, 123, 125; D26/1, 2, 24,
D26/27, 72, 74-78, 80-83, 85-86, 88-90,
D26/113, 118, 120-122, 138, 141
CPC F21S 8/00; F21S 8/03; F21S 8/031; F21S
8/036; F21S 8/04; F21S 8/043; F21S
8/046; F21S 8/06; F21S 8/063; F21V
3/049; F21V 7/00; F21V 7/0016; F21V
7/0041; F21V 7/005; F21V 7/0083; F21V
23/001

See application file for complete search history.

(56) **References Cited**

U.S. PATENT DOCUMENTS

2,597,286 A * 5/1952 Frank H01R 24/76
D13/152
D334,990 S * 4/1993 Sekiguchi D26/1
D516,229 S * 2/2006 Tang D26/2
D587,384 S * 2/2009 Wei D26/2
D631,572 S * 1/2011 Choi D26/2
D640,983 S * 7/2011 Alves D13/184
D645,996 S 9/2011 Wey et al.

D696,437 S 12/2013 Webb et al.
D698,052 S * 1/2014 Li D26/2
D730,293 S * 5/2015 Wu D13/147
D737,807 S * 9/2015 Jekl D14/257
D771,845 S 11/2016 Chen et al.
D866,010 S * 11/2019 Niizeki D26/1
D874,625 S * 2/2020 Takahashi D23/354
D886,746 S * 6/2020 Anadasu D13/152
2014/0196927 A1 * 7/2014 Craig H02G 5/025
174/68.2

OTHER PUBLICATIONS

Commercial Lighting, date unavailable, retrieved on Jul. 1, 2022 from URL: <https://www.ikiotedlighting.com/getcategory/commercial-lighting> (Year: 2022).*
Sunyang Group Co., 10W G12 LED Spotlight, retrieved Nov. 23, 2019 <https://www.ecvv.com/product/4553499.html>; 3 pgs.

(Continued)

Primary Examiner — Richard Kearney
Assistant Examiner — Christina M. Dodson
(74) *Attorney, Agent, or Firm* — Dinsmore & Shohl LLP

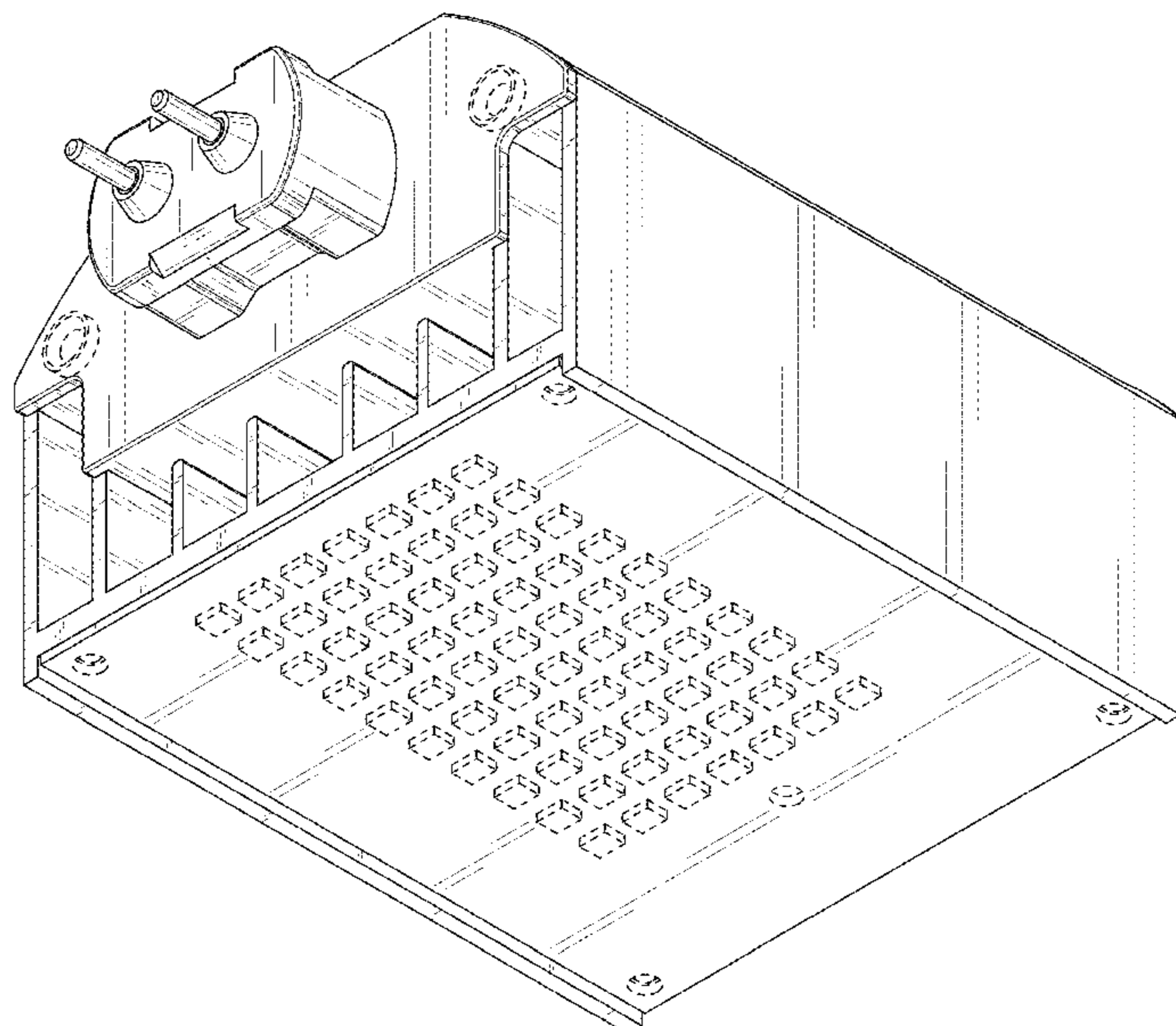
(57) **CLAIM**

The ornamental design for a lighting structure, as shown and described.

DESCRIPTION

FIG. 1 is a perspective view of a lighting structure showing my new design;
FIG. 2 is a rear elevational view thereof;
FIG. 3 is a front elevational view thereof;
FIG. 4 is a left side elevational view thereof;
FIG. 5 is a right side elevational view thereof;
FIG. 6 is a top plan view thereof; and,
FIG. 7 is a bottom plan view thereof.
The broken lines in the drawings depict portions of the lighting structure that form no part of the claimed design.

1 Claim, 7 Drawing Sheets



(56)

References Cited

OTHER PUBLICATIONS

Philips MasterColour CDM-T, MasterColour CDM-T 70W/830 G12 1CT/12; Datasheet, Nov. 11, 2019; 4 pgs.

Philips Lighting MasterColor CDM-Tm Elite Mini 20W/830 GU6. 5.1 CT; Datasheet, Jul. 23, 2018; 3 pgs.

Philips MasterColour CDM-TC 35W/830 G8.5 1 CT/12; Datasheet, Oct. 8, 2019, 4 pgs.

* cited by examiner

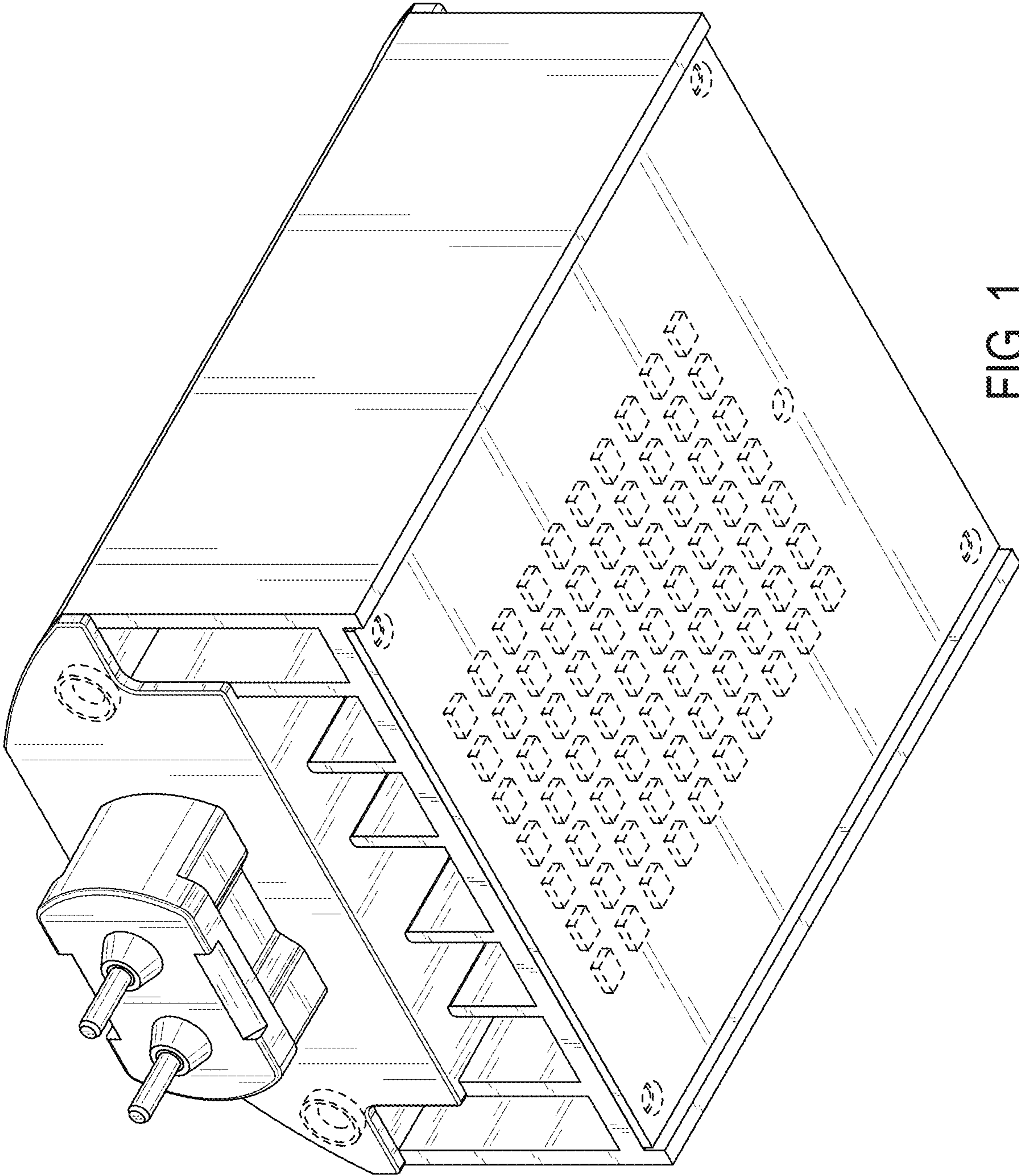


FIG. 1

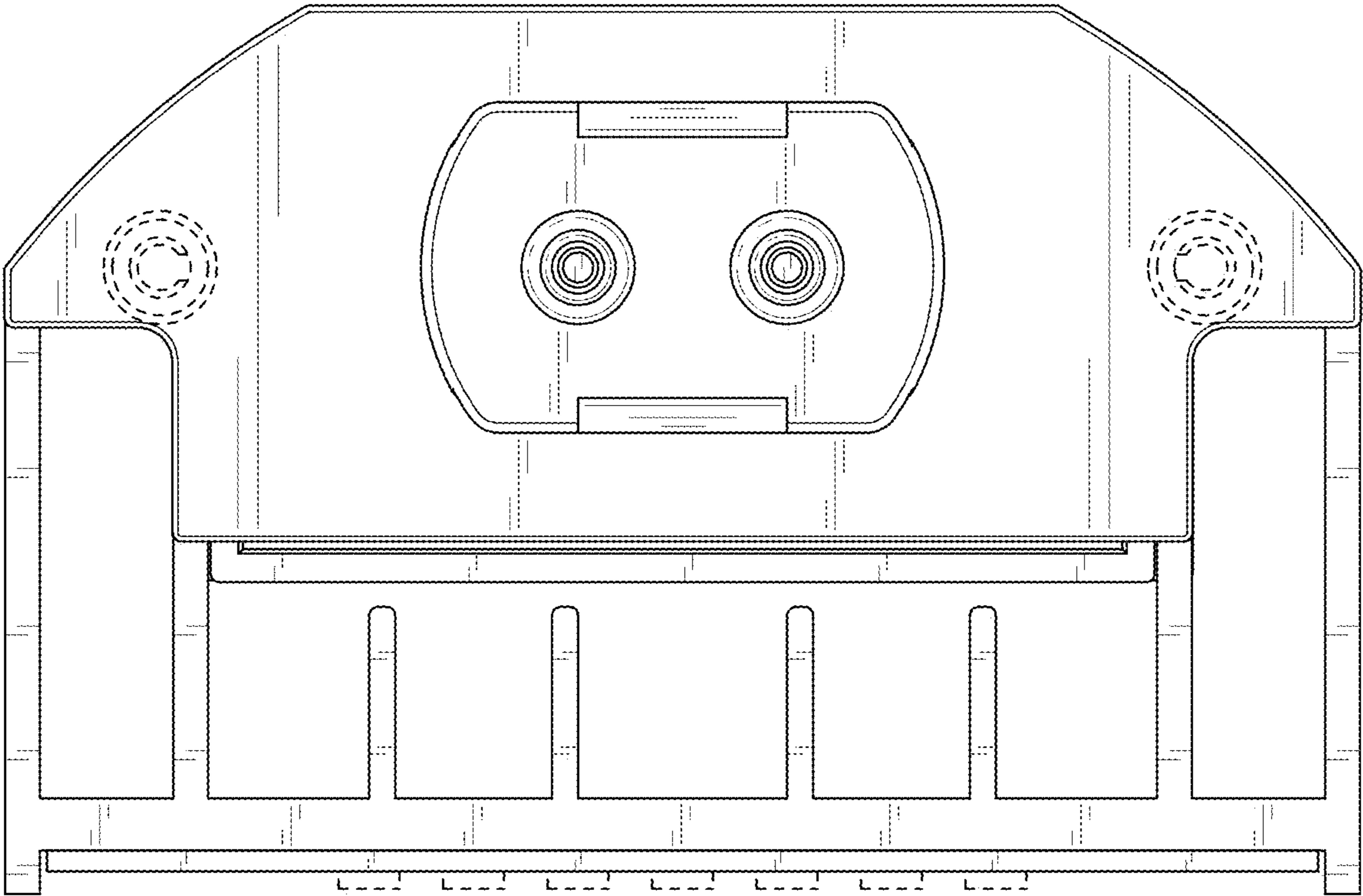


FIG. 2

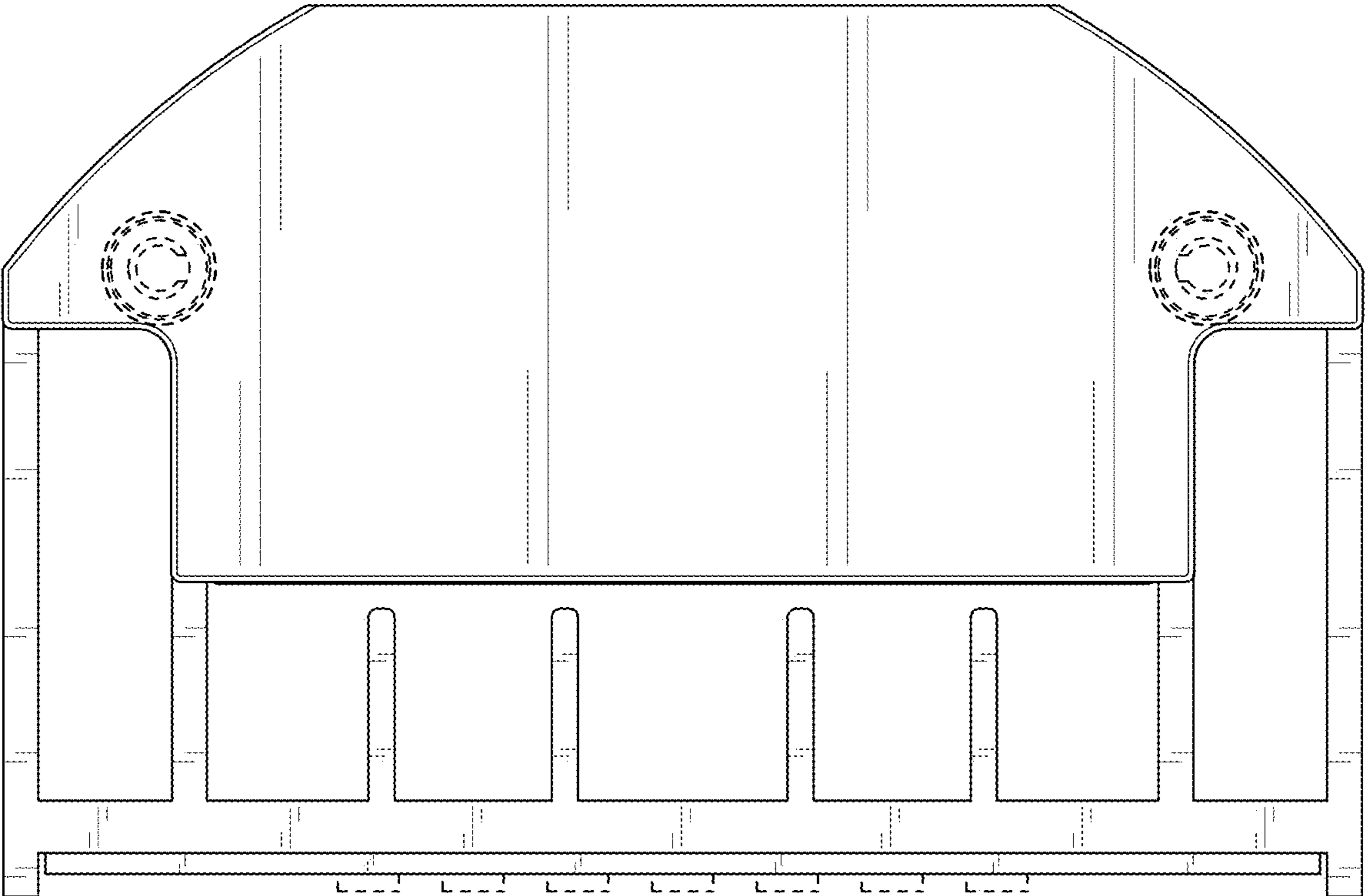


FIG. 3

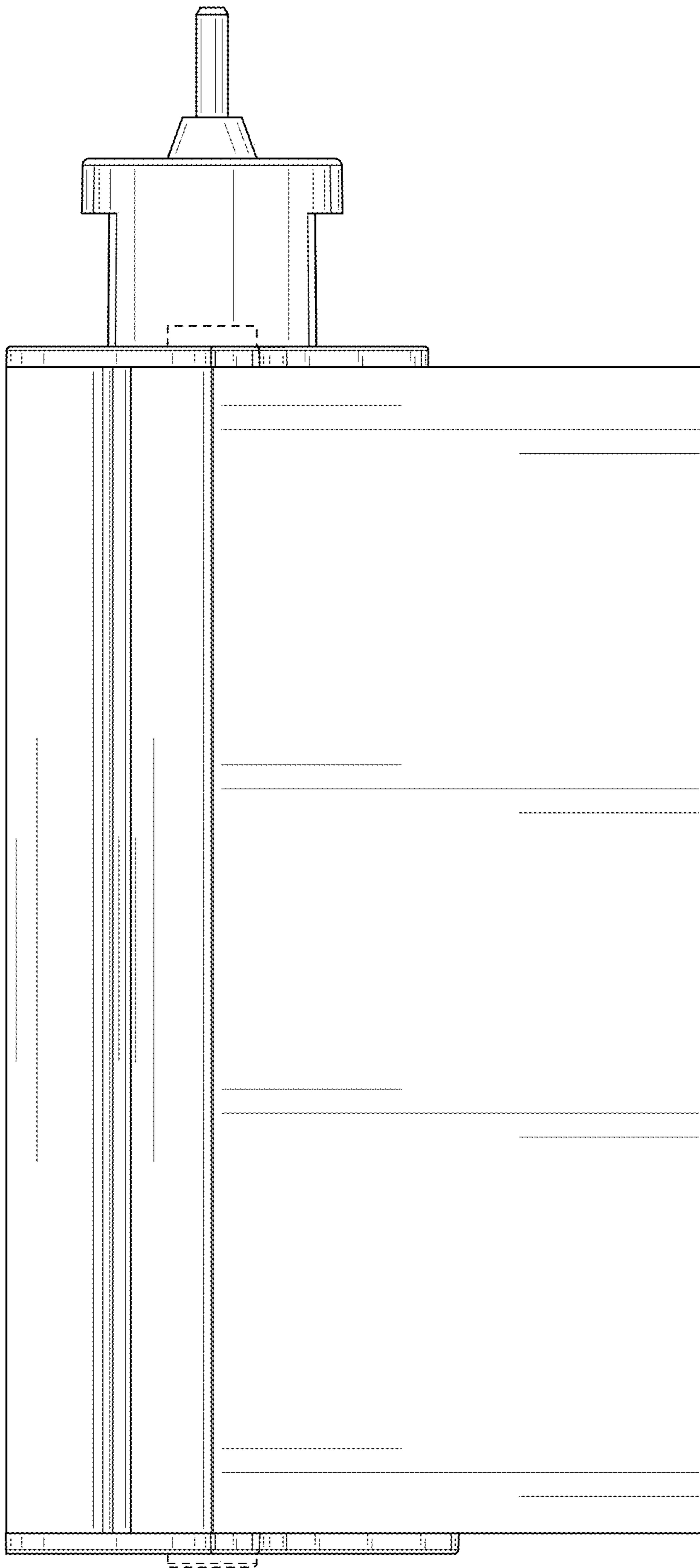


FIG. 4

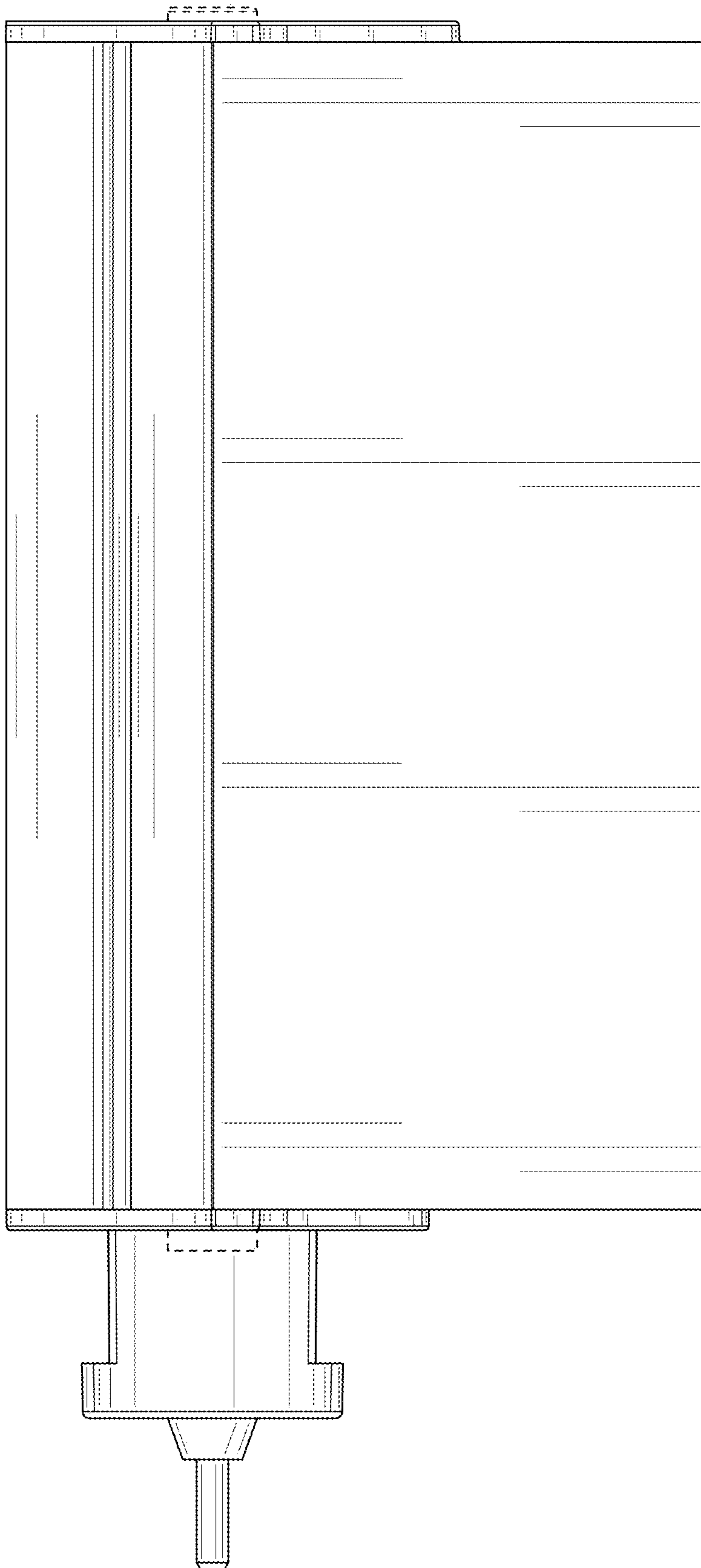


FIG. 5

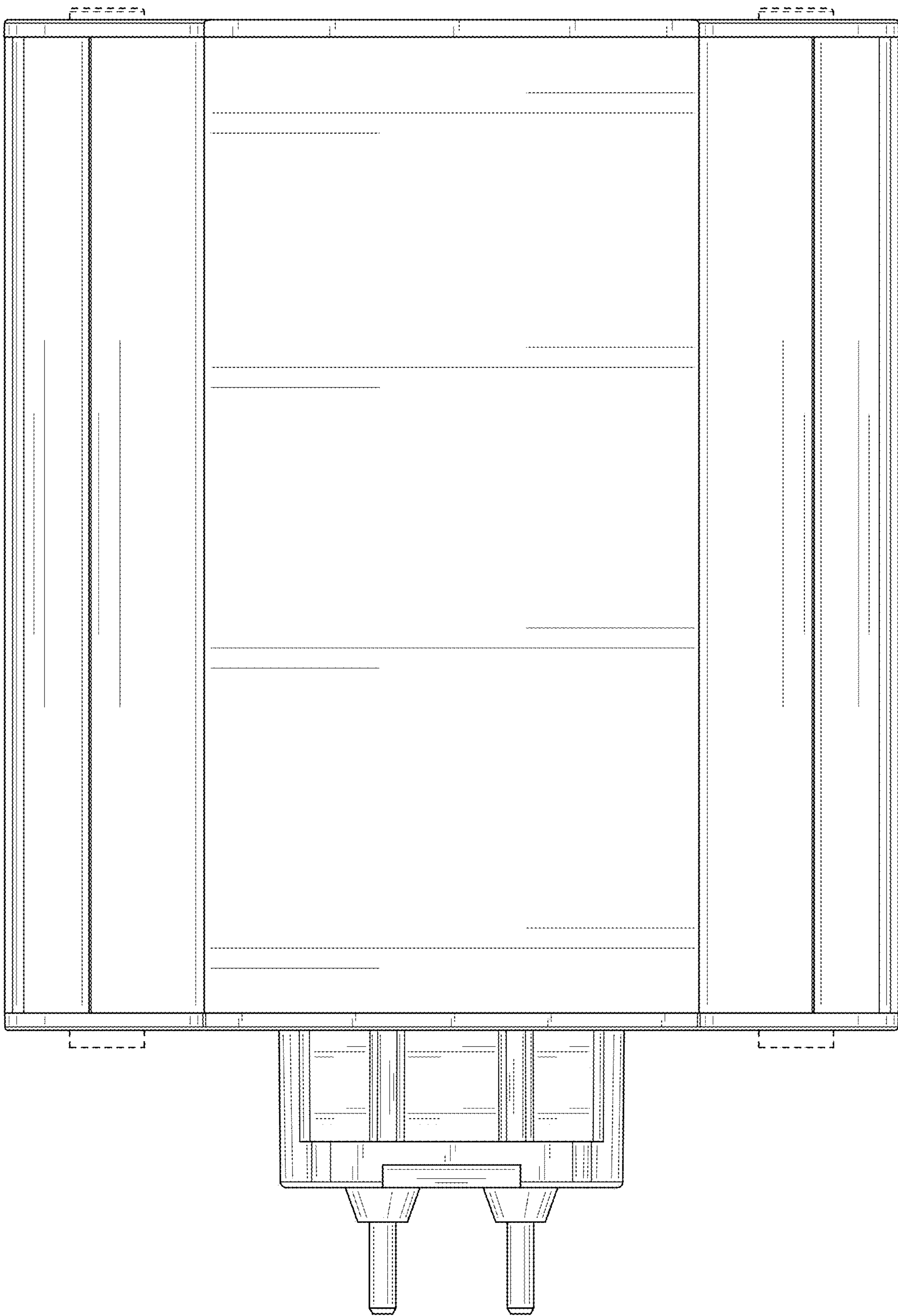


FIG. 6

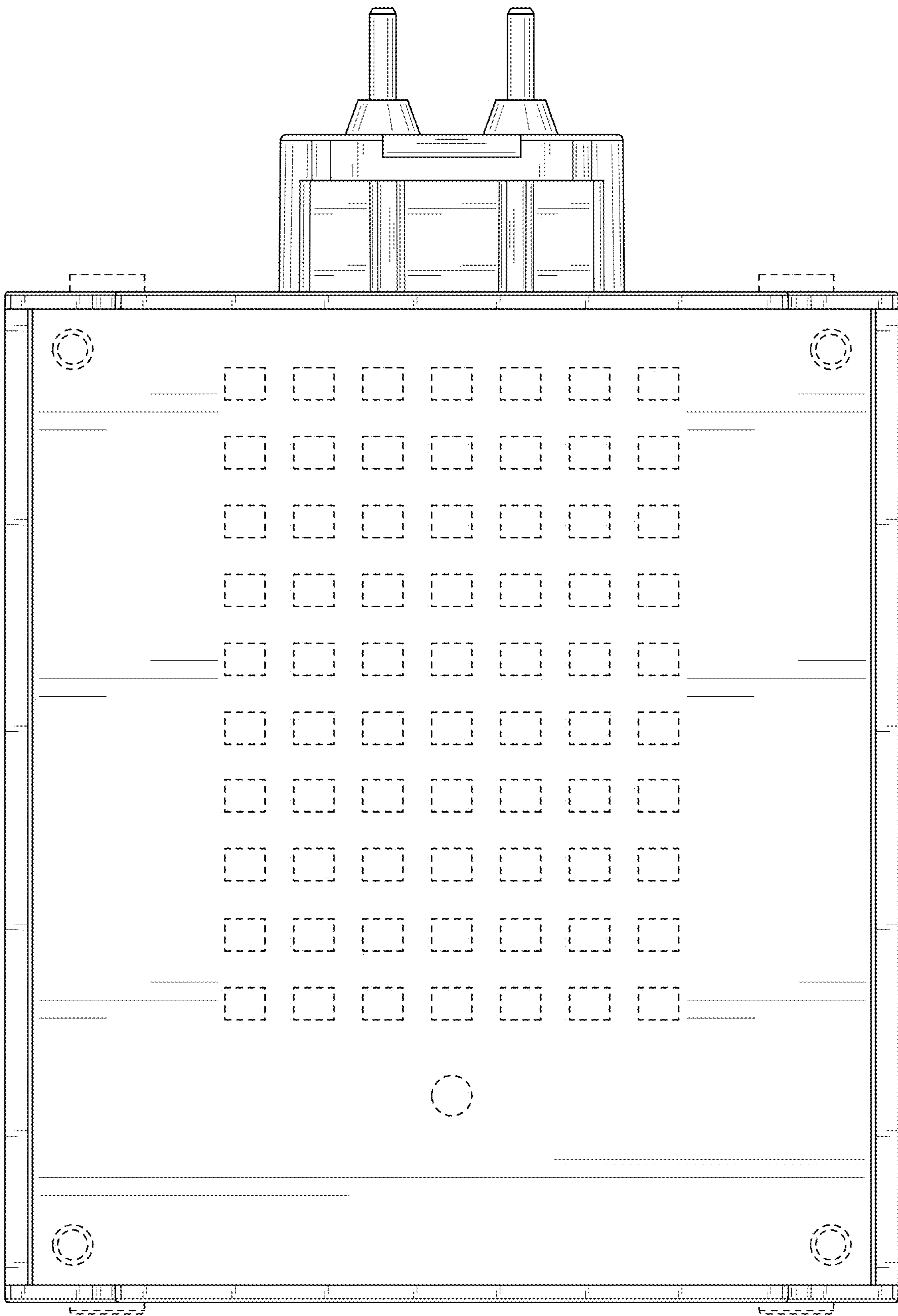


FIG. 7