



US00D972197S

(12) **United States Design Patent** (10) **Patent No.:** **US D972,197 S**  
**Huang** (45) **Date of Patent:** **\*\* Dec. 6, 2022**

(54) **TABLE LAMP**

(71) Applicant: **HOUSE & HOME DECOR CO., LIMITED**, Hong Kong (HK)

(72) Inventor: **Jinping Huang**, Guangzhou (CN)

(73) Assignee: **HOUSE & HOME DECOR CO., LIMITED**, Hong Kong (HK)

(\*\*) Term: **15 Years**

(21) Appl. No.: **29/803,515**

(22) Filed: **Aug. 13, 2021**

(51) **LOC (13) Cl.** ..... **26-05**

(52) **U.S. Cl.**  
USPC ..... **D26/106; D26/93**

(58) **Field of Classification Search**  
USPC ..... D26/24, 93, 104, 106, 107, 108, 110, D26/112, 113, 118, 138  
CPC .... F21S 6/00; F21S 6/002; F21S 6/003; F21S 6/004; F21S 6/005; F21S 6/006; F21S 6/007; F21S 6/008; F21V 1/00; F21V 1/02; F21V 1/14; F21V 3/00  
See application file for complete search history.

(56) **References Cited**

**U.S. PATENT DOCUMENTS**

D434,173 S *	11/2000	Rochon	.....	D26/108
D510,776 S *	10/2005	Quentin	.....	F21V 23/001
				D26/111
D575,897 S *	8/2008	Dordoni	.....	D26/112
D577,859 S *	9/2008	Chandler	.....	D26/142
D579,603 S *	10/2008	Dordoni	.....	D26/112
D609,392 S *	2/2010	Salatto-Rose	.....	D26/106
D642,322 S *	7/2011	Eusterbrock	.....	D26/93
D642,323 S *	7/2011	Eusterbrock	.....	D26/93
D748,844 S *	2/2016	Kern	.....	D26/106
D749,771 S *	2/2016	Kern	.....	D26/106
D749,772 S *	2/2016	Kern	.....	D26/106
D774,240 S *	12/2016	Velez	.....	D26/106

D819,874 S *	6/2018	Lee	.....	D26/111
D847,413 S *	4/2019	Tsai	.....	D26/111
D914,956 S	3/2021	Chen		
D925,098 S *	7/2021	Luo	.....	D26/93
D952,223 S *	5/2022	Chen	.....	D26/93
2018/0356078 A1*	12/2018	Rolf	.....	F21V 23/001
2019/0049082 A1*	2/2019	Ho	.....	F21S 10/002

**FOREIGN PATENT DOCUMENTS**

CN 306994905 \* 12/2021

**OTHER PUBLICATIONS**

Kenroy Home Design Craft Balance Table Lamp, Aug. 8, 2012, Amazon.ca, site visited Jul. 20, 2022, url: <https://www.amazon.ca/dp/B004Z1YKYC/> (Year: 2012).\*

(Continued)

*Primary Examiner* — T Chase Nelson

*Assistant Examiner* — Rachel Wolfe

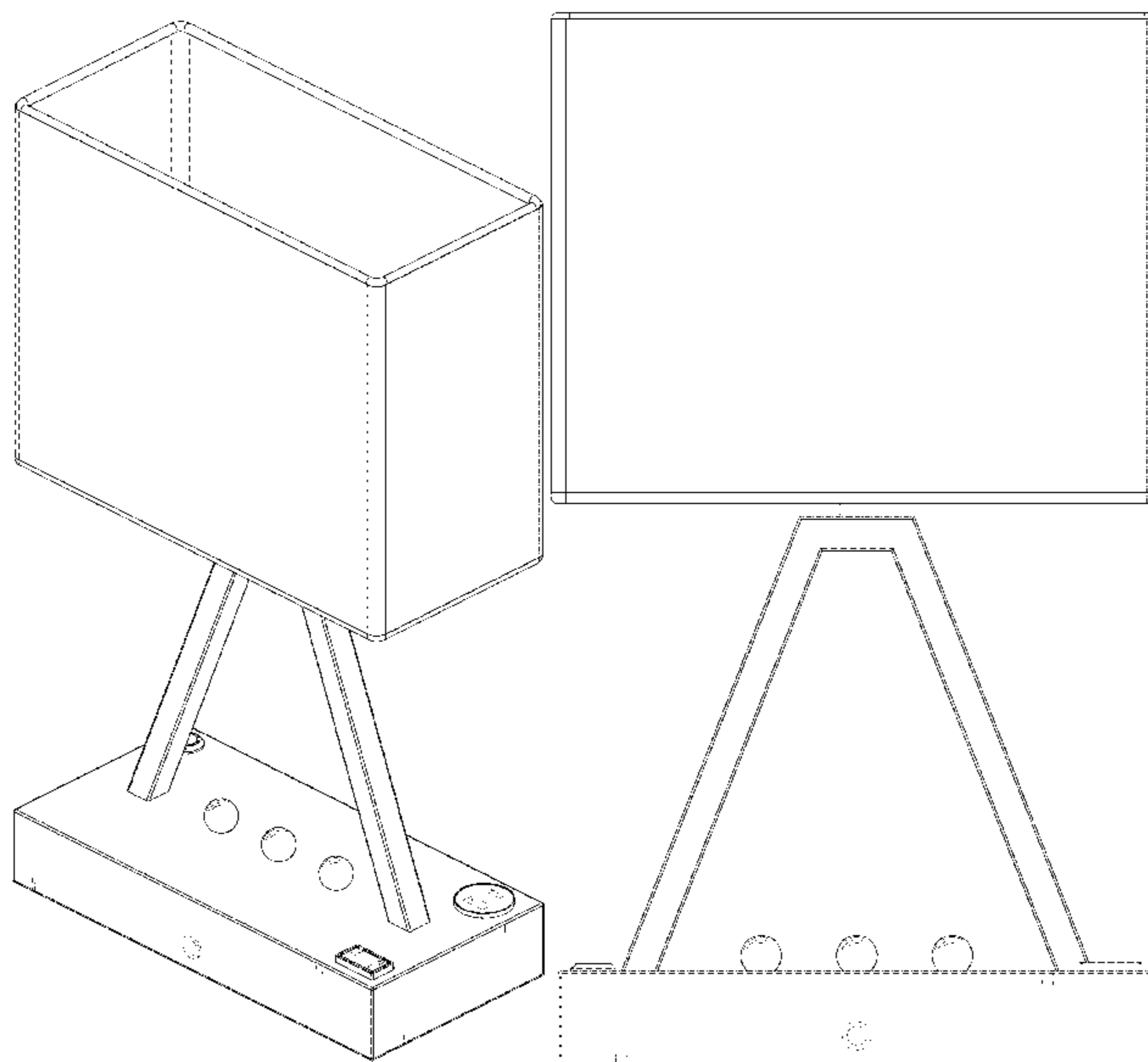
(57) **CLAIM**

The ornamental design for a table lamp, as shown and described.

**DESCRIPTION**

FIG. 1 is a front perspective view of a table lamp showing my new design;  
FIG. 2 is a bottom perspective view thereof;  
FIG. 3 is a rear perspective view thereof;  
FIG. 4 is a front elevational view thereof;  
FIG. 5 is a rear elevational view thereof;  
FIG. 6 is a left side elevational view thereof;  
FIG. 7 is a right side elevational view thereof;  
FIG. 8 is a top plan view thereof; and,  
FIG. 9 is a bottom plan view thereof.  
The broken lines in the drawings depict portions of the table lamp that form no part of the claimed design.

**1 Claim, 9 Drawing Sheets**



(56)

**References Cited**

OTHER PUBLICATIONS

Bosceos Set of 2 Touch Control 3-Way Dimmable Table Lamp, Jun. 10, 2020, Amazon.com, site visited Jul. 20, 2022, url: <https://www.amazon.com/dp/B089YSXCY3/?th=1> (Year: 2020).\*

Vonluce Farmhouse Table Lamps, Sep. 24, 2020, Amazon.com, site visited Jul. 20, 2022, url: <https://www.amazon.com/dp/B08JYHYDDV/> (Year: 2020).\*

\* cited by examiner

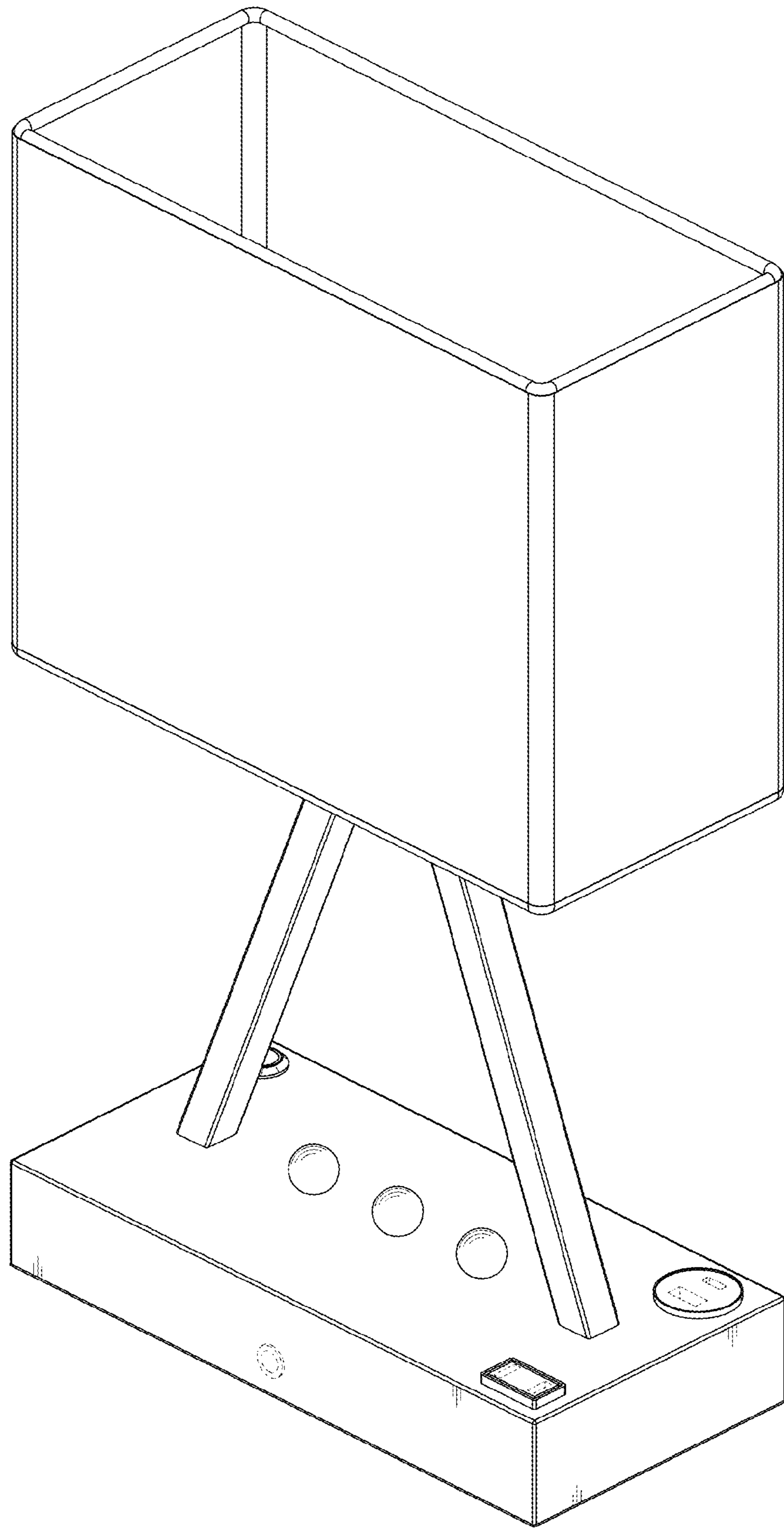


FIG. 1

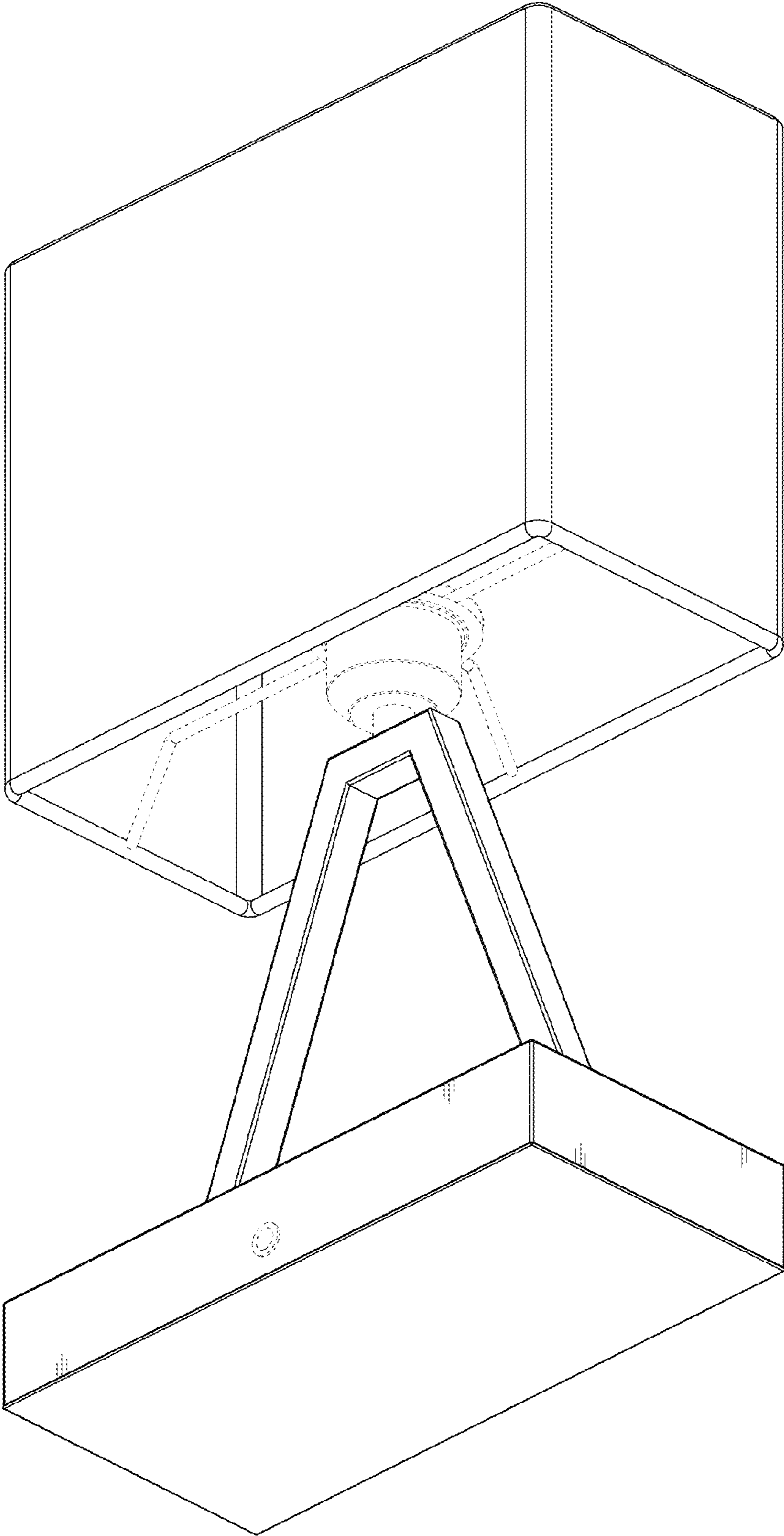


FIG. 2

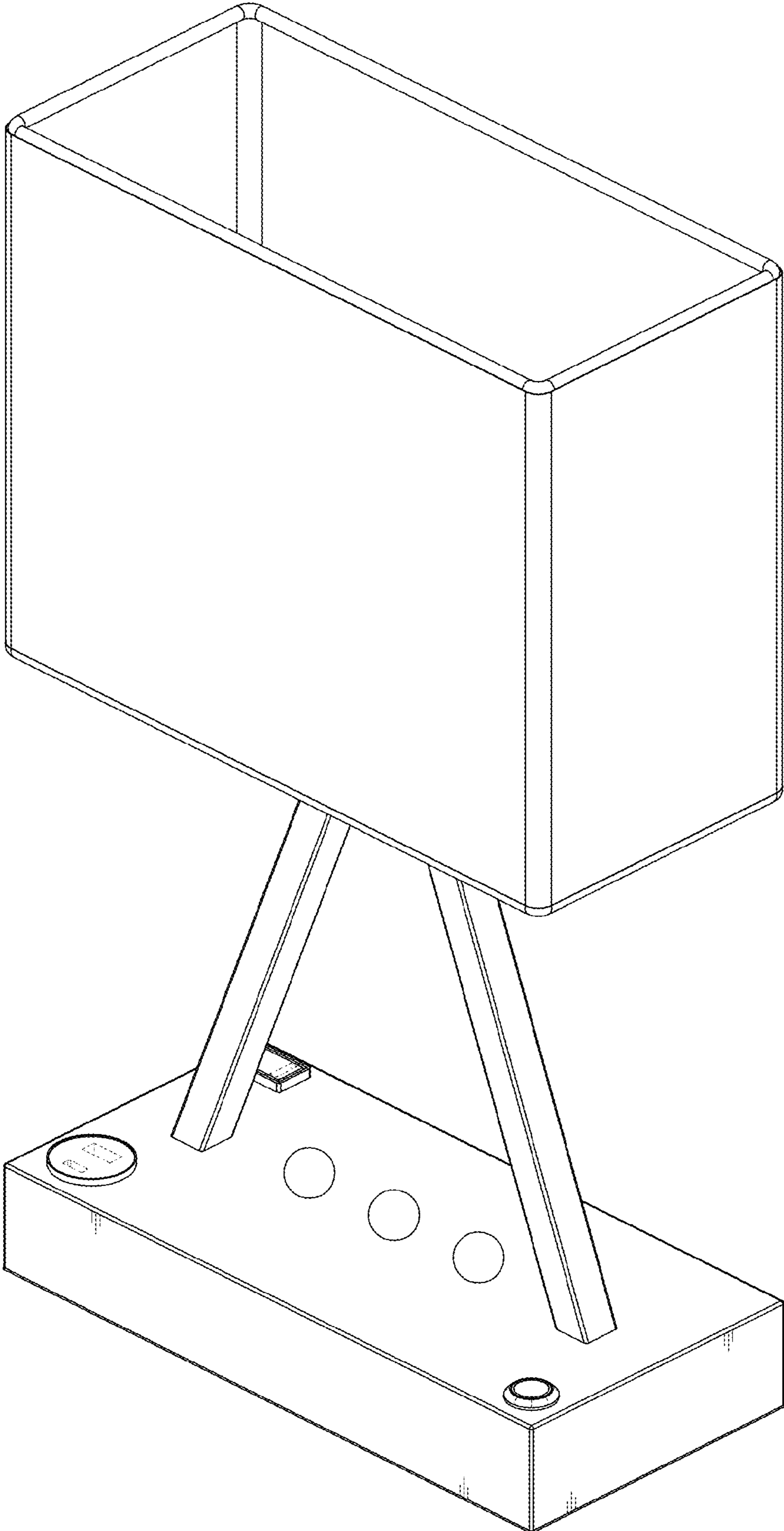


FIG. 3



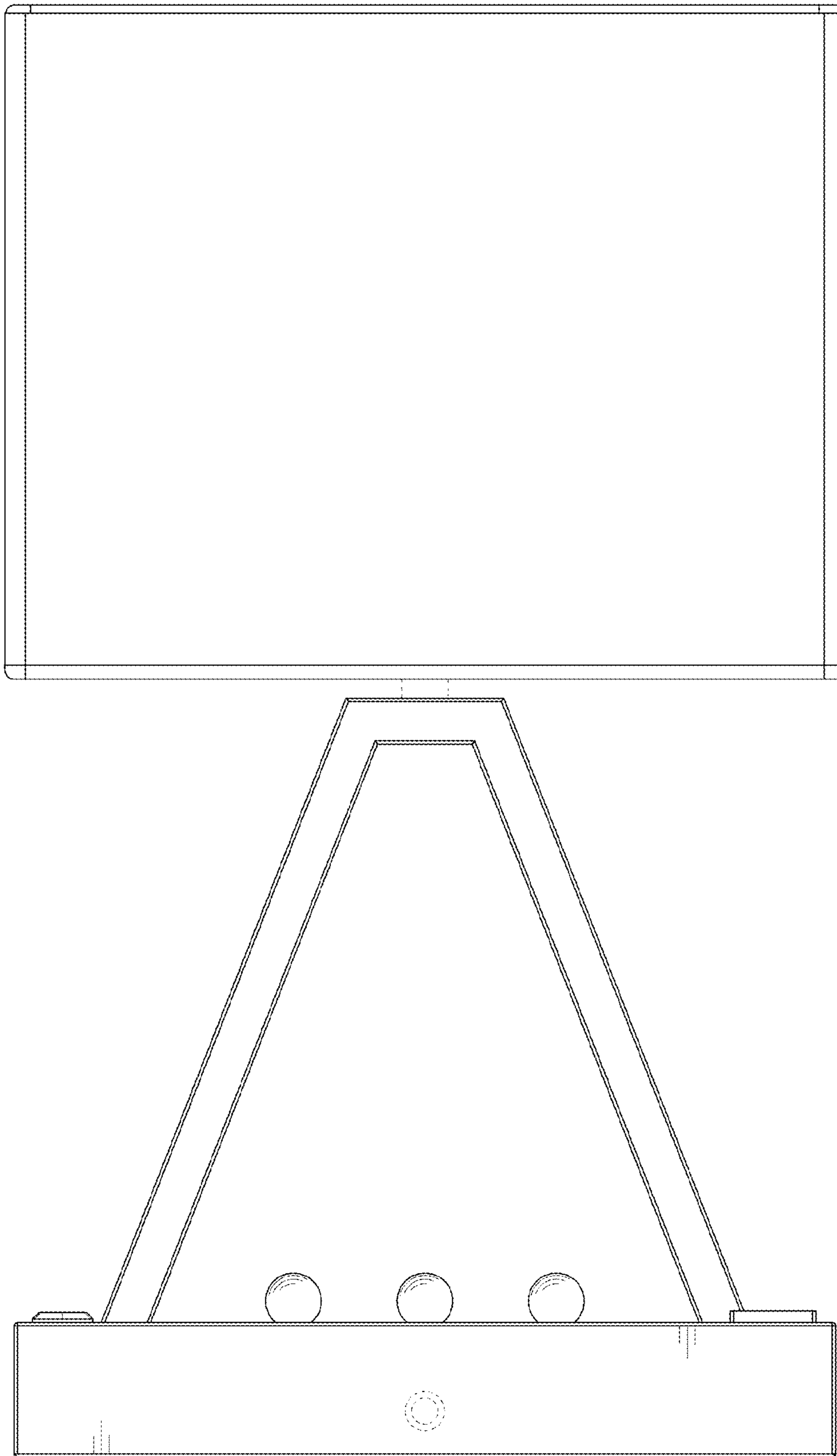


FIG. 4

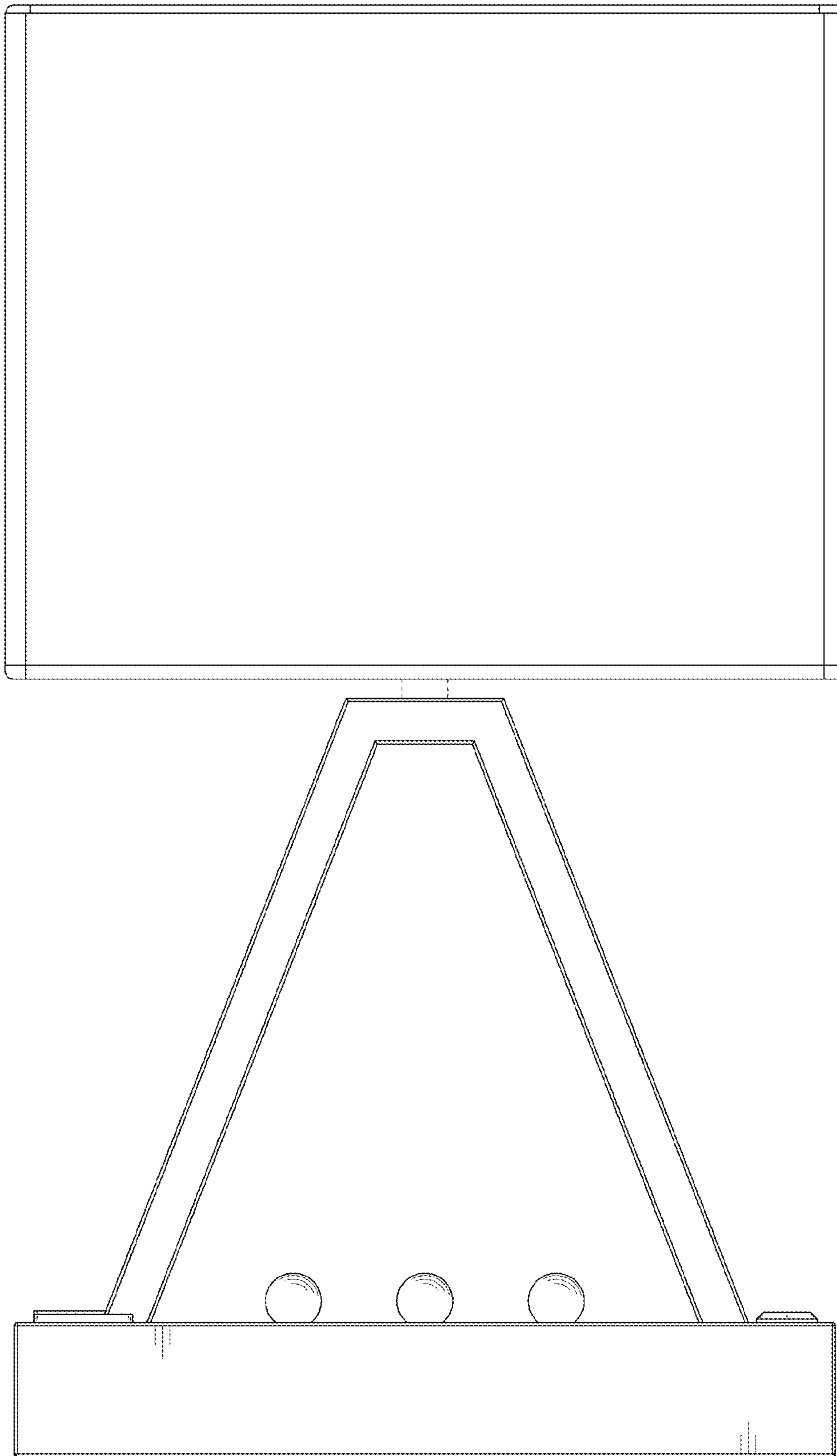


FIG. 5

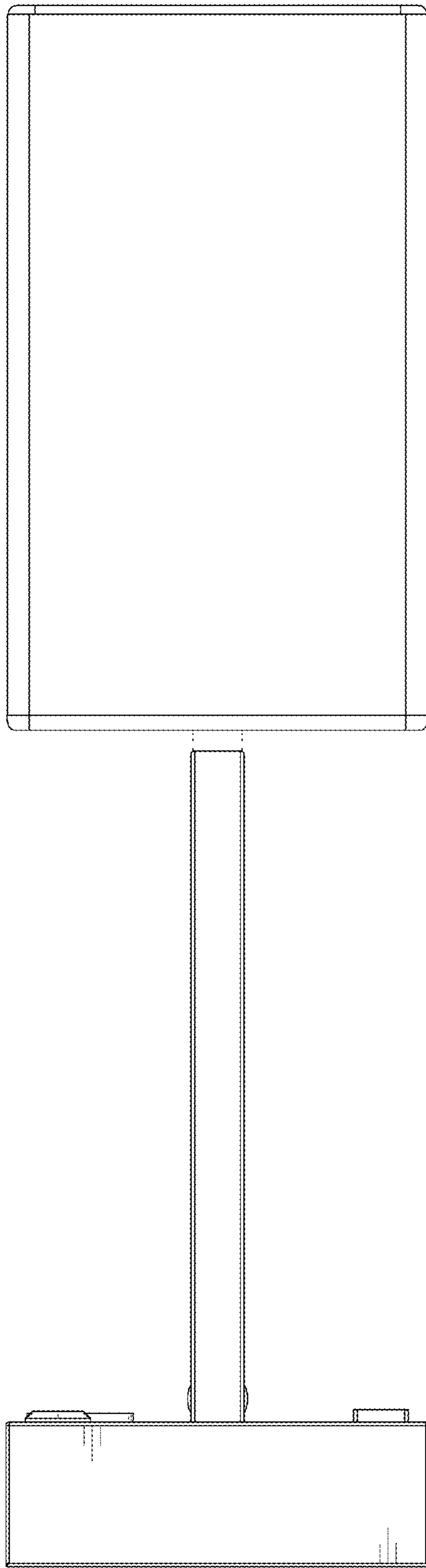


FIG. 6



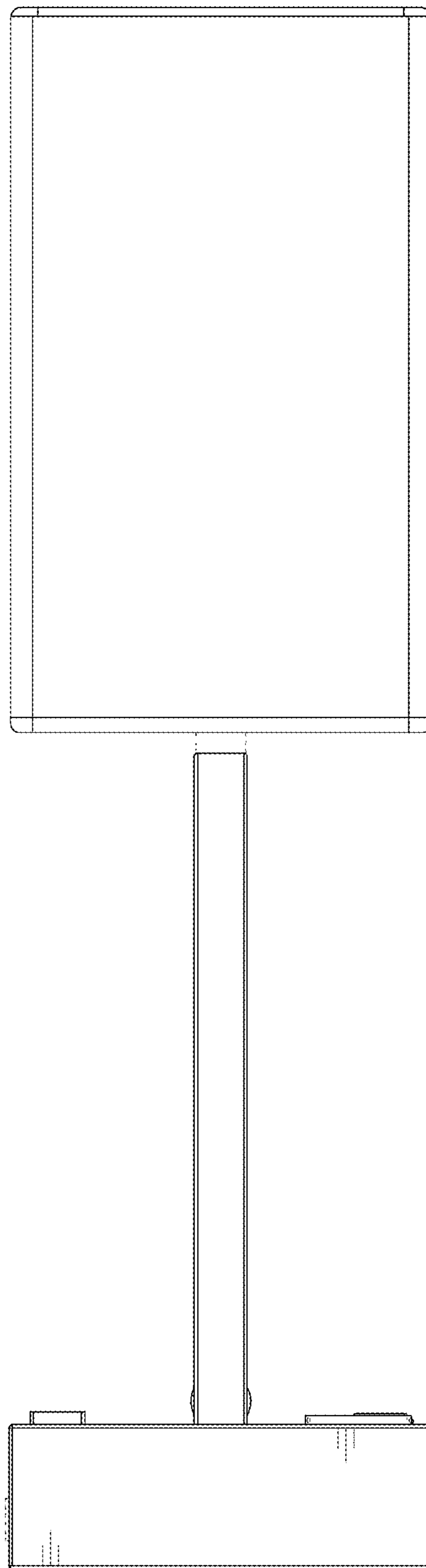


FIG. 7

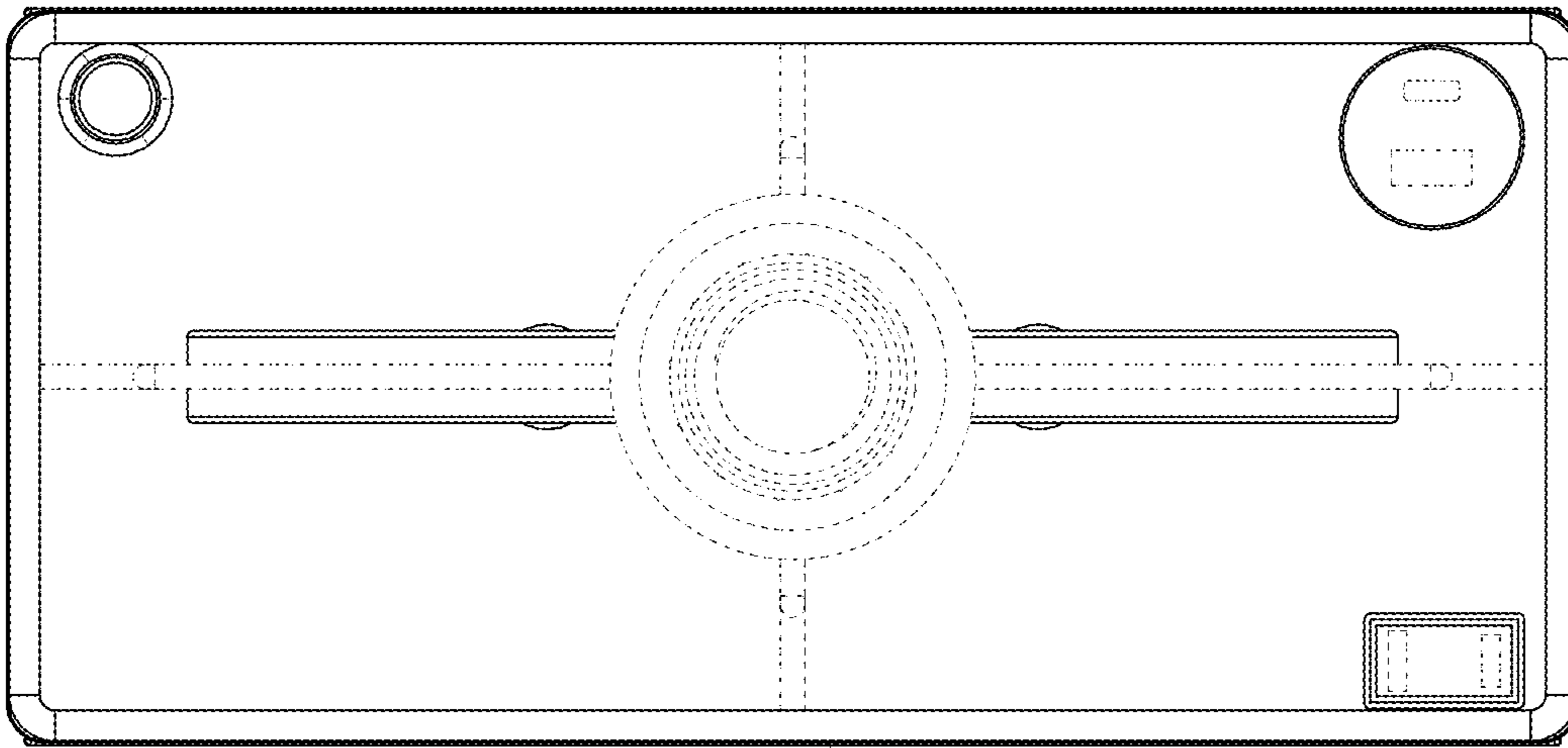


FIG. 8

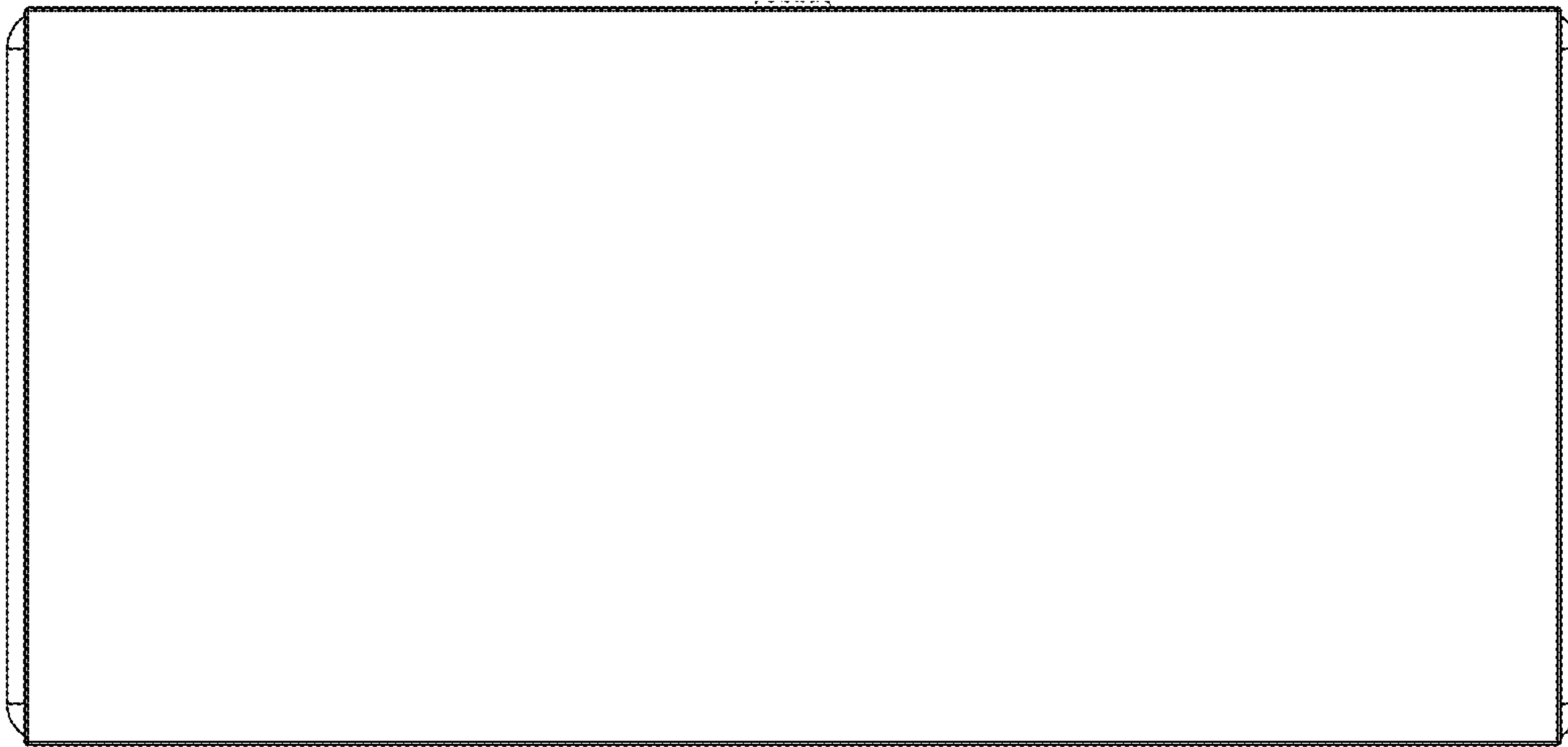


FIG. 9