



US00D972196S

(12) **United States Design Patent** (10) **Patent No.:** **US D972,196 S**
Zhao (45) **Date of Patent:** **** Dec. 6, 2022**

(54) **MOOD LIGHT**

(71) Applicant: **Tianwei Zhao**, Guangzhou (CN)

(72) Inventor: **Tianwei Zhao**, Guangzhou (CN)

(**) Term: **15 Years**

(21) Appl. No.: **29/816,584**

(22) Filed: **Nov. 23, 2021**

(51) **LOC (13) Cl.** **26-05**

(52) **U.S. Cl.**
USPC **D26/104; D26/93; D26/106**

(58) **Field of Classification Search**
USPC D26/24, 40, 93, 102, 104, 106, 110, 118,
D26/123, 124; D21/301, 443, 451, 452;
D10/104.2, 114.1, 114.2, 114.5, 114.6,
D10/114.8
CPC .. F21S 10/00; F21S 10/02; F21S 10/06; F21S
10/005; F21S 10/063; F21S 9/00; F21W
2121/008; F21W 2131/30; F21W
2131/406

See application file for complete search history.

(56) **References Cited**

U.S. PATENT DOCUMENTS

D681,258 S * 4/2013 Chiang D26/93
D690,455 S * 9/2013 Hagenauer D26/93
D744,454 S 12/2015 Ou Yang et al.
D860,494 S * 9/2019 Gebski D26/52
D905,318 S * 12/2020 Cui D26/106

D911,597 S * 2/2021 Harmon D26/118
D924,465 S * 7/2021 Zhang D26/93
D933,282 S * 10/2021 Ji D26/93
D944,443 S * 2/2022 Fairclough D26/93
D944,657 S * 3/2022 Dong D10/22
D947,439 S * 3/2022 Weiss D26/106
D959,726 S * 8/2022 Chen D26/104

* cited by examiner

Primary Examiner — Wan Laymon

Assistant Examiner — Clint A Samuel

(74) *Attorney, Agent, or Firm* — ScienBiziP, P.C.

(57) **CLAIM**

The ornamental design for a mood light, as shown and described.

DESCRIPTION

FIG. 1 is a front, right and top perspective view of a mood light, showing my design.

FIG. 2 is a rear, left and bottom perspective view thereof.

FIG. 3 is a front elevation view thereof.

FIG. 4 is a rear elevation view thereof.

FIG. 5 is a left side elevation view thereof.

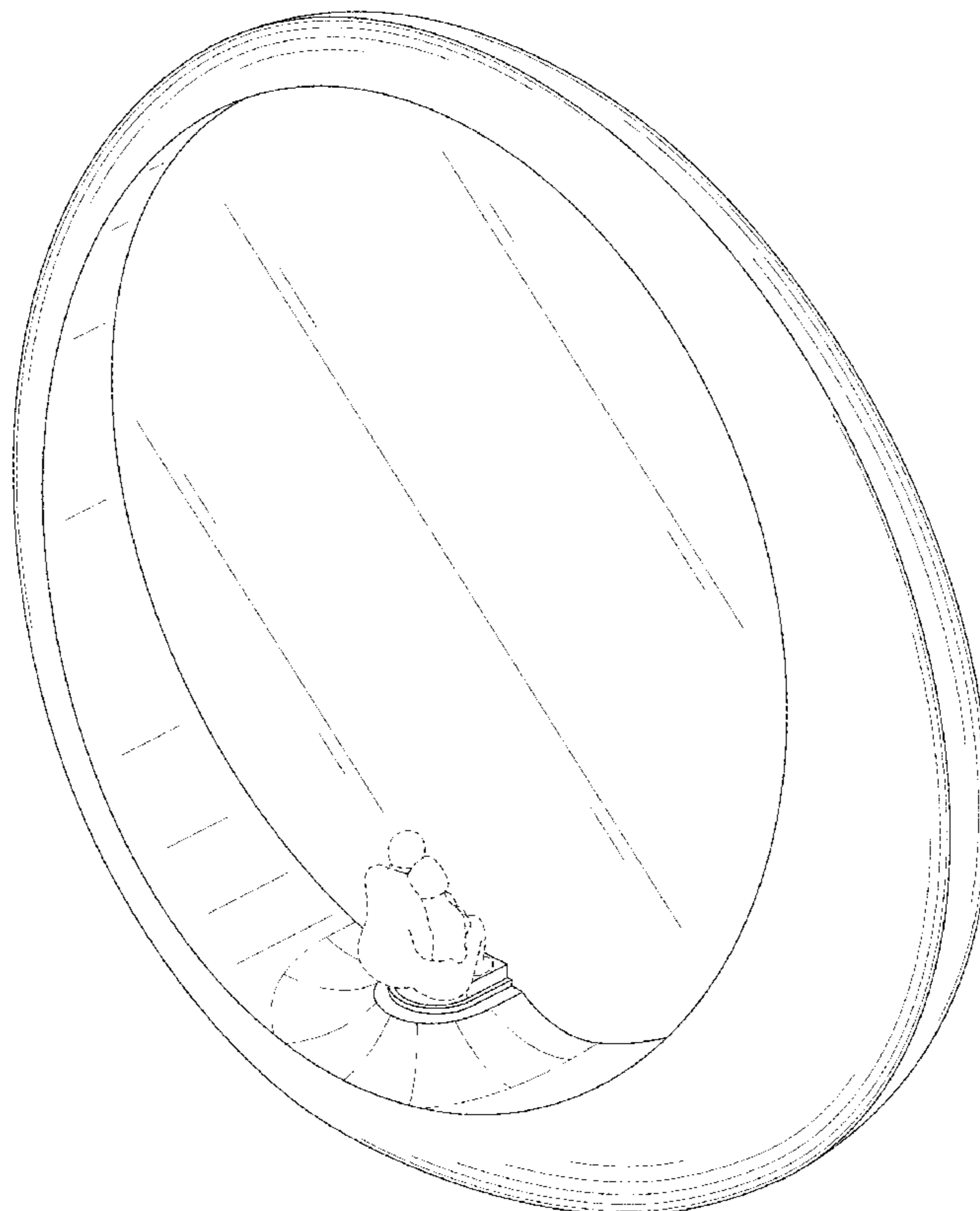
FIG. 6 is a right side elevation view thereof.

FIG. 7 is a top plan view thereof; and,

FIG. 8 is a bottom plan view thereof.

The broken lines shown in the drawings are included for the purpose of illustrating portions of the mood light that form no part of the claimed design.

1 Claim, 8 Drawing Sheets



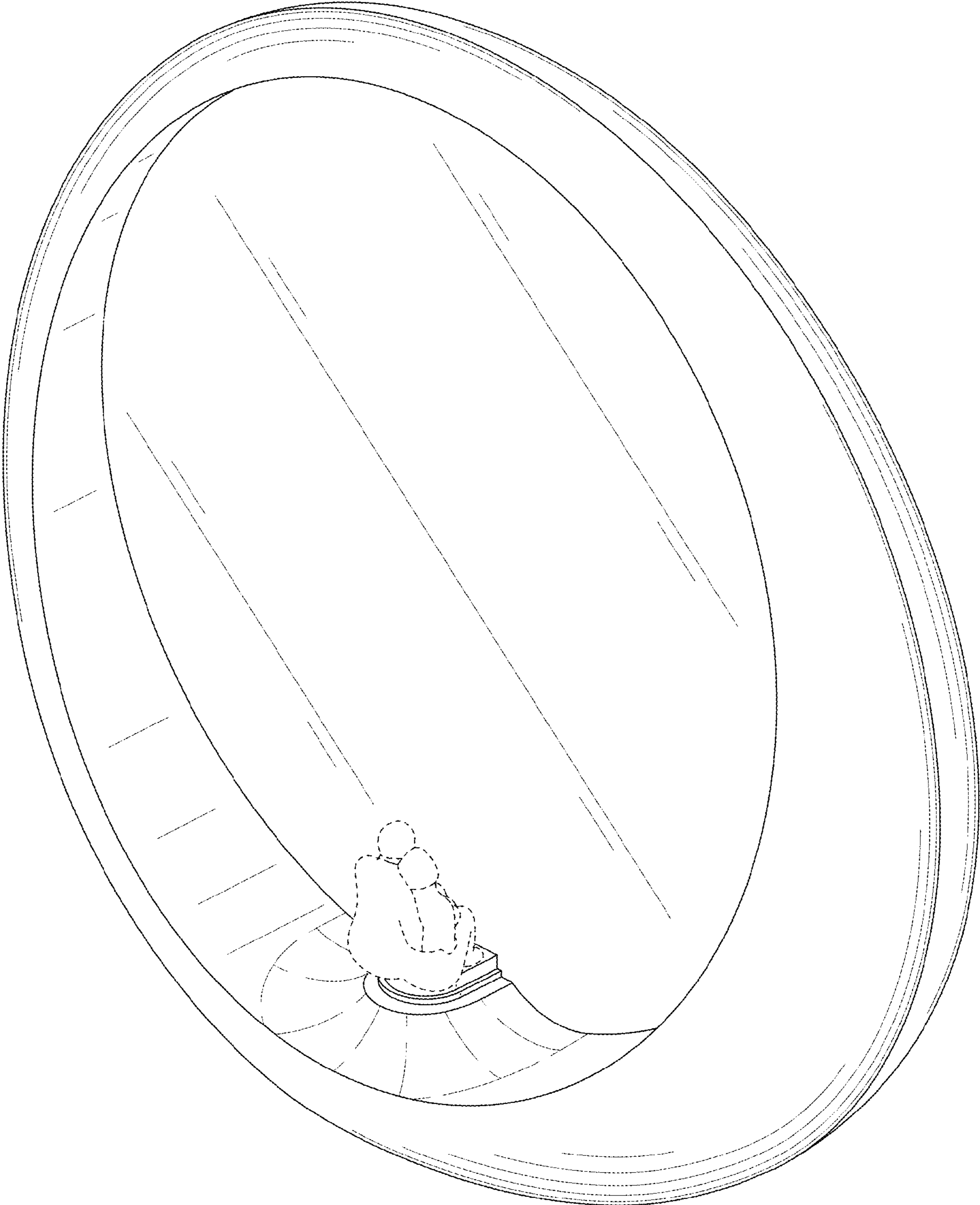


FIG. 1

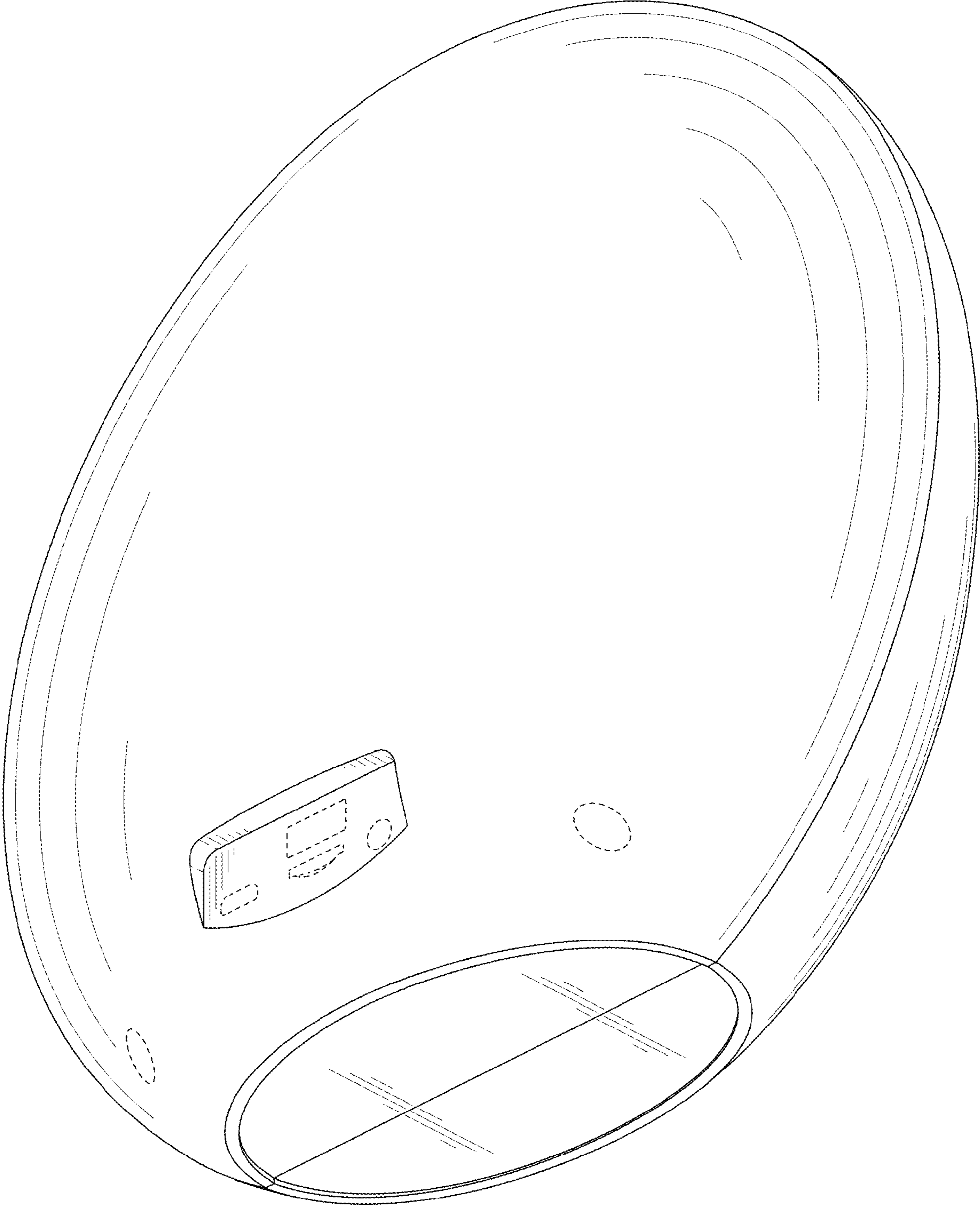


FIG. 2

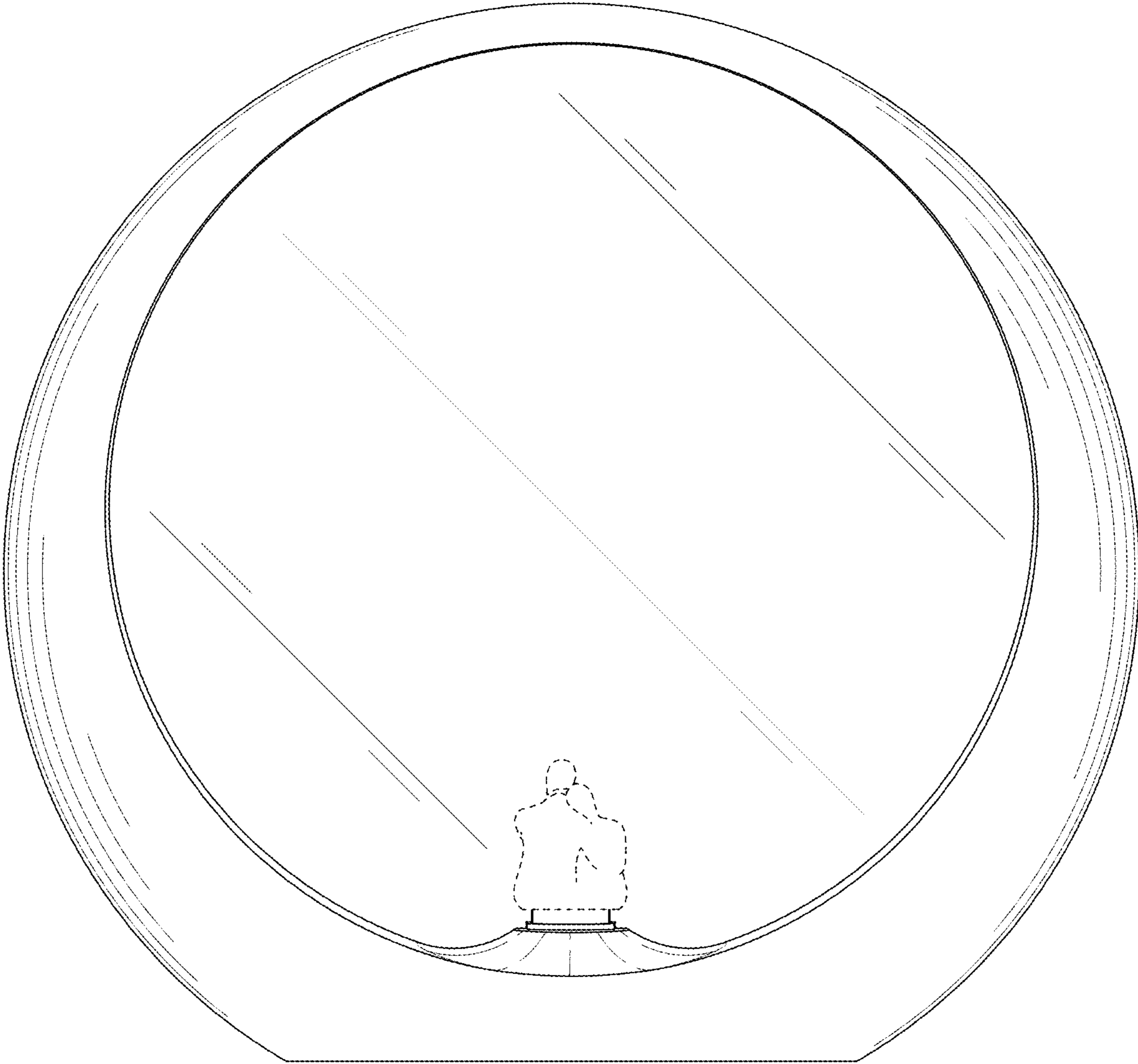


FIG. 3

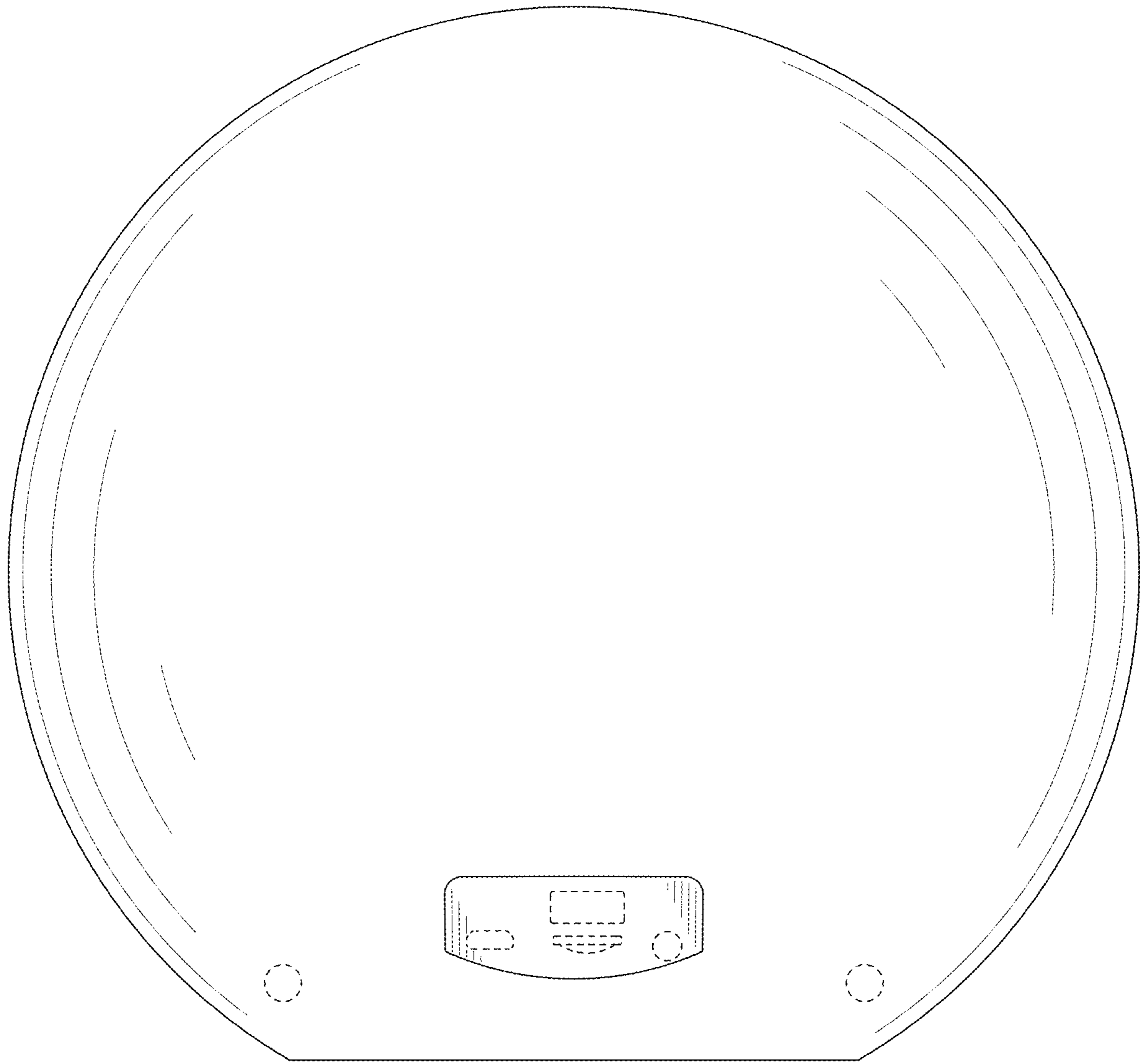


FIG. 4

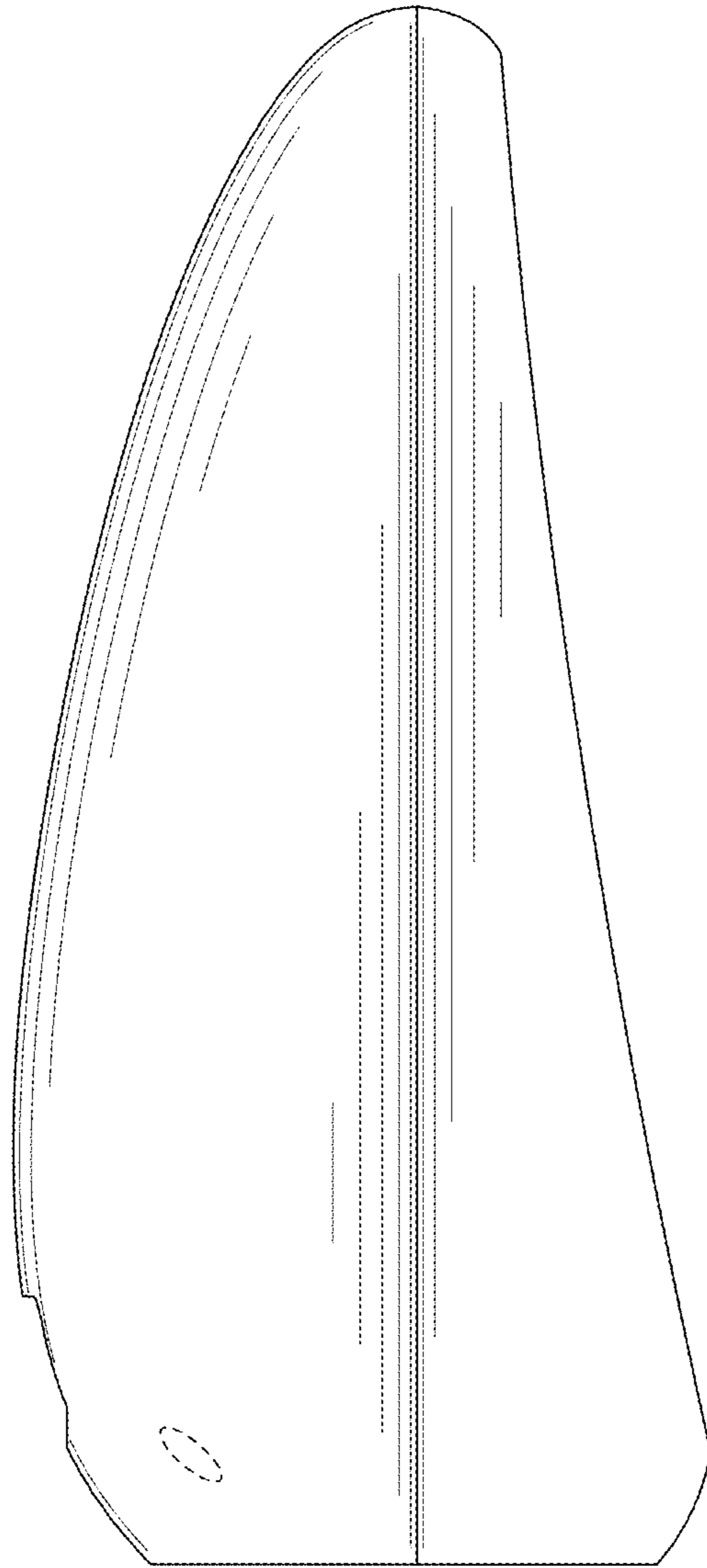


FIG. 5

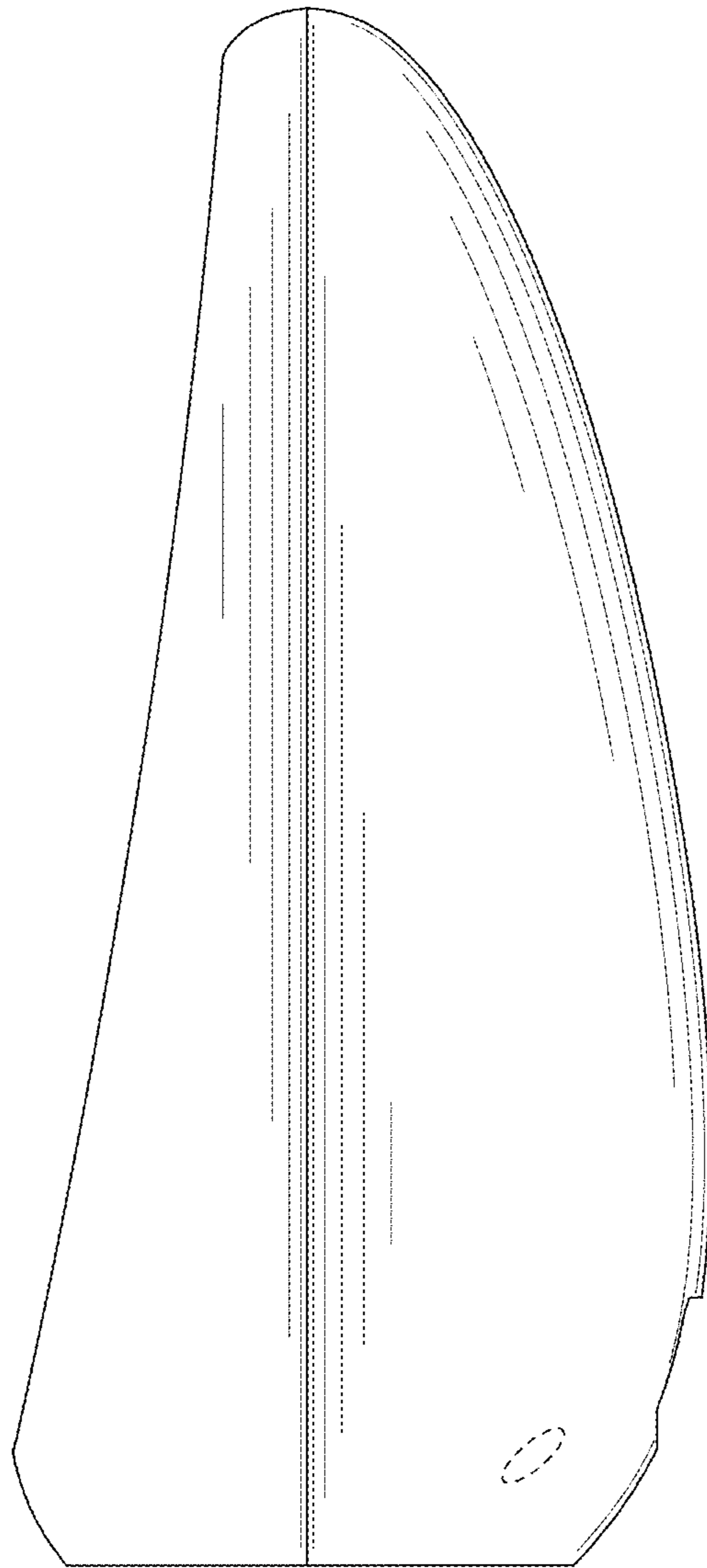


FIG. 6

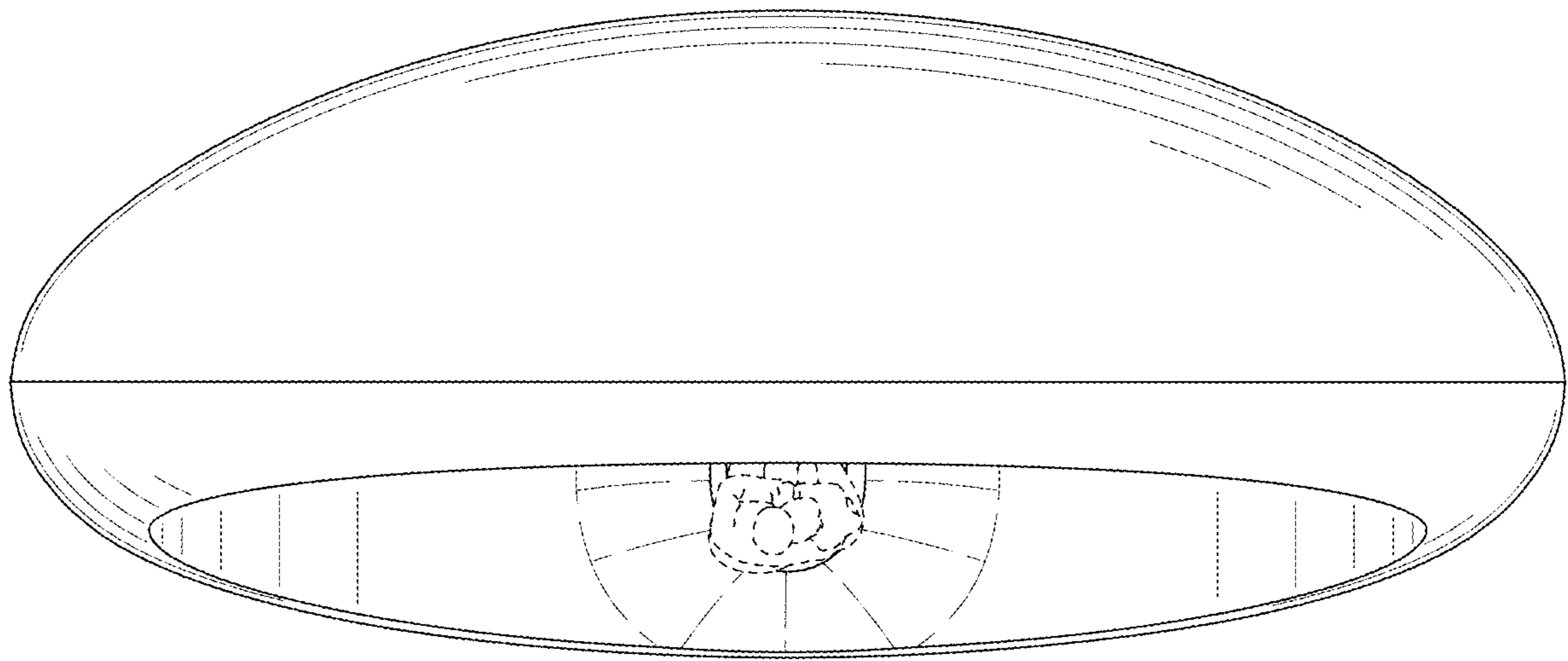


FIG. 7

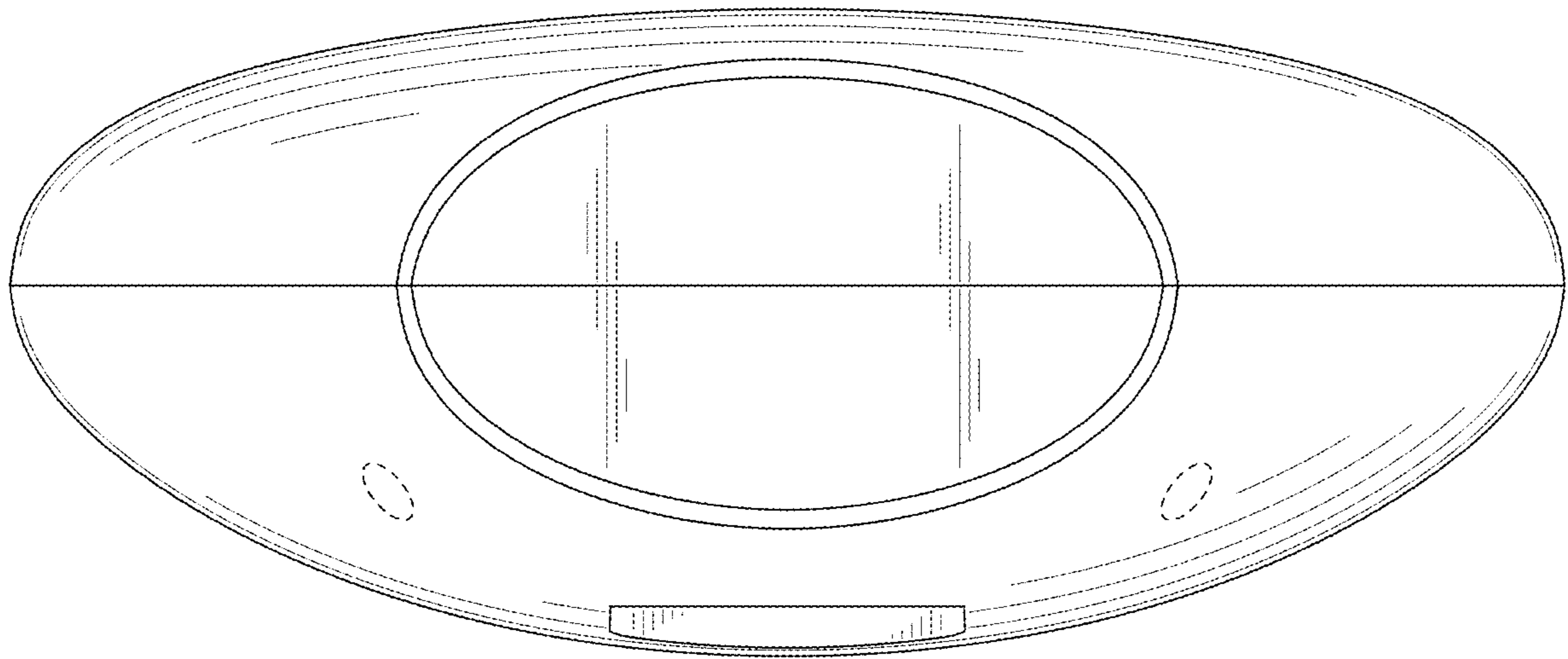


FIG. 8