



US00D972189S

(12) **United States Design Patent** (10) **Patent No.:** **US D972,189 S**
Tan (45) **Date of Patent:** **** Dec. 6, 2022**

(54) **LIGHTING FIXTURE**

FOREIGN PATENT DOCUMENTS

(71) Applicant: **Changzheng Tan**, Tallahassee, FL (US)

CN 305277199 S 7/2019

(72) Inventor: **Changzheng Tan**, Tallahassee, FL (US)

OTHER PUBLICATIONS

(73) Assignee: **Changzheng Tan**, Tallahassee, FL (US)

Crystorama Layla 6 Light Antique Silver Chandelier, ASIN: B00R9F6MCO. Available from amazon.com Dec. 20, 2014. (Year: 2014).*

(**) Term: **15 Years**

Crystorama Coco 6 Light Antique Silver Chandelier, ASIN: B01HN1QNXQ. Available from amazon.com Jun. 27, 2016. (Year: 2016).*

(21) Appl. No.: **29/799,752**

(22) Filed: **Jul. 16, 2021**

Hampton Hill Abbot 4 Light Drum Shaped Chandelier. Available from jcpenny.com, visited Sep. 6, 2022. (Year: 2022).*

(51) **LOC (13) Cl.** **26-03**

Serena Drum Chandelier Capiz Shell. Available from olystudio.com, visited Sep. 6, 2022. (Year: 2022).*

(52) **U.S. Cl.**

USPC **D26/82**; D26/88

(58) **Field of Classification Search**

USPC D26/80-86, 88-91, 72, 118, 143, 144

CPC F21S 8/043; F21S 8/046; F21S 8/06; F21S

8/061; F21S 8/063; F21S 8/065; F21S

8/068

* cited by examiner

See application file for complete search history.

Primary Examiner — Clare E Hefflin

(56) **References Cited**

(57) **CLAIM**

The ornamental design for a lighting fixture, as shown and described.

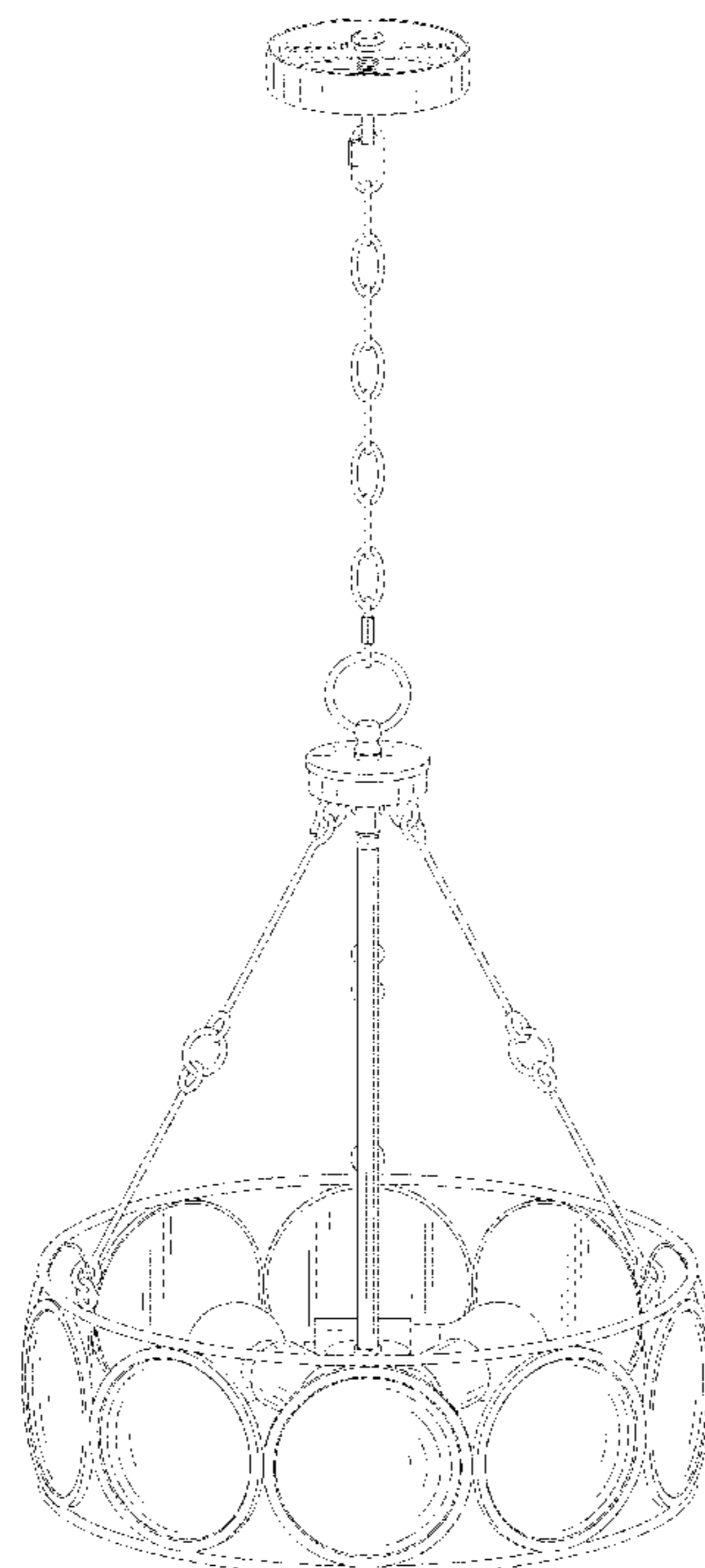
U.S. PATENT DOCUMENTS

DESCRIPTION

D75,061 S	*	5/1928	Rosenblatt	D26/81
D242,064 S	*	10/1976	Glassman	D26/82
D253,308 S	*	10/1979	Glassman	D26/81
D302,479 S	*	7/1989	Bohler	D26/81
D422,737 S	*	4/2000	Orozco	D26/85
D429,360 S		8/2000	Chelf et al.		
D601,743 S	*	10/2009	Sabernig	D26/88
D769,506 S	*	10/2016	Orozco	D26/82
D868,341 S		11/2019	Yando		
D898,978 S	*	10/2020	Xu	D26/82
D905,315 S	*	12/2020	Li	D26/81
D906,571 S	*	12/2020	Li	D26/81
D959,040 S	*	7/2022	Bitton	D26/88

FIG. 1 is a front and top perspective view of a lighting fixture showing my new design;
FIG. 2 is a front elevational view thereof;
FIG. 3 is a rear elevational view thereof;
FIG. 4 is a right side elevational view thereof;
FIG. 5 is a left side elevational view thereof;
FIG. 6 is a top plan view thereof; and,
FIG. 7 is a bottom plan view thereof.

1 Claim, 7 Drawing Sheets



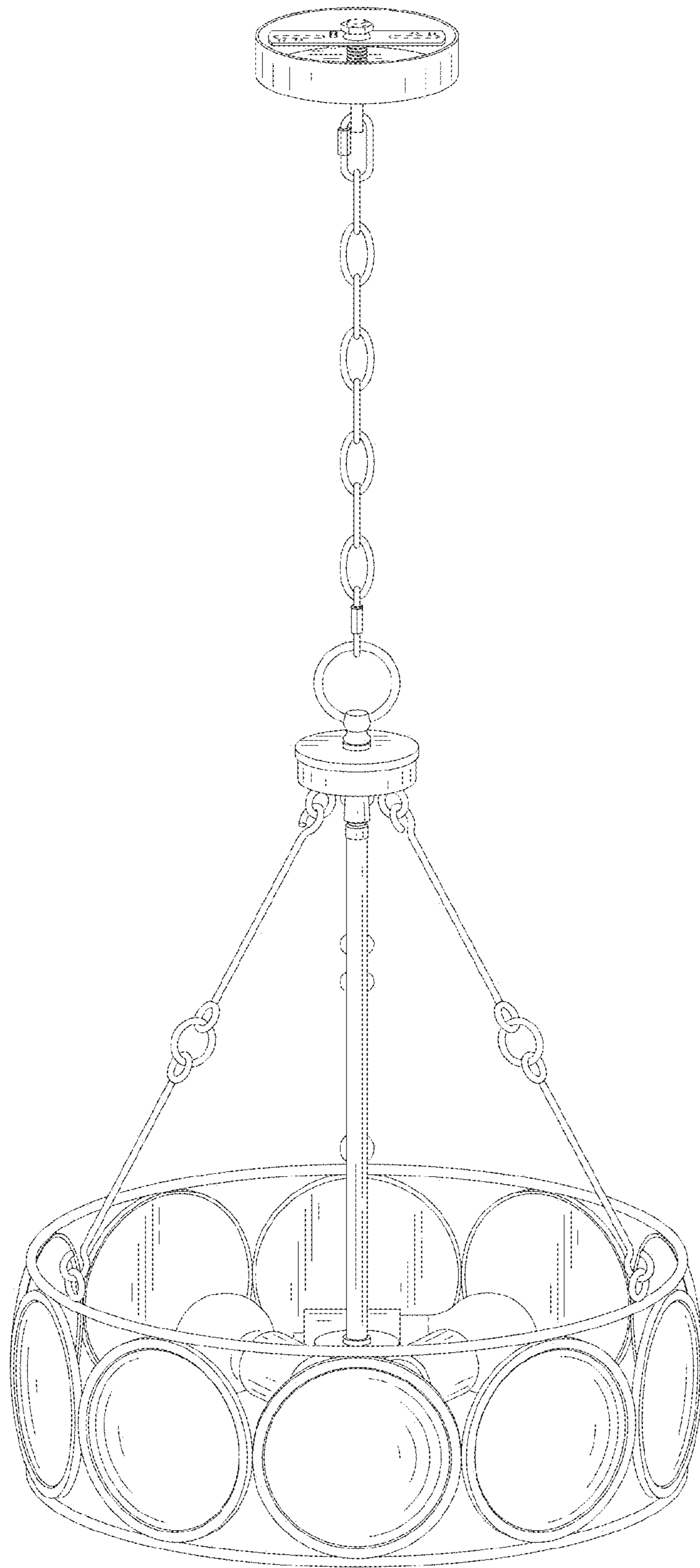


FIG. 1

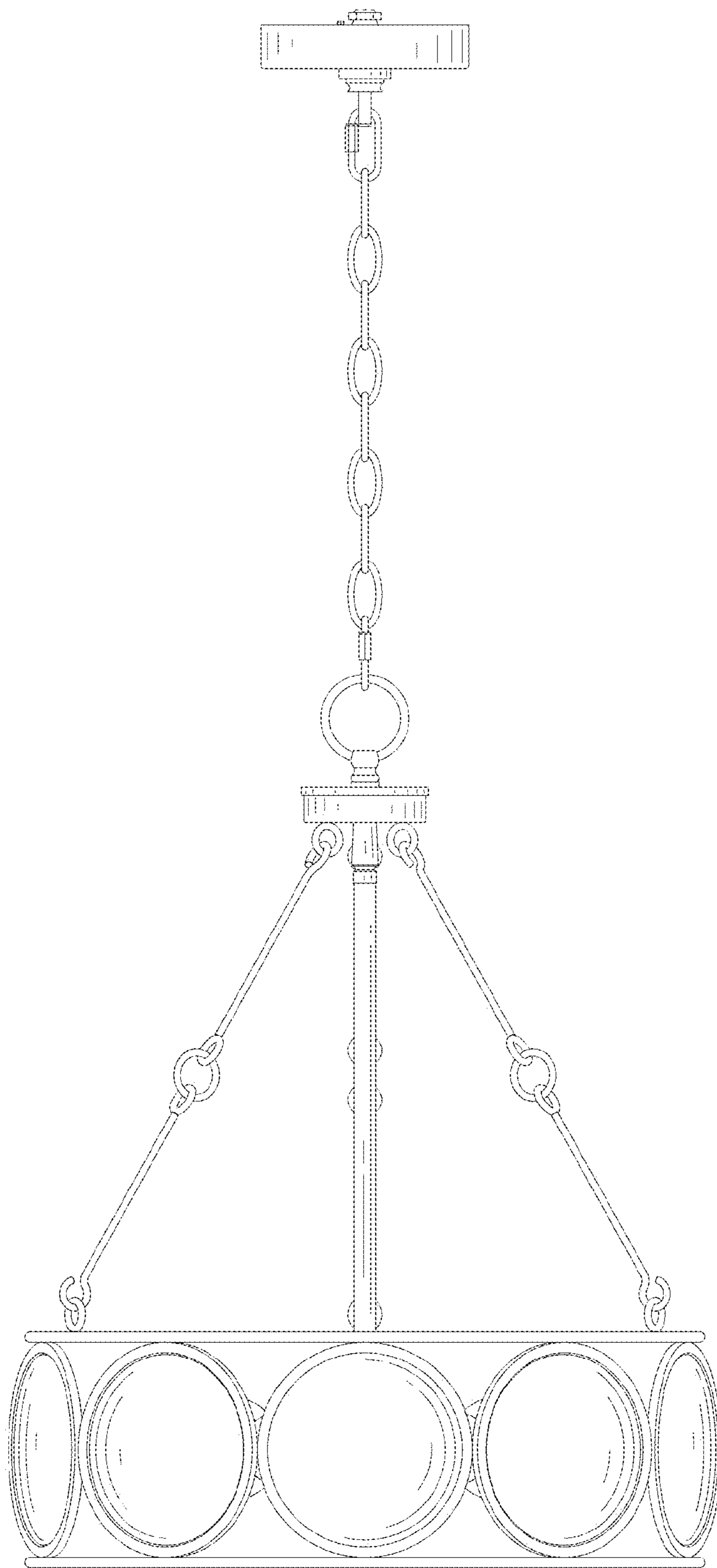


FIG. 2

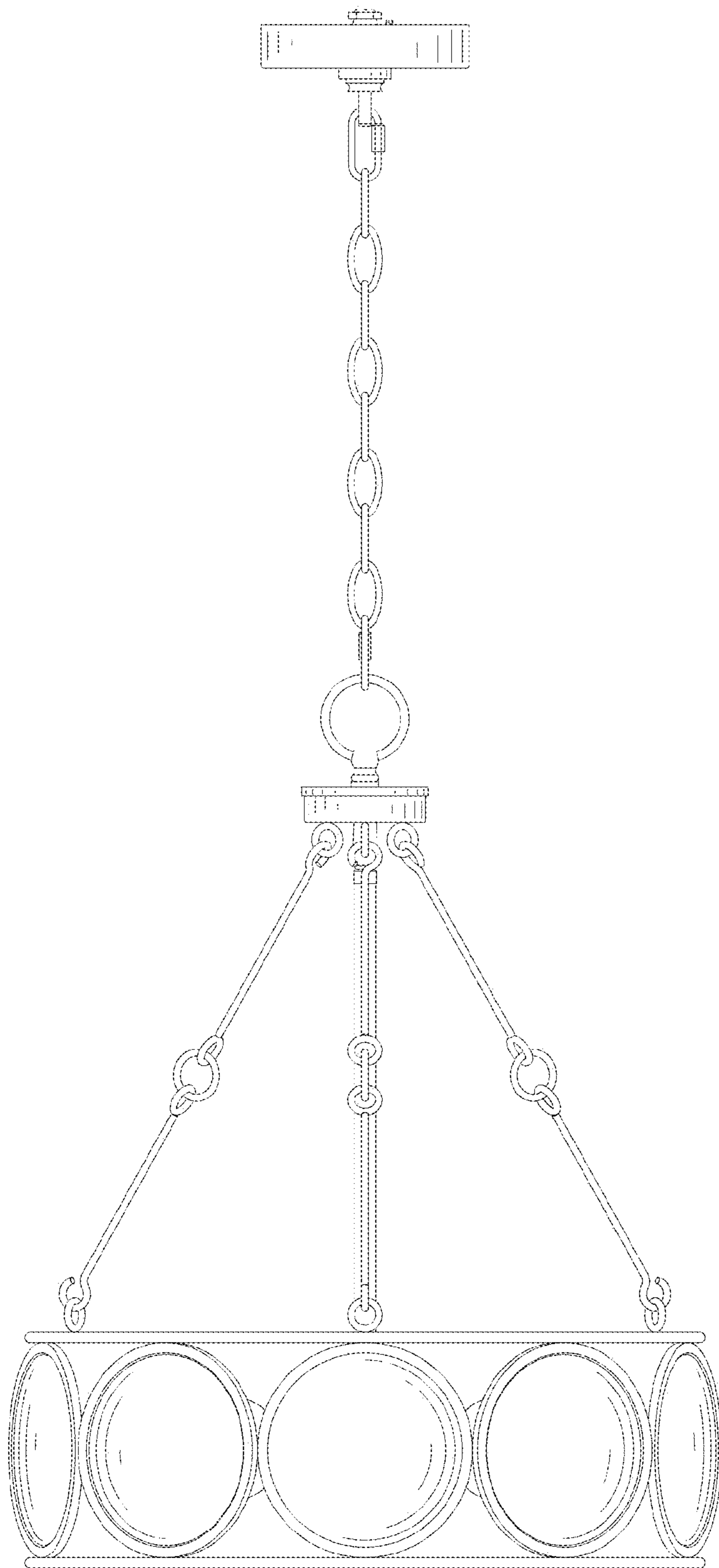


FIG. 3

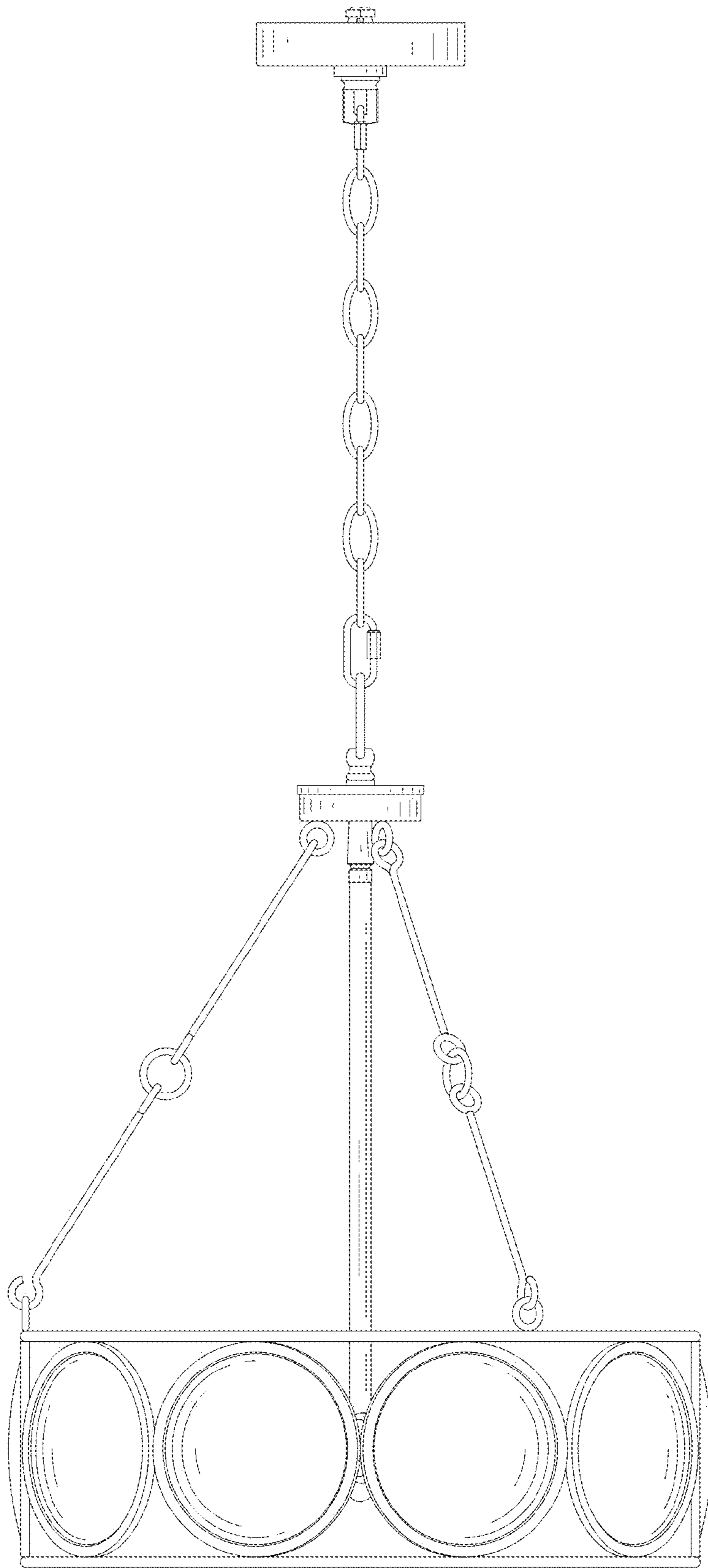


FIG. 4

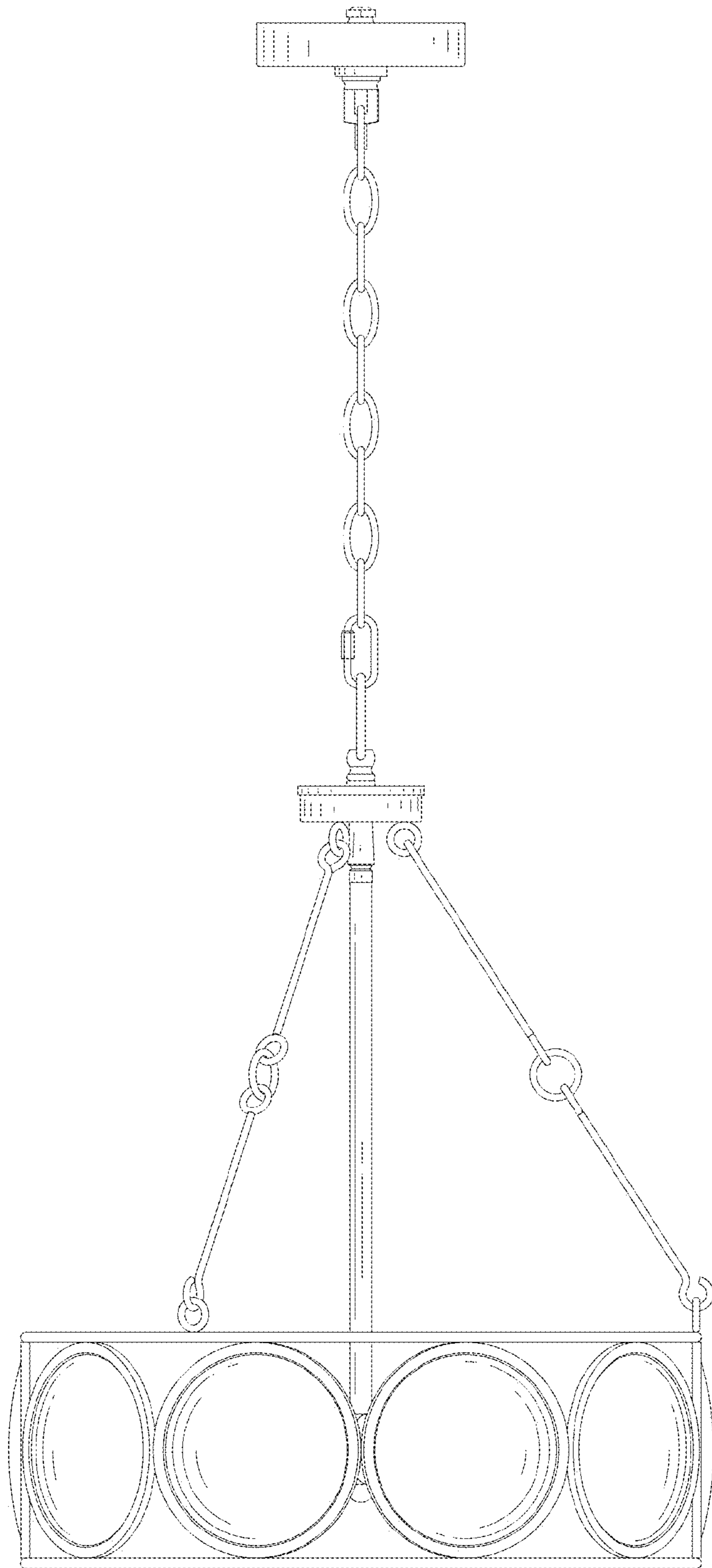


FIG. 5

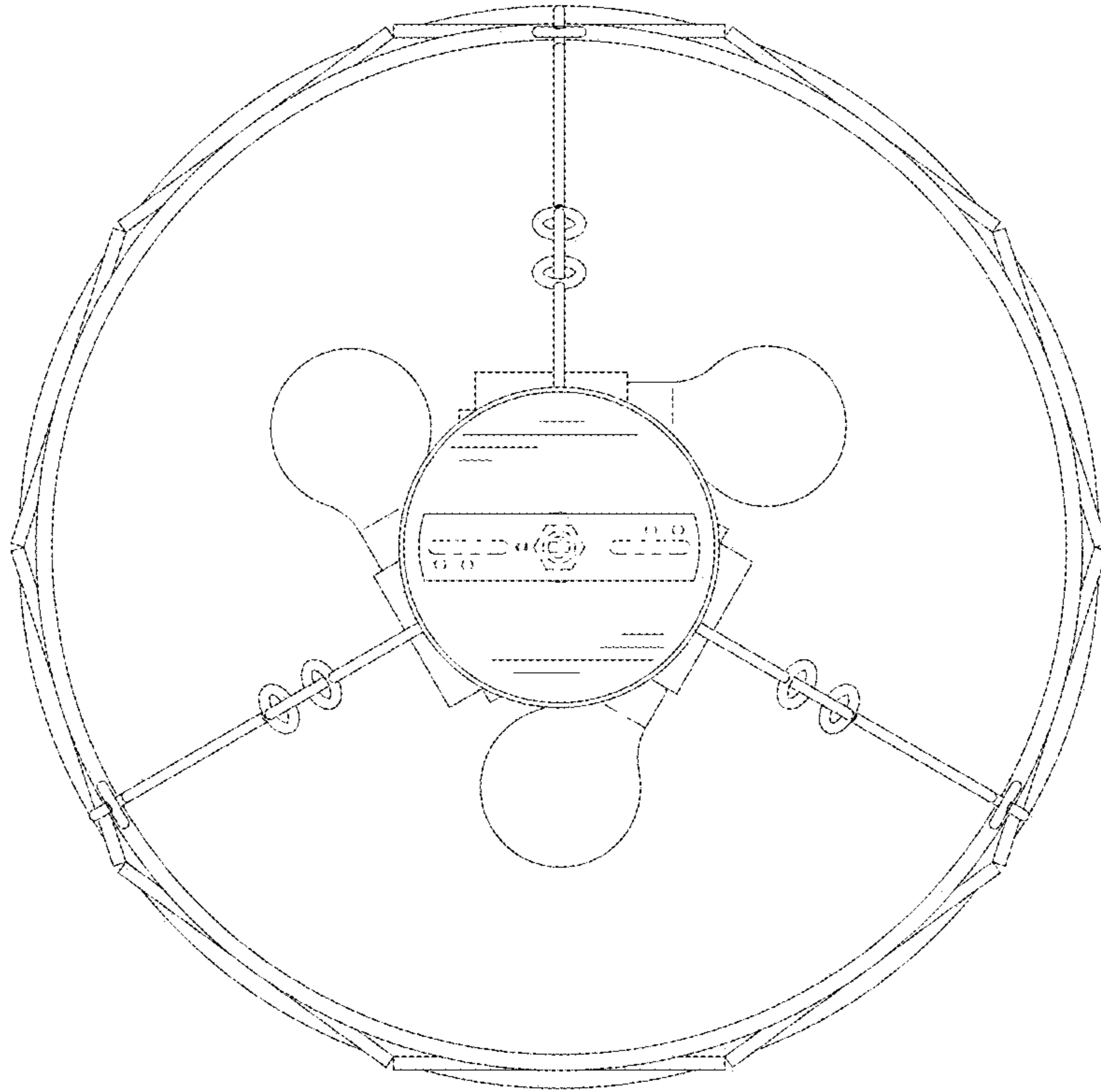


FIG. 6

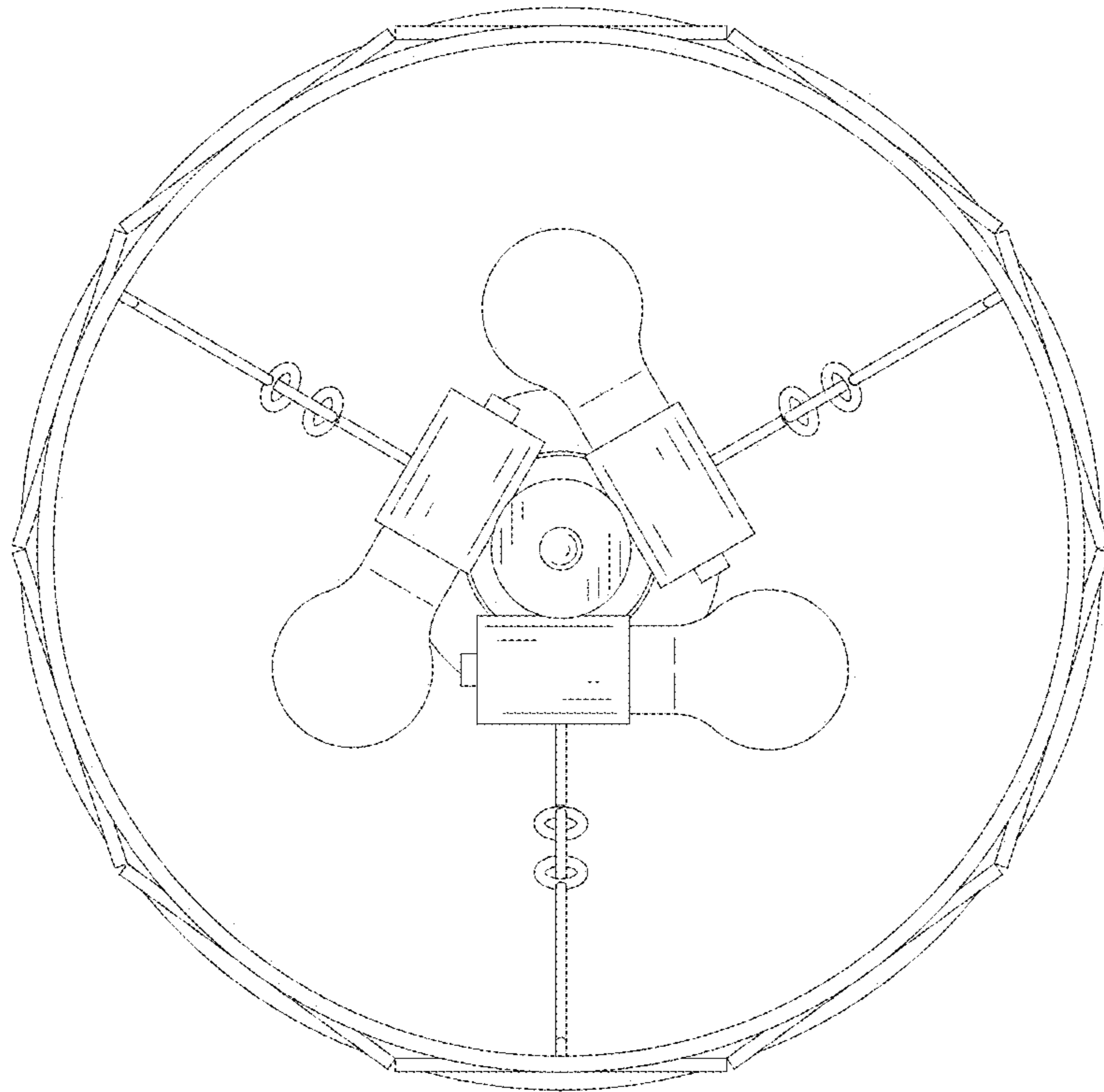


FIG. 7