



US00D972188S

(12) **United States Design Patent** (10) **Patent No.:** **US D972,188 S**
Cai (45) **Date of Patent:** **** Dec. 6, 2022**

- (54) **LIGHT FIXTURE**
- (71) Applicant: **HGCI, Inc.**, Las Vegas, NV (US)
- (72) Inventor: **Dengke Cai**, Camas, WA (US)
- (73) Assignee: **HGCI, Inc.**, Las Vegas, NV (US)
- (**) Term: **15 Years**
- (21) Appl. No.: **29/809,494**
- (22) Filed: **Sep. 28, 2021**

2013/0088871 A1* 4/2013 Yun F21V 29/74
362/373
2017/0016610 A1* 1/2017 Scarlata F21V 29/763
2022/0154922 A1* 5/2022 Cai F21V 23/06
(Continued)

Related U.S. Application Data

- (63) Continuation of application No. 29/728,118, filed on Mar. 16, 2020, now Pat. No. Des. 933,881.
- (51) **LOC (13) Cl.** **26-05**
- (52) **U.S. Cl.**
USPC **D26/76**
- (58) **Field of Classification Search**
USPC D26/24, 69, 71, 72, 74, 75, 76, 85, 87,
D26/92, 93, 104, 105, 106, 110, 112, 120
CPC F21S 8/02; F21S 8/033; F21S 8/036; F21S
8/04; F21S 8/085; F21V 29/74; F21W
2131/103
See application file for complete search history.

References Cited

- (56) **U.S. PATENT DOCUMENTS**
- D705,474 S * 5/2014 Philips D26/76
- D785,846 S * 5/2017 Reynolds D26/76
- D786,470 S * 5/2017 Largent D26/72
- D789,589 S * 6/2017 Yorio D26/76
- D869,050 S * 12/2019 Scarlata D26/76
- D893,090 S * 8/2020 McClow D26/120
- D908,269 S * 1/2021 Duong F21V 29/502
D26/113
- 10,984,636 B2* 4/2021 Dolezalek G08B 7/06
- D944,440 S * 2/2022 Cao D26/76
- 2009/0168439 A1* 7/2009 Chiang F21V 19/003
362/404

OTHER PUBLICATIONS

LED pendant light heatsink, https://www.diytrade.com/china/pd/20361955/AWH_5530_IP65_LED_pendant_light_heatsink_IP65_suspended_light_housing.html, retrieved Jun. 13, 2022 (Year: 2022).*

Primary Examiner — Richard Kearney
Assistant Examiner — Benjamin M Weeks
(74) *Attorney, Agent, or Firm* — Ulmer & Berne LLP

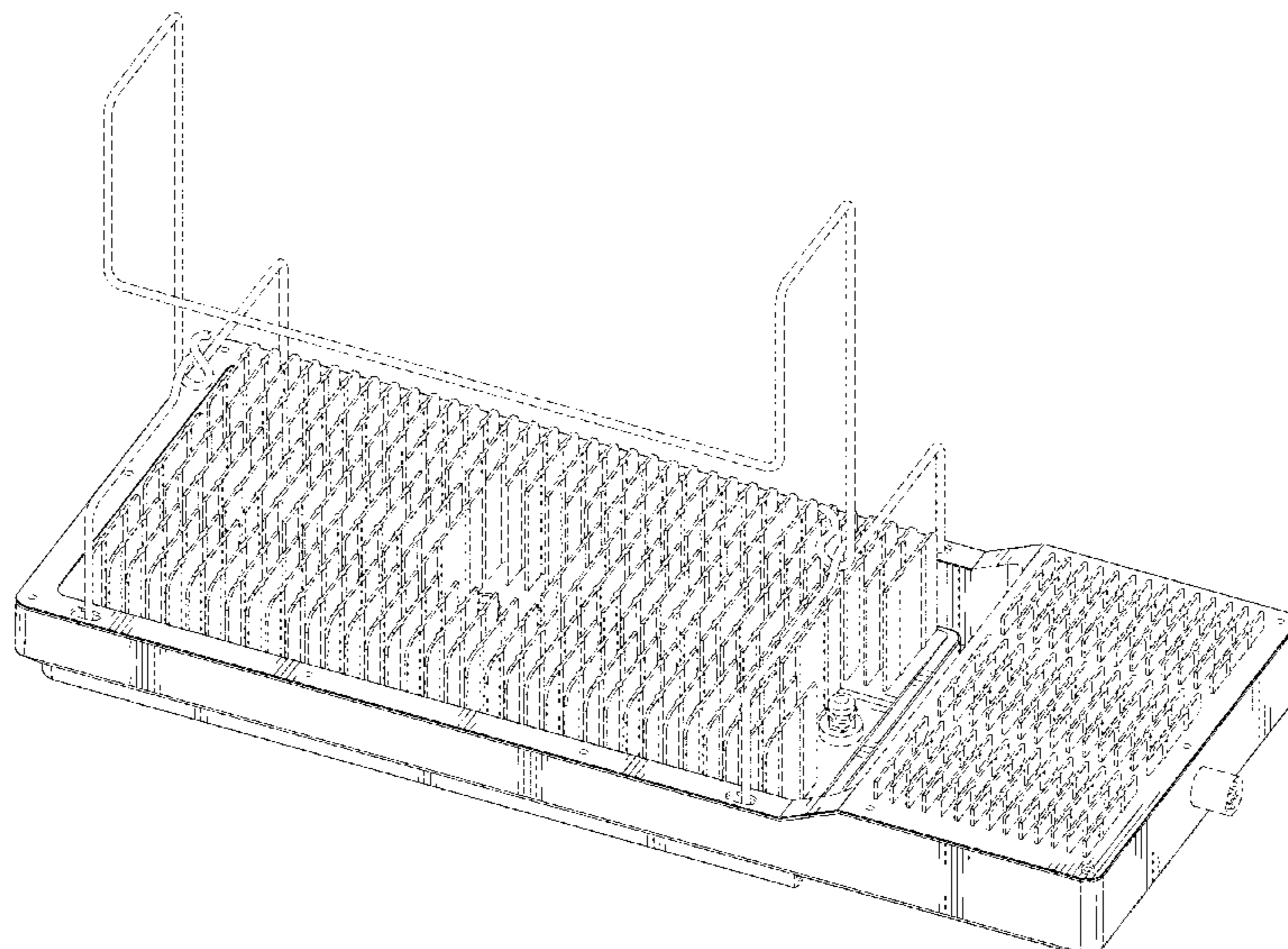
(57) **CLAIM**

The ornamental design for a light fixture, as shown and described.

DESCRIPTION

FIG. 1 is a front perspective view depicting a light fixture; FIG. 2 is a front elevation view depicting the light fixture of FIG. 1; FIG. 3 is a rear elevation view depicting the light fixture of FIG. 1; FIG. 4 is a right side elevation view depicting the light fixture of FIG. 1; FIG. 5 is a left side elevation view depicting the light fixture of FIG. 1; FIG. 6 is a top plan view depicting the light fixture of FIG. 1; FIG. 7 is a bottom plan view depicting the light fixture of FIG. 1; and, FIG. 8 is a rear perspective view depicting the light fixture of FIG. 1.
The details shown in broken lines in the figures form no part of the claimed design of the light fixture.

1 Claim, 7 Drawing Sheets



(56)

References Cited

U.S. PATENT DOCUMENTS

2022/0170610 A1* 6/2022 Huo A01G 9/249
2022/0170617 A1* 6/2022 Cai H05B 47/175

* cited by examiner

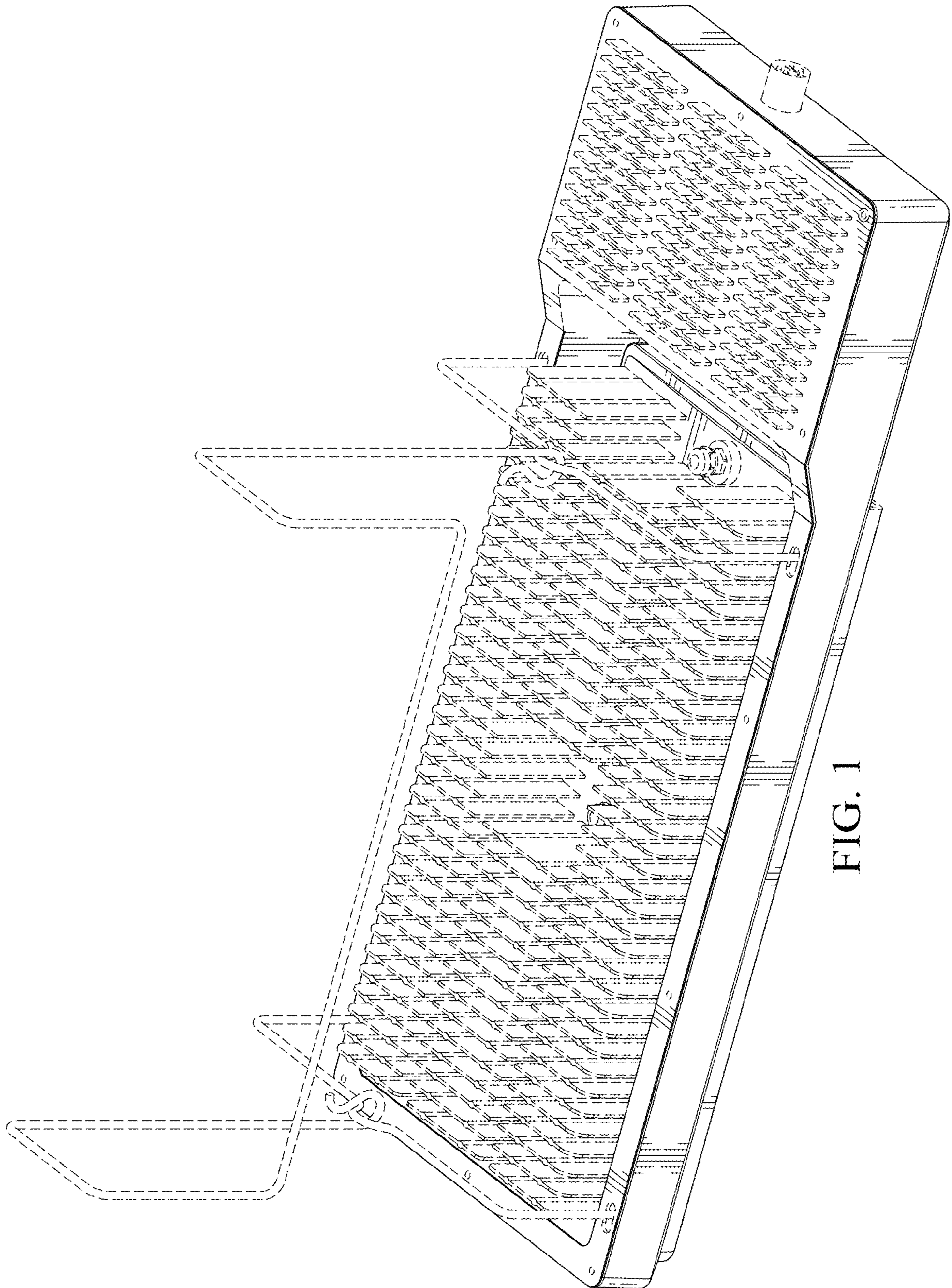


FIG. 1

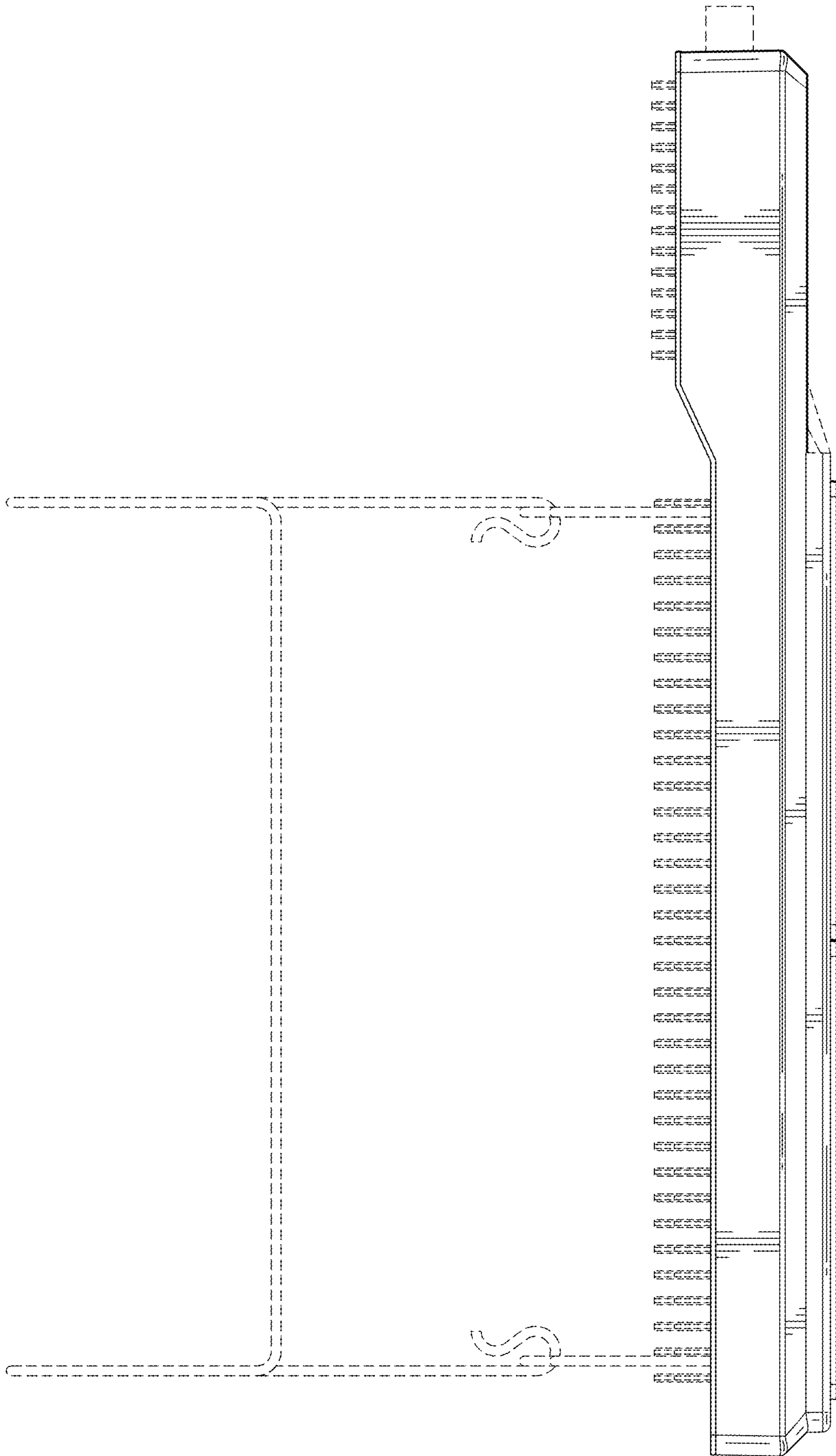


FIG. 2

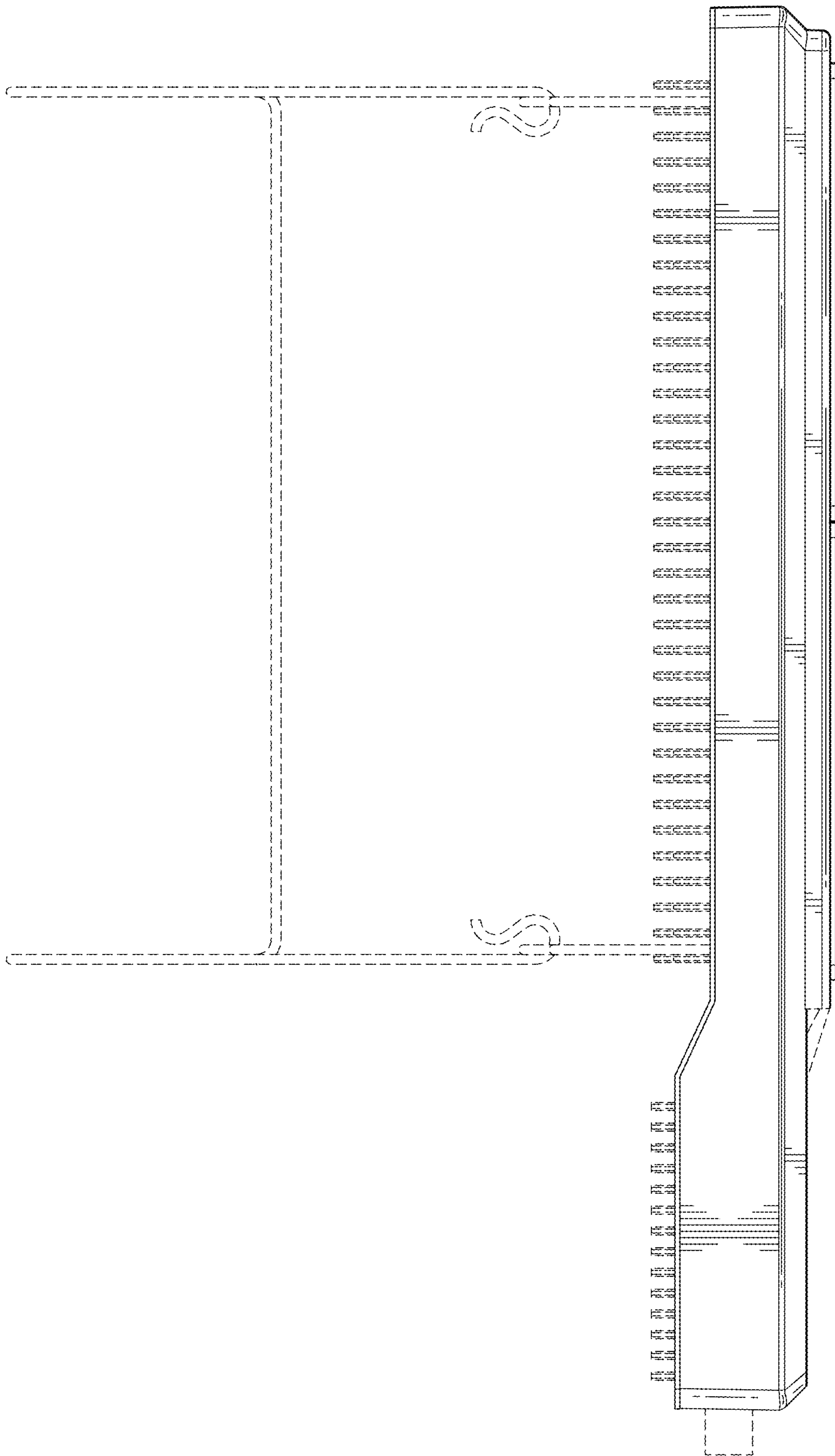


FIG. 3

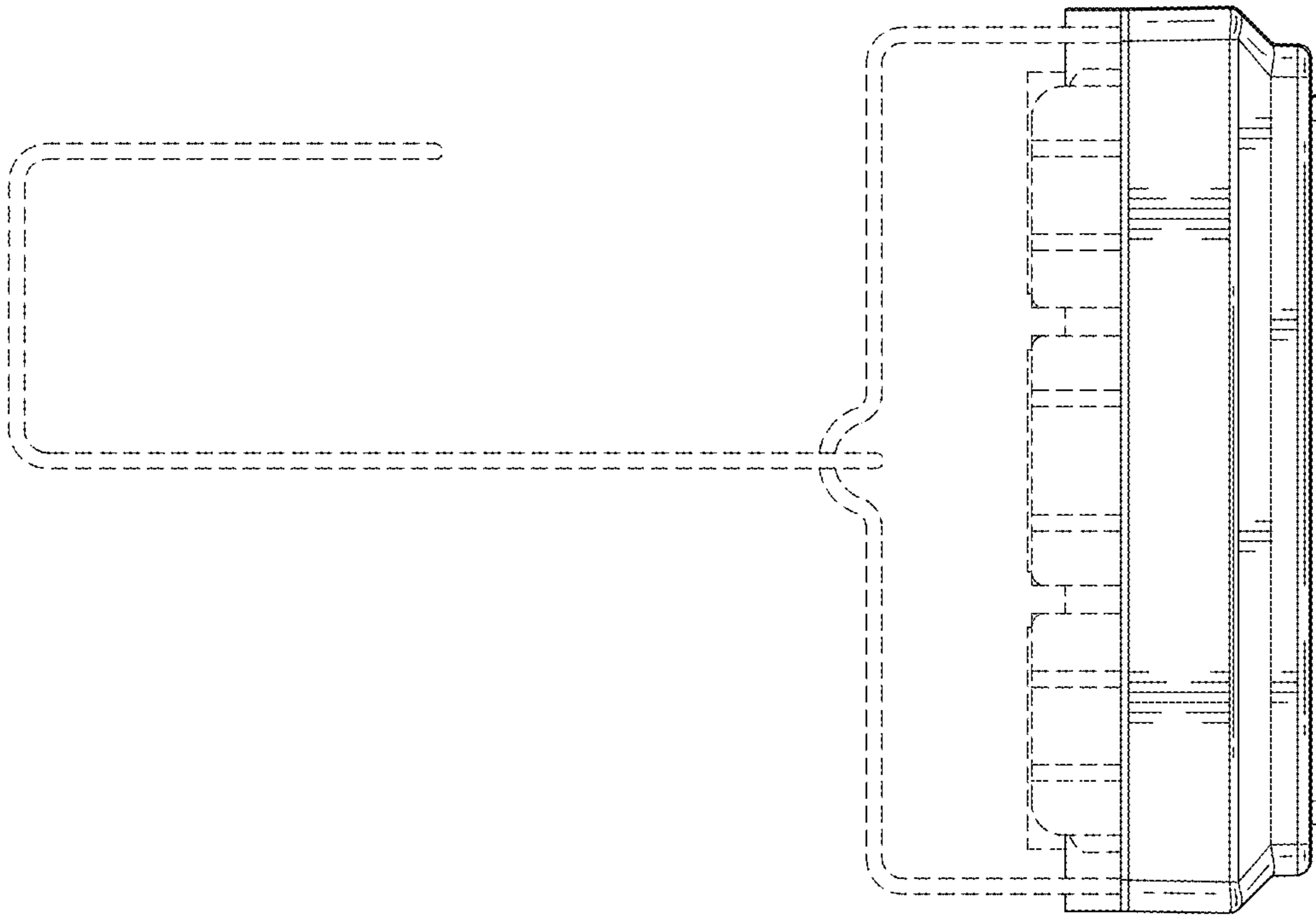


FIG. 5

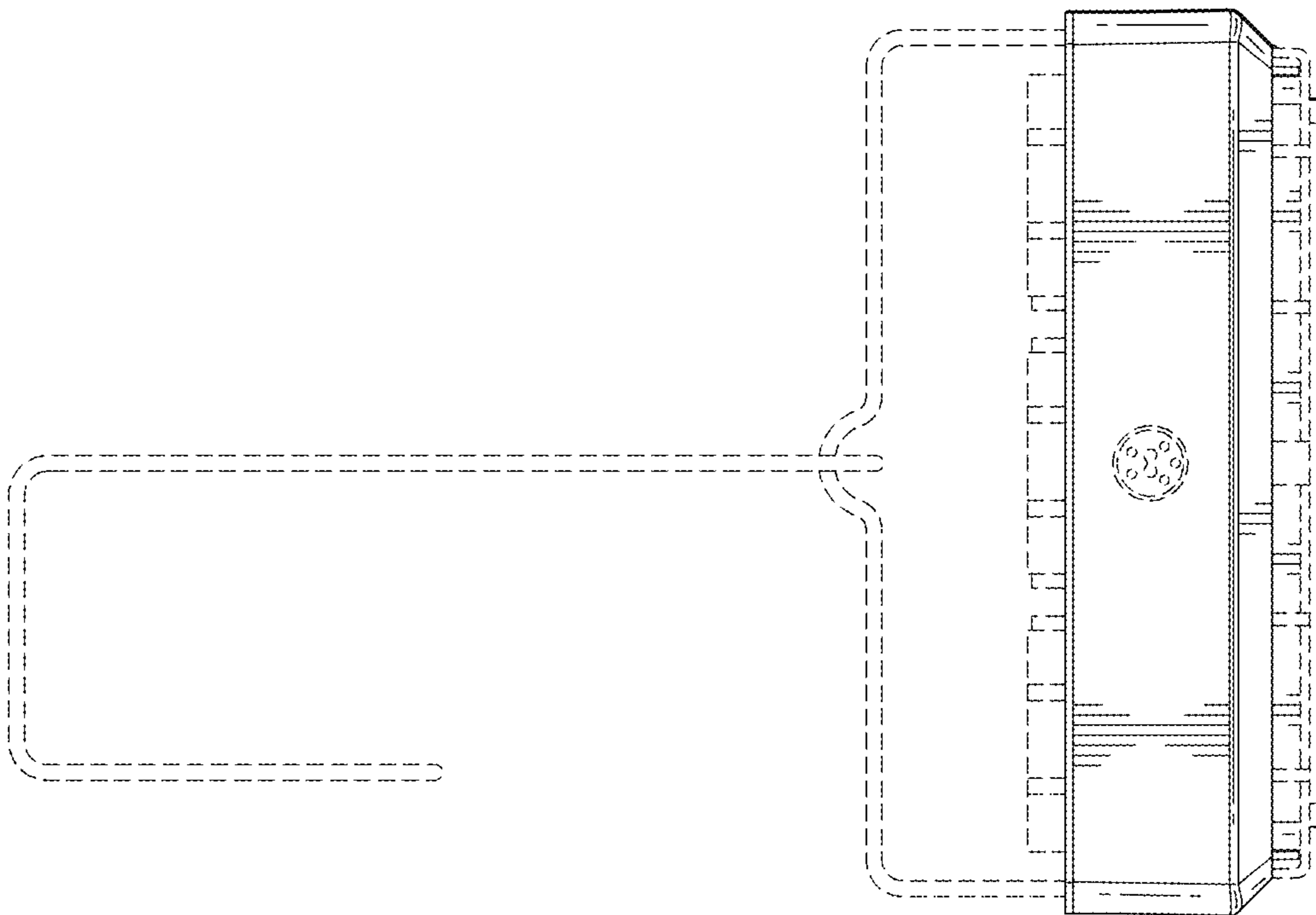


FIG. 4

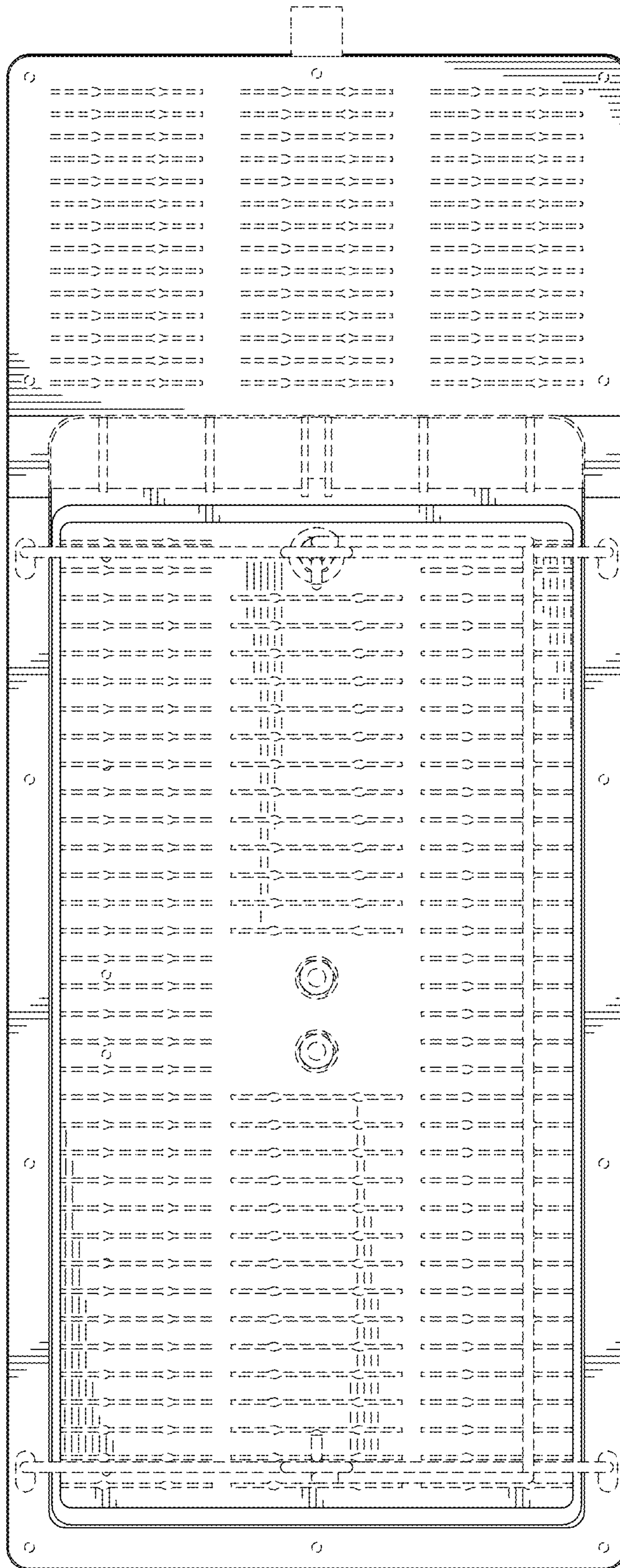


FIG. 6

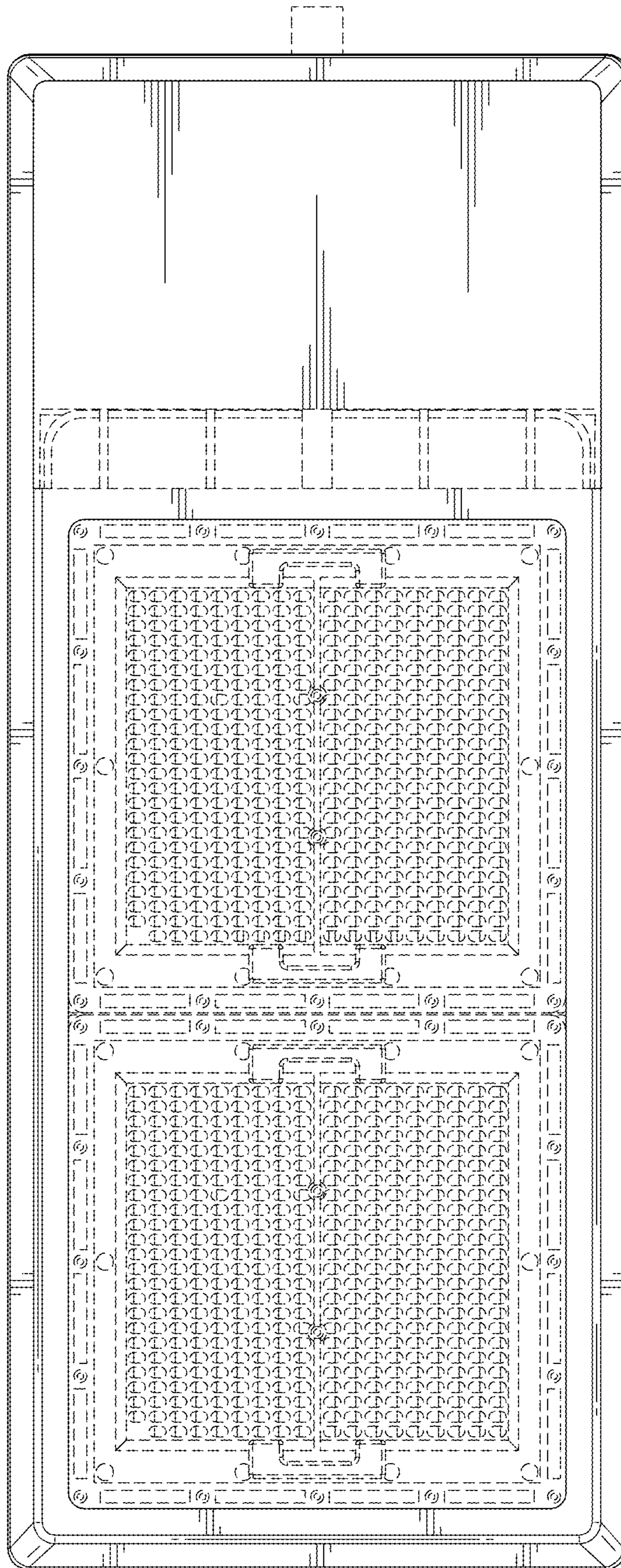


FIG. 7

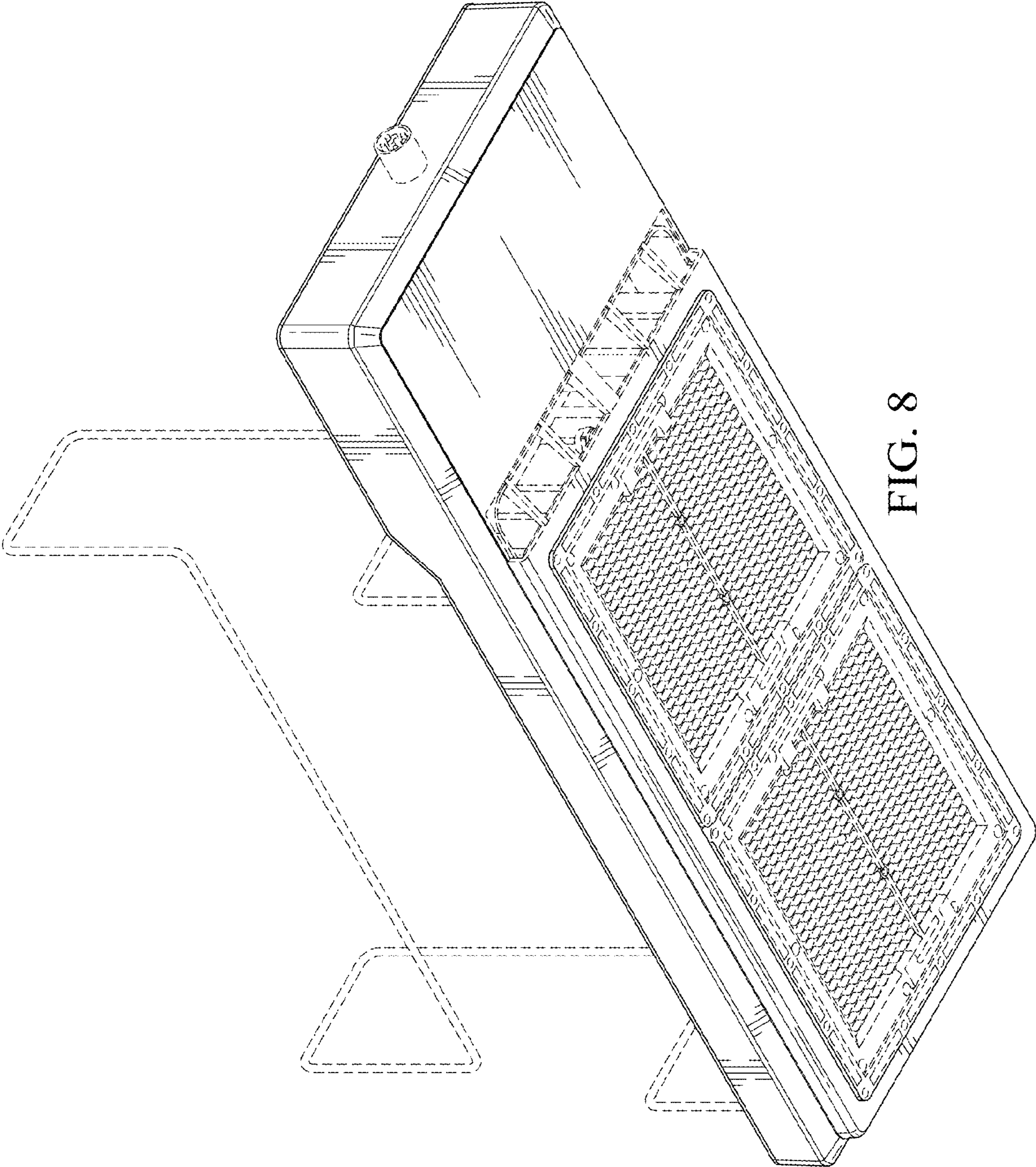


FIG. 8