



US00D972185S

(12) **United States Design Patent** (10) **Patent No.:** **US D972,185 S**  
**Yu** (45) **Date of Patent:** **\*\* Dec. 6, 2022**

(54) **LAWN LAMP**

FOREIGN PATENT DOCUMENTS

(71) Applicant: **NINGBO WELL ELECTRIC APPLIANCE CO., LTD.**, Ningbo (CN)

CN 305777204 \* 5/2020

(72) Inventor: **Guolin Yu**, Ningbo (CN)

OTHER PUBLICATIONS

(73) Assignee: **NINGBO WELL ELECTRIC APPLIANCE CO., LTD.**, Ningbo (CN)

Menards® | Smart Electrician® 300 Lumen LED Stake Light with 6' Cord, 2022, © 2004-2022 Menard, Inc. [online], [site visited Aug. 25, 2022] Available from Internet, <URL: https://www.menards.com/main/home.html (See attached NPL Document for full URL address)> (Year: 2022).\*

(\*\*) Term: **15 Years**

\* cited by examiner

(21) Appl. No.: **29/781,006**

*Primary Examiner* — Cary M Robinson  
*Assistant Examiner* — Julie Marie Bailey

(22) Filed: **Apr. 28, 2021**

(57) **CLAIM**

(51) **LOC (13) Cl.** ..... **26-03**

The ornamental design for a lawn lamp, as shown and described.

(52) **U.S. Cl.**  
USPC ..... **D26/67**

**DESCRIPTION**

(58) **Field of Classification Search**  
USPC ..... D26/61, 63, 67, 68, 113, 118  
CPC .. F21S 8/081; F21S 8/083; F21S 8/088; F21S 9/03; F21S 9/035; F21S 9/037; F21V 21/0824; F21W 2111/023; F21W 2131/109

FIG. 1 is a left, front, top perspective view of a lawn lamp showing my new design;  
FIG. 2 is a right, rear, bottom perspective view thereof;  
FIG. 3 is a left side elevational view thereof;  
FIG. 4 is a right side elevational view thereof;  
FIG. 5 is a rear plan view thereof;  
FIG. 6 is a front plan view thereof;  
FIG. 7 is a top elevational view thereof;  
FIG. 8 is a bottom elevational view thereof; and,  
FIG. 9 is an enlarged view of circled portion in FIG. 1.

See application file for complete search history.

The short dash-short dash broken lines in the drawings depict portions of the lawn lamp that form no part of the claimed design.

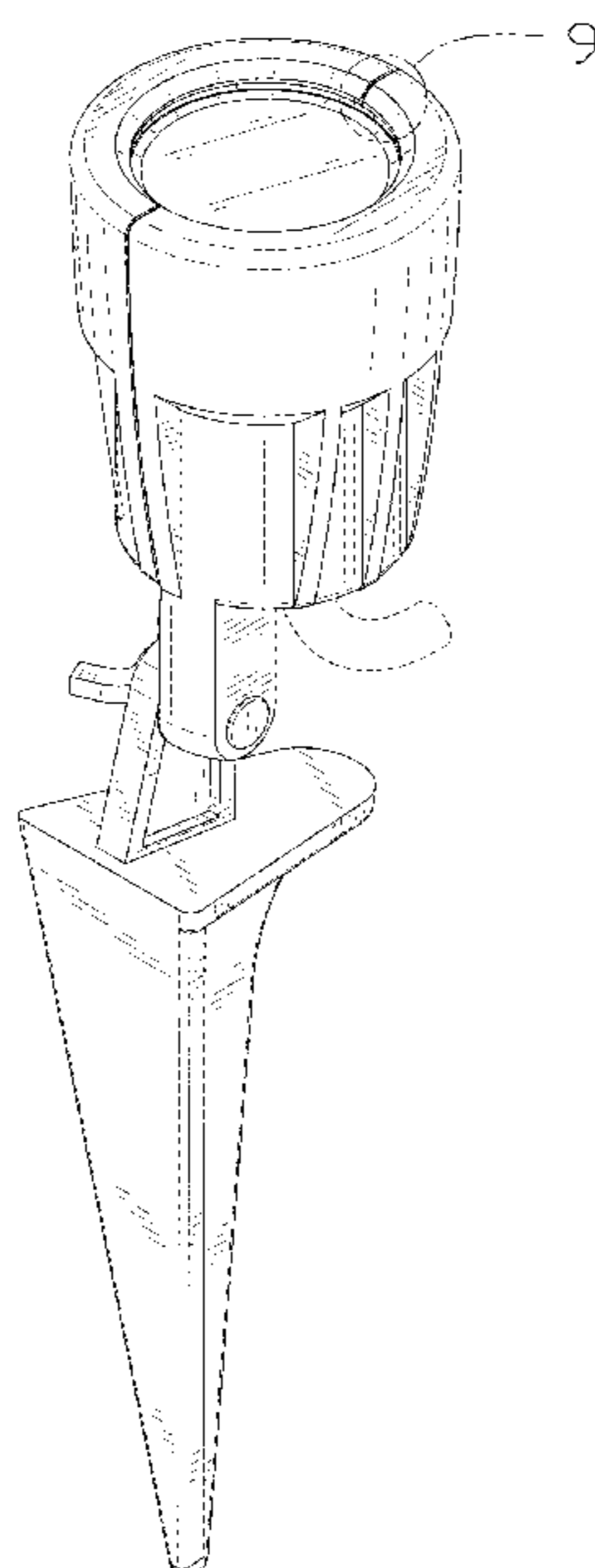
(56) **References Cited**

The short dash-long dash broken lines in the drawings depict the boundaries of the enlarged views and form no part of the claimed design.

U.S. PATENT DOCUMENTS

D766,483 S \* 9/2016 Khubani ..... D26/68  
D773,709 S \* 12/2016 Yang ..... D26/63  
D778,478 S \* 2/2017 Khubani ..... D26/63  
10,132,480 B2 \* 11/2018 Ghasabi ..... F21V 1/00  
D892,377 S \* 8/2020 Zhu ..... D26/63  
10,823,377 B1 \* 11/2020 Hsu ..... F21V 19/02  
D915,654 S \* 4/2021 Hsu ..... F21V 19/02  
D26/63

**1 Claim, 9 Drawing Sheets**



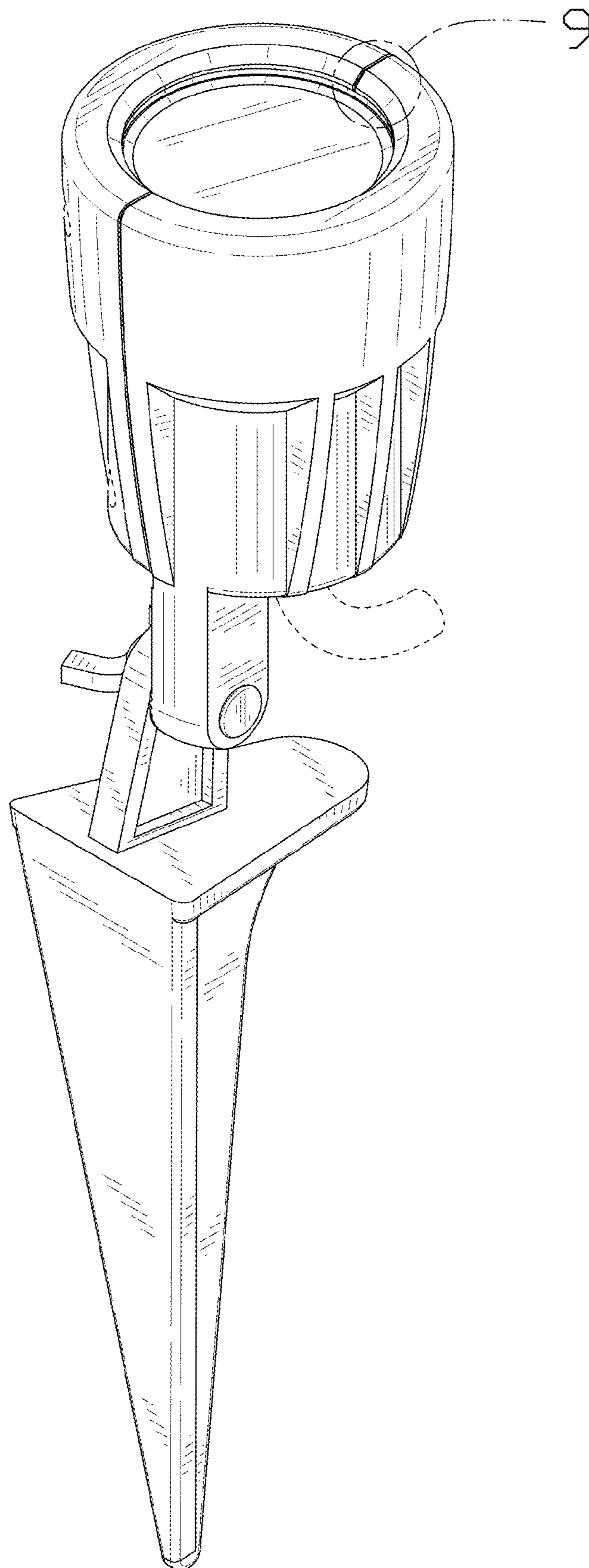


FIG. 1

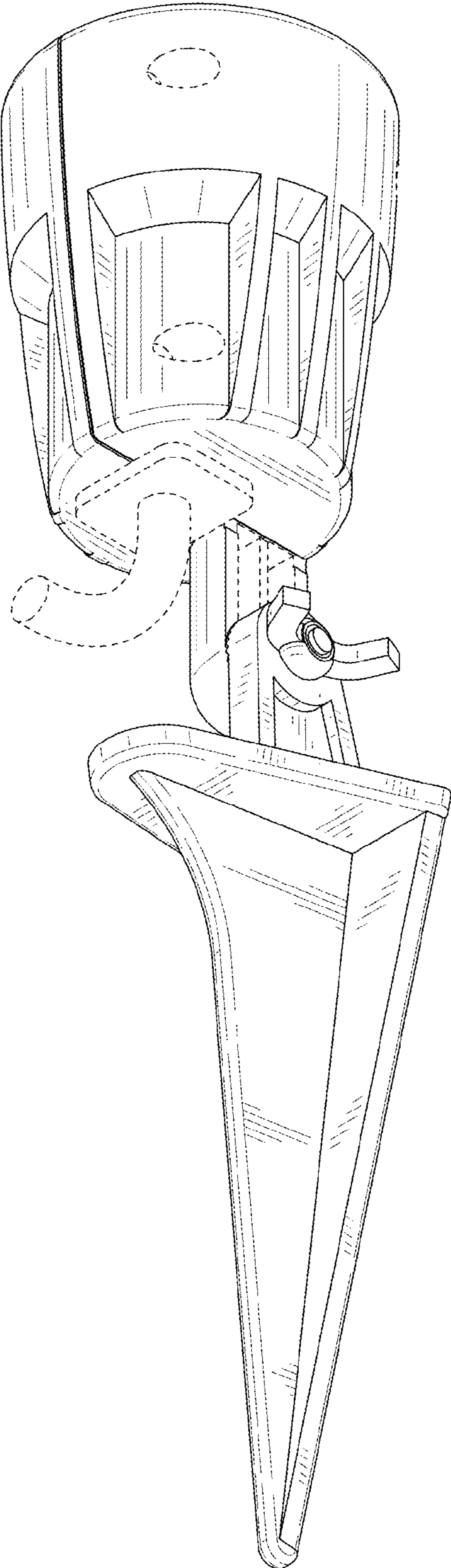


FIG. 2

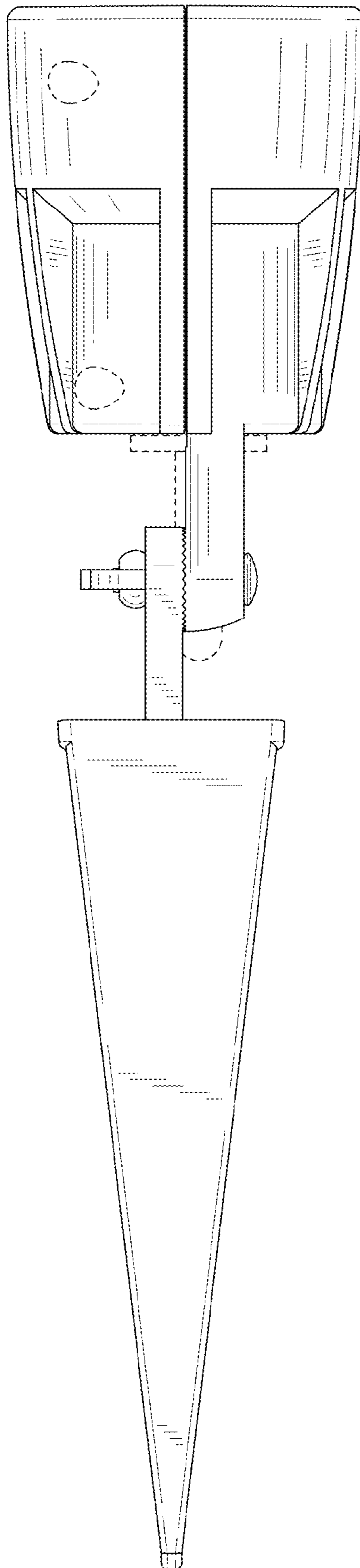


FIG. 3

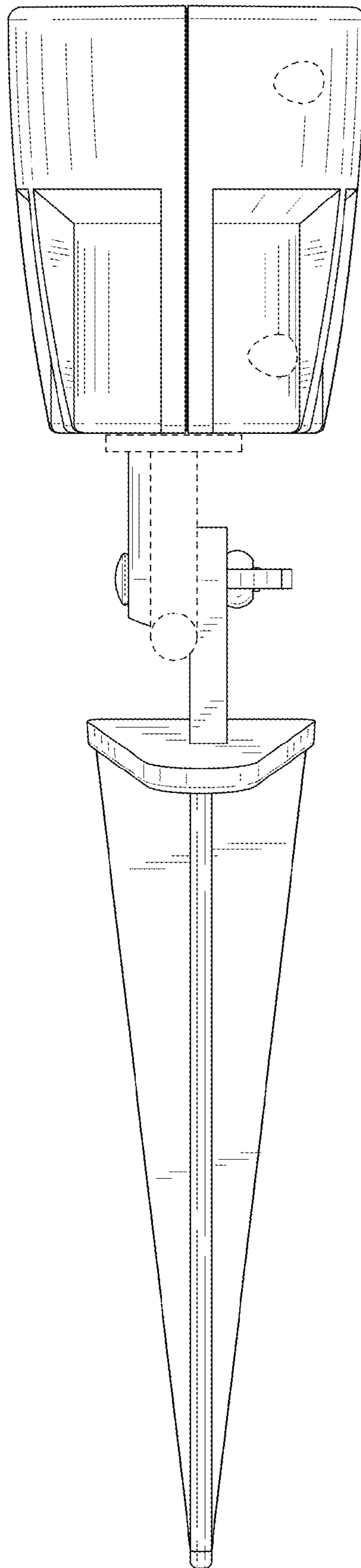


FIG. 4

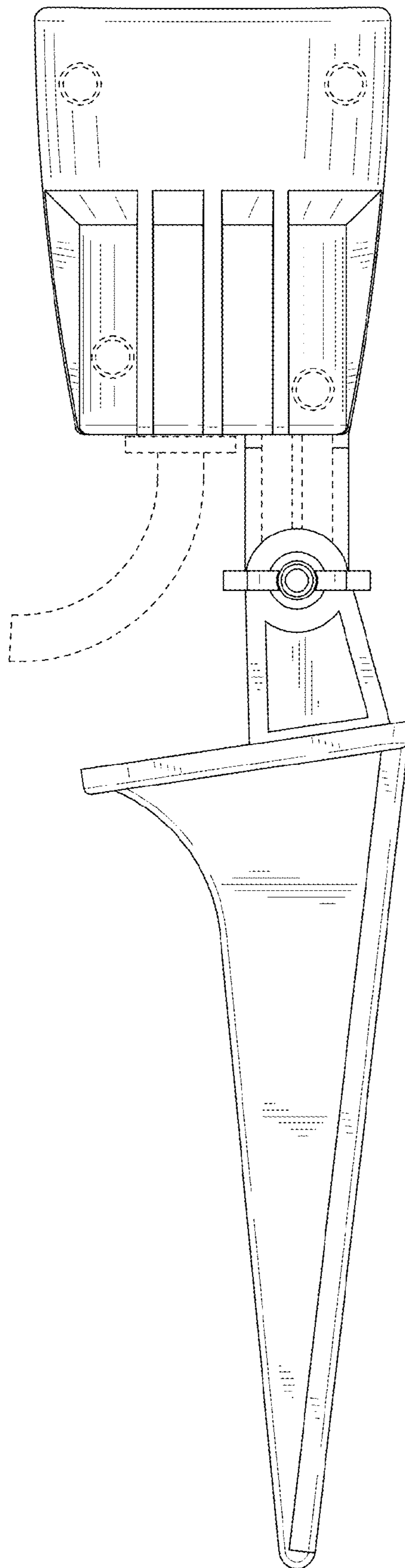


FIG. 5

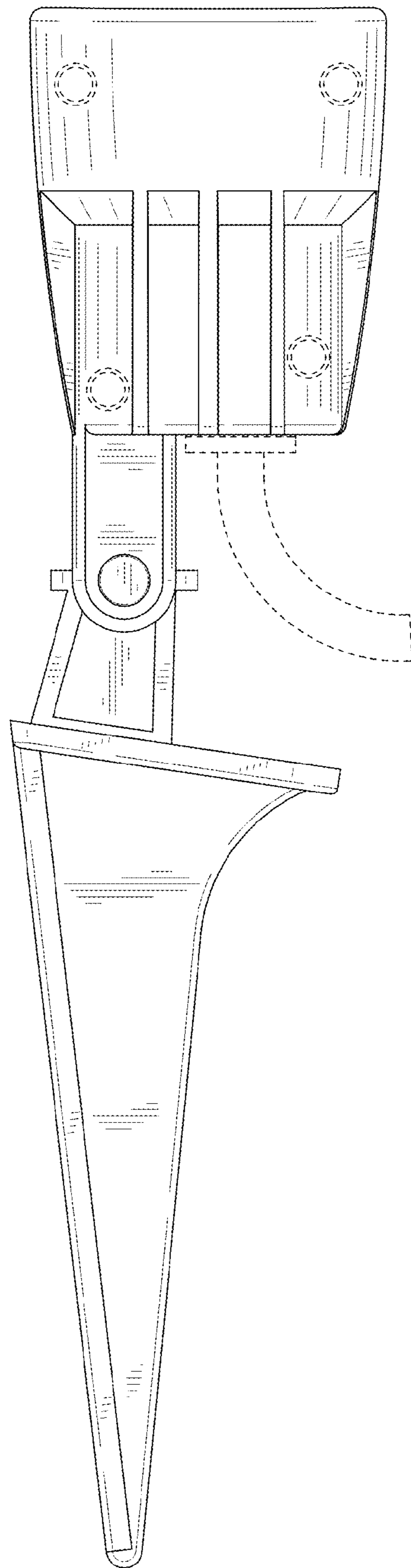


FIG. 6

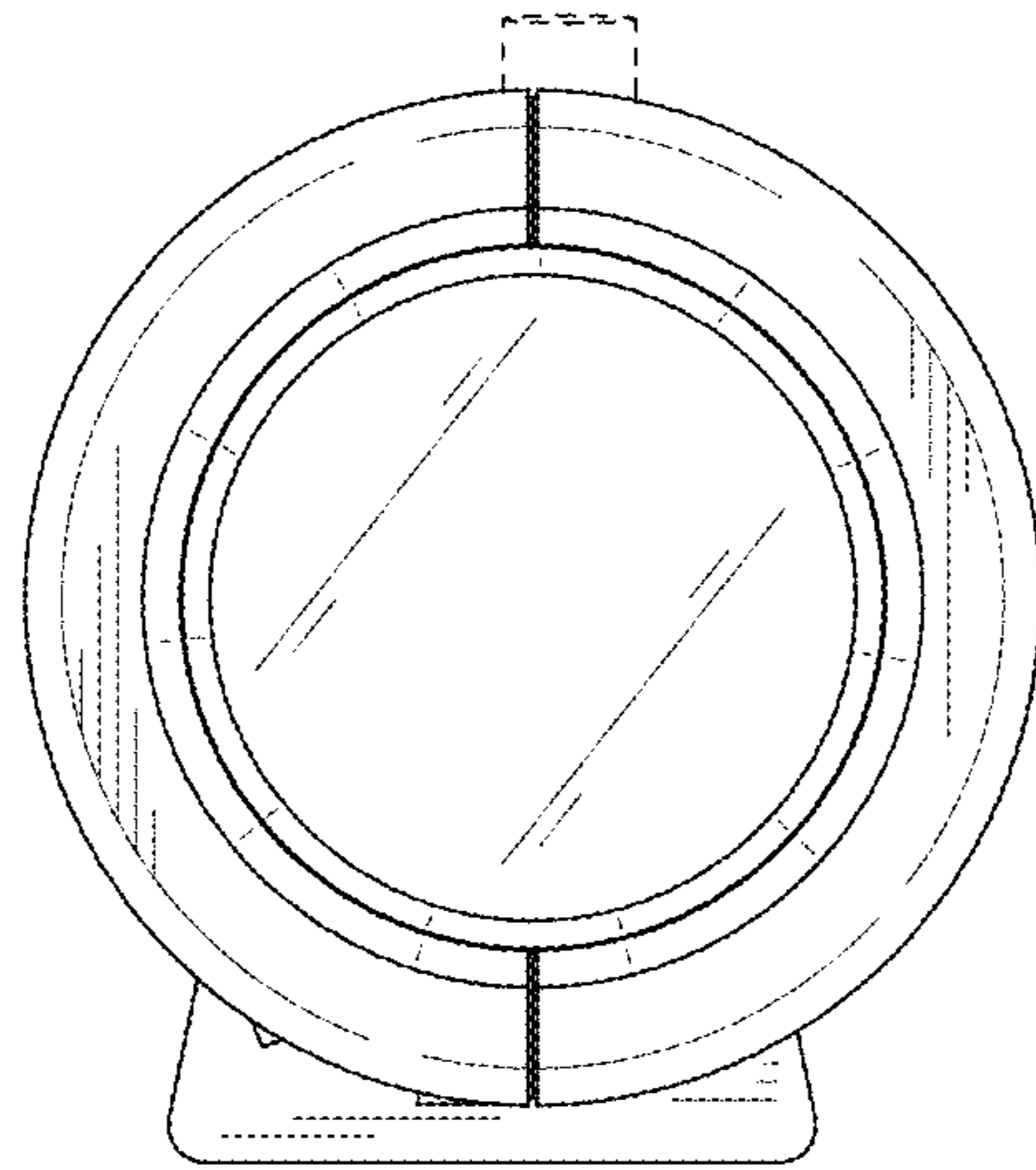


FIG. 7



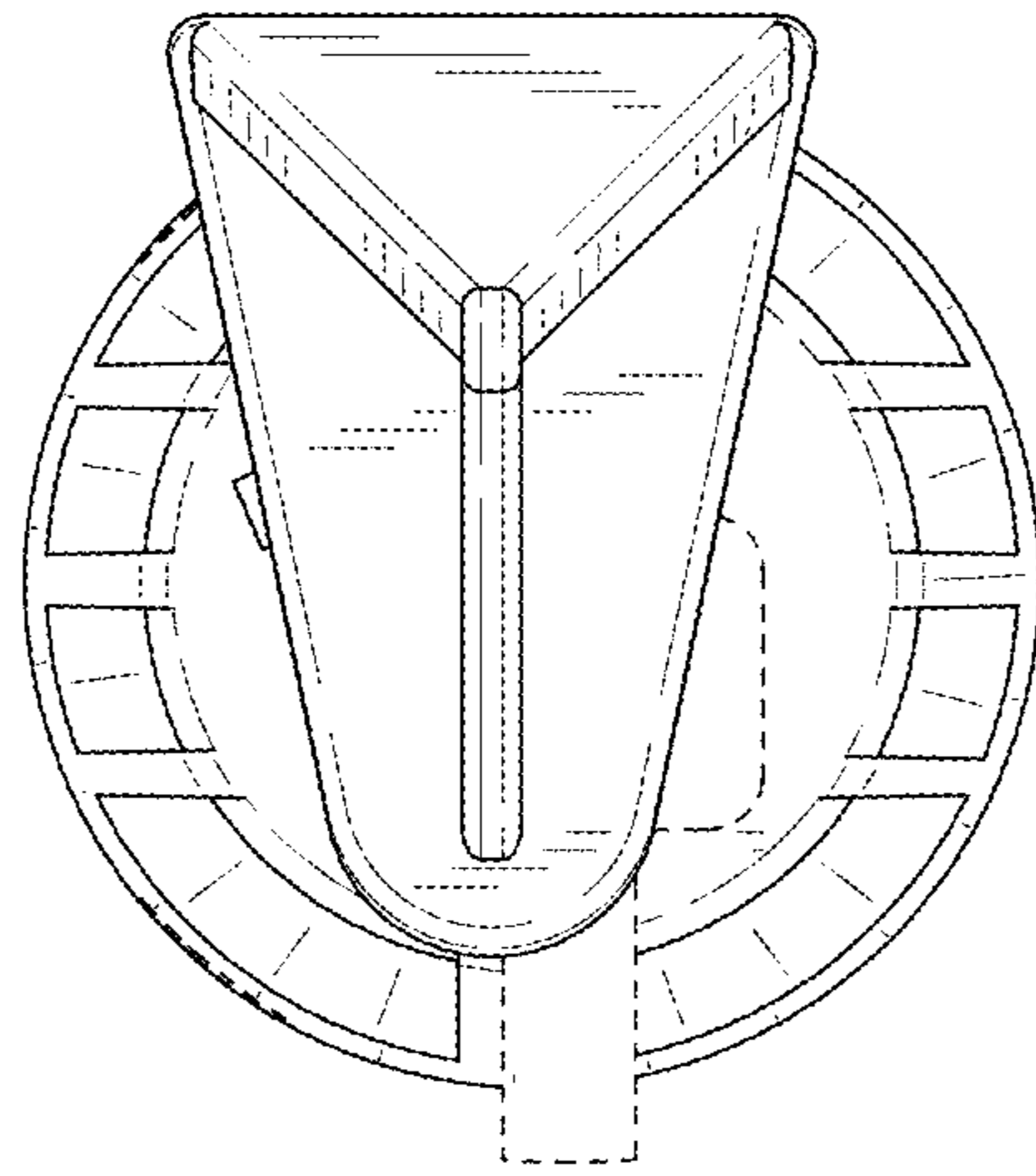


FIG. 8

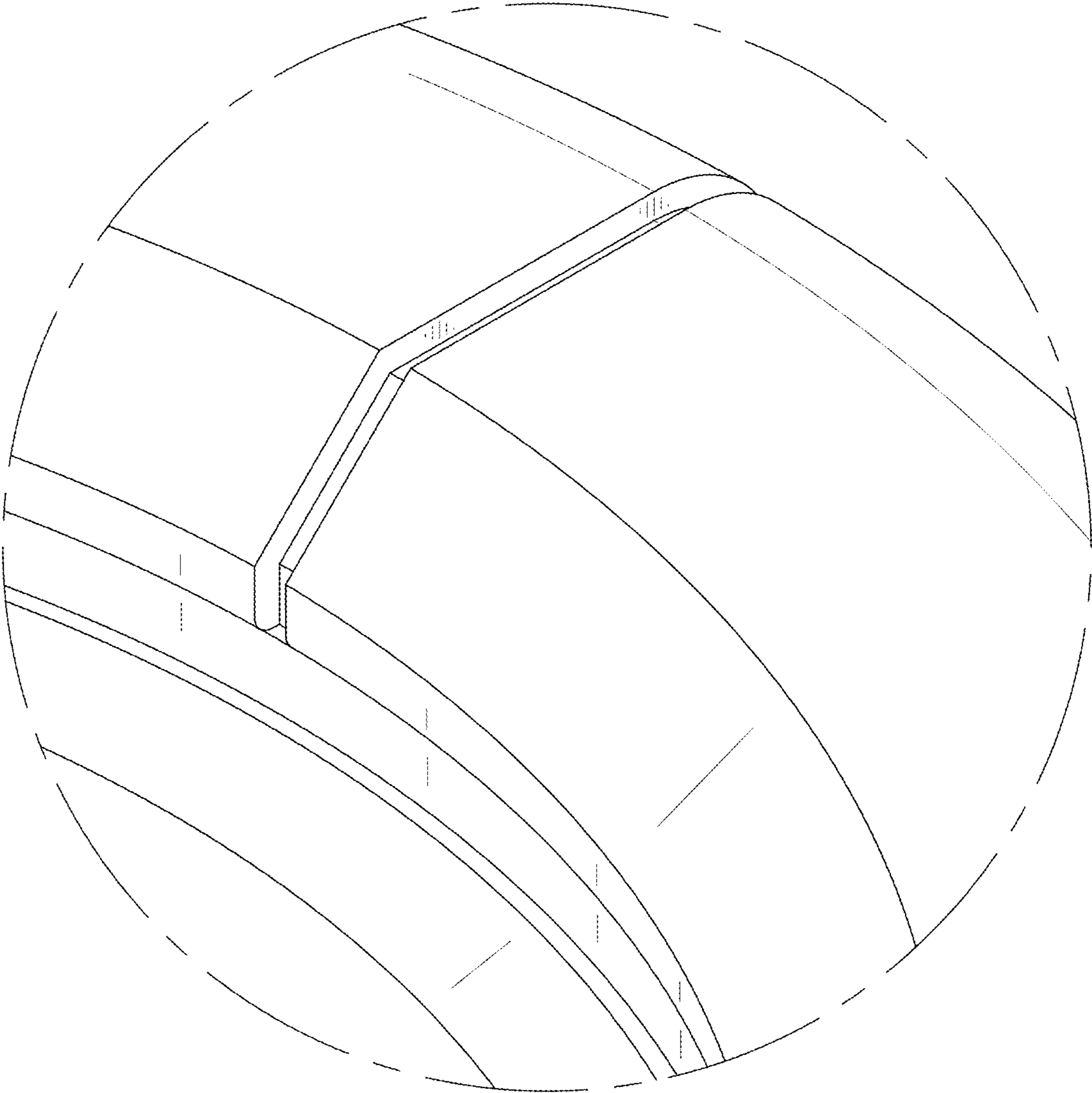


FIG. 9