

US00D972184S

(12) **United States Design Patent** (10) **Patent No.:** **US D972,184 S**  
**Zhang** (45) **Date of Patent:** **\*\* Dec. 6, 2022**

(54) **COLUMN HEADLIGHT**

OTHER PUBLICATIONS

(71) Applicant: **Donglin Zhang**, Jinniu Town (CN)  
(72) Inventor: **Donglin Zhang**, Jinniu Town (CN)  
(73) Assignee: **Shenzhen YuYiYuan Technology Co., Ltd**, Shenzhen (CN)

Xml Solar | Solar Post Light, posted on Dec. 19, 2016, no copyright date posted [online], site visited Aug. 30, 2022]. Available from Internet, <URL: <https://www.xml-solar.com/en/product/204/> (See attached NPL Document for full URL address)> (Year: 2016).\*

\* cited by examiner

(\*\*) Term: **15 Years**

*Primary Examiner* — Cary M Robinson  
*Assistant Examiner* — Julie Marie Bailey

(21) Appl. No.: **29/778,194**

(74) *Attorney, Agent, or Firm* — Xuan Zhang

(22) Filed: **Apr. 12, 2021**

(51) **LOC (13) Cl.** ..... **26-03**

(57) **CLAIM**

(52) **U.S. Cl.**  
USPC ..... **D26/67**

The ornamental design for a column headlight, as shown and described.

(58) **Field of Classification Search**  
USPC ..... D26/40, 67, 72, 113; D25/126-135  
CPC ..... F21S 8/00; F21S 8/088; F21W 2111/02;  
F21W 2131/10; F21W 2131/109  
See application file for complete search history.

**DESCRIPTION**

(56) **References Cited**

FIG. 1 is a perspective view of a column headlight showing my new design;  
FIG. 2 is a top view thereof;  
FIG. 3 is a bottom view thereof;  
FIG. 4 is a left view thereof;  
FIG. 5 is a right view thereof;  
FIG. 6 is a front view thereof; and,  
FIG. 7 is a rear view thereof.  
The broken lines in the drawings are included for the purpose of illustrating environmental structure and forms no part of the claimed design.

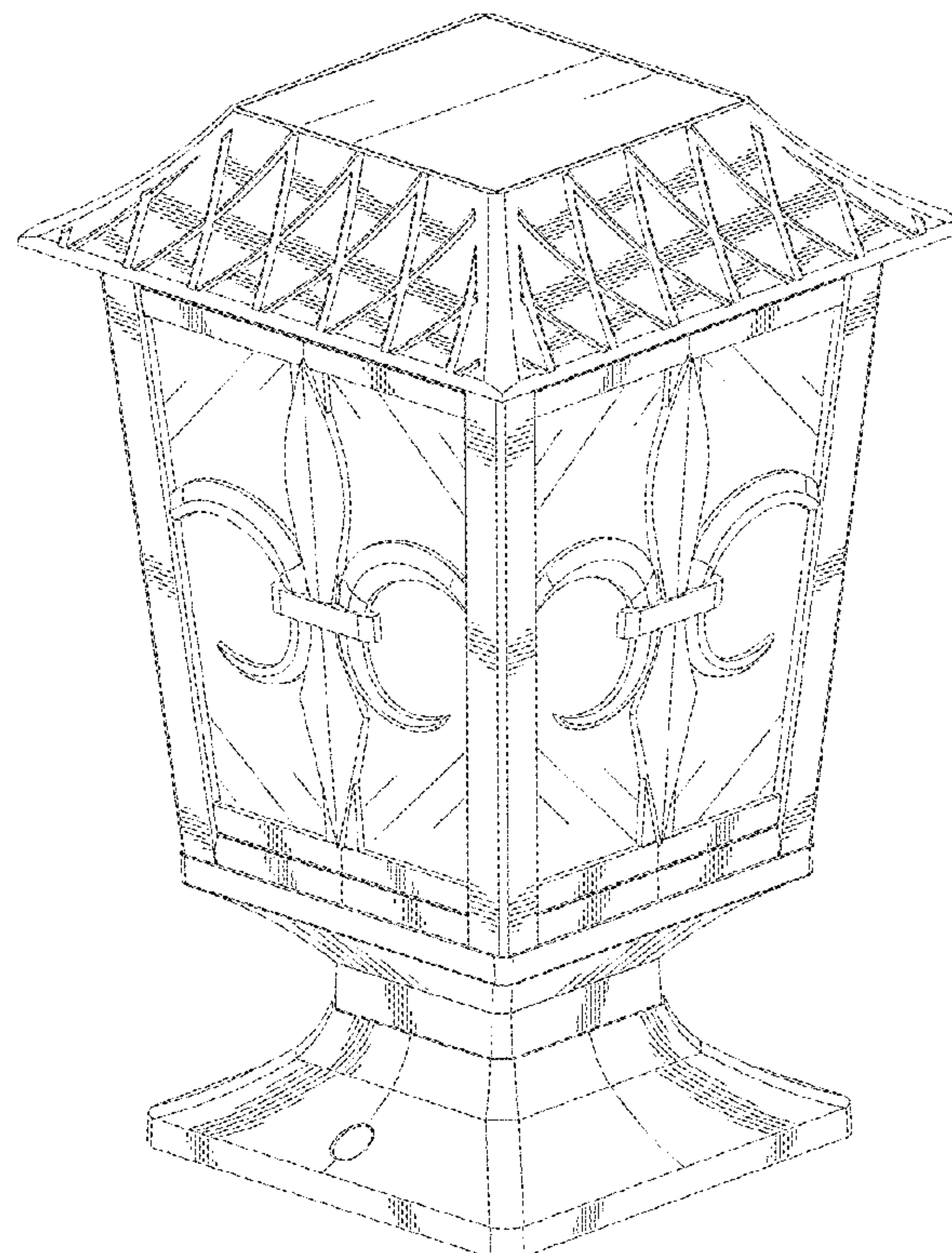
U.S. PATENT DOCUMENTS

D495,084 S \* 8/2004 Hon ..... D26/67  
D497,684 S \* 10/2004 Hon ..... D26/67  
D694,932 S \* 12/2013 Meyer ..... D26/67  
D910,897 S \* 2/2021 Liu ..... D26/67  
D961,142 S \* 8/2022 Zhuang ..... D26/67

FOREIGN PATENT DOCUMENTS

CN 304456554 \* 1/2018

**1 Claim, 7 Drawing Sheets**



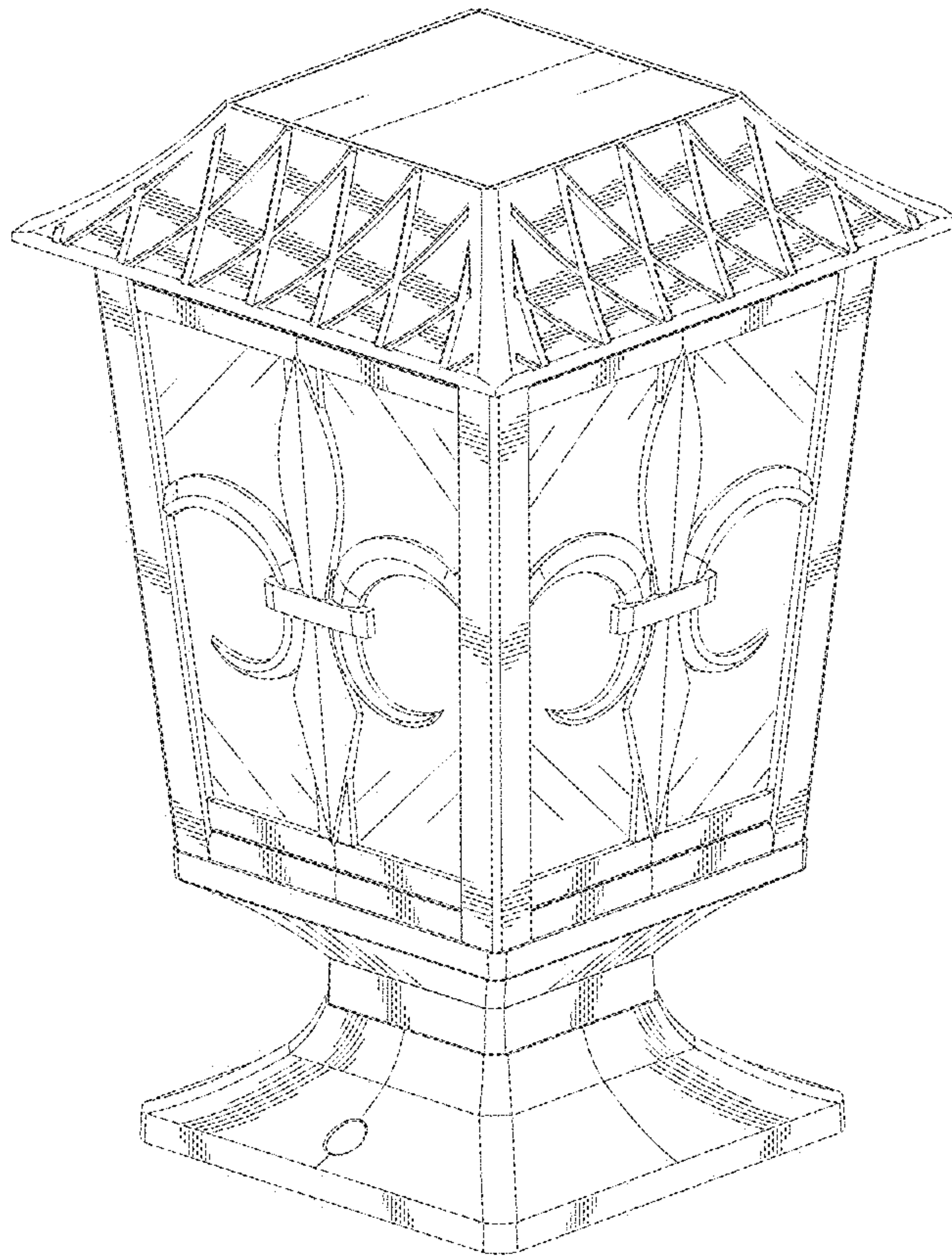


FIG.1

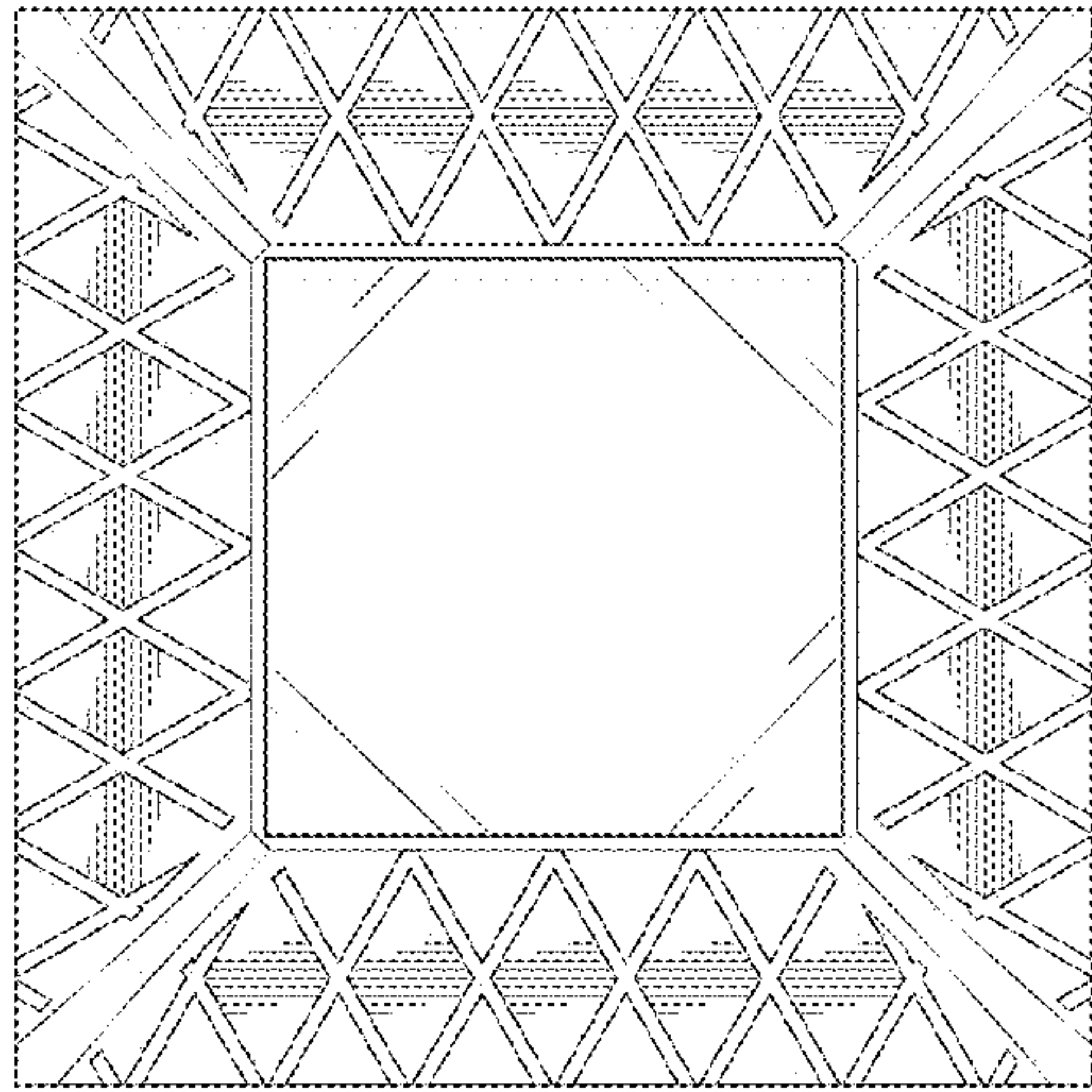


FIG.2

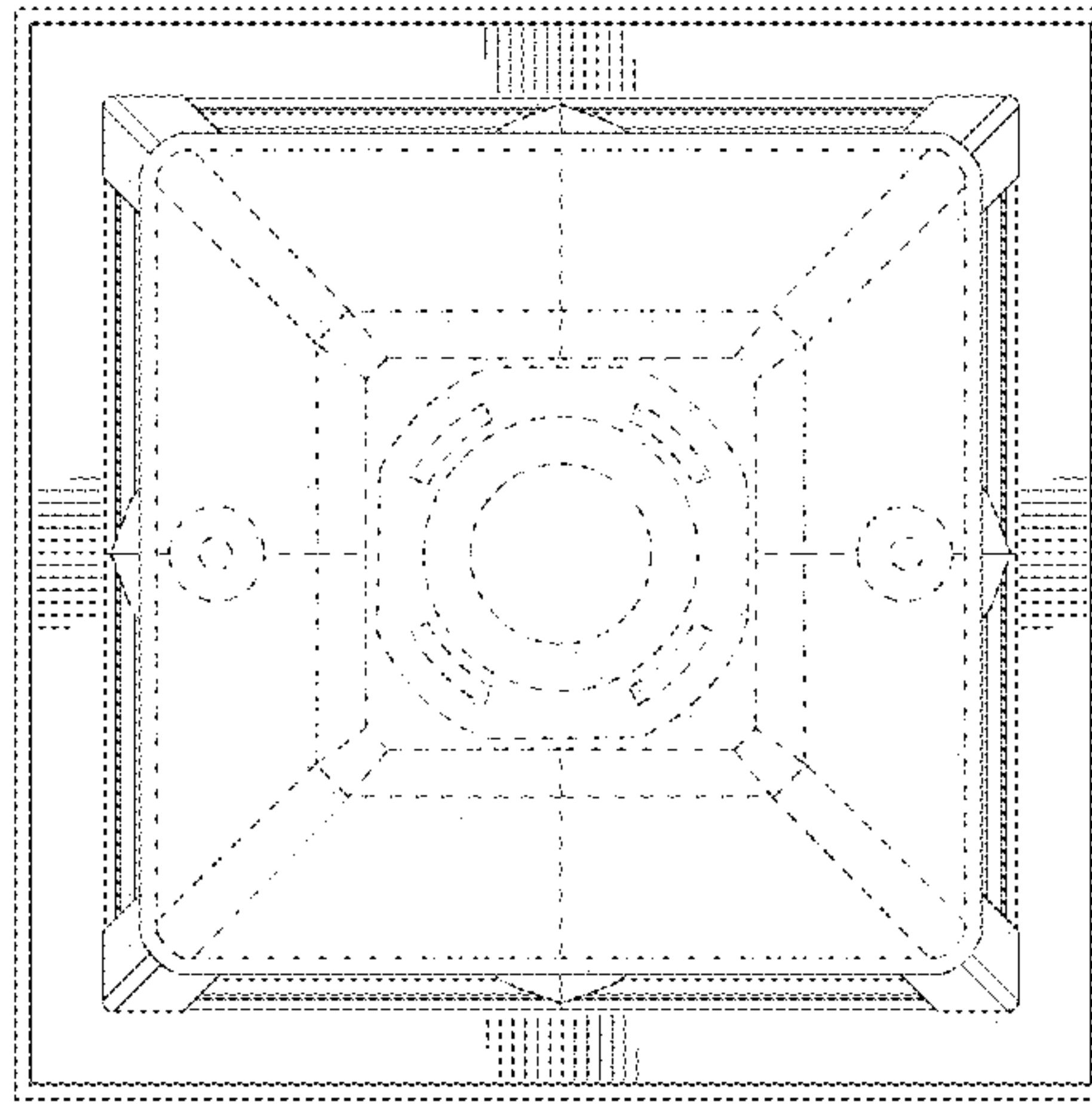


FIG.3



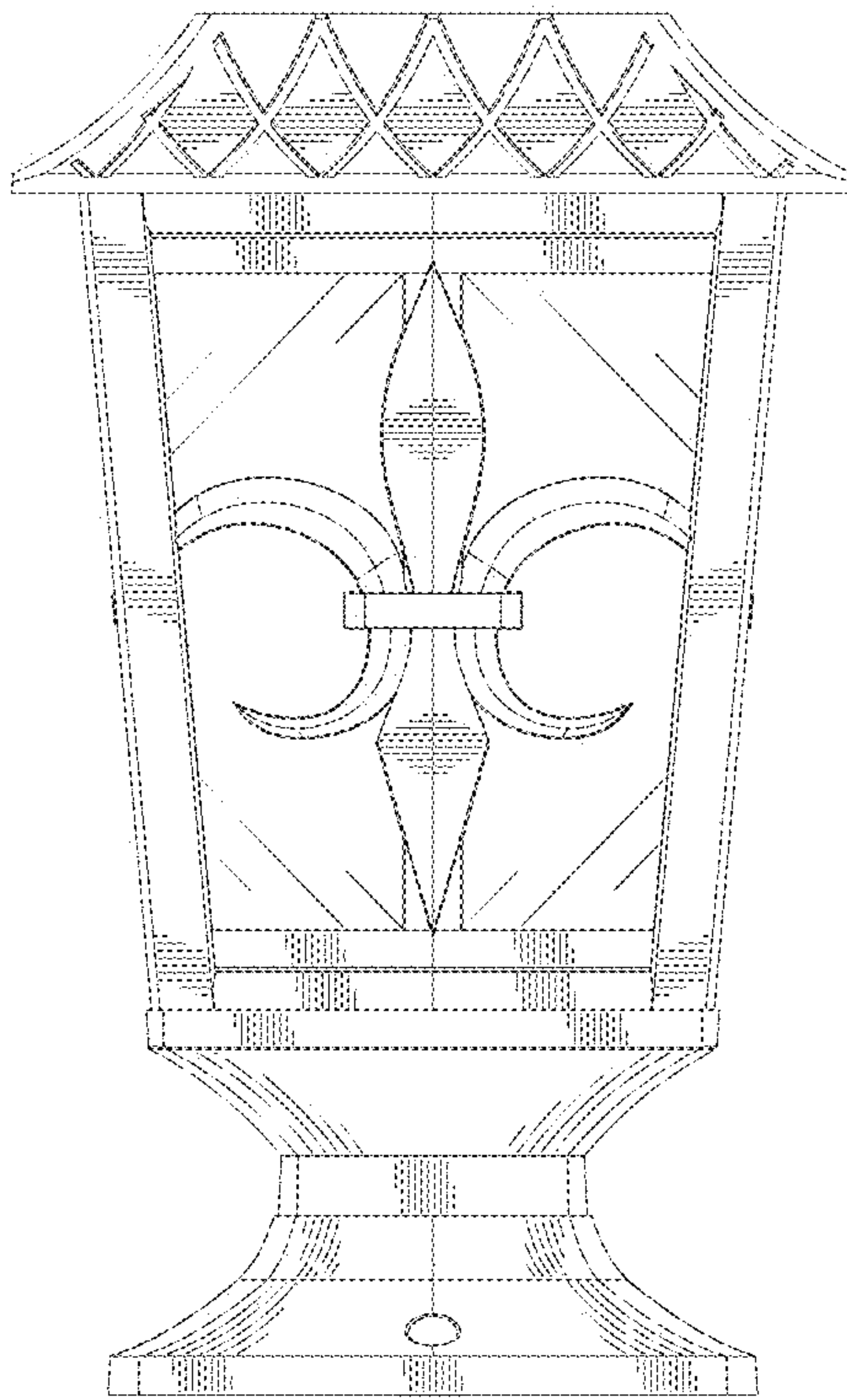


FIG.4

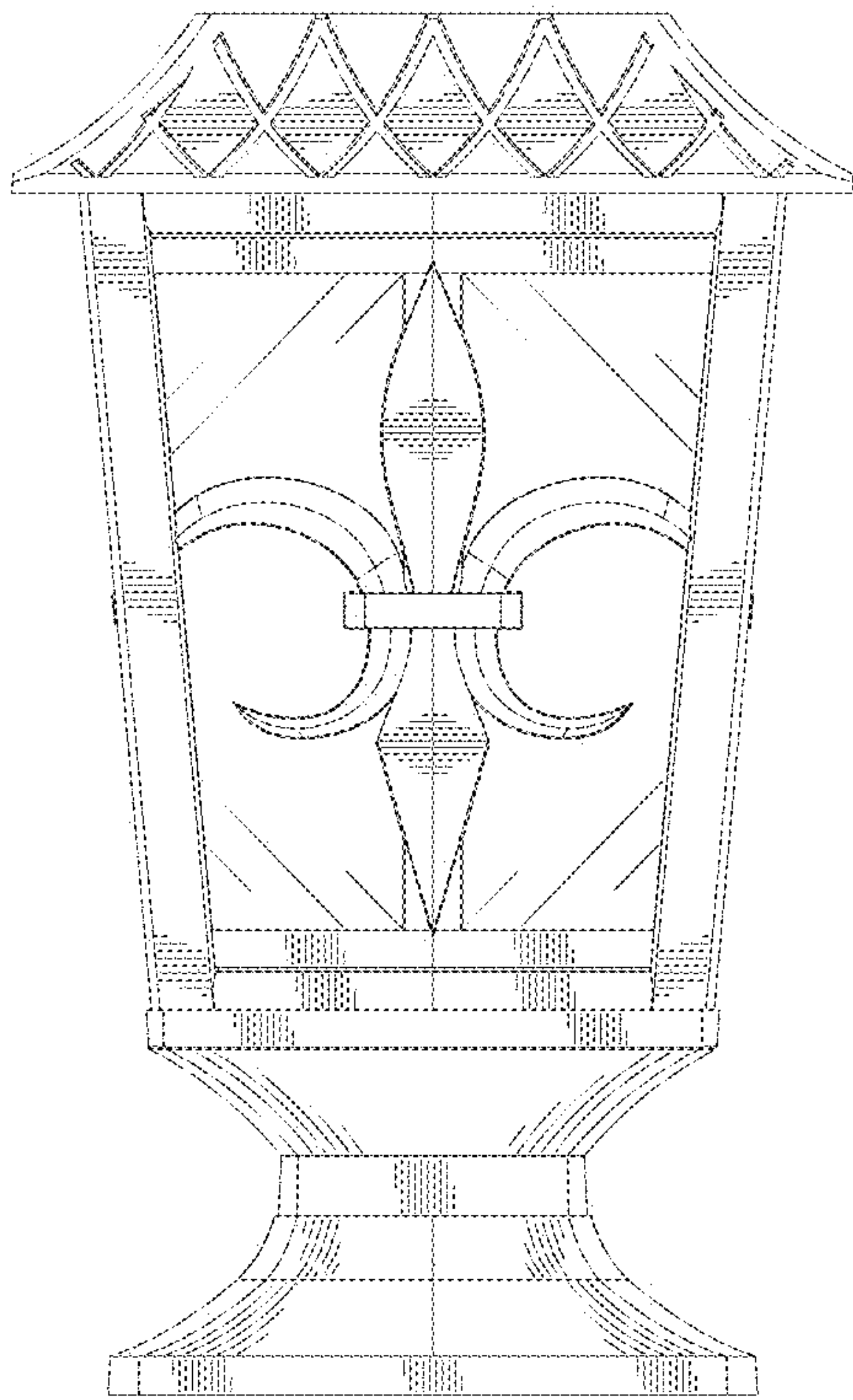


FIG. 5

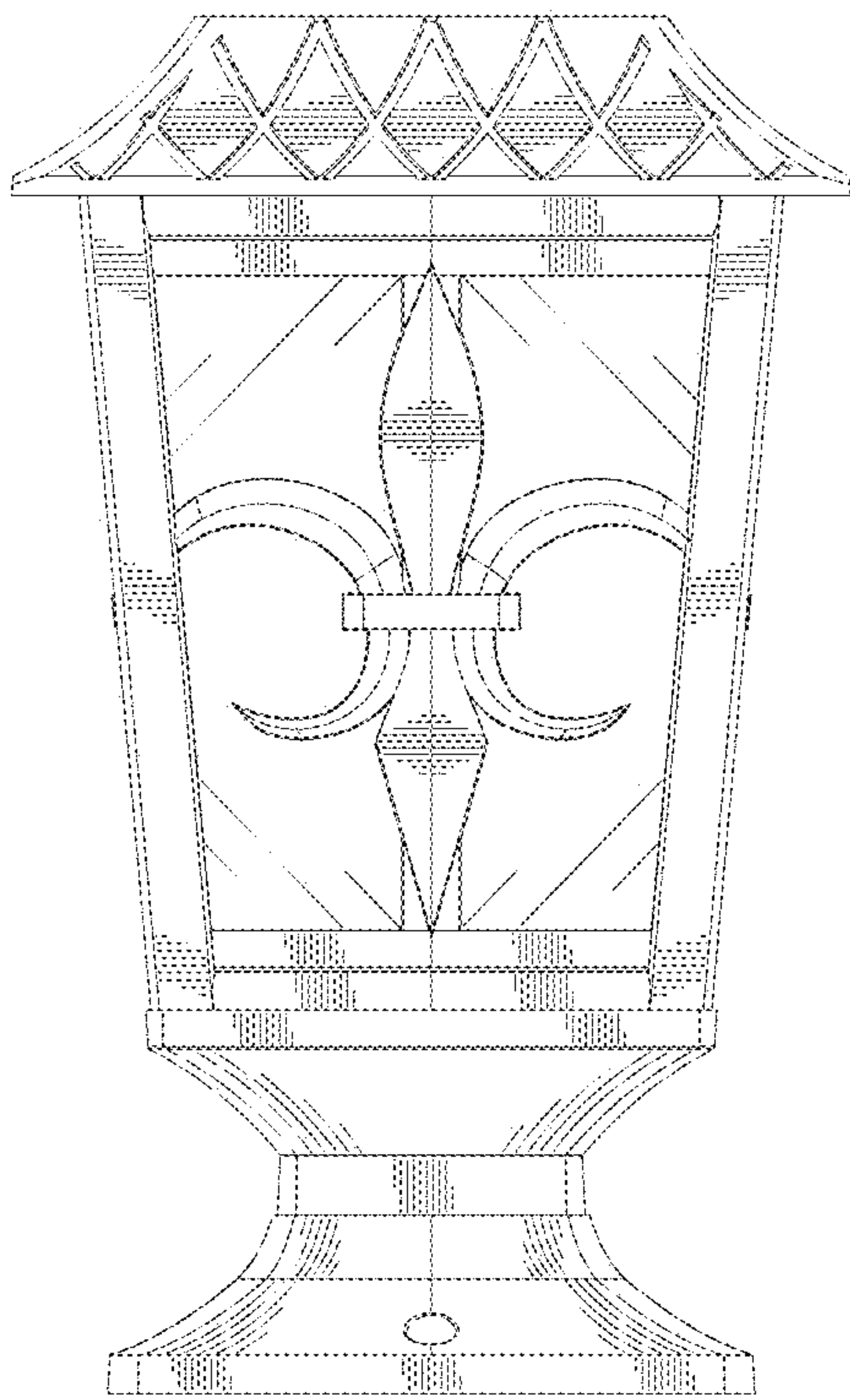


FIG. 6

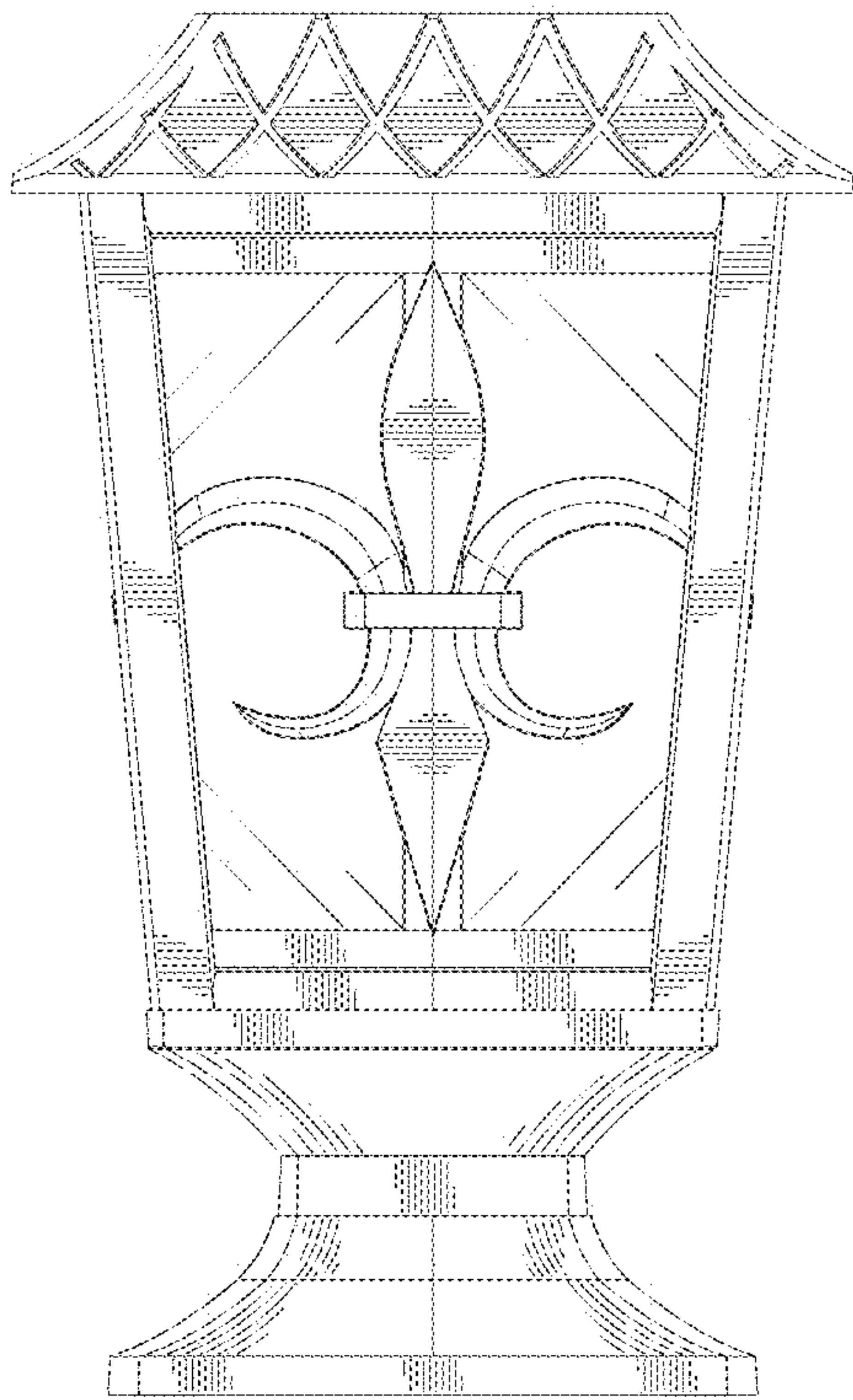


FIG. 7