

US00D972183S

(12) **United States Design Patent** (10) **Patent No.:** **US D972,183 S**
Ni (45) **Date of Patent:** **** Dec. 6, 2022**

(54) **DESK LAMP**

- (71) Applicant: **Shenzhen Lan Liao Technology Co., Ltd.**, Shenzhen (CN)
- (72) Inventor: **Weiyang Ni**, Leiyang (CN)
- (**) Term: **15 Years**
- (21) Appl. No.: **29/815,792**
- (22) Filed: **Nov. 16, 2021**
- (51) **LOC (13) Cl.** **26-05**
- (52) **U.S. Cl.**
USPC **D26/63; D26/93**
- (58) **Field of Classification Search**
USPC D26/24, 61, 63, 64, 65, 66, 93, 102, 108,
D26/118, 105, 106, 107, 109
CPC .. F21S 6/002; F21S 6/003; F21S 6/006; F21S
6/008; F21S 13/12
See application file for complete search history.

(56) **References Cited**

U.S. PATENT DOCUMENTS

D75,746 S	*	7/1928	Peters	D26/65
D178,415 S	*	7/1956	Mugnai	D26/63
D217,063 S	*	3/1970	Daito	D26/62
D229,627 S	*	12/1973	Morris	D26/107
D391,665 S	*	3/1998	Yang	D26/108
D409,322 S	*	5/1999	Yang	D26/107
D411,639 S	*	6/1999	Yang	D26/63
D469,202 S	*	1/2003	Tsai	D26/65
D480,827 S	*	10/2003	Hsieh	D26/108
D600,386 S	*	9/2009	Huang	D26/63
D607,141 S	*	12/2009	Huang	D26/107
D742,573 S	*	11/2015	Kern	D26/65
D760,941 S	*	7/2016	Dixon	D26/107
D806,924 S	*	1/2018	Gelman	D26/62
D892,390 S	*	8/2020	Tong	D26/108
D892,391 S		8/2020	Tong		
D898,981 S	*	10/2020	Liu	D26/108
D899,669 S	*	10/2020	Liu	D26/108
D901,741 S	*	11/2020	Yang	D26/63
D905,320 S	*	12/2020	Richardson	D26/108

OTHER PUBLICATIONS

Dimmable LED Desk Lamp, posted at Amazon, date first available Oct. 7, 2020. Site visited Jul. 7, 2022. Available from internet, URL: https://www.amazon.com/AmazonBasics-Dimmable-Office-Lighting-Brightness/dp/B084Z919ZD/ref=sr_1_96?keywords=desk+lamp&qid=1658179528&sr=8-96 (Year: 2020).*

Lorell, posted at Amazon, date first available Feb. 11, 2019. Site visited Jul. 7, 2022. Available from internet, URL: https://www.amazon.com/Lorell-99953-10-watt-All-Metal-Black/dp/B07NVW6D7M/ref=sr_1_1?crd=1513V3AKVAB9Y&keywords=lorell+99953&qid=1658344619&srefix=lorell+99953%2Caps%2C102&sr=8-1 (Year: 2019).*

* cited by examiner

Primary Examiner — Kathleen L Jones

Assistant Examiner — Vanessa Martinez

(74) *Attorney, Agent, or Firm* — Che-Yang Chen; Law Office of Michael Chen

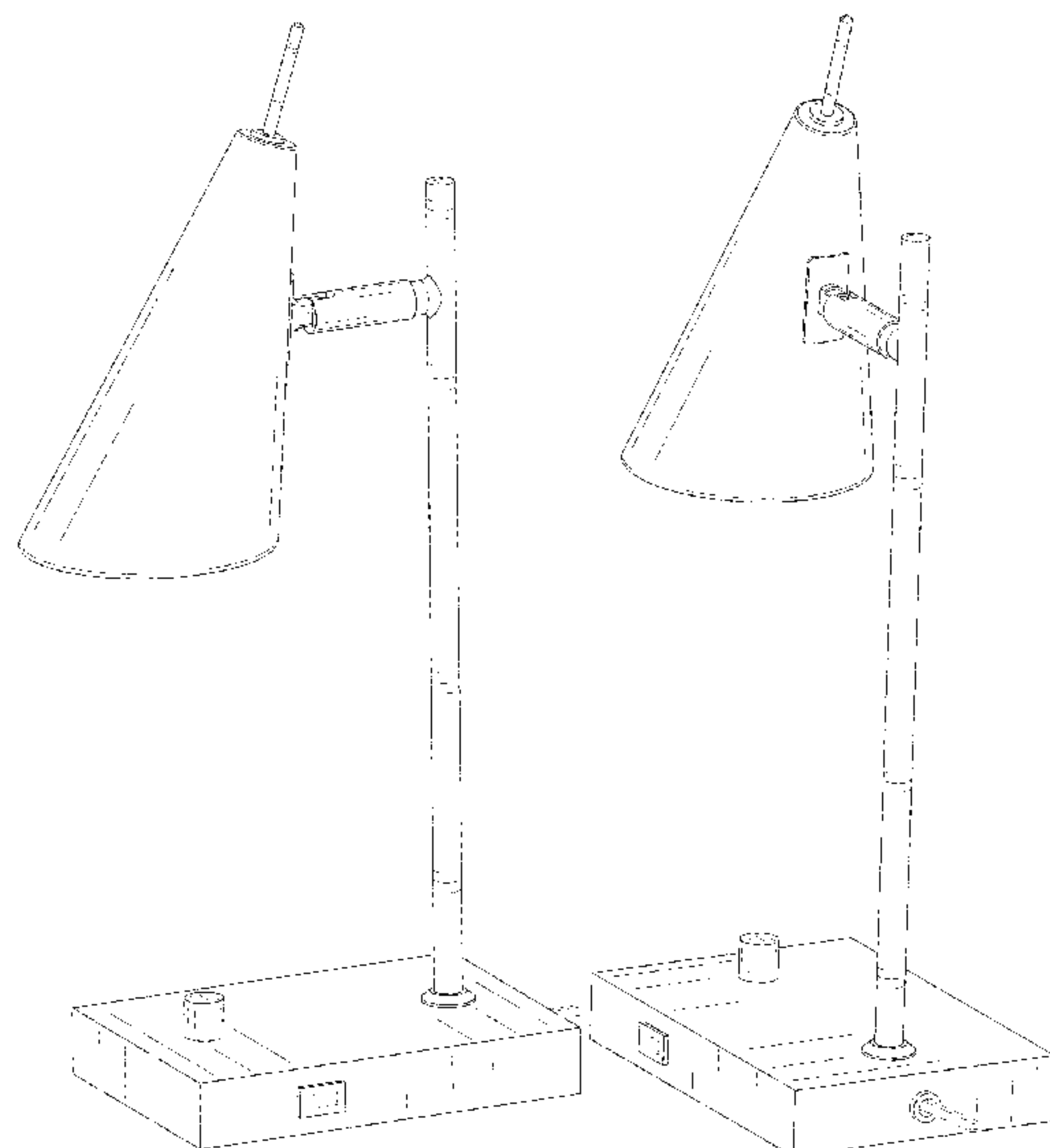
(57) **CLAIM**

The ornamental design for a desk lamp, as shown and described.

DESCRIPTION

FIG. 1 is a top, front and right side perspective view of a desk lamp, showing my new design;
 FIG. 2 is a top, rear and right side perspective view;
 FIG. 3 is a front elevational view thereof;
 FIG. 4 is a rear elevational view thereof;
 FIG. 5 is a left side elevational view thereof;
 FIG. 6 is a right side elevational view thereof;
 FIG. 7 is a top plan view thereof; and,
 FIG. 8 is a bottom plan view thereof.
 The broken lines in the drawings illustrate the portions of the desk lamp, which form no part of the claimed design.

1 Claim, 8 Drawing Sheets



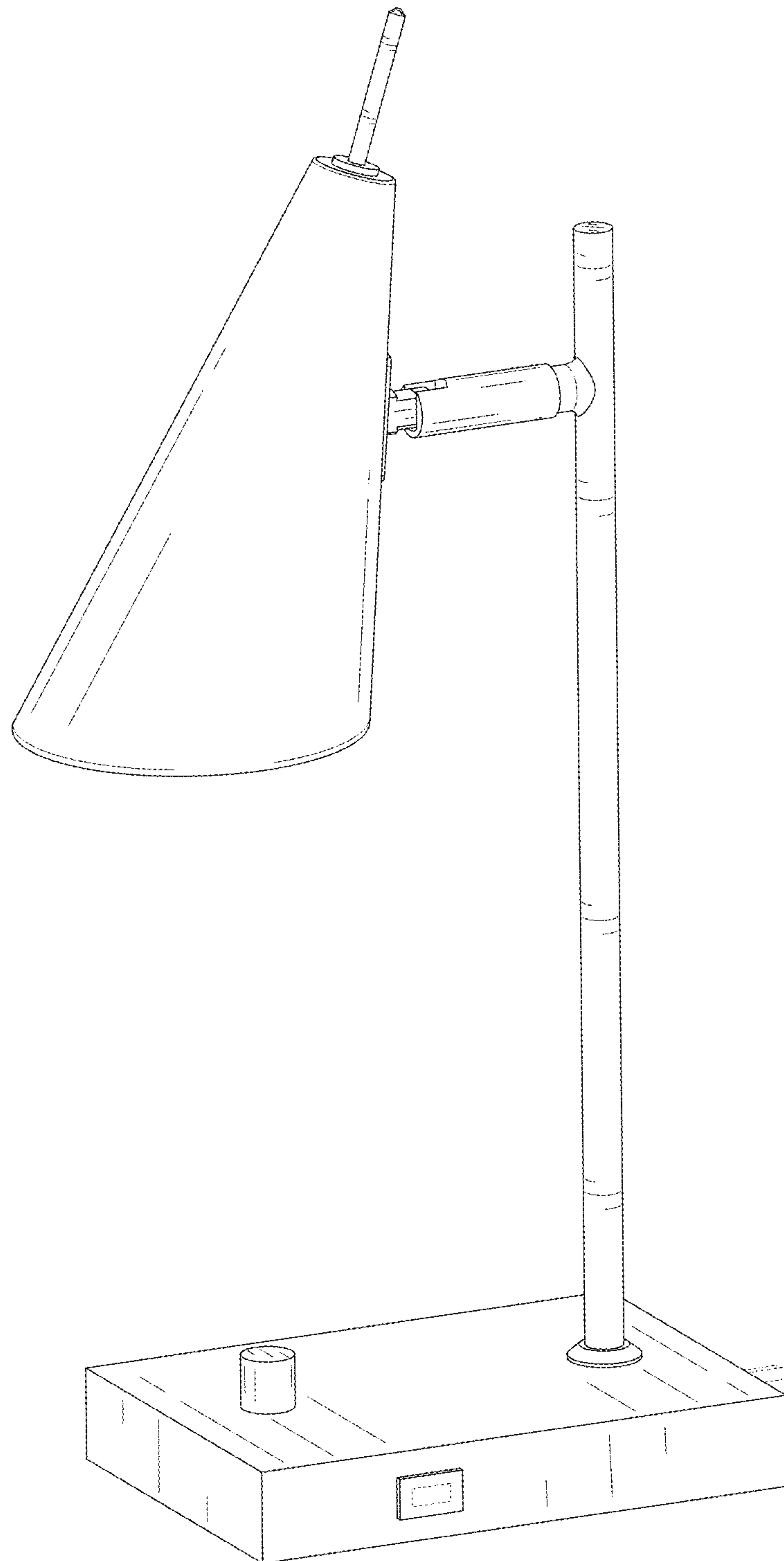


FIG. 1

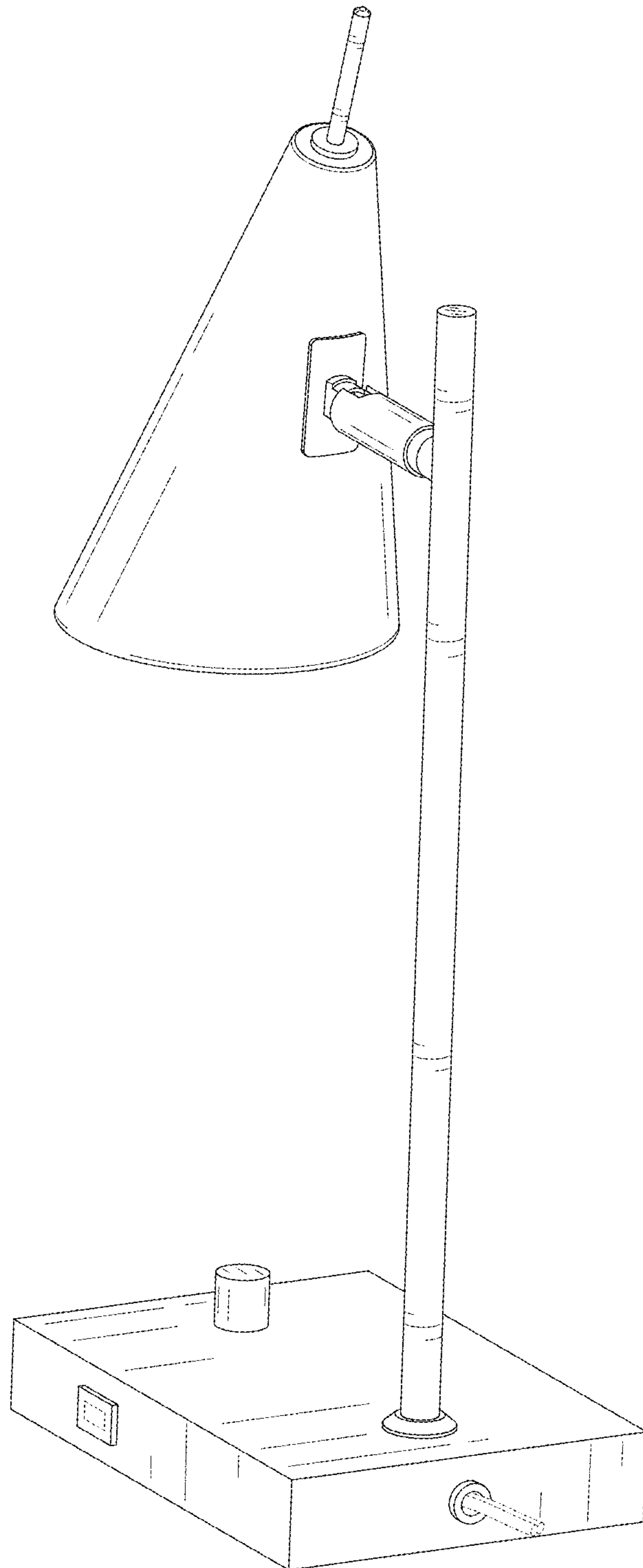


FIG. 2

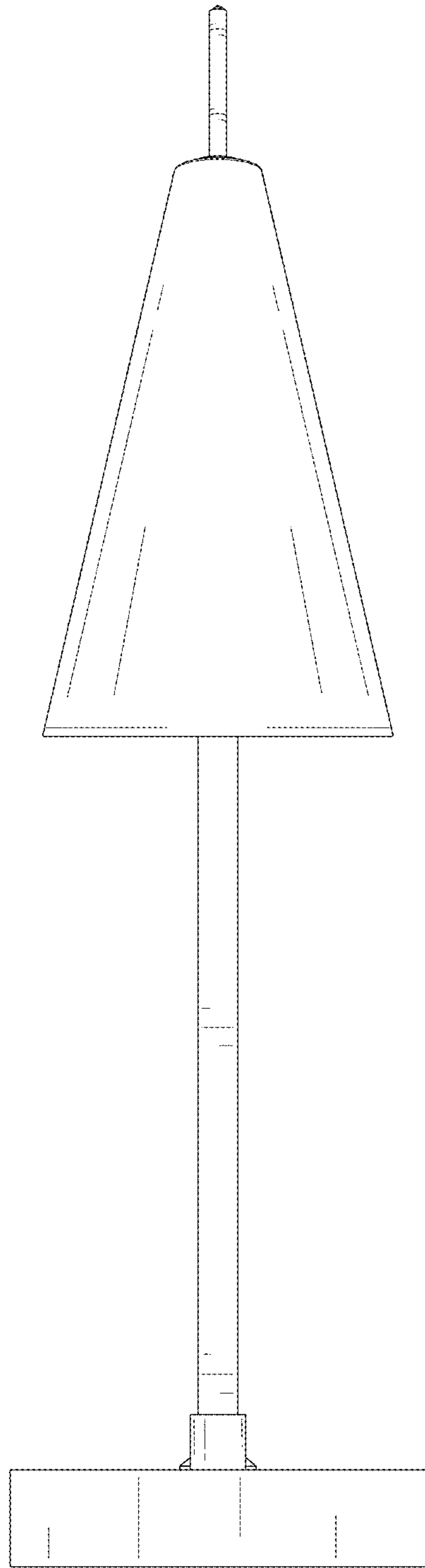


FIG. 3

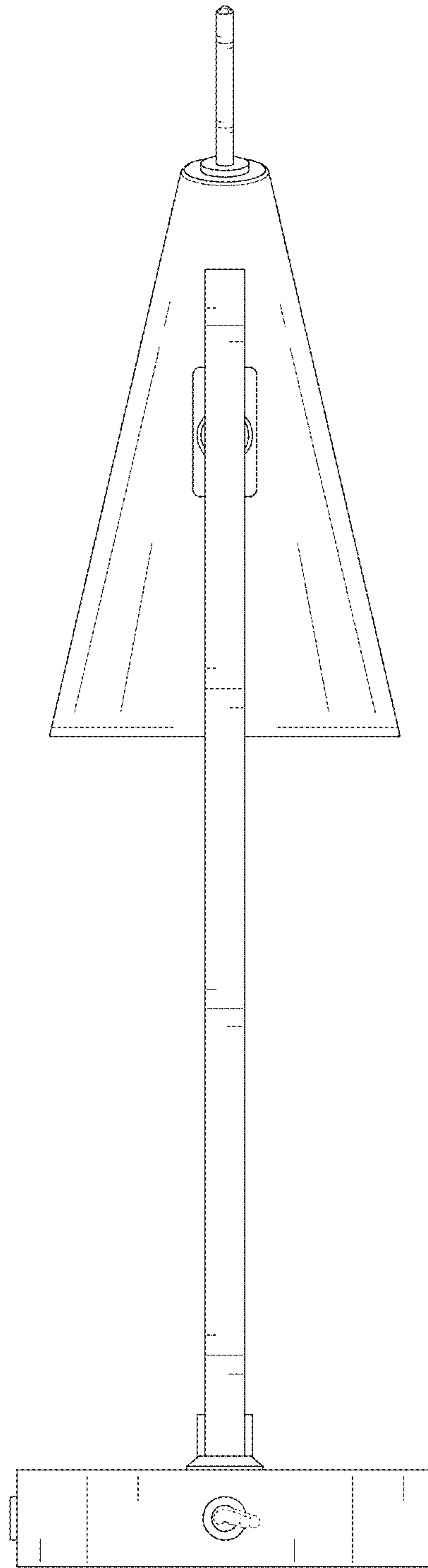


FIG. 4

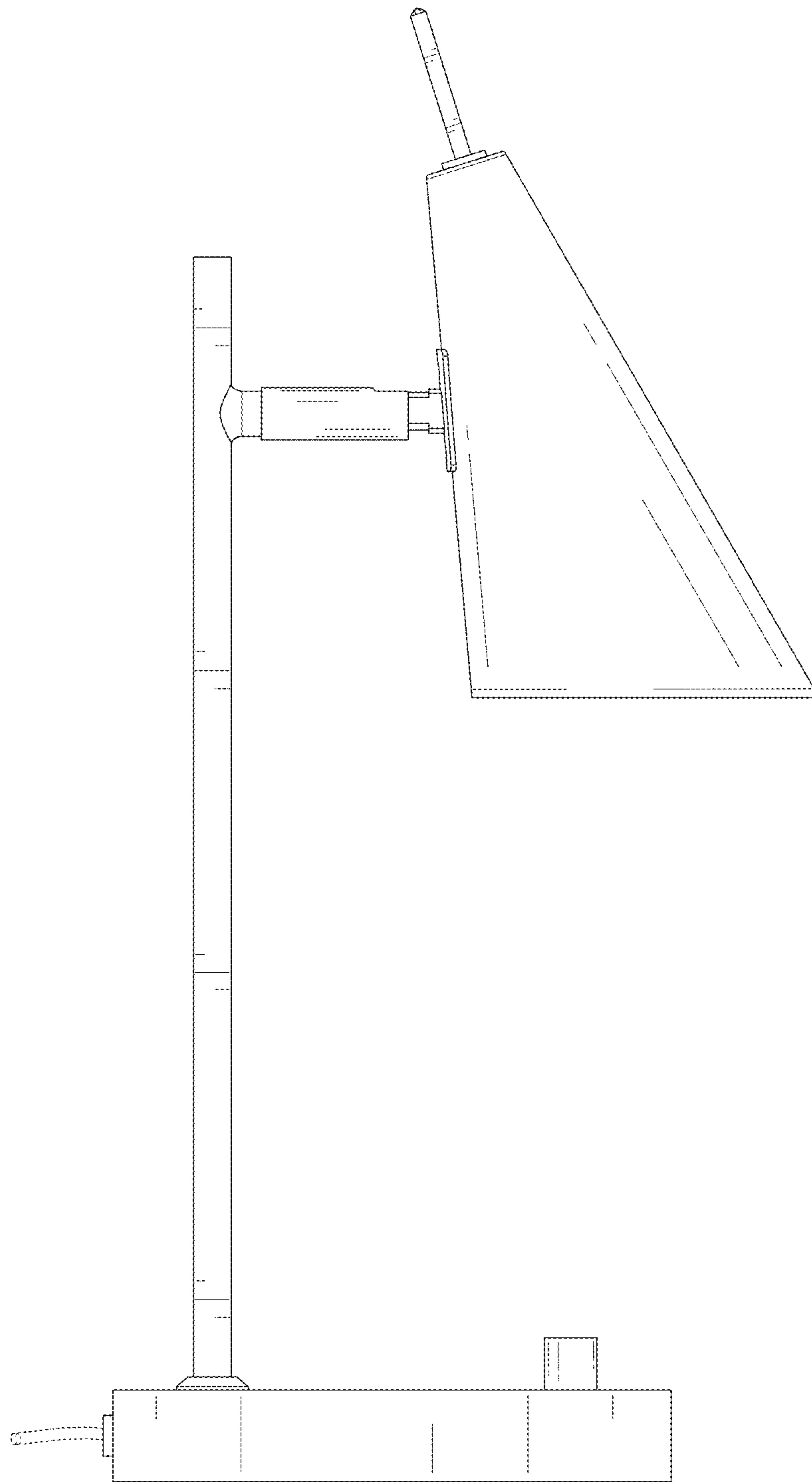


FIG. 5

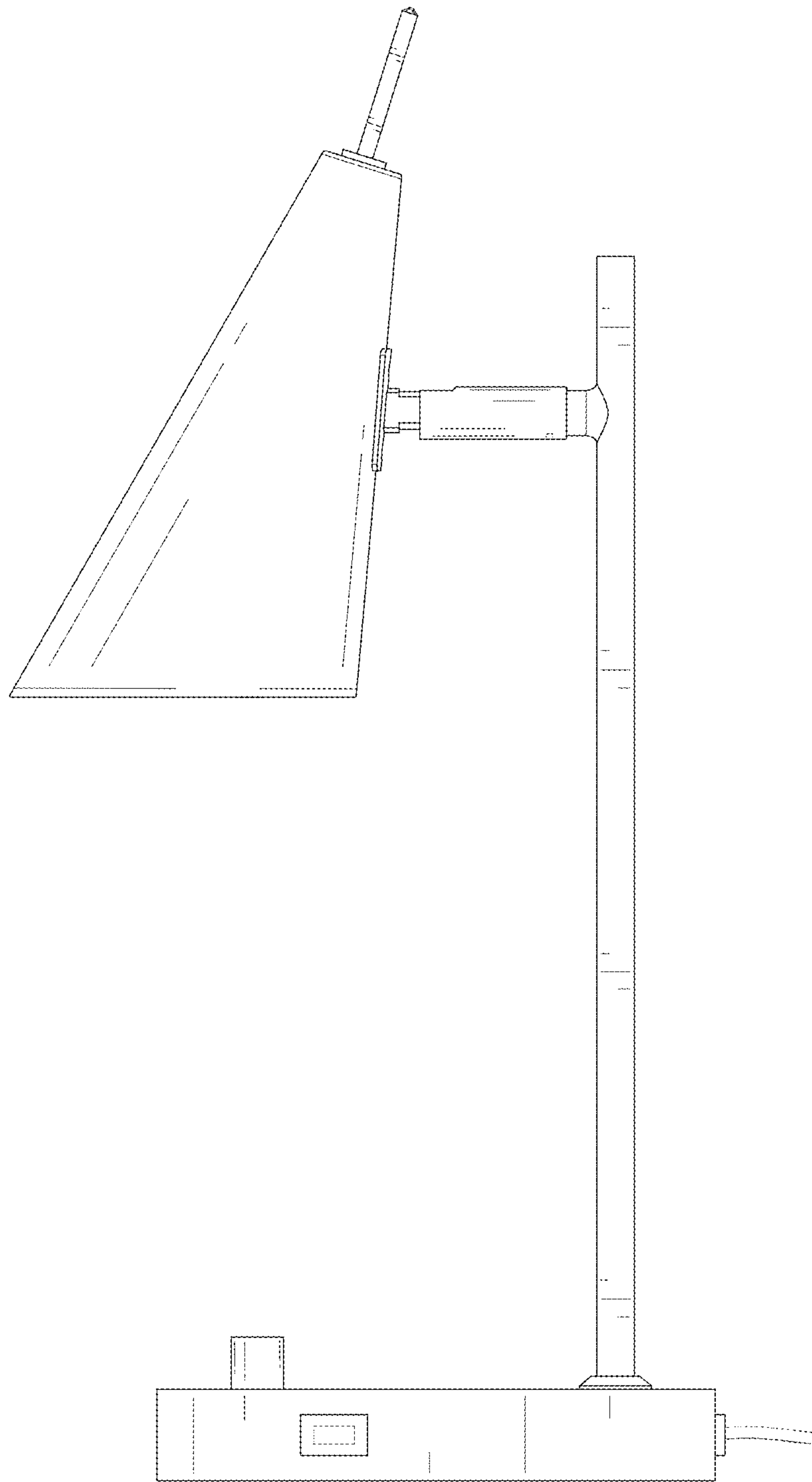


FIG. 6

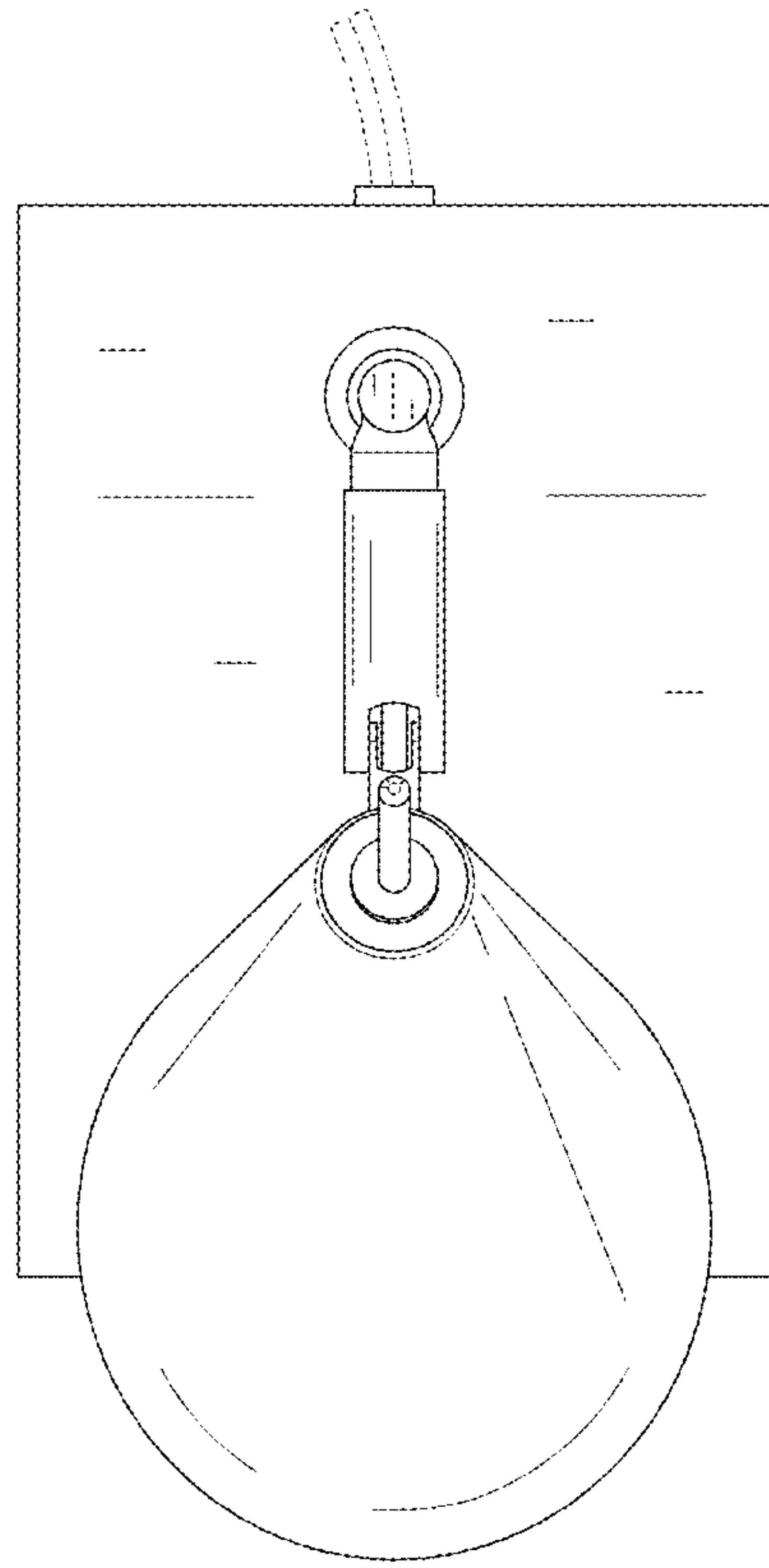


FIG. 7

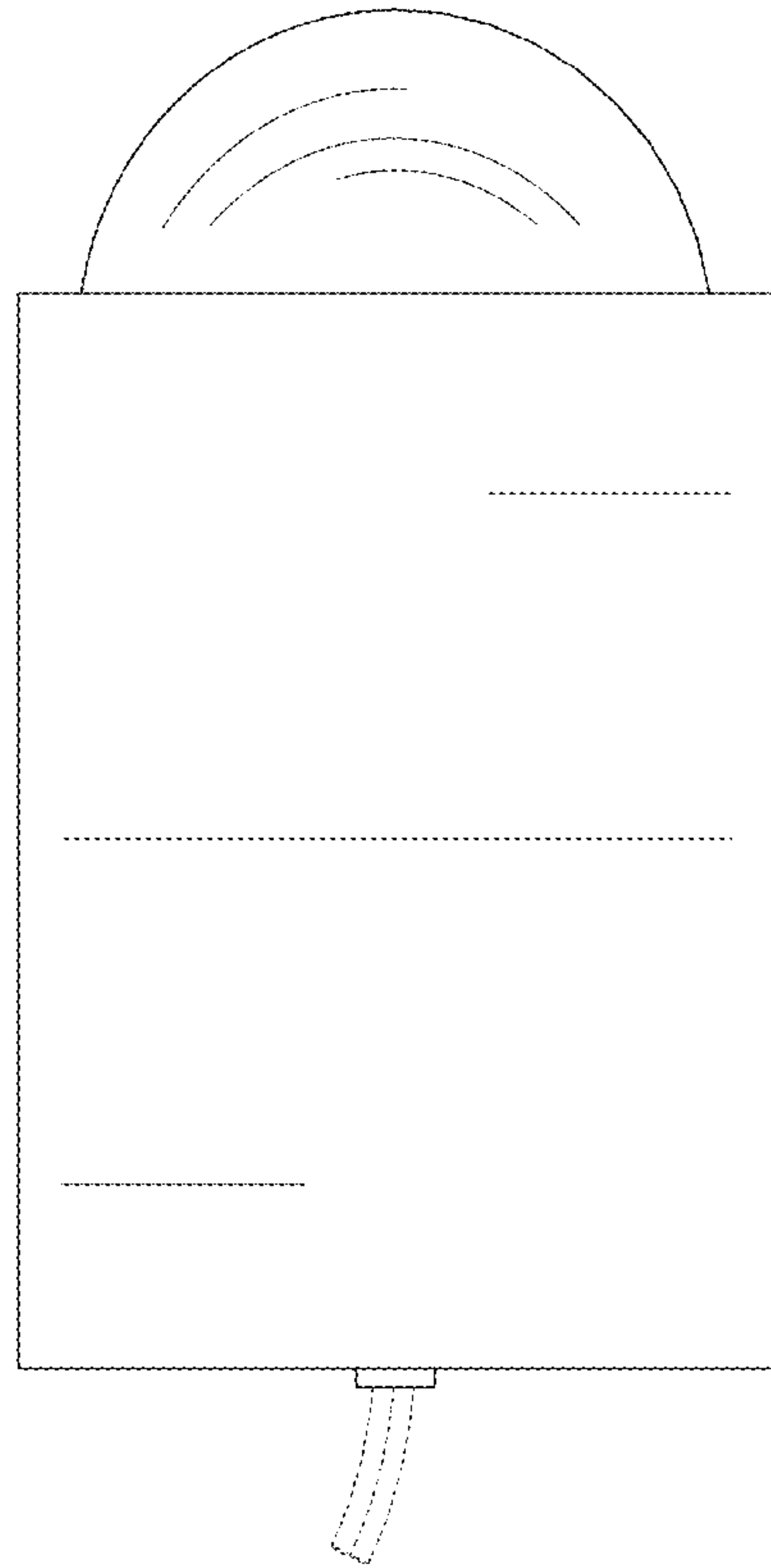


FIG. 8