



US00D972182S

(12) **United States Design Patent**  
**Liu**

(10) **Patent No.:** **US D972,182 S**

(45) **Date of Patent:** **\*\* Dec. 6, 2022**

(54) **LED LIGHT**

(71) Applicant: **Shenzhen Meize E-Commerce Co., Ltd, Shenzhen (CN)**

(72) Inventor: **Guangyong Liu, Shenzhen (CN)**

(73) Assignee: **Shenzhen Meize E-Commerce Co., Ltd, Shenzhen (CN)**

(\*\*) Term: **15 Years**

(21) Appl. No.: **29/844,439**

(22) Filed: **Jun. 29, 2022**

(51) **LOC (13) Cl.** ..... **26-05**

(52) **U.S. Cl.**  
USPC ..... **D26/62**

(58) **Field of Classification Search**  
USPC ..... D26/1, 2, 3, 24, 25, 62, 67, 93, 138  
CPC ..... F21V 21/108; F21V 21/10; F21L 2/00;  
F21S 2/00

See application file for complete search history.

(56) **References Cited**

**U.S. PATENT DOCUMENTS**

D370,289 S	*	5/1996	Deron	.....	D26/92
D672,895 S	*	12/2012	Guercio	.....	D26/62
D672,896 S	*	12/2012	Guercio	.....	D26/62
D672,897 S	*	12/2012	Guercio	.....	D26/62
D675,360 S	*	1/2013	Lee	.....	D26/62
D718,486 S	*	11/2014	Hildebrandt	.....	D26/118
D718,488 S	*	11/2014	Hildebrandt	.....	D26/118

D818,177 S	*	5/2018	Amato	.....	D26/87
D872,924 S	*	1/2020	Greenwaldt	.....	D26/62
D943,134 S		2/2022	Zeng		

**OTHER PUBLICATIONS**

amazon.com, Barn Light, Solar Barn Lights Outdoor Yomisga Solar Wall Scones Rustic Vintage Solar Farmhouse Light with Motion Sensor & 3 Lighting Modes, Warm White Solar Wall Mount Light Fixture for Shed (Black 1Pack), <https://a.co/d/5Wlyv9p>, Aug. 17, 2022 (Year: 2022).\*

\* cited by examiner

*Primary Examiner* — Keli L Hill

*Assistant Examiner* — Harold E Blackwell, II

(74) *Attorney, Agent, or Firm* — Nitin Kaushik

(57) **CLAIM**

The ornamental design for a LED light, as shown and described.

**DESCRIPTION**

FIG. 1 is a front perspective view of a LED light, showing my new design;

FIG. 2 is a front view thereof;

FIG. 3 is a rear view thereof;

FIG. 4 is a left side view thereof;

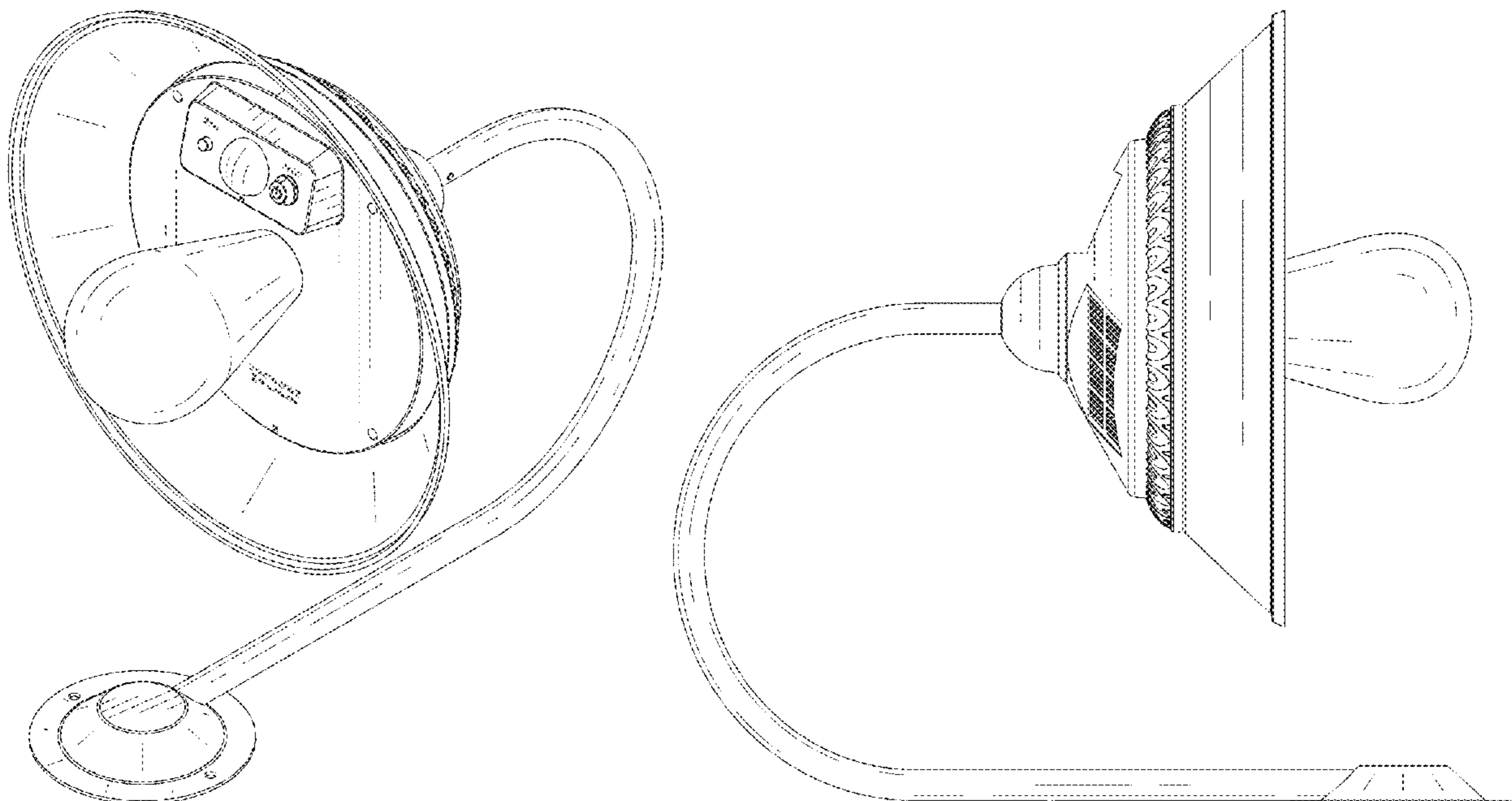
FIG. 5 is a right side view thereof;

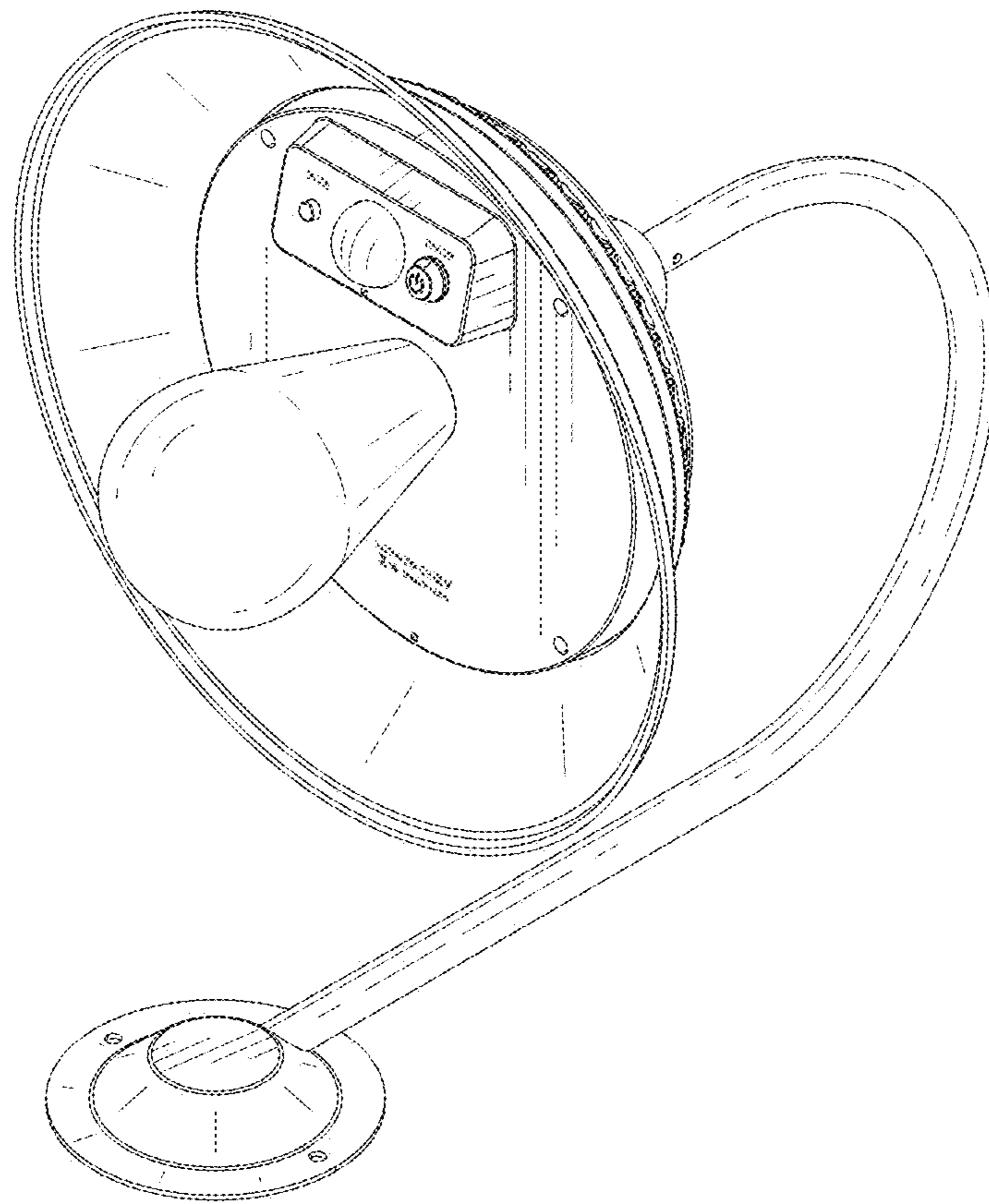
FIG. 6 is a top view thereof; and,

FIG. 7 is a bottom view thereof.

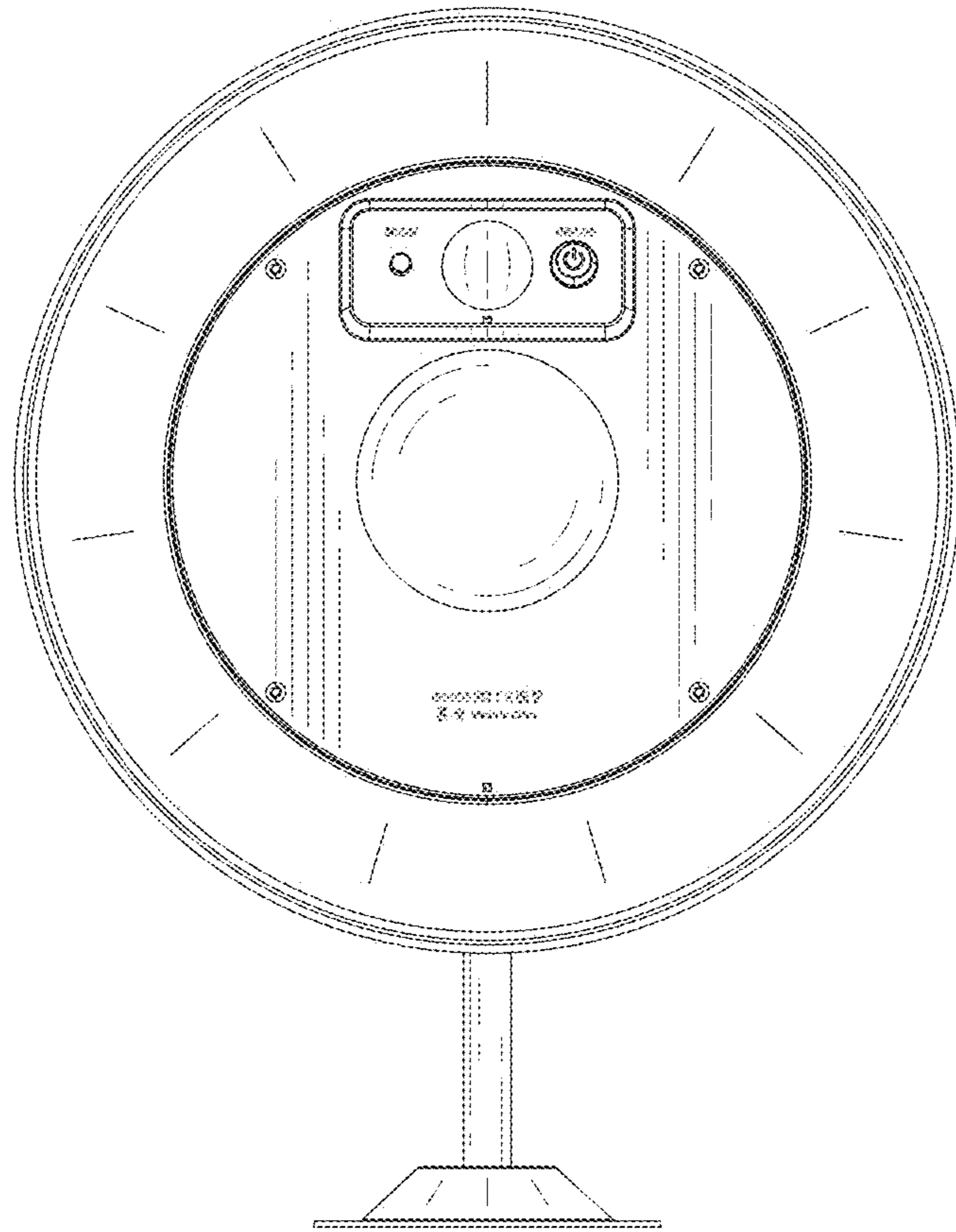
The broken lines in the drawings illustrate the portions of the LED light, which form no part of the claimed design.

**1 Claim, 7 Drawing Sheets**

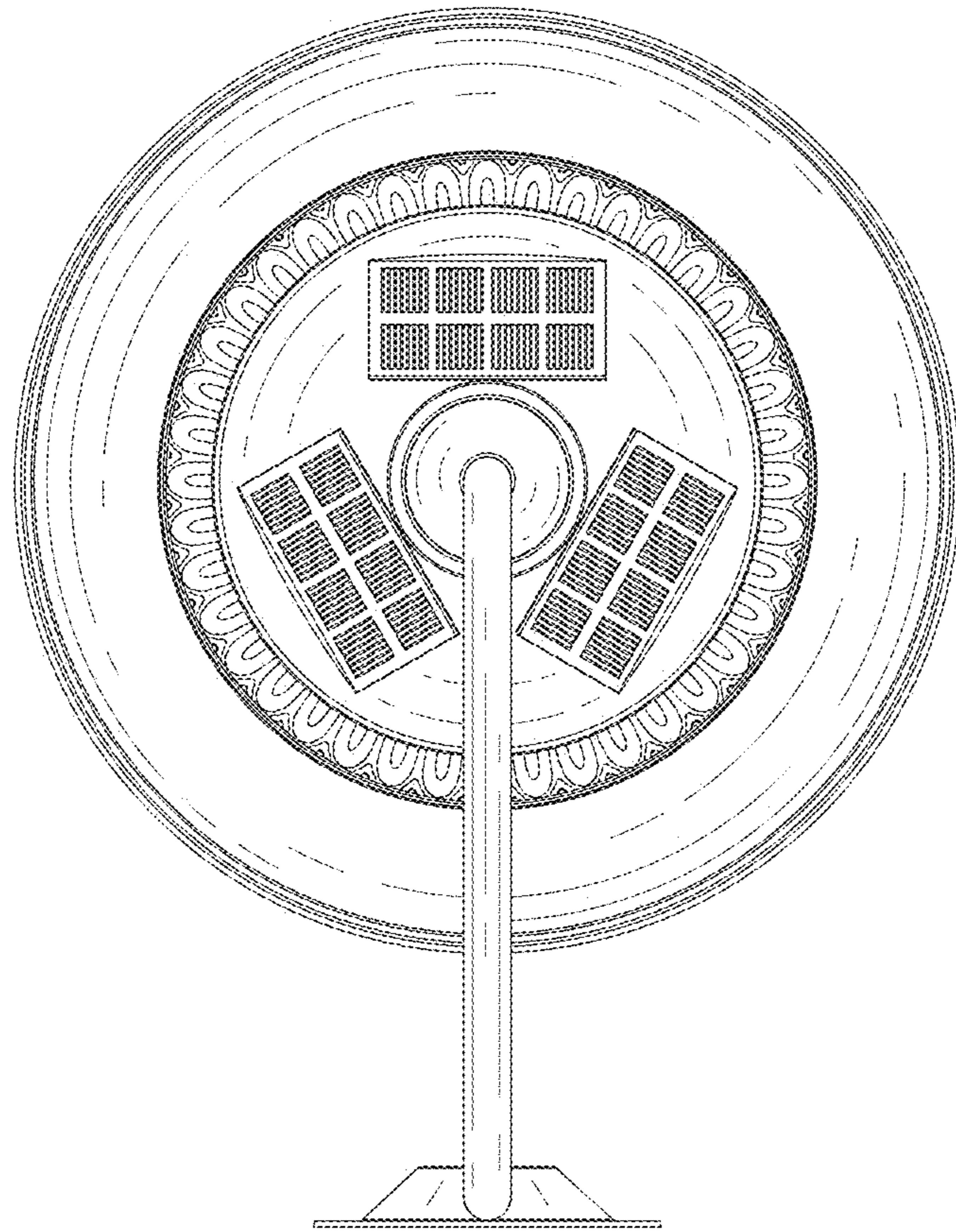




**FIG. 1**



**FIG. 2**



**FIG. 3**

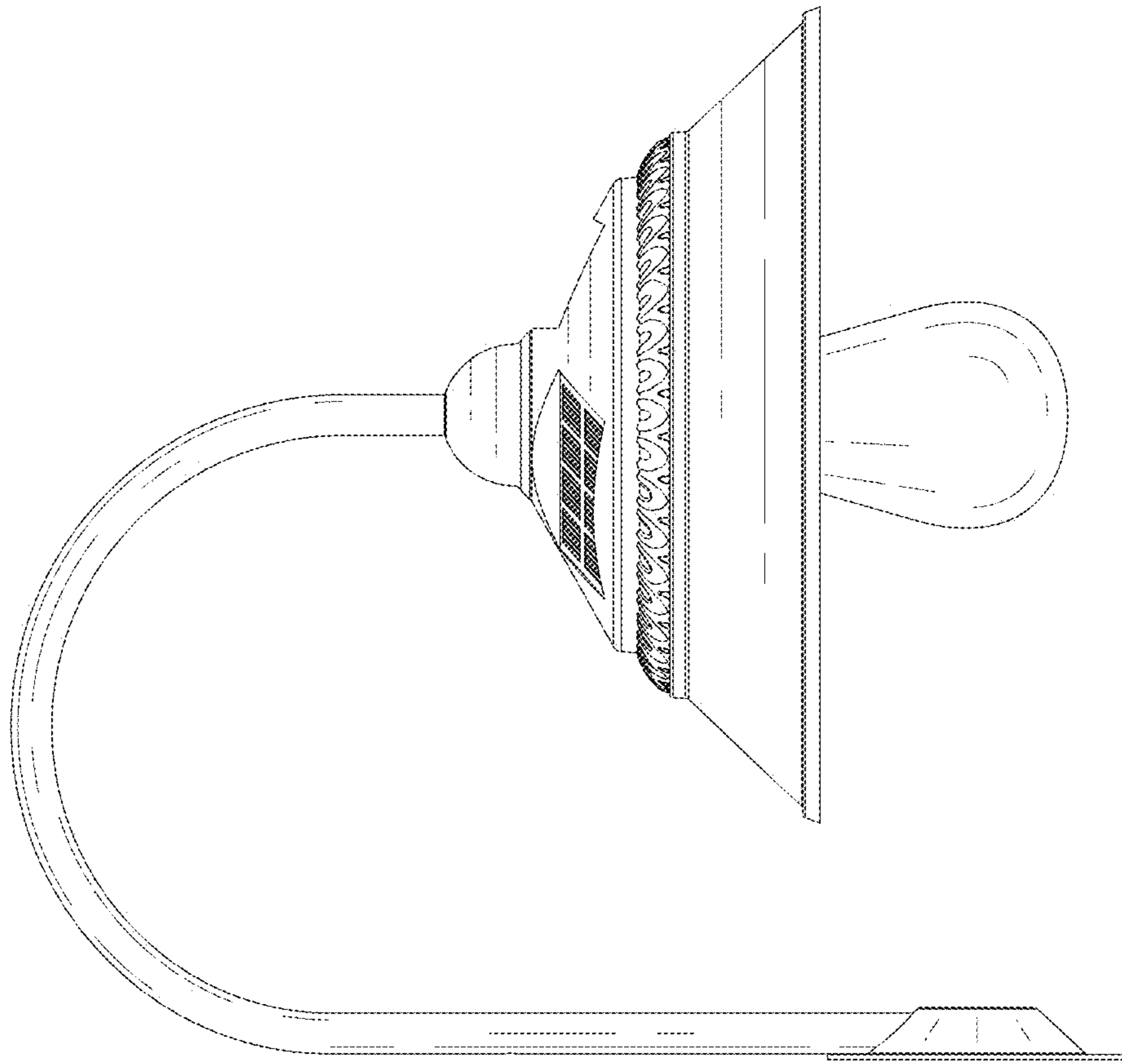
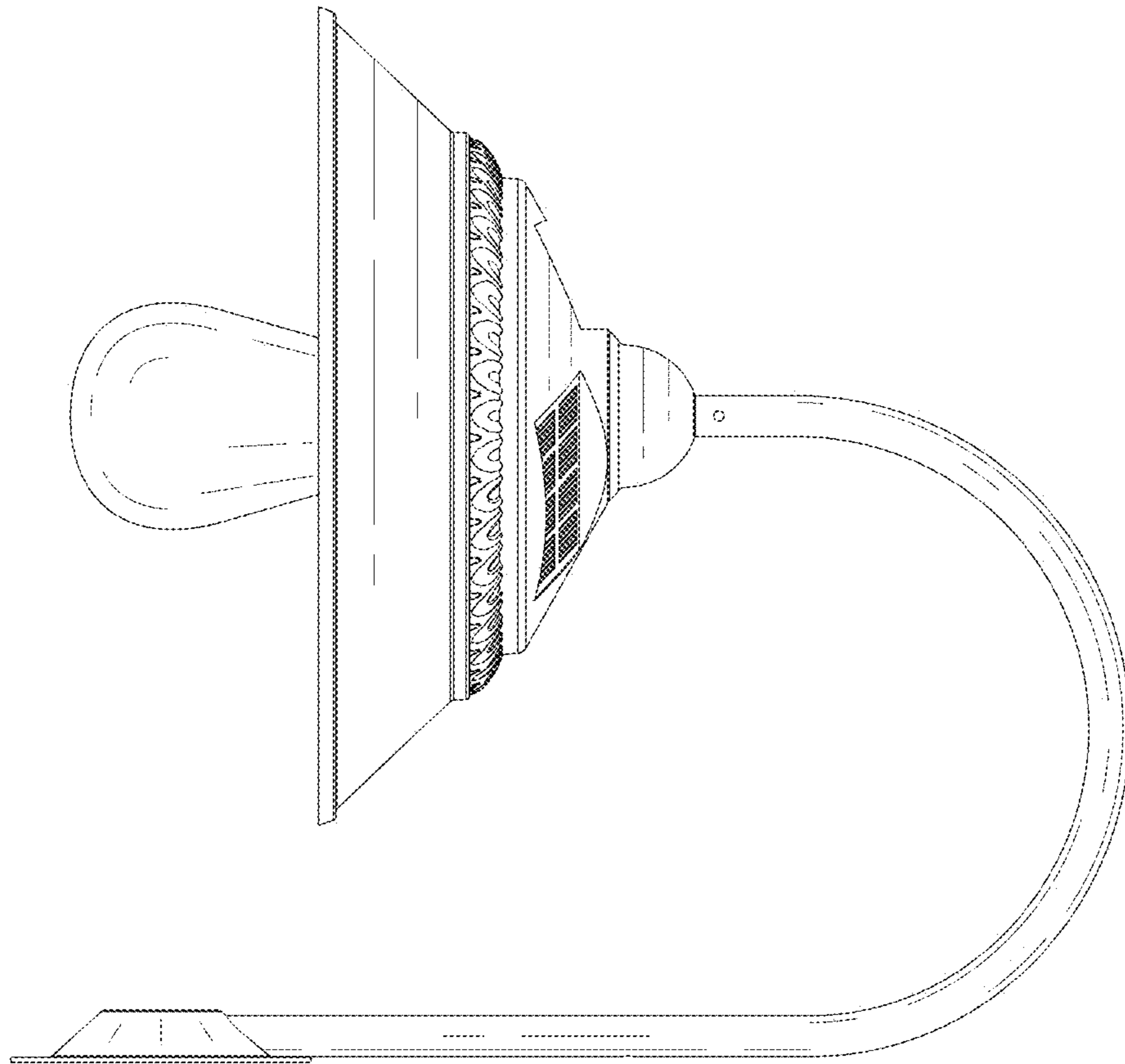
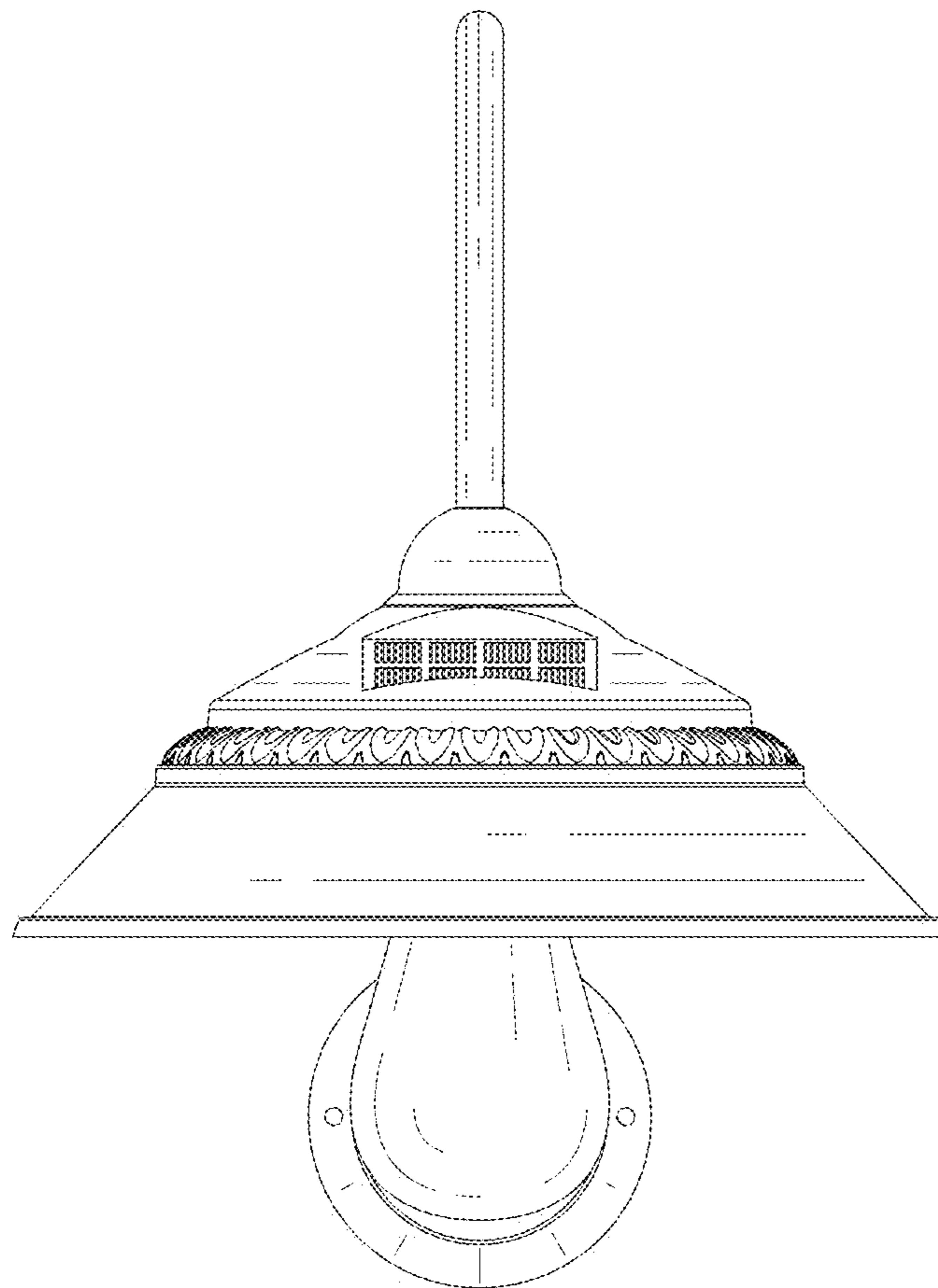


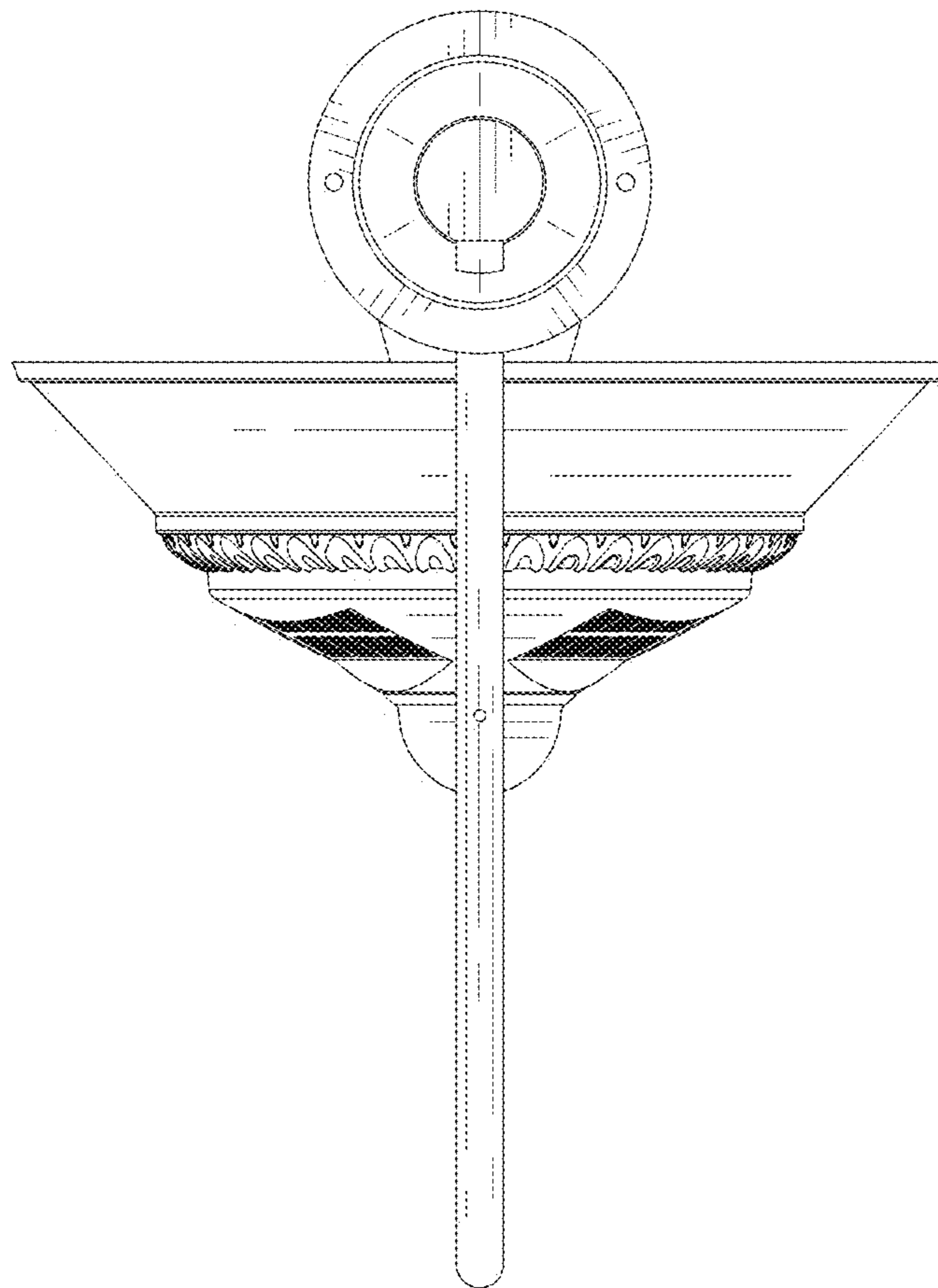
FIG. 4



**FIG. 5**



**FIG. 6**



**FIG. 7**