



US00D972180S

(12) **United States Design Patent** (10) **Patent No.:** **US D972,180 S**
Hou (45) **Date of Patent:** **** Dec. 6, 2022**

(54) **LANTERN**
(71) Applicant: **Qiao Hou**, Guangyuan (CN)
(72) Inventor: **Qiao Hou**, Guangyuan (CN)
(**) Term: **15 Years**

D904,656 S 12/2020 Christensen
D914,937 S * 3/2021 Liu D26/41
D923,837 S * 6/2021 Ye D26/40
(Continued)

(21) Appl. No.: **29/807,029**
(22) Filed: **Sep. 8, 2021**

FOREIGN PATENT DOCUMENTS

CN 302477967 * 6/2013 F21L 19/00
CN 304360341 * 11/2017
CN 110663662 A * 1/2020 A01M 1/04
(Continued)

(51) **LOC (13) Cl.** **26-02**
(52) **U.S. Cl.**

OTHER PUBLICATIONS

“Portable LED Camping Lantern,” Jun. 2, 2021, amazon.com, site visited Aug. 19, 2022, URL: <https://www.amazon.com/Rechargeable-Flashlights-Survival-Emergency-Portable/dp/B095GYZJQY> (Year: 2021).*

USPC **D26/40**; D26/37
(58) **Field of Classification Search**
USPC D26/37-44, 46-52, 67, 85, 87, 60, 61,
D26/36, 25, 27, 113, 104; D10/109.1,
D10/111-115
CPC F21L 4/00; F21L 2005/00; F21L 19/00;
F21Y 2107/30; H05B 47/10; H02J
7/0044; F21V 5/006; F21V 21/0824;
F21V 15/02; F21S 9/022; F21W
2131/1005

(Continued)

See application file for complete search history.

Primary Examiner — Christy Nemeth
Assistant Examiner — Sarah L Smith
(74) *Attorney, Agent, or Firm* — Justin Lampel

(56) **References Cited**

(57) **CLAIM**

U.S. PATENT DOCUMENTS

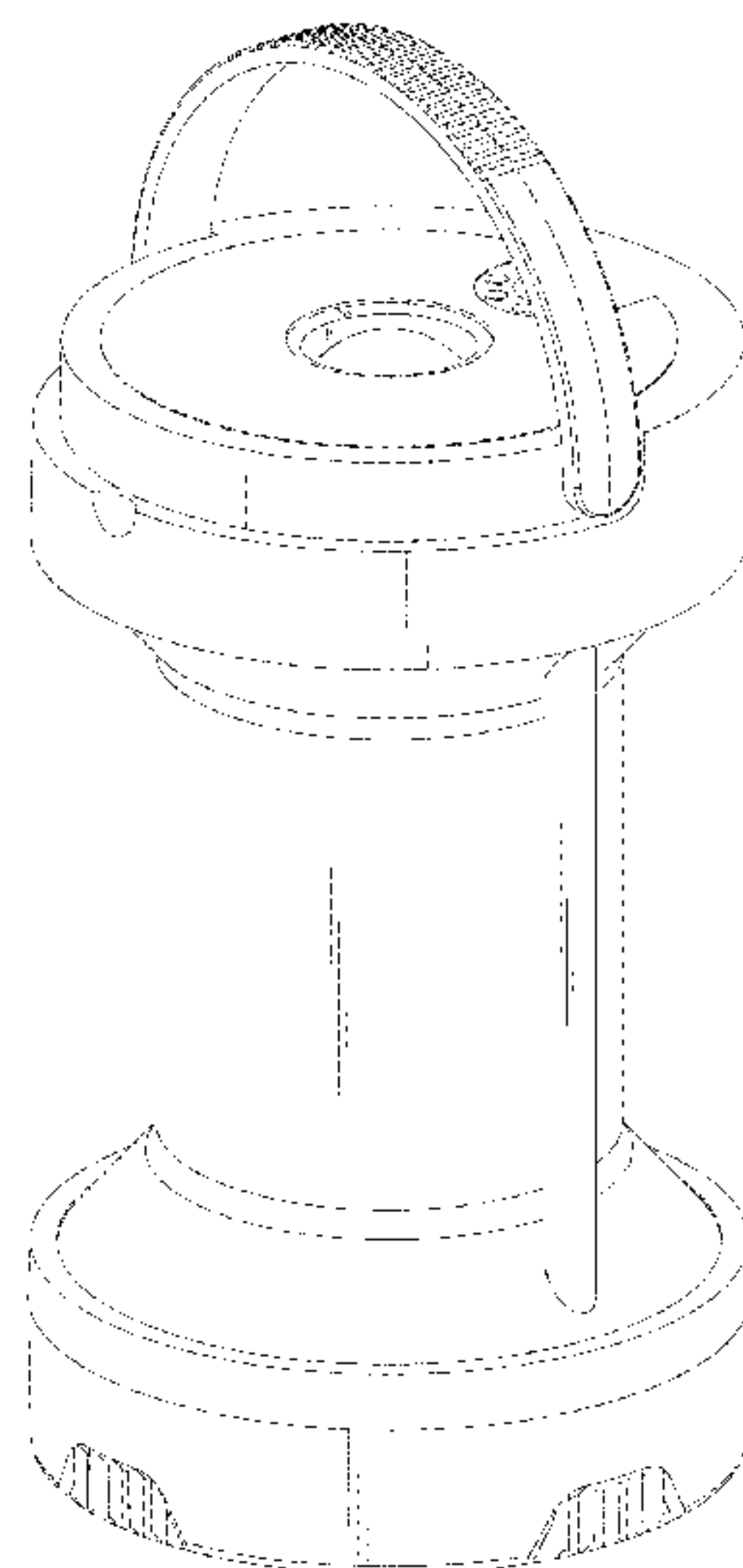
The ornamental design for a lantern, as shown and described.

- 3,767,904 A * 10/1973 Cook F21V 23/02
D26/41
- D286,204 S * 10/1986 Poon D26/42
- D351,918 S * 10/1994 Poon D26/42
- D399,016 S * 9/1998 Howard D26/42
- D424,726 S * 5/2000 Petterson D26/40
- 6,206,536 B1 * 3/2001 Lin F21S 6/002
446/491
- D464,451 S * 10/2002 Poon D26/37
- D527,128 S * 8/2006 Lo D26/40
- D553,272 S * 10/2007 Leung D26/37
- D564,112 S * 3/2008 Jen D26/40
- D578,693 S * 10/2008 Liu D26/67
- D625,874 S * 10/2010 Sanoner D26/67
- D729,428 S * 5/2015 Shen D26/41
- D861,941 S * 10/2019 Hammer F21V 23/02
D26/40

DESCRIPTION

FIG. 1 is a perspective view of a lantern showing the claimed design;
FIG. 2 is a top plan view thereof;
FIG. 3 is a left side view thereof;
FIG. 4 is a front elevational view thereof;
FIG. 5 is a right side view thereof;
FIG. 6 is a rear elevational view thereof; and,
FIG. 7 is a bottom plan view thereof.
The broken lines depict portions of the lantern that form no part of the claimed design.

1 Claim, 7 Drawing Sheets



(56)

References Cited

U.S. PATENT DOCUMENTS

D932,680 S * 10/2021 Zhang D26/41
2015/0009660 A1* 1/2015 Lee F21L 4/00
362/186

FOREIGN PATENT DOCUMENTS

CN 306251141 * 12/2020
JP 09033671 A * 2/1997 F21L 2/00
JP 2001093302 A * 4/2001 F21L 19/00
WO WO-2007134179 A2 * 11/2007 F21L 2/00

OTHER PUBLICATIONS

“TYRERFAT Camping Lantern,” Mar. 21, 2022, amazon.com, site visited Sep. 19, 2022, URL: <https://www.amazon.com/TYRERFAT-Camping-Lantern-Rechargeable-Magnetic/dp/B09W2YBJ4V/> (Year: 2022).*

* cited by examiner

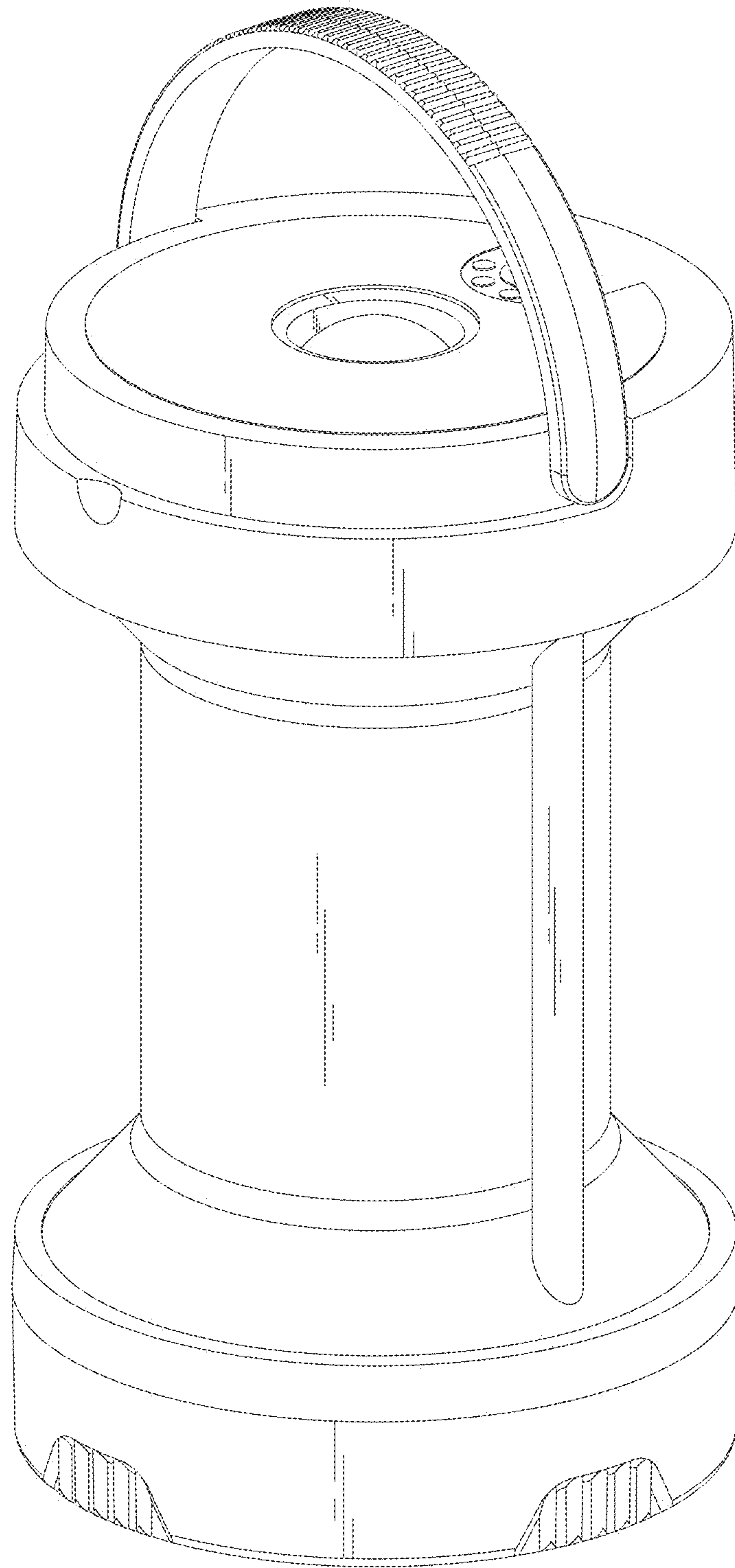


FIG. 1

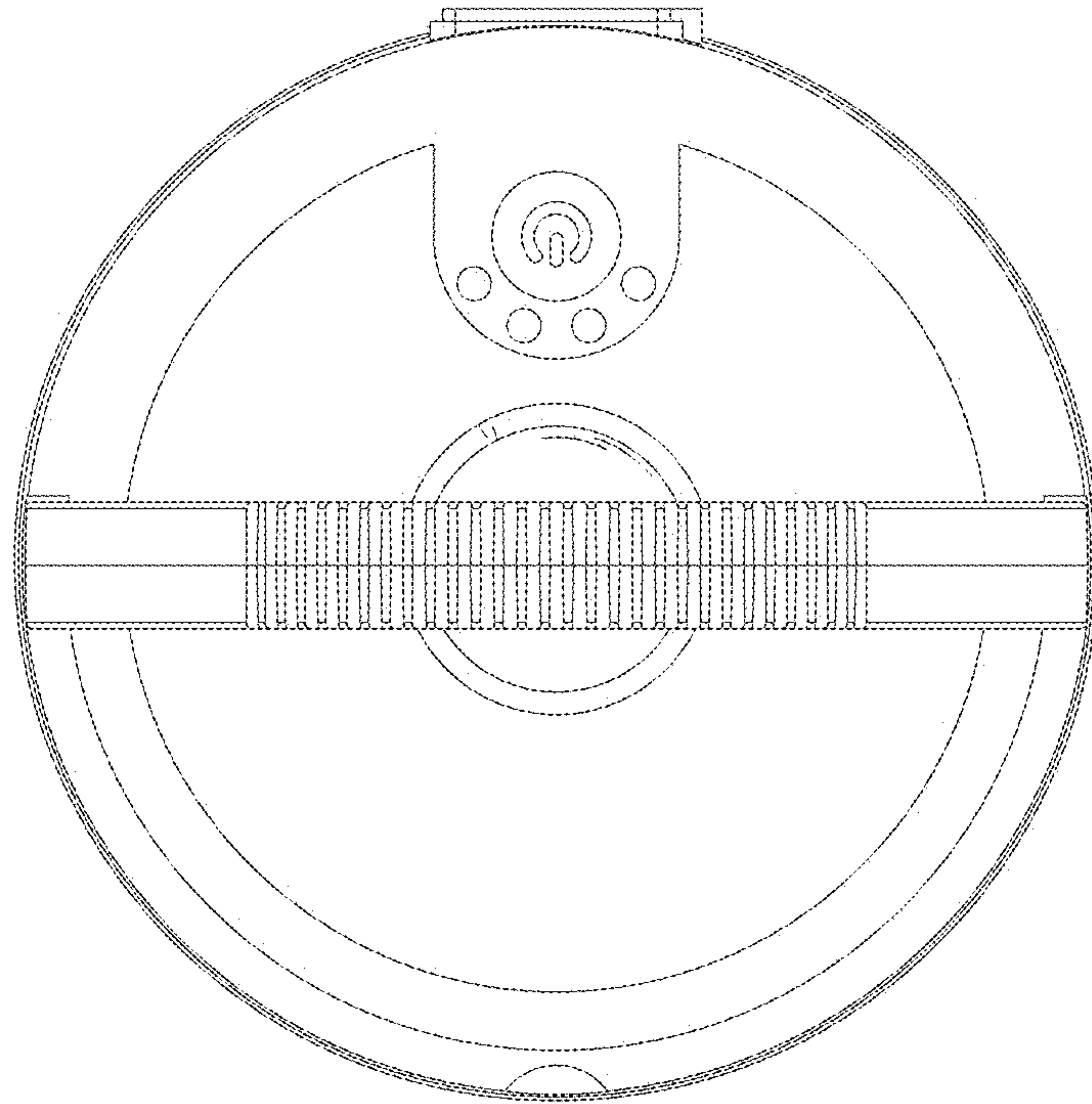


FIG.2

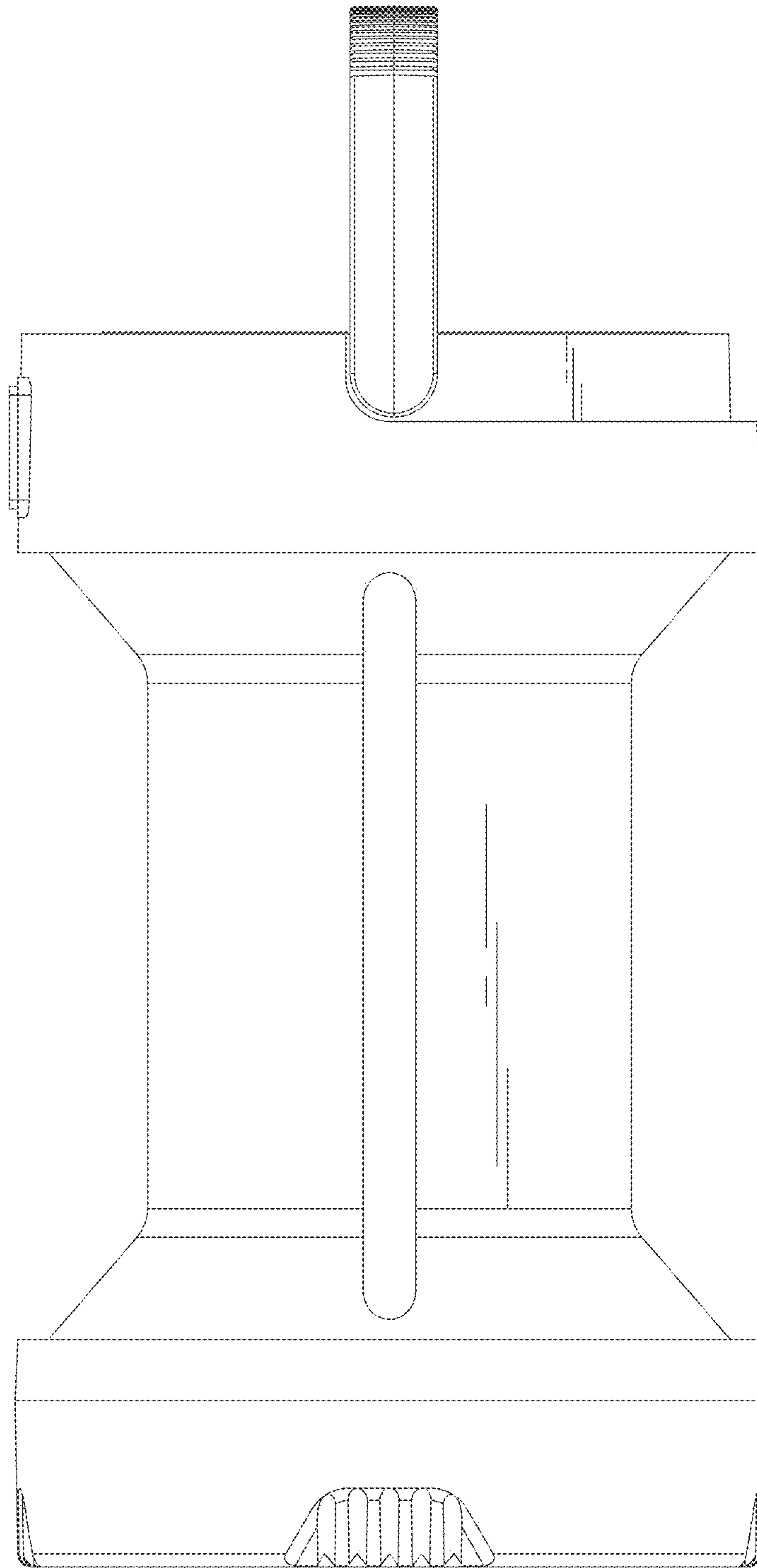


FIG. 3

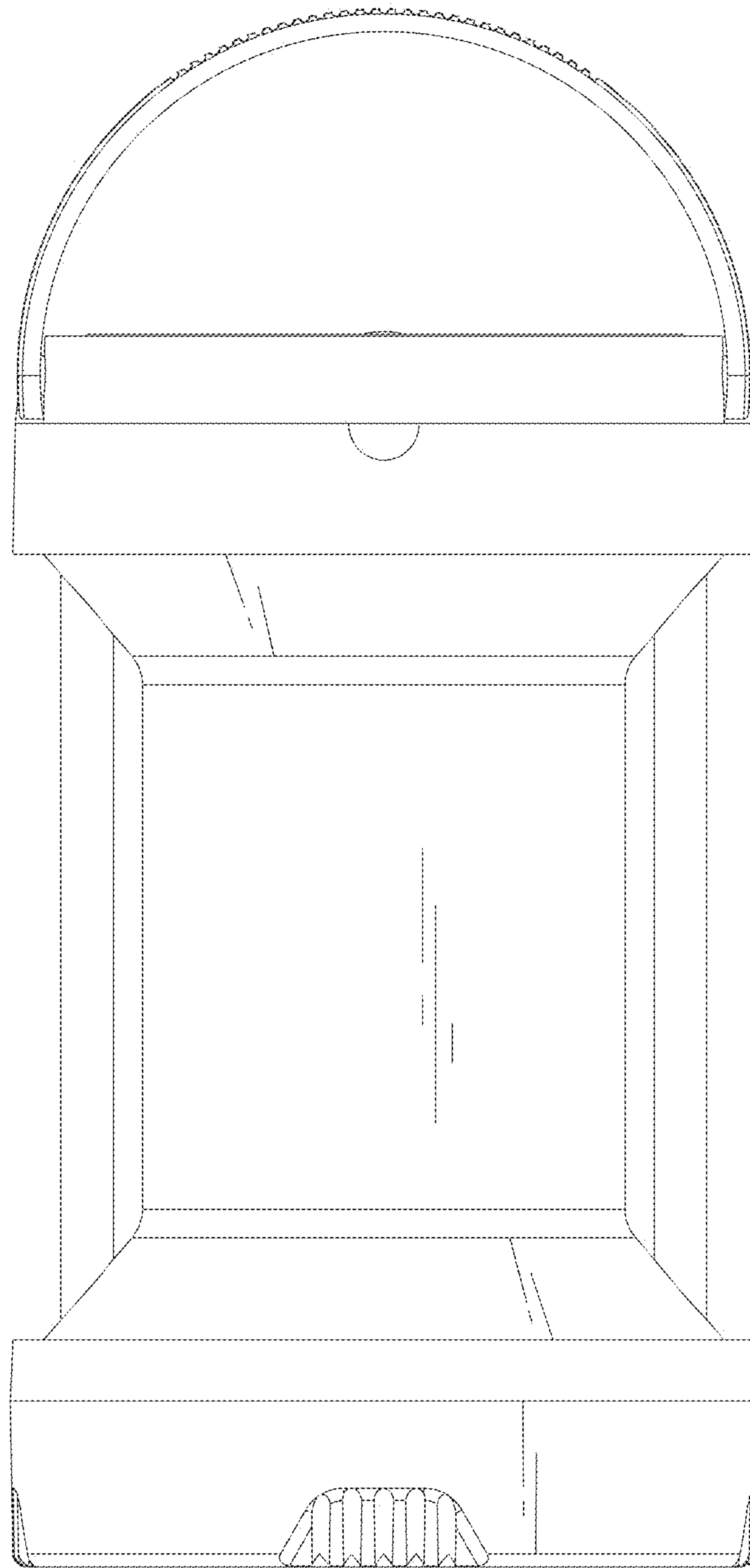


FIG. 4

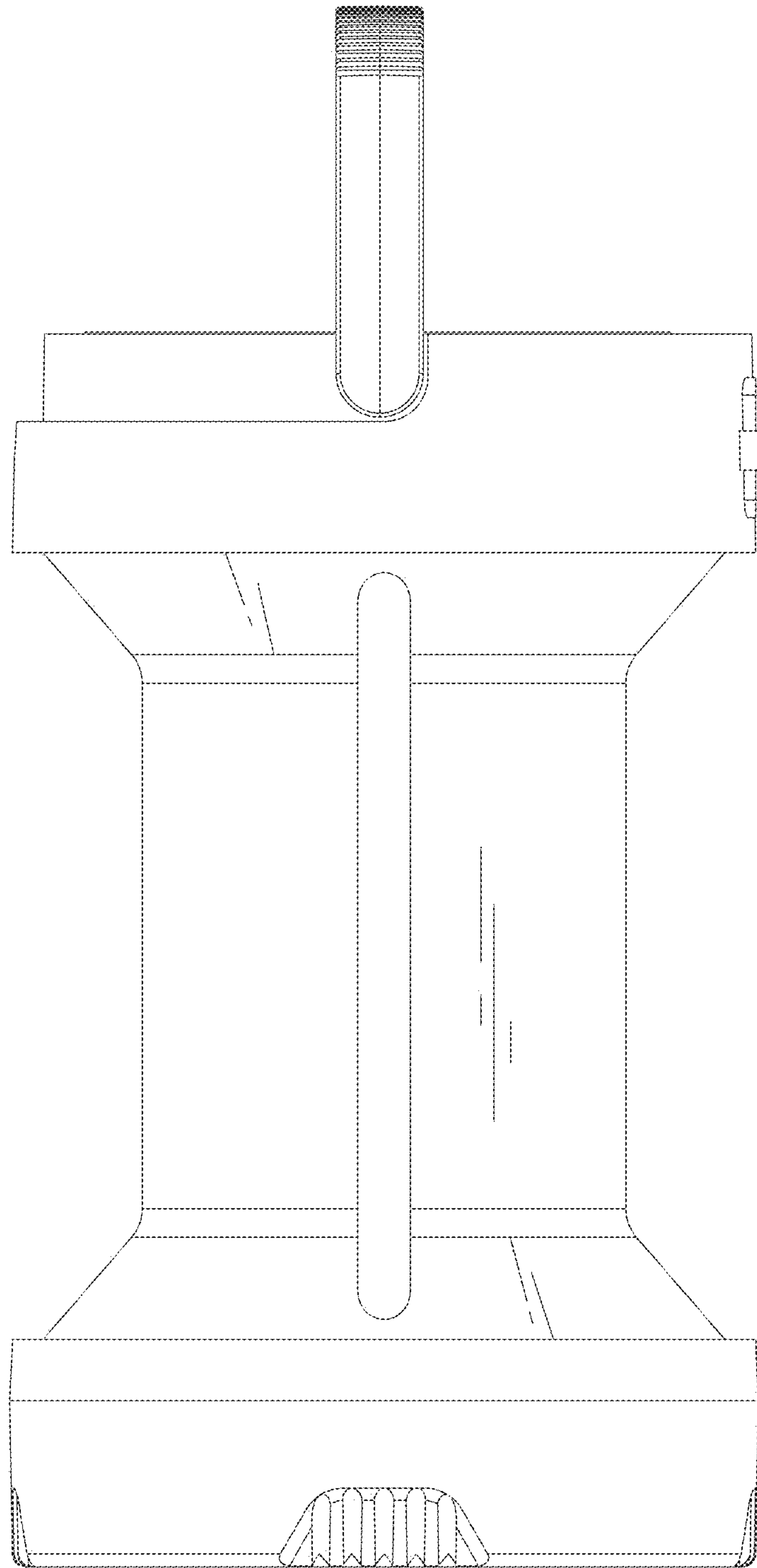


FIG.5

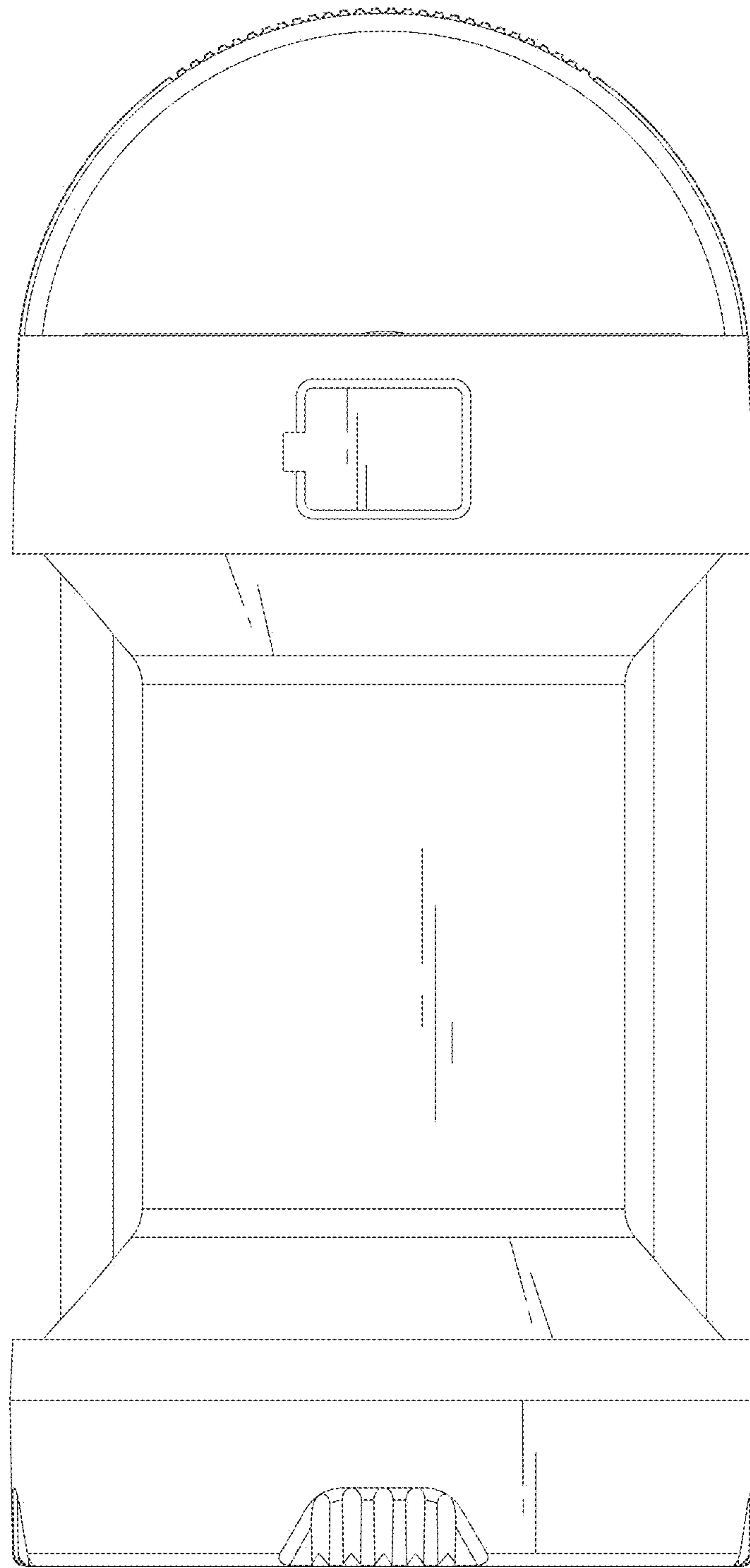


FIG.6

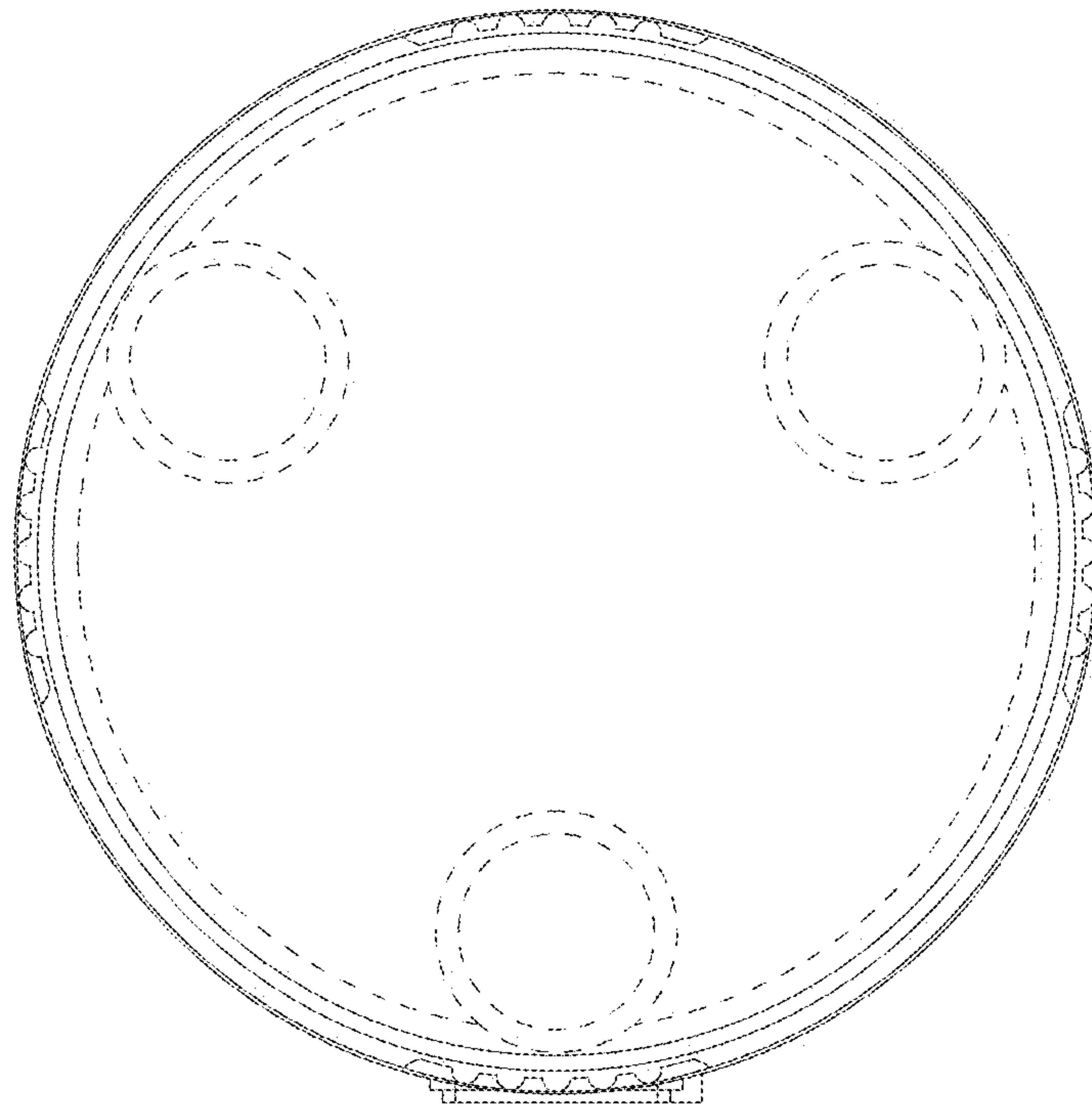


FIG. 7