



US00D972178S

(12) **United States Design Patent** (10) **Patent No.:** **US D972,178 S**  
**Krantz et al.** (45) **Date of Patent:** **\*\* Dec. 6, 2022**

(54) **LIGHTING DEVICE**

(71) Applicant: **Goal Zero LLC**, Bluffdale, UT (US)  
(72) Inventors: **Norman L. Krantz**, Draper, UT (US);  
**Russel Thurgood**, Salem, UT (US);  
**William Harmon**, Bluffdale, UT (US)  
(73) Assignee: **GOAL ZERO LLC**, Bluffdale, UT (US)  
(\*\*) Term: **15 Years**  
(21) Appl. No.: **29/750,758**

(22) Filed: **Sep. 16, 2020**  
(51) **LOC (13) Cl.** ..... **26-02**  
(52) **U.S. Cl.**  
USPC ..... **D26/37; D26/118**  
(58) **Field of Classification Search**  
USPC ..... D26/1, 2, 24, 27, 37-40, 42, 72, 74-78,  
D26/80-83, 85-86, 88-90, 113, 118,  
D26/120-122, 138, 141  
CPC ..... F21S 8/00; F21S 8/03; F21S 8/031; F21S  
8/036; F21S 8/04; F21S 8/043; F21S  
8/046; F21S 8/06; F21S 8/063; F21V  
3/049; F21V 7/00; F21V 7/0016; F21V  
7/0041; F21V 7/005; F21V 7/0083; F21V  
23/001  
See application file for complete search history.

(56) **References Cited**

**U.S. PATENT DOCUMENTS**

D208,571	S	*	9/1967	Wakefield	.....	D26/121
D332,965	S	*	2/1993	Wu	.....	D26/37
D434,863	S	*	12/2000	Boessel	.....	D26/26
D604,435	S	*	11/2009	Kingston	.....	D26/37
D669,207	S	*	10/2012	Chen	.....	D26/85
D726,354	S	*	4/2015	Davies	.....	D26/37
D764,087	S	*	8/2016	Workman	.....	D26/37
D850,684	S	*	6/2019	Zhang	.....	D26/44
D887,603	S	*	6/2020	Noga	.....	D26/42
D945,046	S	*	3/2022	Shen	.....	D26/85
2005/0225972	A1	*	10/2005	Haines	.....	F21V 7/0025 362/217.05

(Continued)

**OTHER PUBLICATIONS**

Goal Zero Torch 500, available Sep. 17, 2020, retrieved on Jul. 7, 2022 from URL: [https://www.amazon.com/Goal-Zero-Weatherproof-Flashlight-Rechargeable/dp/B08HRKYV9S?ref\\_=ast\\_sto\\_dp](https://www.amazon.com/Goal-Zero-Weatherproof-Flashlight-Rechargeable/dp/B08HRKYV9S?ref_=ast_sto_dp) (Year: 2020).\*

(Continued)

*Primary Examiner* — Richard Kearney

*Assistant Examiner* — Christina M. Dodson

(74) *Attorney, Agent, or Firm* — Maschoff Brennan

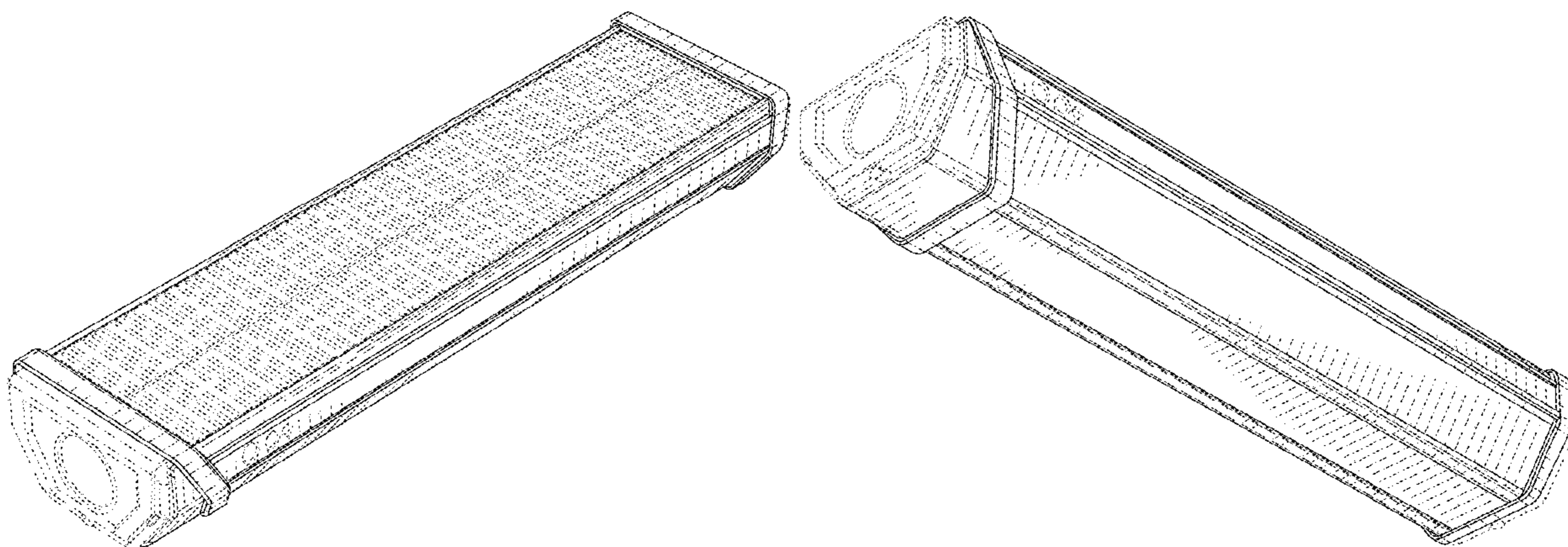
(57) **CLAIM**

We claim the ornamental design for a lighting device, as shown and described.

**DESCRIPTION**

FIG. 1 is a front, top, left perspective view of the claimed design;  
FIG. 2 is a front, bottom, left perspective view of the claimed design;  
FIG. 3 is a rear, top, left perspective view of the claimed design;  
FIG. 4 is a rear, bottom, left perspective view of the claimed design;  
FIG. 5 is a front view of the claimed design;  
FIG. 6 is a rear view of the claimed design;  
FIG. 7 is a right side view of the claimed design;  
FIG. 8 is a left side view of the claimed design;  
FIG. 9 is a top view of the claimed design; and  
FIG. 10 is a bottom view of the claimed design.  
The ornamental design which is claimed is shown in solid lines in the figures. The equal length dashed lines show portions of the article and form no part of the claimed design. The dash-dot-dash lines show the bounds of the claim and form no part of the claimed design.

**1 Claim, 7 Drawing Sheets**



(56)

**References Cited**

U.S. PATENT DOCUMENTS

2016/0305616 A1\* 10/2016 Lin ..... F21V 29/70

OTHER PUBLICATIONS

SKU: 90110, GoalZero Torch 250 Flashlight, <https://www.goalzero.com/shop/flashlights/torch-250-flashlight/>, accessed Sep. 16, 2020.

\* cited by examiner

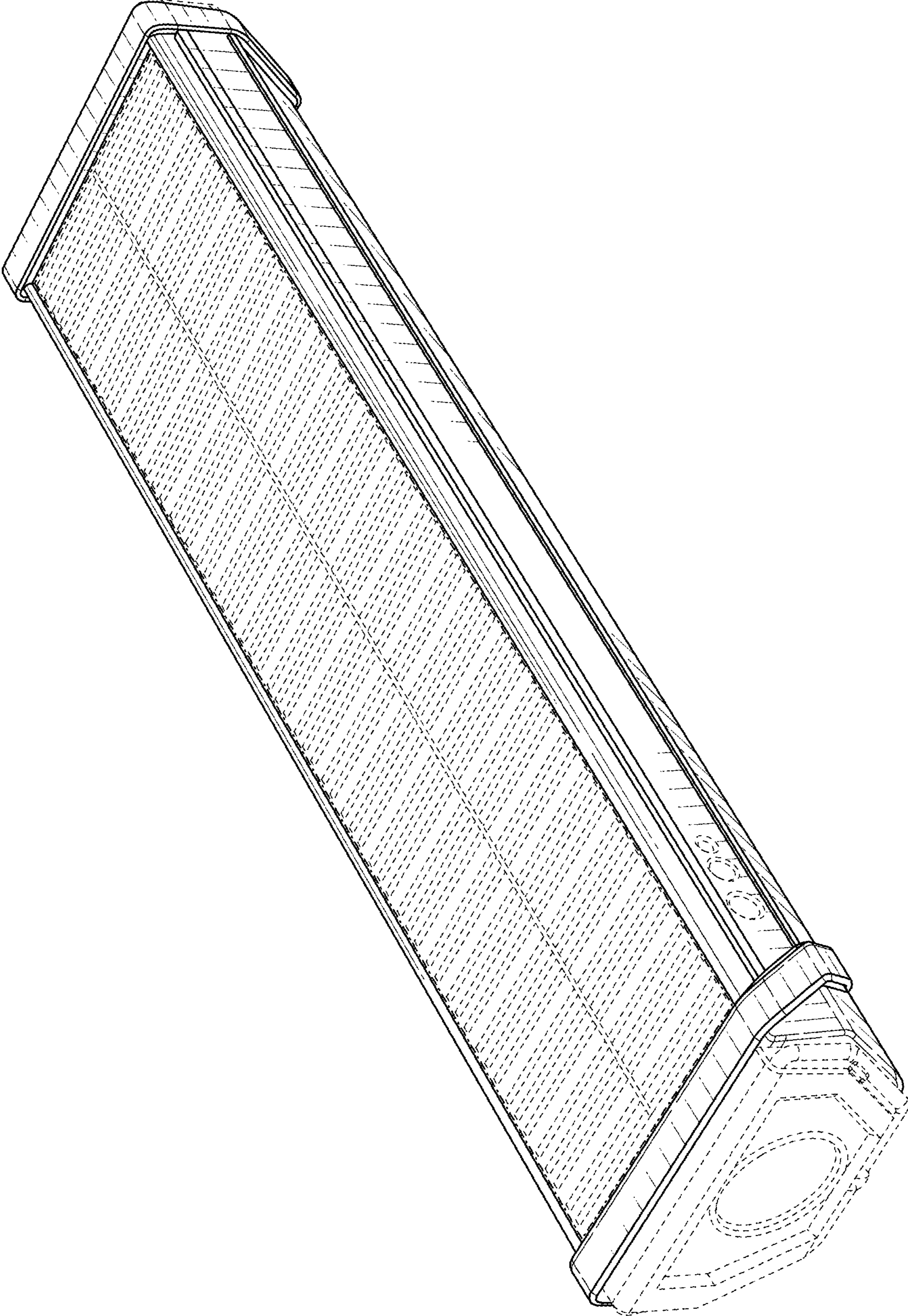


FIG. 1

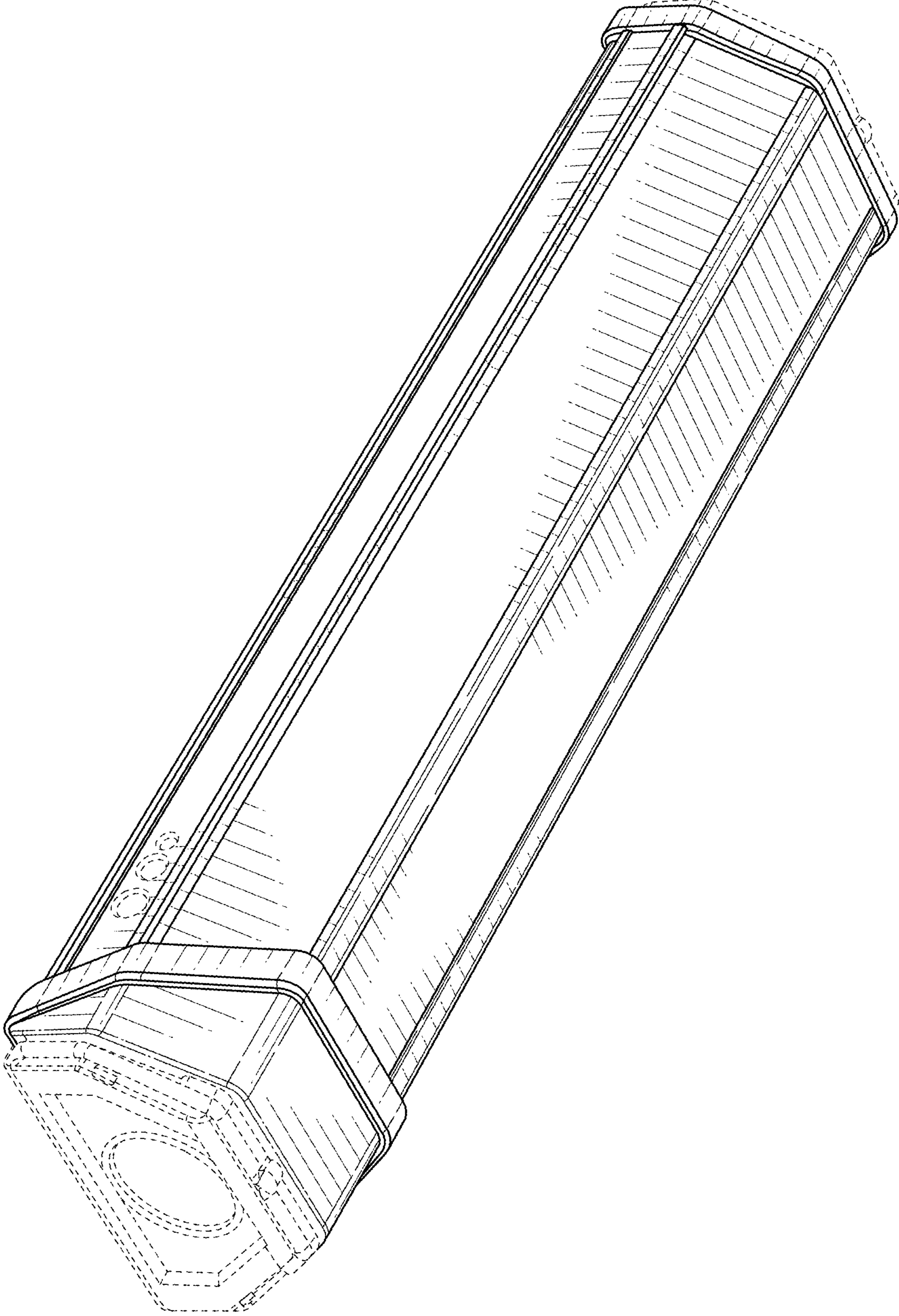


FIG. 2

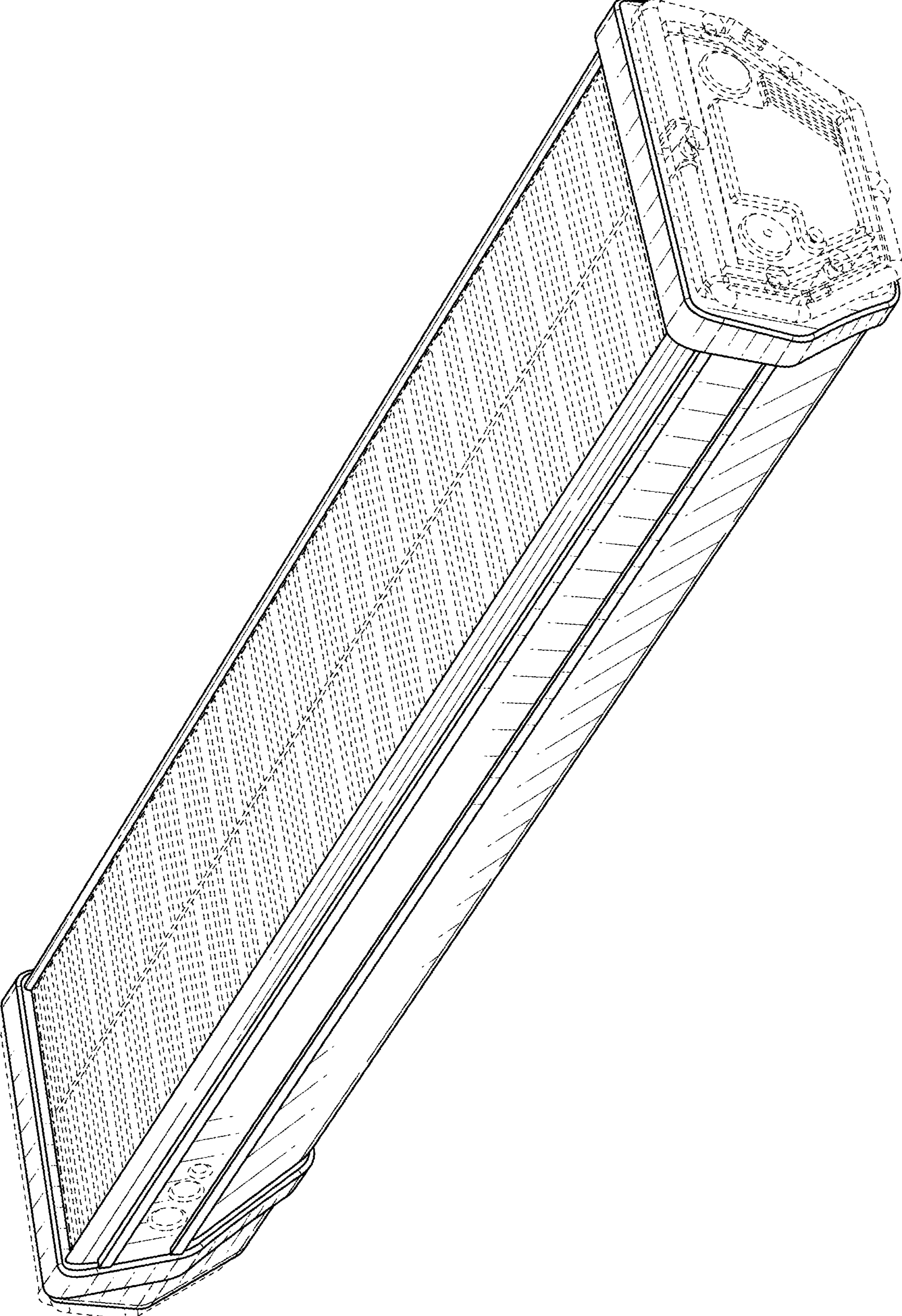


FIG. 3

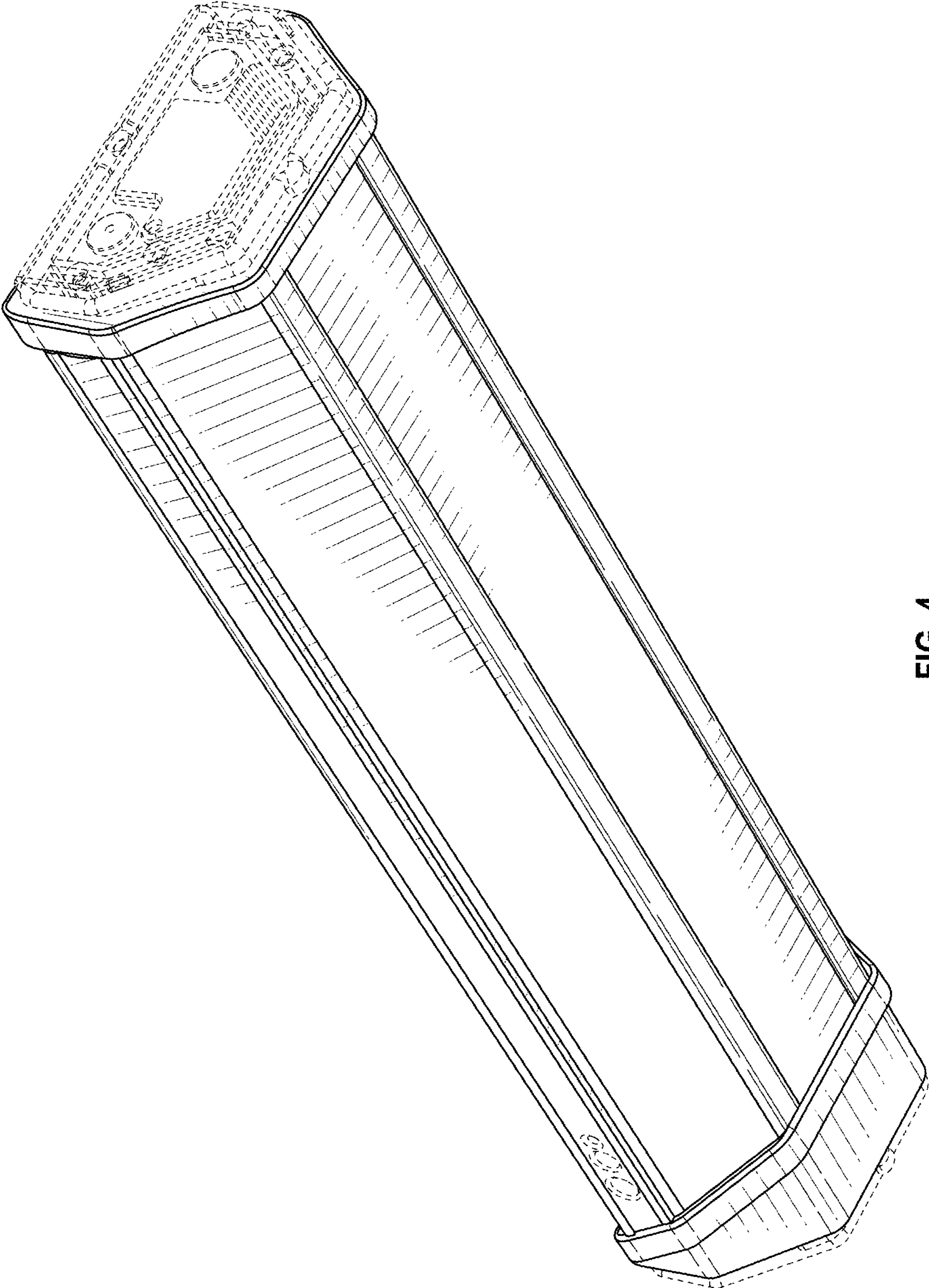


FIG. 4

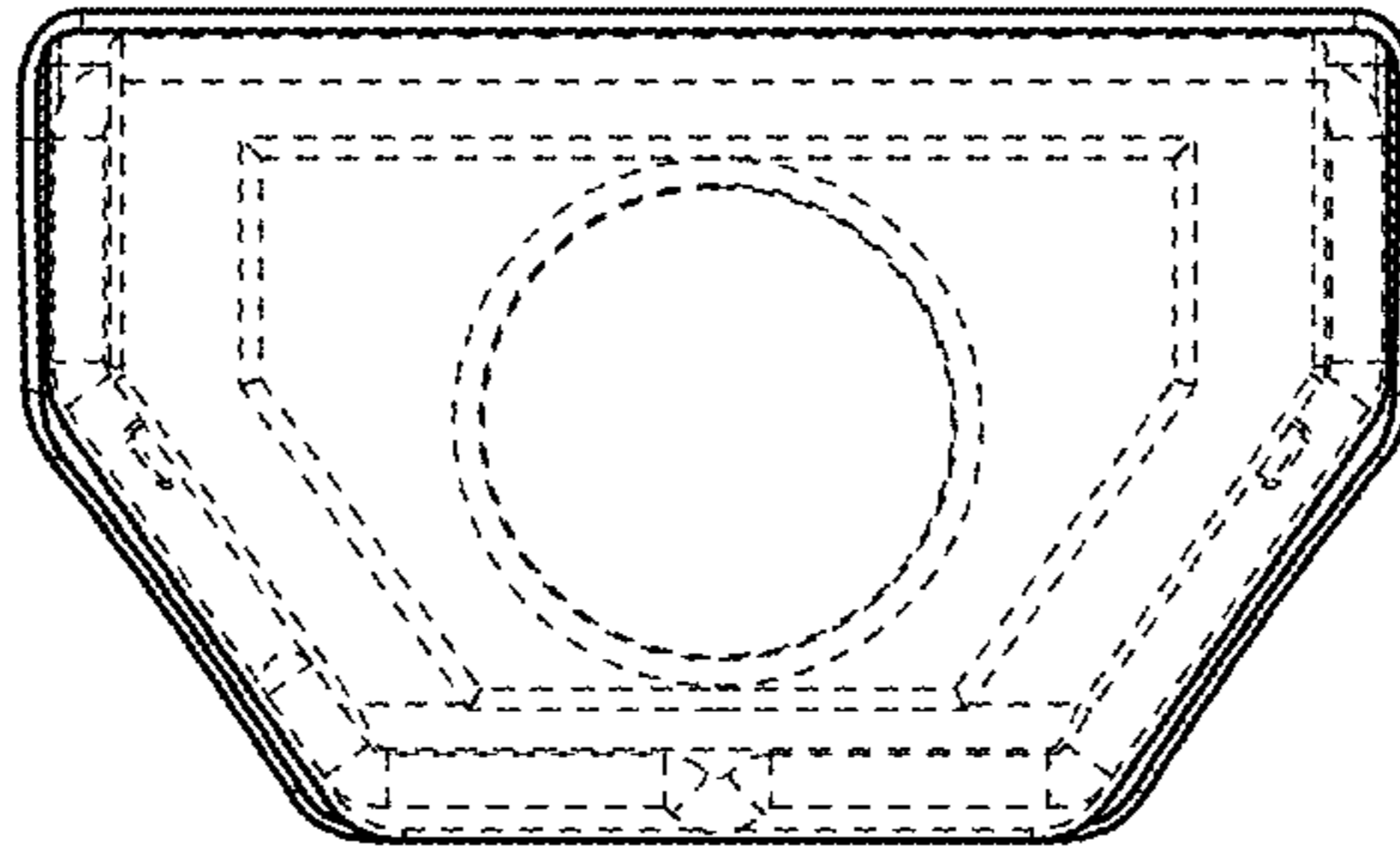


FIG. 5

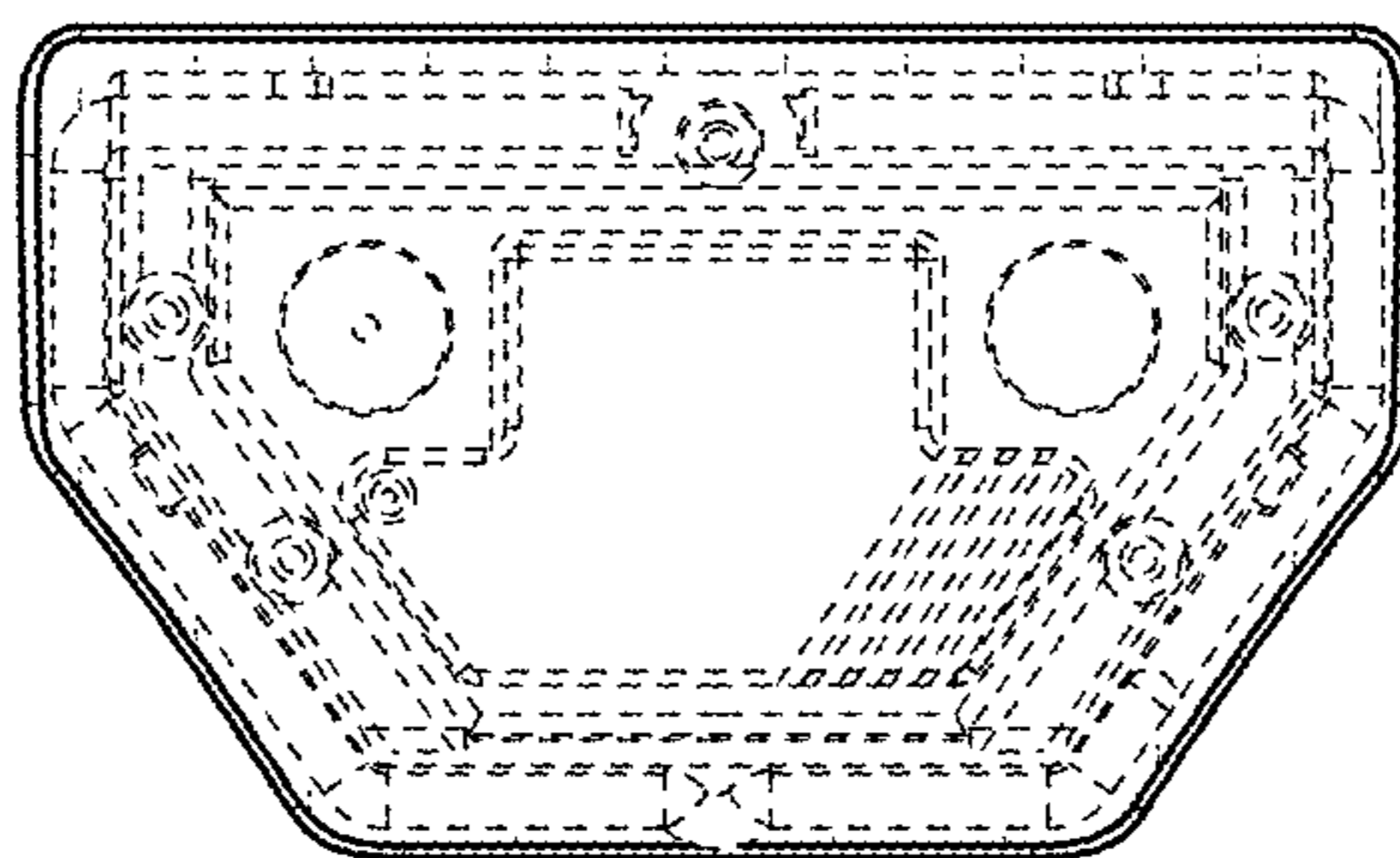


FIG. 6

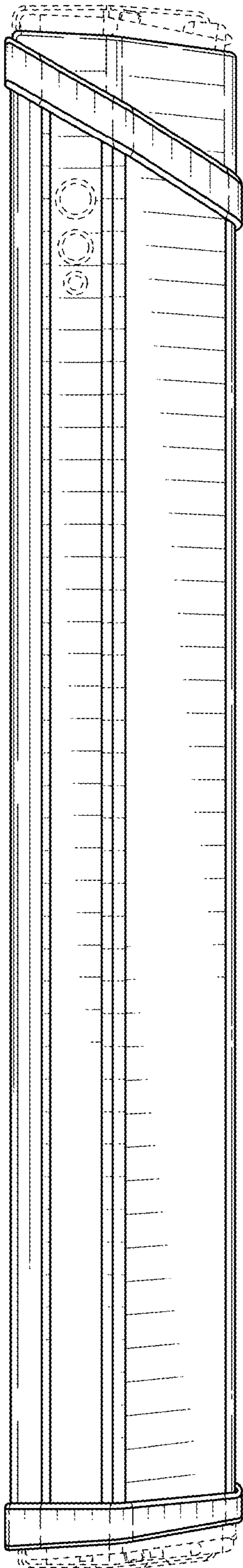


FIG. 7

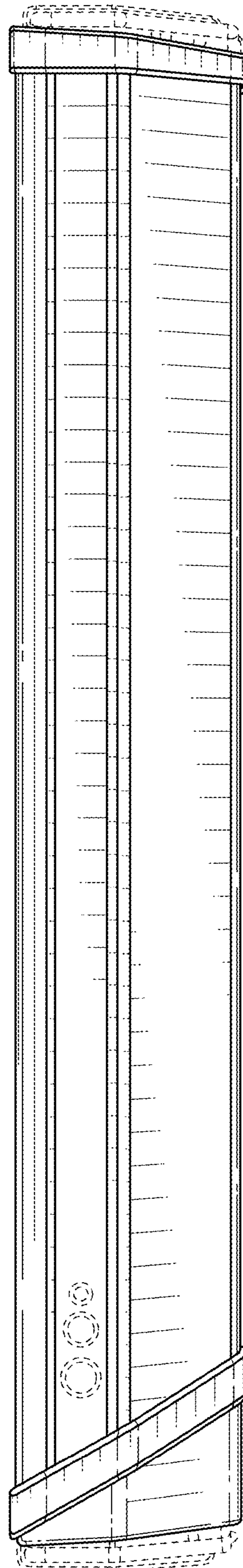


FIG. 8



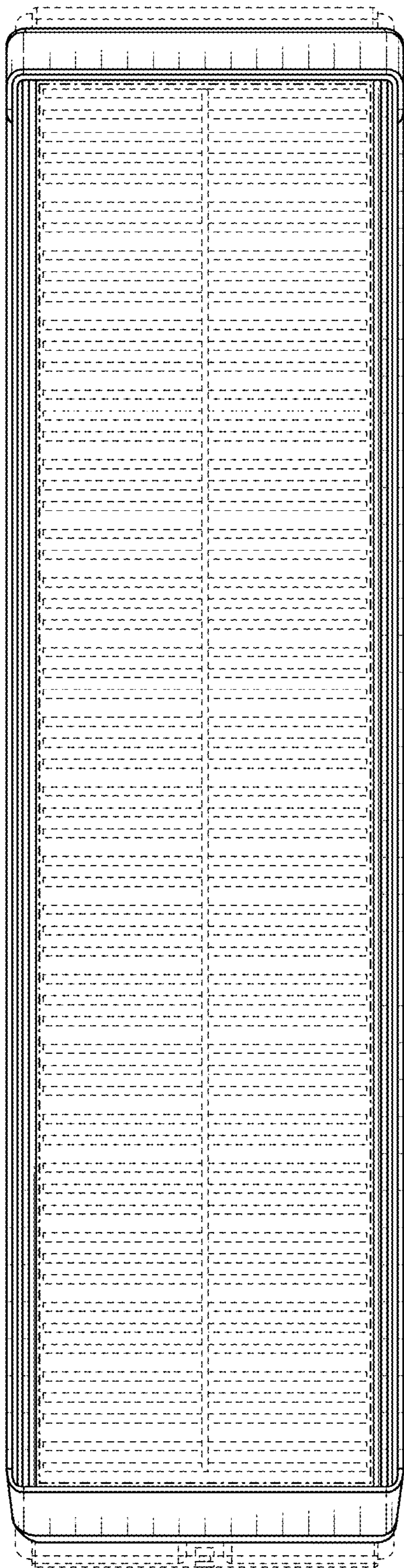


FIG. 9

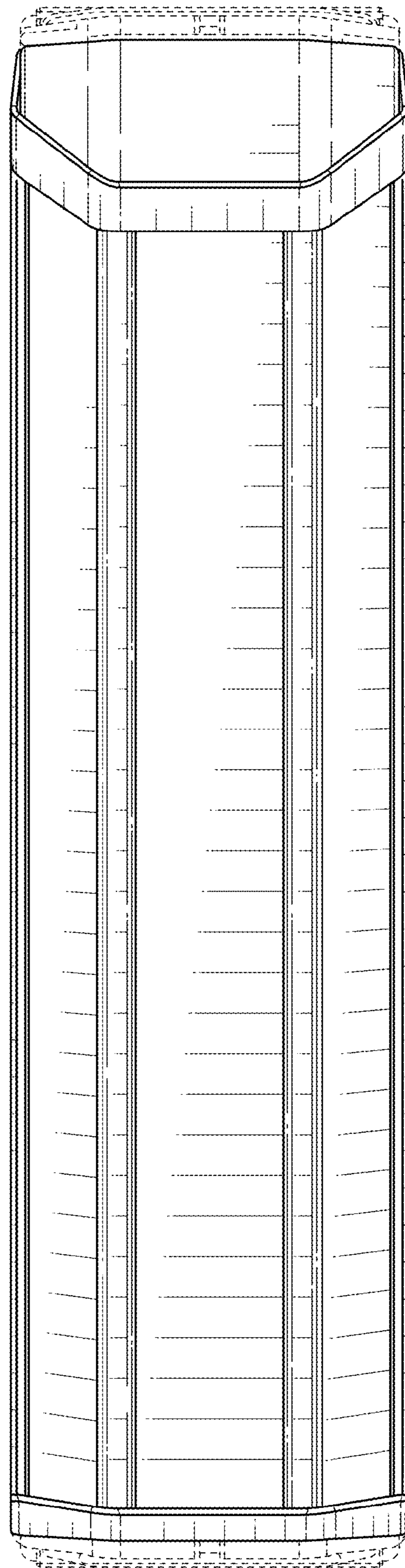


FIG. 10