



US00D972176S

(12) **United States Design Patent** (10) **Patent No.:** **US D972,176 S**
Belzinskas et al. (45) **Date of Patent:** **** Dec. 6, 2022**

(54) **LIGHT SOURCE**

(71) Applicant: **Infinite Arthroscopy, Inc. Limited**,
Cleveland Heights, OH (US)

(72) Inventors: **Laimis Kazimieras Belzinskas**,
Kirtland, OH (US); **Steve Latham**, Sun
Prairie, WI (US); **Craig Patrick
Conner**, Madison, WI (US); **Cory
Boudreau**, Lake Mills, WI (US); **Ilya
Malinskiy**, Cleveland Heights, OH
(US); **Eugene Malinskiy**, Mayfield
Heights, OH (US); **Christopher Alan
Harris**, Somerville, MA (US); **Daniel
Alan Nelson**, Akron, OH (US);
Jacquelyn Aguilera, Cleveland, OH
(US); **James A. Amos**, North Canton,
OH (US)

(73) Assignee: **LAZURITE HOLDINGS LLC**,
Cleveland, OH (US)

(**) Term: **15 Years**

(21) Appl. No.: **29/745,557**

(22) Filed: **Aug. 6, 2020**

(51) **LOC (13) Cl.** **26-04**

(52) **U.S. Cl.**
USPC **D26/2; D26/113; D26/118**

(58) **Field of Classification Search**
USPC D26/1-4, 24, 37-52, 60, 113, 118-119,
D26/138; D24/133, 137-138, 141, 146
CPC A61B 1/0669; A61B 1/07; A61B 1/0638;
A61B 1/0684; A61B 90/30; A61B
1/0676; A61B 2090/309; A61B 18/22;
A61B 1/00126; A61B 1/0661; A61B
1/00009

See application file for complete search history.

(56) **References Cited**

U.S. PATENT DOCUMENTS

5,178,616 A 1/1993 Uemiya et al.
5,311,859 A 5/1994 Monroe et al.

5,879,289 A 3/1999 Yarush et al.
6,007,255 A 12/1999 Krauter
D446,321 S * 8/2001 Lin D26/1
6,449,006 B1 9/2002 Shipp
D465,588 S * 11/2002 Nagano D26/28
(Continued)

FOREIGN PATENT DOCUMENTS

CN 101821866 A 9/2010
CN 104603530 A 6/2015
EP 2822111 A1 1/2015
GB 1542873 A 3/1979
(Continued)

OTHER PUBLICATIONS

180 PCS Wire Connectors. By romeda. Dated Dec. 22, 2020. Found
online [May 6, 2022]. <https://www.amazon.com/Insulating-Electrical-Connectors-Portable-Connection/dp/B08DHZHQ4M> (Year: 2020).*
(Continued)

Primary Examiner — Marissa J Cash

Assistant Examiner — William B Melliar

(74) *Attorney, Agent, or Firm* — Dennemeyer &
Associates; Victoria Friedman

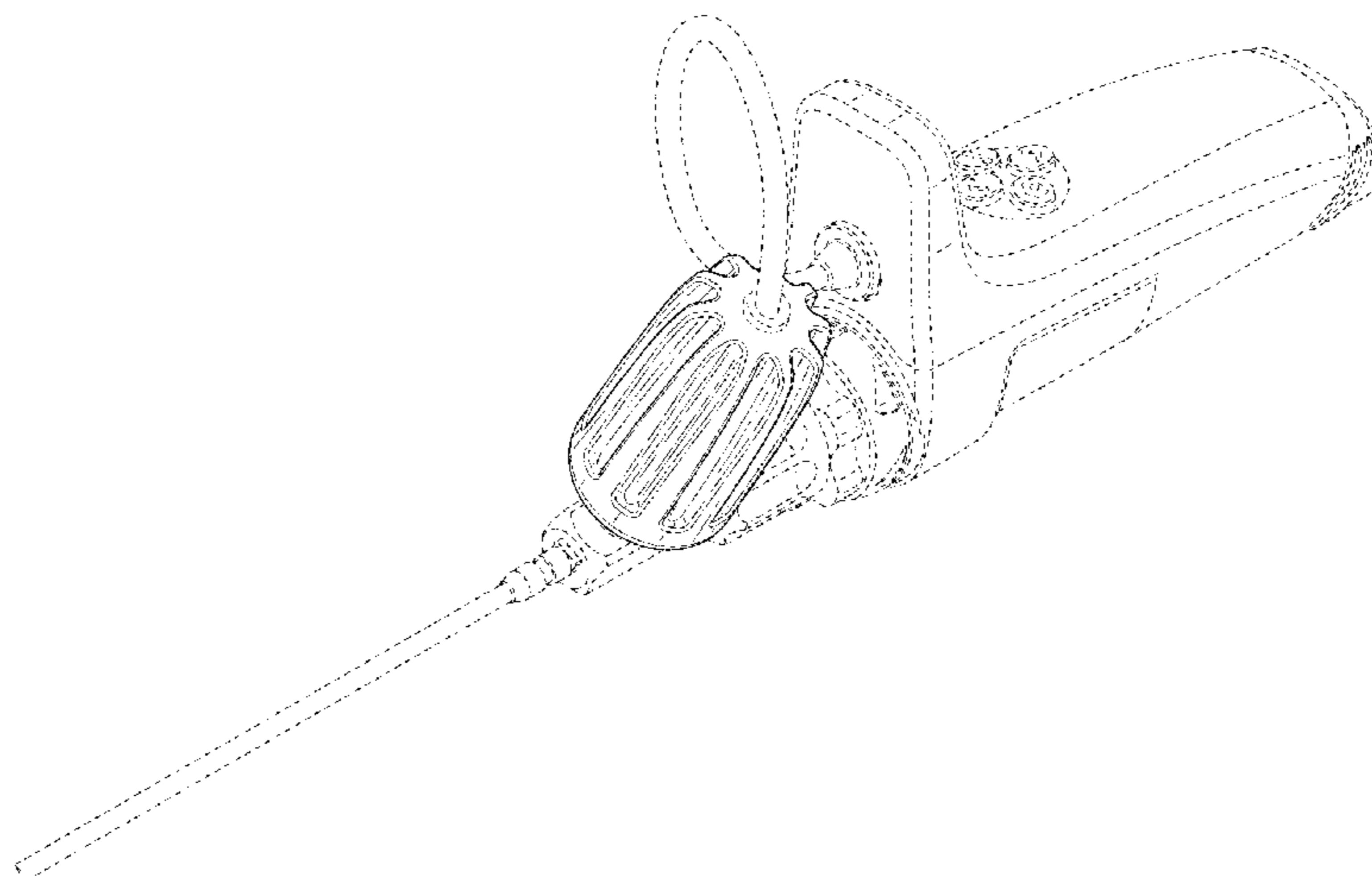
(57) **CLAIM**

The ornamental design for a light source, as shown and
described.

DESCRIPTION

FIG. 1 is a front perspective view of a light source showing
our new design;
FIG. 2 is a front elevational view thereof;
FIG. 3 is a rear elevational view thereof;
FIG. 4 is a left-side elevational view thereof;
FIG. 5 is a right-side elevational view thereof;
FIG. 6 is a top plan view thereof; and,
FIG. 7 is a bottom plan view thereof.
The broken lines shown in the drawings depict environments
that form no part of the claimed design.

1 Claim, 6 Drawing Sheets



(56)

References Cited

U.S. PATENT DOCUMENTS

6,494,826 B1 12/2002 Chatenever et al.
D478,393 S * 8/2003 Alduby D26/118
6,806,681 B1 10/2004 Cheiky
7,091,653 B2 8/2006 Ouderkirk et al.
7,091,661 B2 8/2006 Ouderkirk
7,193,248 B2 3/2007 Weindorf et al.
D547,466 S * 7/2007 Lo D26/2
7,394,188 B2 7/2008 Ouderkirk et al.
7,442,167 B2 10/2008 Dunki-Jacobs et al.
D586,497 S * 2/2009 Wu D26/118
D586,498 S * 2/2009 Wu D26/118
D586,946 S * 2/2009 Huang D26/118
7,513,669 B2 4/2009 Chua et al.
7,553,683 B2 6/2009 Martin et al.
7,668,450 B2 2/2010 Todd
D616,576 S * 5/2010 Wang D26/2
7,724,412 B2 5/2010 Powell
7,777,243 B2 8/2010 Lin et al.
7,786,879 B2 8/2010 Lax
7,798,692 B2 9/2010 Krupa
D626,094 S * 10/2010 Alexander D13/179
7,837,348 B2 11/2010 Narendran et al.
7,839,072 B2 11/2010 Horiuchi et al.
D629,930 S * 12/2010 Cotter D26/2
D636,115 S * 4/2011 Dai D26/134
8,029,439 B2 10/2011 Todd
8,083,364 B2 12/2011 Allen
8,088,304 B2 1/2012 Winkler et al.
8,128,557 B2 3/2012 Scholly et al.
8,142,051 B2 3/2012 Ducharme
D663,867 S * 7/2012 Yu D26/2
D665,527 S * 8/2012 Harger D26/136
D668,800 S * 10/2012 Liu D26/2
D669,210 S * 10/2012 Guercio D26/136
D672,895 S * 12/2012 Guercio D26/62
8,395,312 B2 3/2013 Hum
8,436,388 B2 5/2013 Lim et al.
D685,507 S * 7/2013 Sun D26/2
8,519,609 B2 8/2013 Winkler et al.
8,545,396 B2 10/2013 Cover et al.
8,558,880 B2 10/2013 Nambakam et al.
8,562,161 B2 10/2013 Tong et al.
8,585,273 B2 11/2013 Pokrovskiy et al.
8,622,893 B2 1/2014 Mathieu
8,625,097 B2 1/2014 Brukilacchio
8,632,196 B2 1/2014 Tong et al.
8,748,921 B2 6/2014 Martin et al.
8,810,126 B2 8/2014 Ito
8,827,888 B2 9/2014 Bolyard
8,841,146 B2 9/2014 Yen et al.
8,882,284 B2 11/2014 Tong et al.
8,928,219 B2 1/2015 Chan et al.
8,946,982 B2 2/2015 Winkler et al.
9,147,814 B2 9/2015 Waragaya
9,217,544 B2 12/2015 Tong et al.
9,217,545 B2 12/2015 Ito
9,287,469 B2 3/2016 Chakraborty
9,303,830 B2 4/2016 Ito
9,316,361 B2 4/2016 Tong et al.
9,382,472 B2 7/2016 Hefner, Jr. et al.
9,383,496 B2 7/2016 Parker et al.
9,404,637 B2 8/2016 Aeling et al.
9,464,224 B2 10/2016 Deshpande et al.
9,500,325 B2 11/2016 Tong et al.
9,551,468 B2 1/2017 Jones
9,553,230 B2 1/2017 Yoshida et al.
9,587,791 B2 3/2017 Ito
9,611,987 B2 4/2017 Kelchner et al.
9,677,719 B2 6/2017 He et al.
D938,584 S * 12/2021 Harris D24/133
2002/0120181 A1 8/2002 Irion
2003/0156430 A1 8/2003 Ota
2005/0006659 A1 1/2005 Ng et al.
2005/0093430 A1 5/2005 Ibbetson et al.
2005/0116635 A1 6/2005 Ito

2006/0145599 A1 7/2006 Reza et al.
2006/0171693 A1 8/2006 Todd et al.
2006/0226759 A1 10/2006 Masuda et al.
2007/0086205 A1 4/2007 Krupa
2007/0267967 A1 11/2007 Soshchin
2008/0048200 A1 2/2008 Mueller et al.
2008/0183028 A1 * 7/2008 Guillen Garcia .. A61B 1/00105
600/7
2008/0261528 A1 10/2008 Rosenblatt
2009/0034230 A1 2/2009 Lim et al.
2009/0040523 A1 2/2009 Brukilacchio
2009/0076328 A1 3/2009 Root et al.
2009/0151785 A1 6/2009 Soshchin et al.
2010/0033075 A1 2/2010 Soshchin et al.
2010/0061077 A1 3/2010 Winkler et al.
2010/0172148 A1 7/2010 Komazaki et al.
2010/0298711 A1 11/2010 Pedersen
2011/0069490 A1 3/2011 Liu
2011/0157865 A1 6/2011 Takashi
2011/0172492 A1 7/2011 Erikawa
2011/0208004 A1 8/2011 Feingold
2011/0227102 A1 9/2011 Hussell et al.
2011/0261183 A1 10/2011 Ma et al.
2012/0029289 A1 2/2012 Kucklick
2012/0051075 A1 3/2012 Harada et al.
2012/0071710 A1 3/2012 Gazdzinski
2012/0116369 A1 5/2012 Viola
2013/0027962 A1 1/2013 Takashi
2013/0100264 A1 4/2013 Kazakevich et al.
2013/0139826 A1 6/2013 Swann et al.
2013/0140983 A1 6/2013 Ling et al.
2013/0188383 A1 7/2013 Jaffe
2013/0314893 A1 11/2013 Paquette
2013/0324794 A1 12/2013 Cover et al.
2013/0334546 A1 12/2013 Wagenblast et al.
2014/0183584 A1 7/2014 Tong et al.
2014/0221740 A1 8/2014 Kawula et al.
2014/0275763 A1 9/2014 King
2014/0320677 A1 10/2014 Jarvenpaa
2015/0077972 A1 3/2015 Sugiyama et al.
2015/0115302 A1 4/2015 Eder et al.
2015/0130935 A1 5/2015 Siann
2015/0157188 A1 6/2015 Moskowitz et al.
2015/0182118 A1 7/2015 Bradbury et al.
2015/0184830 A1 7/2015 Nagao et al.
2015/0362828 A1 12/2015 Patel et al.
2016/0004147 A1 1/2016 Hu et al.
2016/0018100 A1 1/2016 Batt et al.
2016/0213230 A1 7/2016 Adair et al.
2016/0248994 A1 8/2016 Liu
2016/0262597 A1 9/2016 Danchinyu et al.
2017/0003000 A1 1/2017 Narendran et al.
2017/0045201 A1 2/2017 Jones
2018/0245775 A1 8/2018 Malinskiy et al.

FOREIGN PATENT DOCUMENTS

JP 2006-518939 A 8/2006
JP 2010-0541295 A 12/2010
JP 2015060871 A 3/2015
WO 2004068903 A2 8/2004
WO 2008087243 A1 7/2008
WO 2009048704 A2 4/2009
WO 2012016224 A2 2/2012
WO 2012025179 A1 3/2012
WO 2013139619 A1 9/2013
WO 2013139620 A1 9/2013
WO 2013139675 A1 9/2013
WO 2015127630 A1 9/2015
WO 2017031138 A1 2/2017
WO 2017087448 5/2017
WO 2018152196 8/2018

OTHER PUBLICATIONS

International Search Report and Written Opinion of the International Searching Authority, dated Apr. 26, 2018, for International Application No. PCT/US2018/018172.

(56)

References Cited

OTHER PUBLICATIONS

Extended European Search Report dated Jan. 29, 2019 for European Patent Application No. 16837714.1, 8 pages.

Notice of Reasons for Rejection dated Feb. 5, 2019 for Japanese Patent Application No. 2018-509824, 10 pages.

First Notification of Office Action dated Dec. 26, 2018 for Chinese Patent Application No. 201680048579.6, 5 pages.

Search Report for Chinese Patent Application No. 201680048579.6, 2 pages.

3rd Chinese Office Action dated Apr. 1, 2020 for Chinese Patent Application No. 201680048579.6, 8 pages.

International Search Report and Written Opinion dated Jul. 21, 2020 for International Patent Application No. PCT/US2020/028505, 9 pages.

Japanese Office Action dated Jun. 18, 2019 for Japanese Application No. 2018509824, 12 pages.

International Search Report and Written Opinion issued in Application No. PCT/US2016/047235 dated Oct. 28, 2016, 11 pages.

* cited by examiner

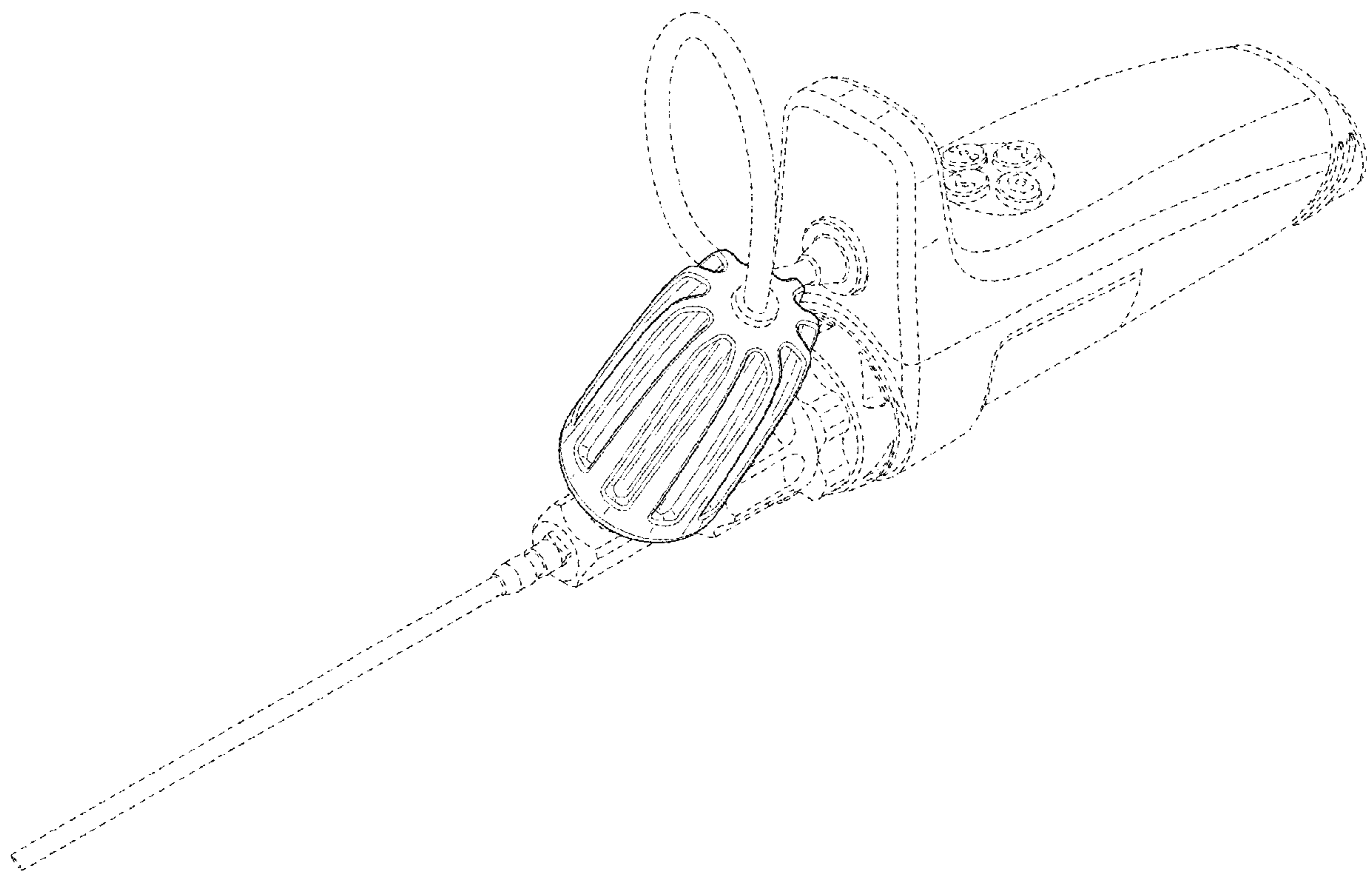


FIG. 1

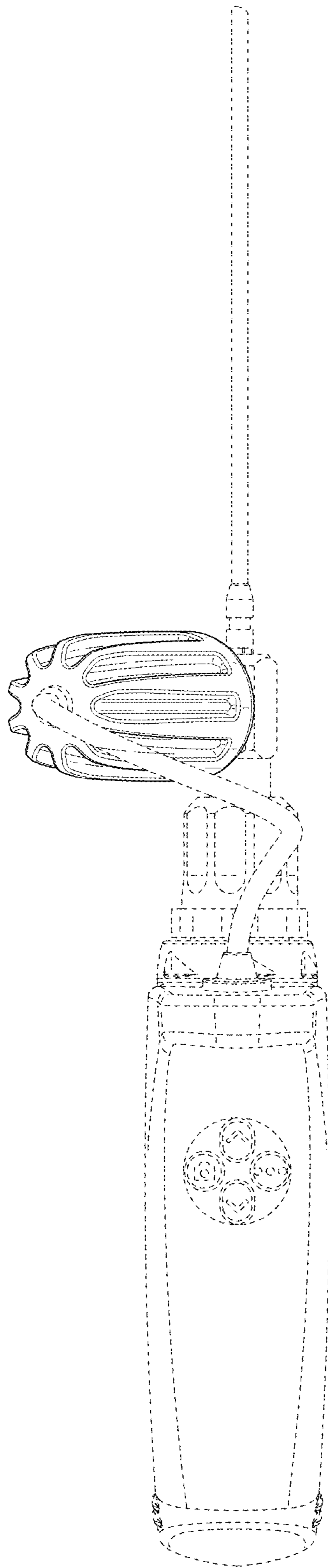


FIG. 2

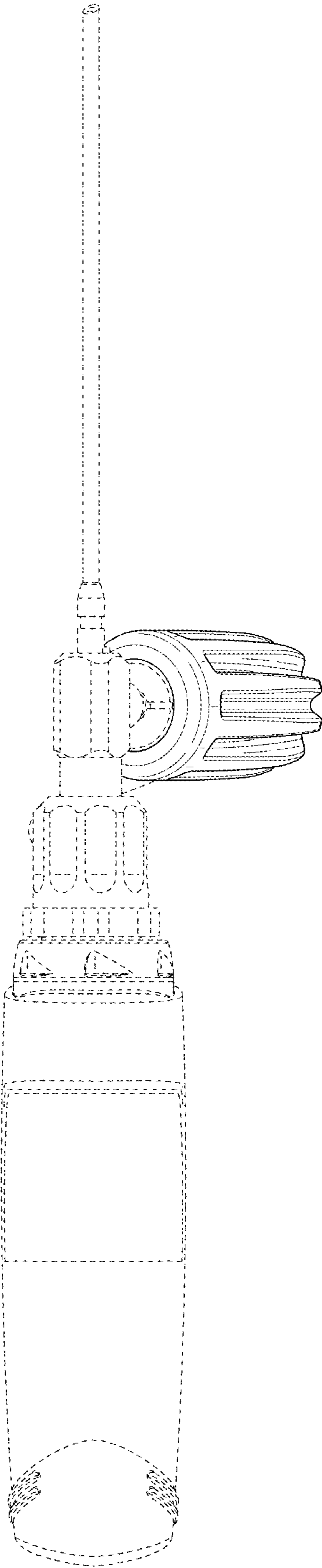


FIG. 3

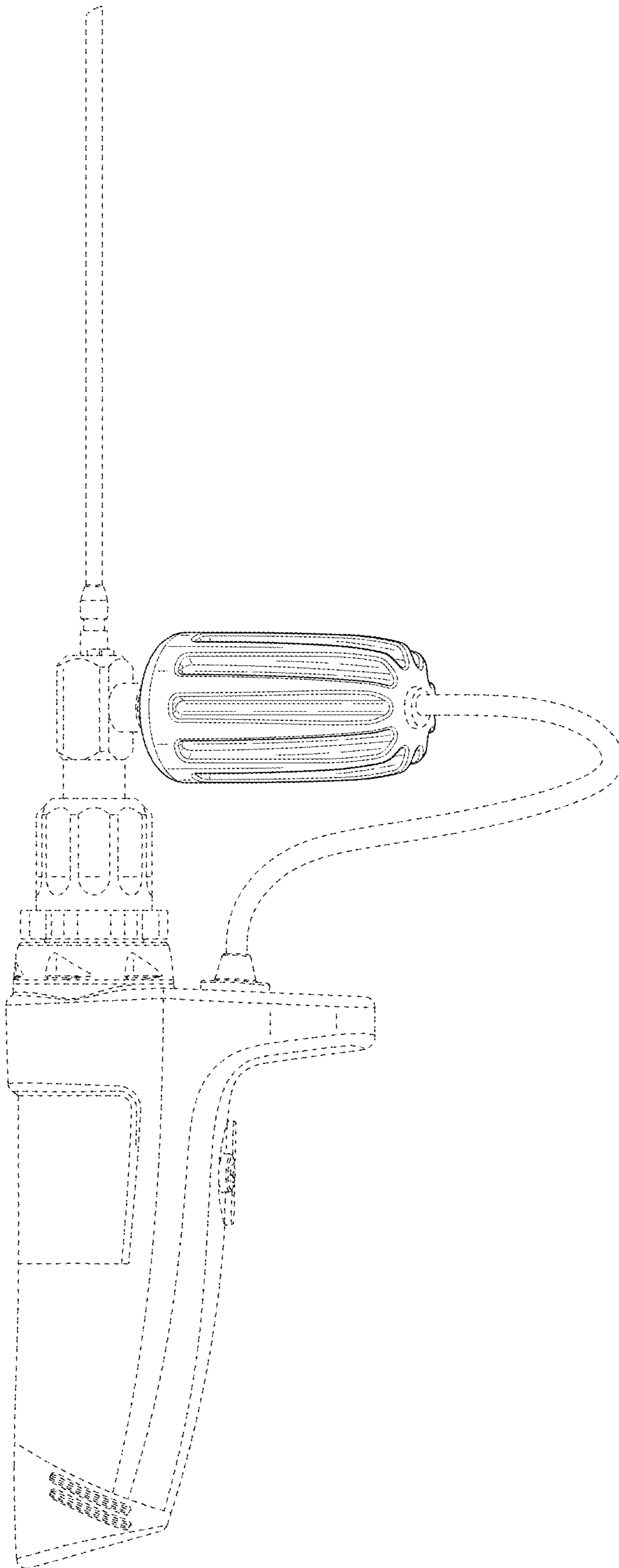


FIG. 4

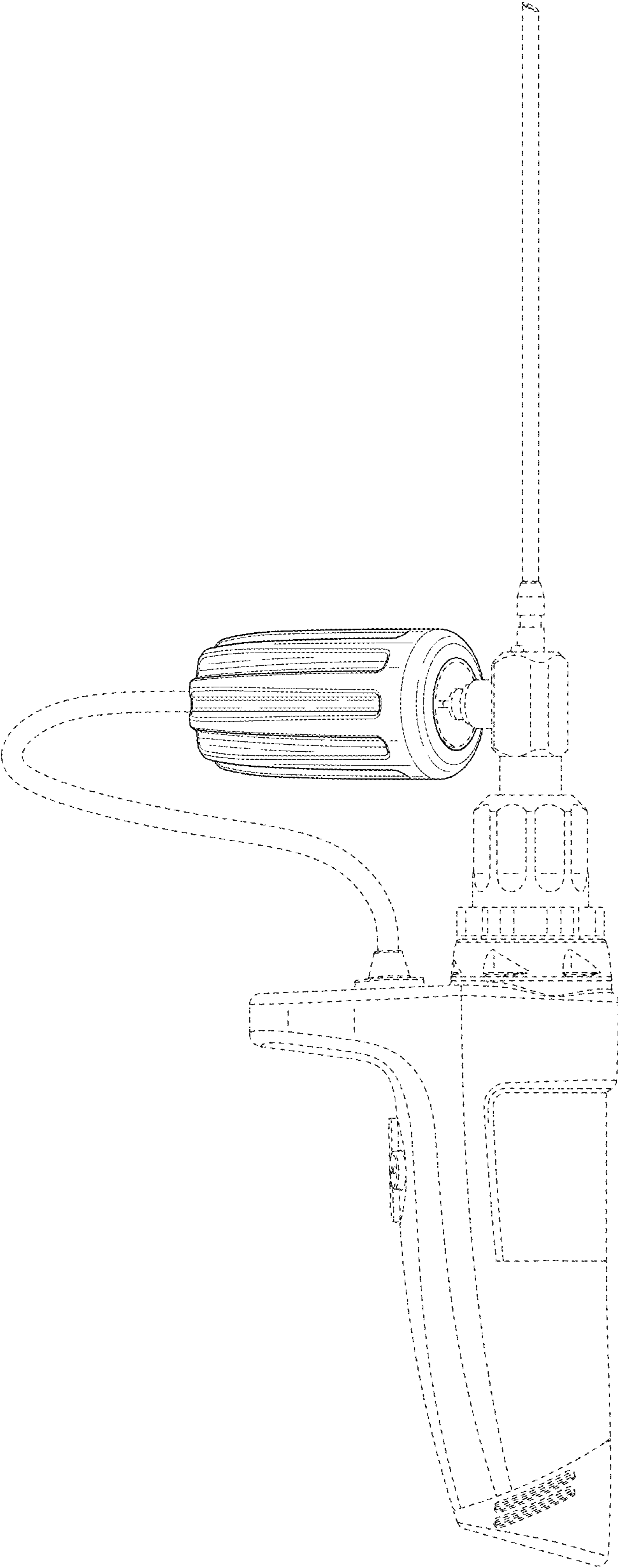


FIG. 5

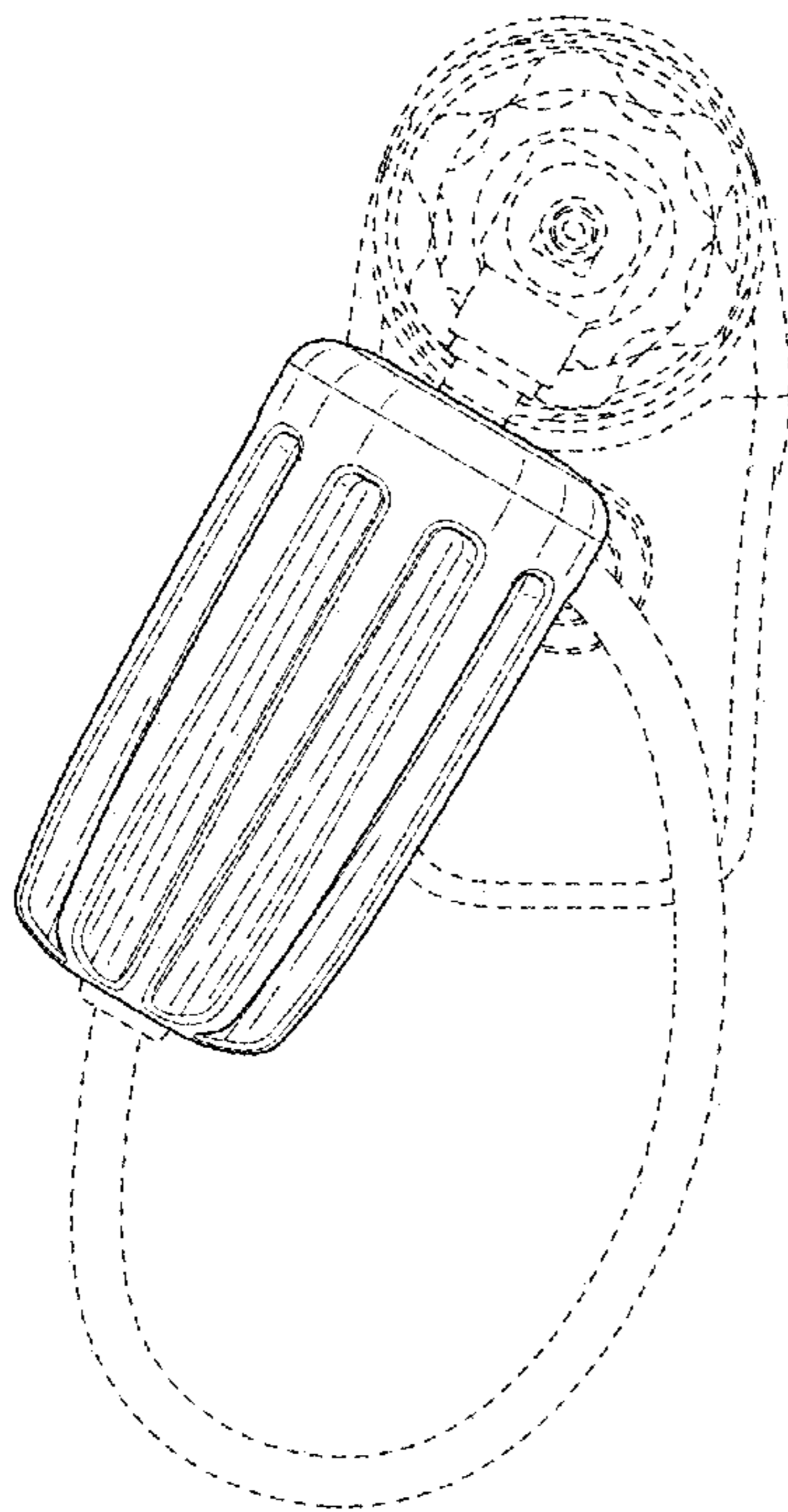


FIG. 6

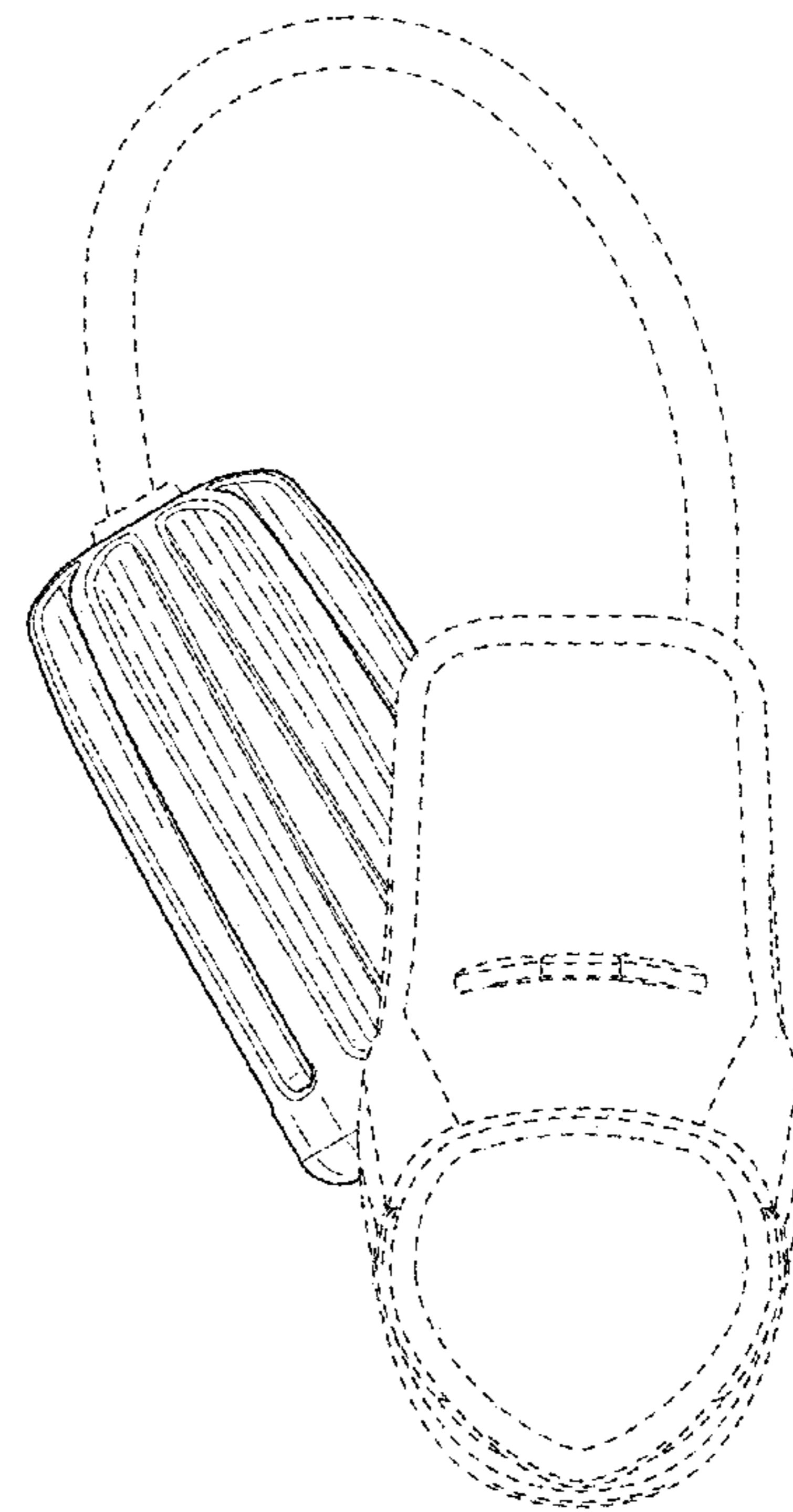


FIG. 7