



US00D972175S

(12) **United States Design Patent**
Stiles

(10) **Patent No.:** **US D972,175 S**
(45) **Date of Patent:** **** Dec. 6, 2022**

(54) **PERMEABLE PAVER**

FOREIGN PATENT DOCUMENTS

(71) Applicant: **Airlite Plastics Co.**, Omaha, NE (US)

JP 11061718 3/1999

(72) Inventor: **Barry J. Stiles**, Houston, TX (US)

OTHER PUBLICATIONS

(73) Assignee: **Airlite Plastics Co.**, Omaha, NE (US)

Innovative paving system changing Lid industry—Houston Chronicle (on-line), dated Jan. 30, 2015. Retrieved from Internet May 15, 2019, URL: <https://www.chron.com/neighborhood/bellaire/news/article/Innovative-paving-system-changing-LID-industry-9616958> <<http://www.chron.com/neighborhood/bellaire/news/article/Innovative-paving-system-changing-LID-industry-9616958>> ing-LID-industry-9616958. <<http://www.chron.com/neighborhood/bellaire/news/article/Innovative-paving-system-changing-LID-industry-9616958>> php (3 pages) (Year: 2015).

(**) Term: **15 Years**

(Continued)

(21) Appl. No.: **29/715,482**

(22) Filed: **Dec. 2, 2019**

Related U.S. Application Data

(63) Continuation of application No. 29/655,076, filed on Jun. 29, 2018, now abandoned, which is a continuation-in-part of application No. 15/360,244, filed on Nov. 23, 2016, now Pat. No. 10,072,383, which is a continuation-in-part of application No. 15/255,853, filed on Sep. 2, 2016, now Pat. No. 9,617,698.

Primary Examiner — Kimberly Barnes

(74) *Attorney, Agent, or Firm* — Banner & Witcoff, Ltd.

(60) Provisional application No. 62/272,261, filed on Dec. 29, 2015.

(57) **CLAIM**

The ornamental design for a permeable paver, as shown and described.

(51) **LOC (13) Cl.** **25-01**

DESCRIPTION

(52) **U.S. Cl.**

USPC **D25/155**

(58) **Field of Classification Search**

USPC D25/138, 139, 140, 142, 143, 144, 149, D25/150, 152, 153, 156, 157, 158, 163, D25/155; D21/809, 811, 814

CPC ... E01C 13/08; E01C 5/20; E01C 5/00; A63C 19/04; B32B 3/00; E04F 11/16; E04F 13/08; E02B 11/00

See application file for complete search history.

FIG. 1 is a top plan view of a permeable paver showing my new design;
FIG. 2 is a right side elevation view of the permeable paver of FIG. 1;
FIG. 3 is a front elevation view of the permeable paver of FIG. 1;
FIG. 4 is a left side elevation view of the permeable paver of FIG. 1;
FIG. 5 is a rear elevation view of the permeable paver of FIG. 1;
FIG. 6 is an enlarged top plan view of a fastening element that protrudes from the rear and left side of the permeable paver of FIG. 1; and,
FIG. 7 is an enlarged top plan view of a connection element of the permeable paver of FIG. 1.

The broken lines in the drawings depict portions of the permeable paver that form no part of the claimed design.

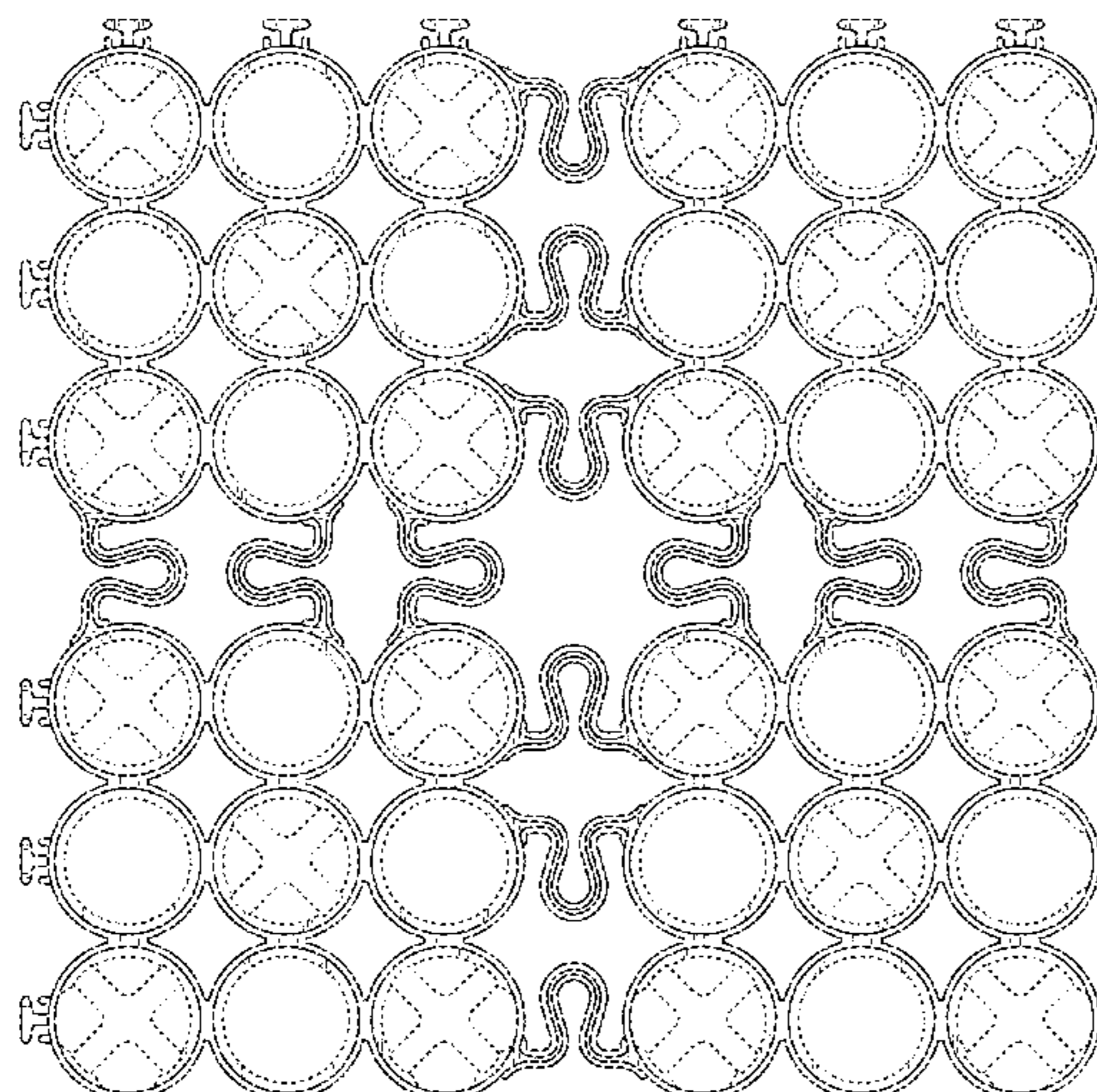
(56) **References Cited**

U.S. PATENT DOCUMENTS

1,765,652 A 6/1930 Burgess
1,981,206 A 11/1934 Strauss
1,982,109 A 11/1934 Keown

(Continued)

1 Claim, 3 Drawing Sheets



(56)

References Cited

U.S. PATENT DOCUMENTS

2,183,657 A 12/1939 Page
 3,125,196 A 3/1964 Fenner
 3,310,906 A 3/1967 Glukes
 3,990,247 A 11/1976 Palmer
 4,111,585 A 9/1978 Mascaro
 4,440,818 A 4/1984 Buchan et al.
 4,749,302 A 6/1988 DeClute
 5,250,340 A 10/1993 Bohnhoff
 5,406,745 A 4/1995 Lin
 5,411,782 A 5/1995 Jarvis et al.
 5,848,856 A 12/1998 Bohnhoff
 D414,281 S 9/1999 Sassenberg
 6,027,280 A 2/2000 Connors et al.
 D423,123 S 4/2000 Sassenberg
 6,082,886 A 7/2000 Stanford
 D442,704 S 5/2001 Lee
 6,450,731 B1 9/2002 Bohnhoff
 6,451,400 B1 9/2002 Brock et al.
 6,622,440 B2 9/2003 Mercade
 6,755,550 B1 6/2004 Lackey
 7,070,294 B2 7/2006 Patti
 7,108,454 B2 9/2006 Blackwood
 7,114,298 B2 10/2006 Kotler
 7,210,538 B2 5/2007 Gust et al.
 7,210,876 B2 5/2007 Morales et al.
 D571,024 S 6/2008 Lee
 7,571,572 B2 8/2009 Moller, Jr.
 7,698,859 B2 4/2010 Sansano Marti
 7,815,395 B1 10/2010 Blackwood
 7,950,191 B2 5/2011 Brouwers
 8,235,542 B2 8/2012 Yohanoff
 8,464,490 B2 6/2013 Rapaz
 D685,924 S 7/2013 Lee et al.
 8,683,769 B2 4/2014 Cerny et al.
 8,734,049 B1 5/2014 Stiles
 8,979,420 B2 3/2015 Rusch et al.
 9,169,607 B2 10/2015 Schweizer et al.
 9,353,580 B2* 5/2016 Holtby F16L 3/00
 9,540,811 B2 1/2017 Rapaz
 9,670,624 B1 6/2017 Stiles
 D792,987 S 7/2017 Stiles

9,909,264 B1 3/2018 Stiles
 9,909,266 B1 3/2018 Stiles
 10,072,383 B1 9/2018 Stiles
 D880,730 S * 4/2020 Dominguez Gutierrez
 D25/156
 10,731,303 B2* 8/2020 Lingle E02D 17/20
 10,753,050 B2* 8/2020 Penland, Jr. G06K 19/07764
 10,865,537 B2* 12/2020 Dawson E02D 27/08
 D910,881 S * 2/2021 Lingle D25/152
 10,954,639 B2* 3/2021 Stiles E01C 17/00
 D927,024 S * 8/2021 Lingle D25/152
 2003/0084626 A1 5/2003 Hsieh et al.
 2005/0193669 A1 9/2005 Jenkins et al.
 2008/0052986 A1 3/2008 Son et al.
 2008/0098685 A1 5/2008 Polk
 2008/0272278 A1 11/2008 Shewa et al.
 2008/0276567 A1 11/2008 Rapaz
 2009/0031658 A1 2/2009 Moller, Jr. et al.
 2009/0235605 A1 9/2009 Haney et al.
 2009/0313915 A1 12/2009 Kellner
 2010/0109189 A1 5/2010 Brouwers
 2011/0013384 A1 1/2011 Lu
 2012/0110933 A1 5/2012 Beretta et al.
 2012/0163911 A1 6/2012 Culleton et al.
 2013/0276399 A1 10/2013 Rapaz
 2014/0186573 A1 7/2014 Tubbs
 2016/0301355 A1 10/2016 Small
 2017/0252256 A1 9/2017 Henshue et al.
 2018/0014994 A1 1/2018 Henshue et al.
 2018/0028394 A1 2/2018 Henshue et al.
 2018/0030666 A1 2/2018 Penland, Jr. et al.
 2018/0030667 A1 2/2018 Penland, Jr. et al.
 2019/0352859 A1* 11/2019 Hartman A01K 63/045
 2021/0047786 A1* 2/2021 Conrad B29C 43/18

OTHER PUBLICATIONS

Permeable Plastic Pavers—24×24—Gravel Base—Made in USA by ModuTile (on-line), no date available. Retrieved from Internet May 15, 2019, URL: <https://modutile.com/product/permeable-plastic-pavers-24x24/> (5 pages).

* cited by examiner

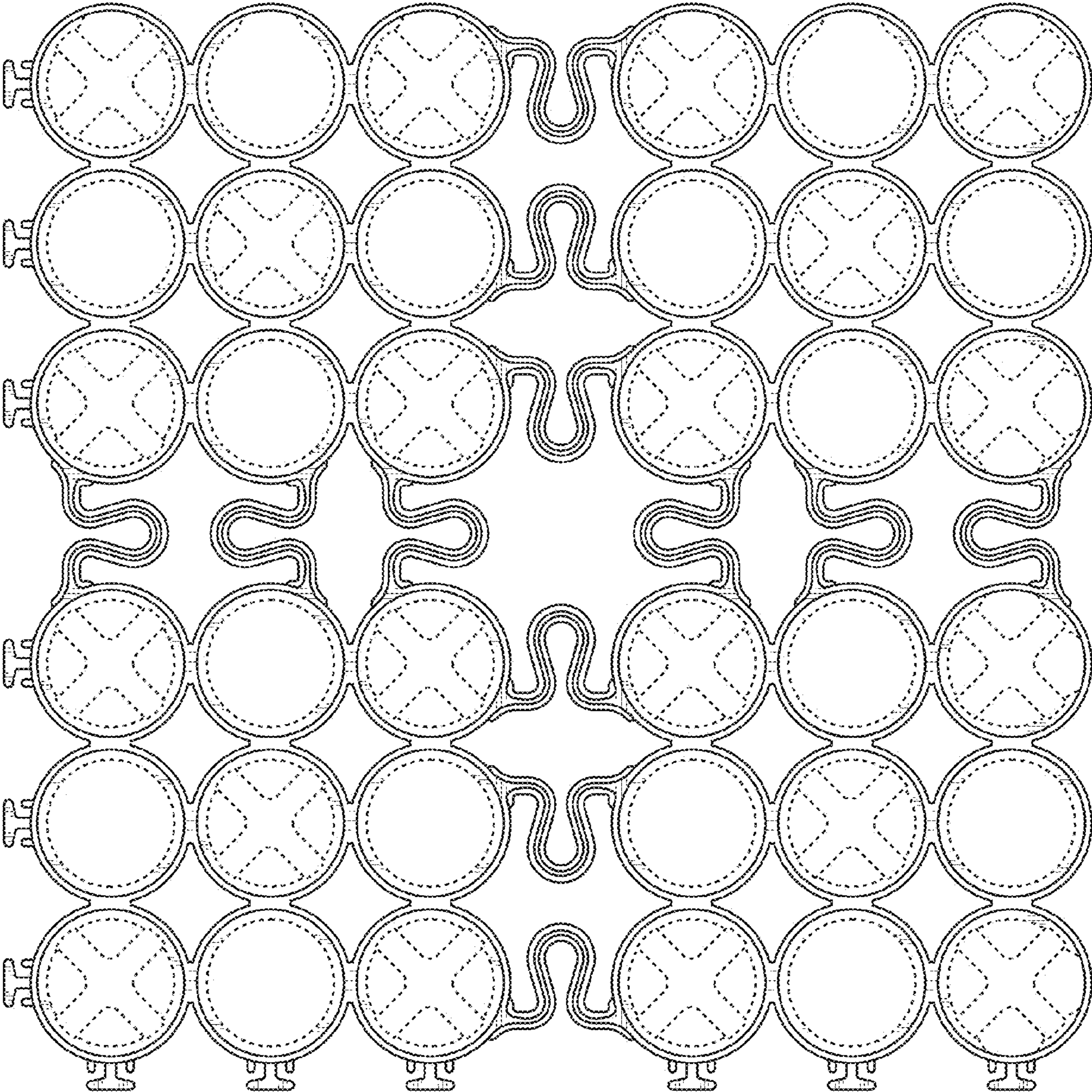


FIG. 1

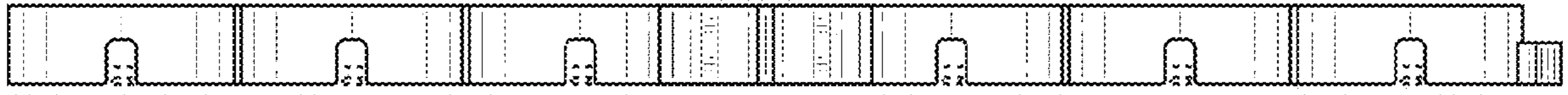


FIG. 2

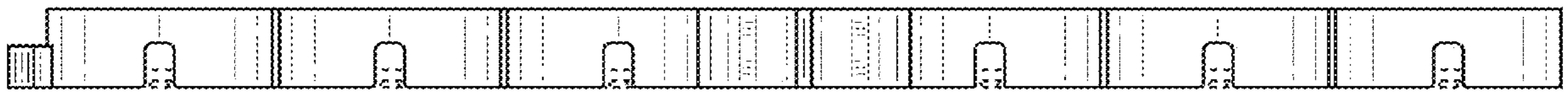


FIG. 3



FIG. 4



FIG. 5

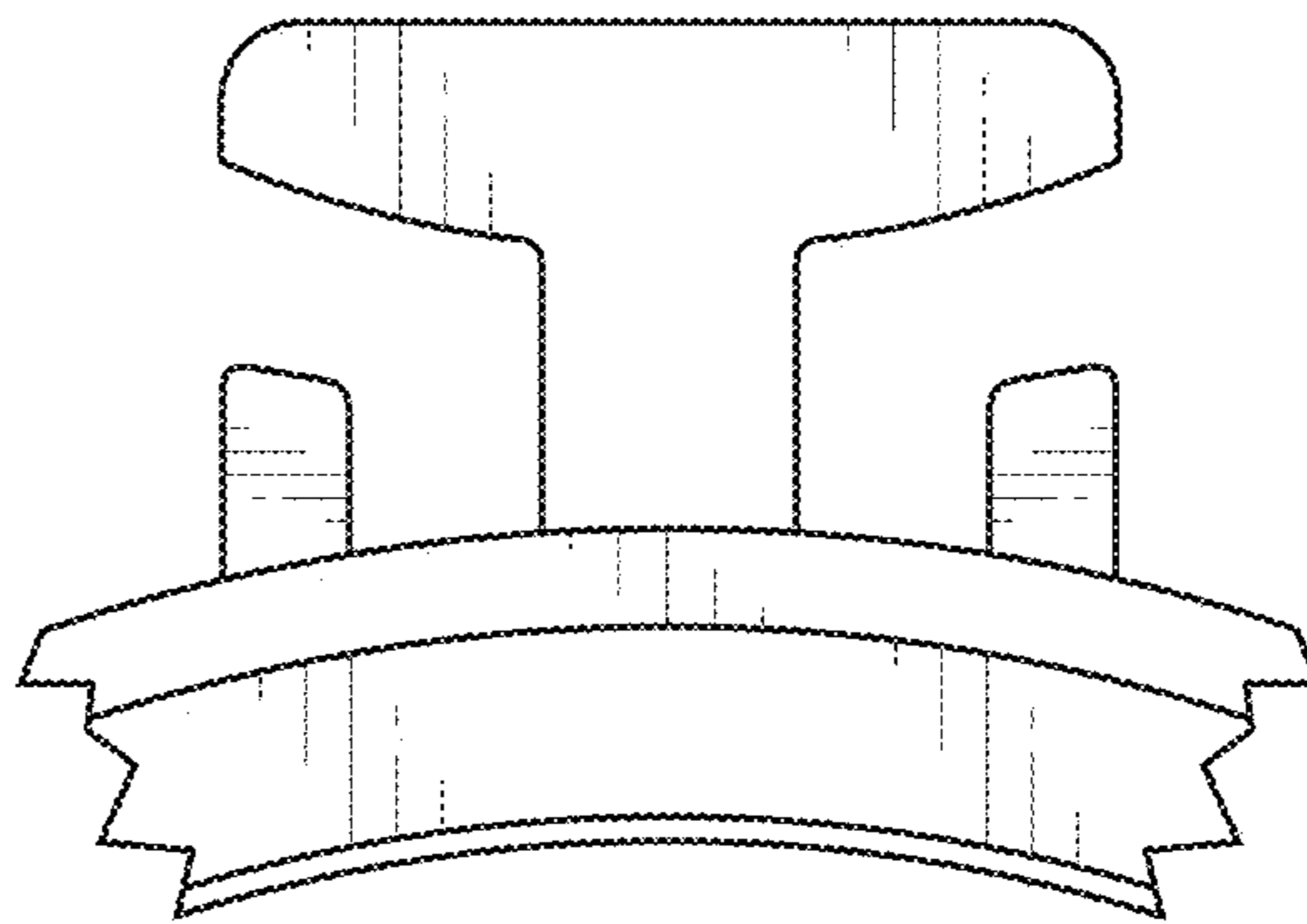


FIG. 6

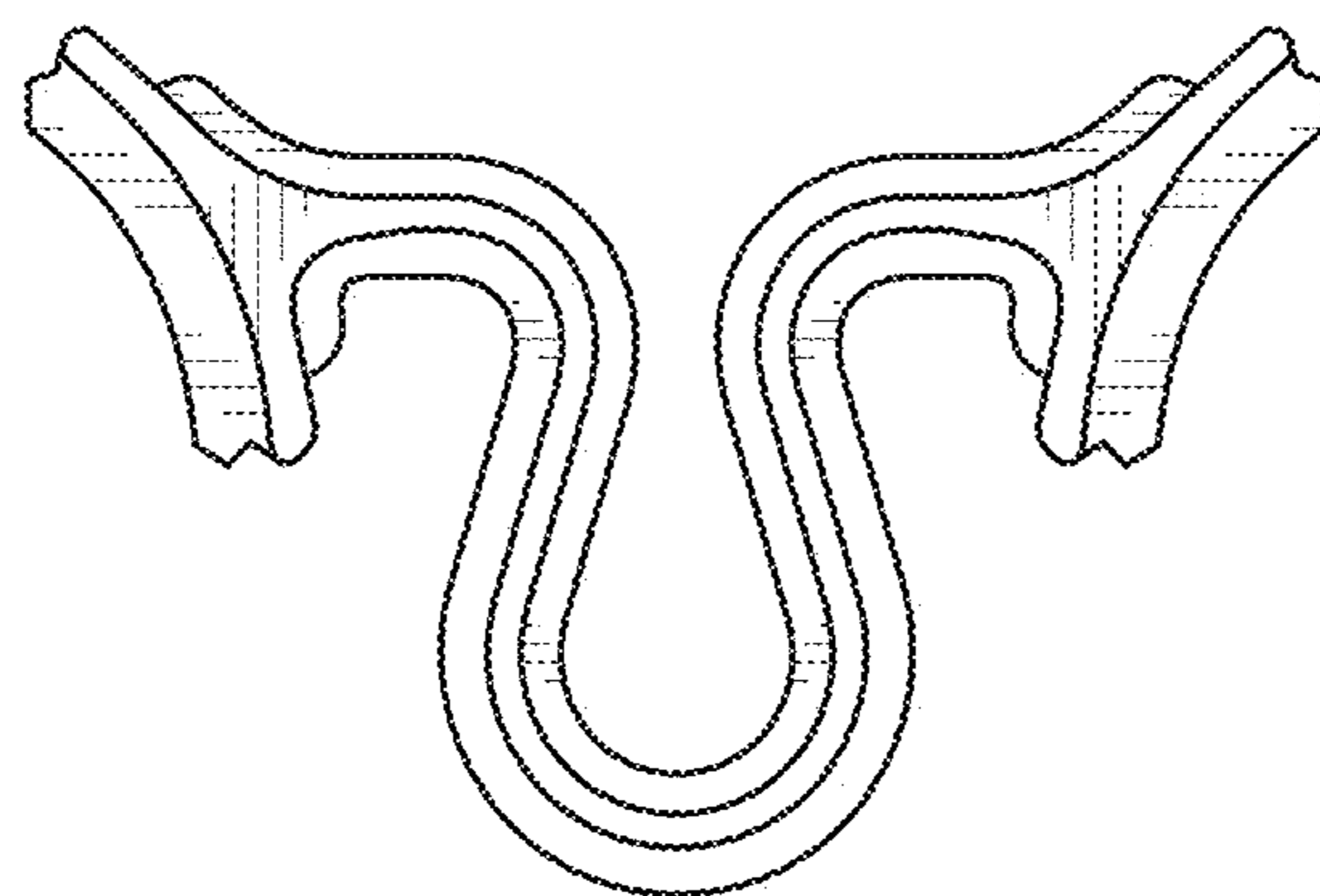


FIG. 7