



US00D972174S

(12) **United States Design Patent** (10) **Patent No.:** **US D972,174 S**
Bentivengo (45) **Date of Patent:** **** Dec. 6, 2022**

(54) **SUPPORT POST COLLAR**
(71) Applicant: **Luis Bentivengo**, Temecula, CA (US)
(72) Inventor: **Luis Bentivengo**, Temecula, CA (US)
(**) Term: **15 Years**
(21) Appl. No.: **29/769,905**
(22) Filed: **Feb. 8, 2021**
(51) **LOC (13) Cl.** **25-01**
(52) **U.S. Cl.**
USPC **D25/133**
(58) **Field of Classification Search**
USPC D25/125, 126, 127, 128, 129, 130, 131,
D25/132, 133, 134, 135, 136, 60, 61, 119,
D25/121, 124, 138, 164; D8/363, 364,
D8/381
CPC E04C 2003/0482; E04C 2003/0434; E04C
2003/043; E04C 2003/0465; E04C 3/30;
E04H 17/1413; E04H 17/063; E04H
14/16; E04H 17/20; E04H 12/2261; E04B
2/7881; Y10S 256/05; A47B 96/07; E04F
11/1812; E04G 21/3223
See application file for complete search history.

(56) **References Cited**
U.S. PATENT DOCUMENTS
D470,601 S * 2/2003 Kohlberger D25/133
D513,536 S * 1/2006 Walker D25/133

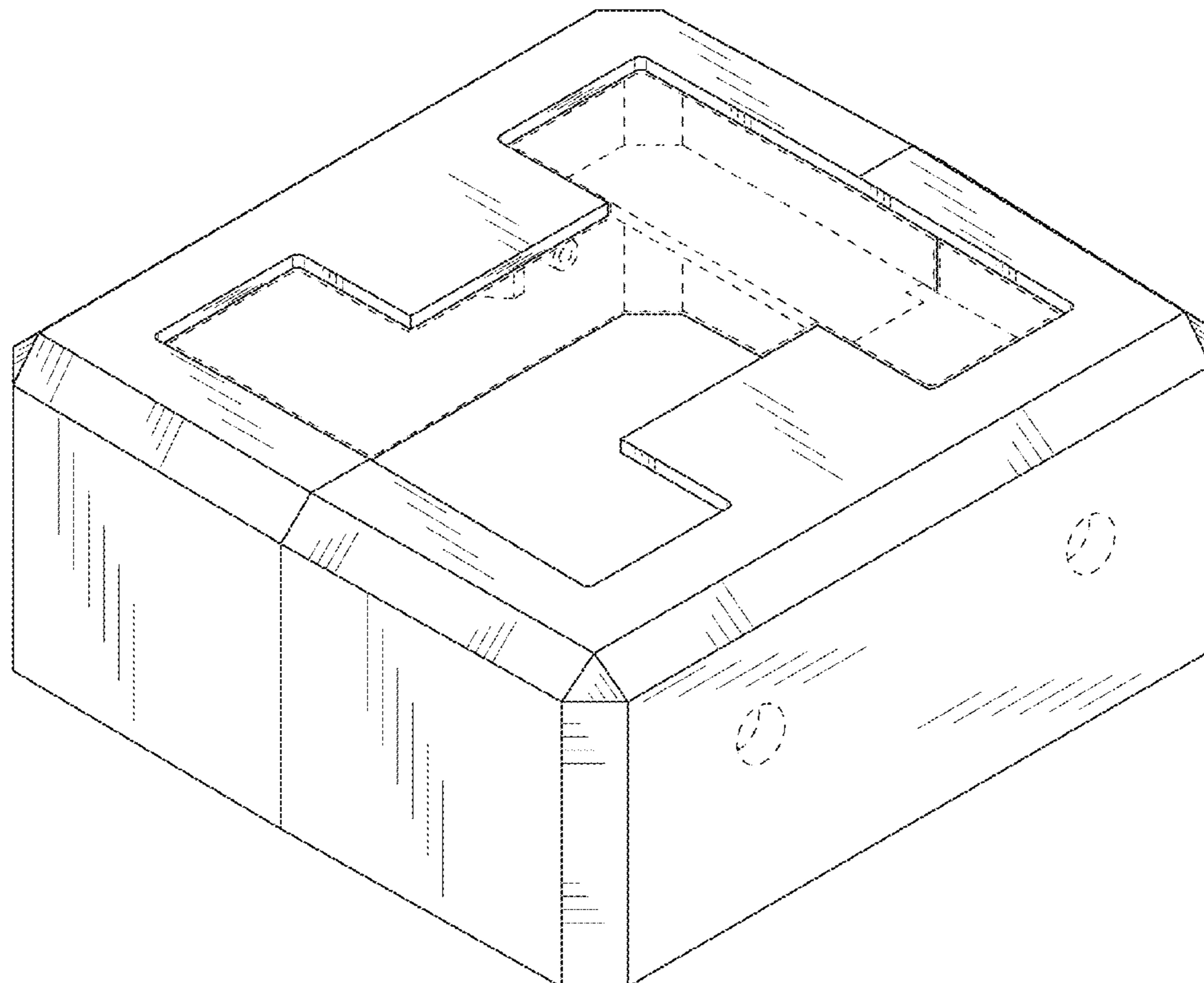
D530,834 S * 10/2006 Navare D25/133
D531,325 S * 10/2006 Navare D25/133
D739,563 S * 9/2015 Whiteley D25/133
D752,775 S * 3/2016 Stacey D25/133
D767,167 S * 9/2016 Masuda D25/133
D782,708 S * 3/2017 Key D25/133
D790,082 S * 6/2017 Guinn D25/133
D856,537 S * 8/2019 Crawley D25/131
D908,248 S * 1/2021 Crawley D25/133
11,208,774 B2 * 12/2021 Crawley E01F 13/028

* cited by examiner
Primary Examiner — Samantha Q Lawrence
(74) *Attorney, Agent, or Firm* — Donn K. Harms

(57) **CLAIM**
The ornamental design for a support post collar, as shown and described.

DESCRIPTION
FIG. 1 is a top front perspective view of a support post collar showing my new design;
FIG. 2 is a view thereof in a separated configuration;
FIG. 3 is a top view thereof;
FIG. 4 is a bottom view thereof;
FIG. 5 is a front side view thereof, the rear side view being a mirror image of the front side view; and,
FIG. 6 is a right side view thereof, the left side being a mirror image of the right side.
The broken lines illustrate portions of the support post collar which form no part of the claimed design.

1 Claim, 5 Drawing Sheets



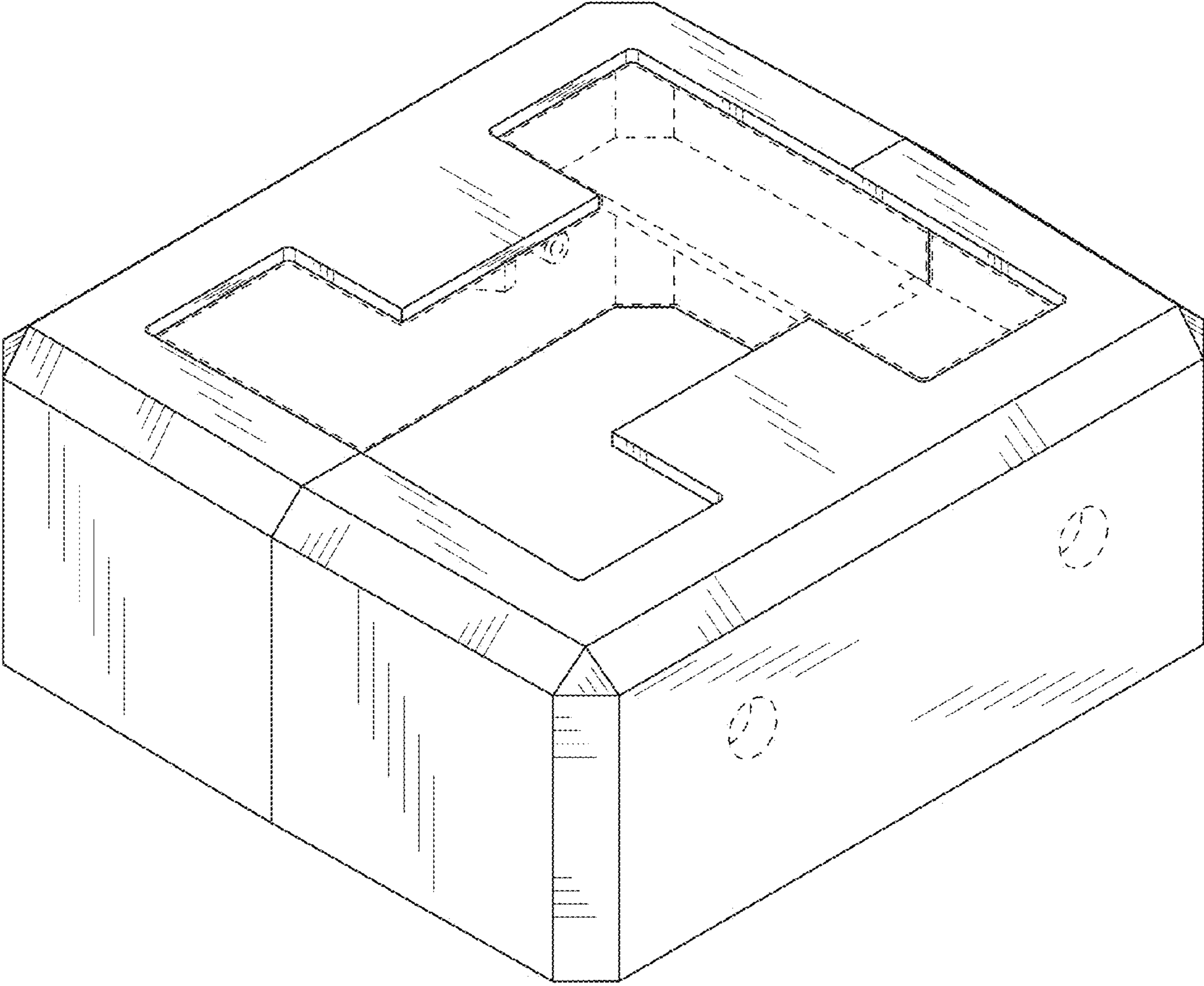


FIG. 1

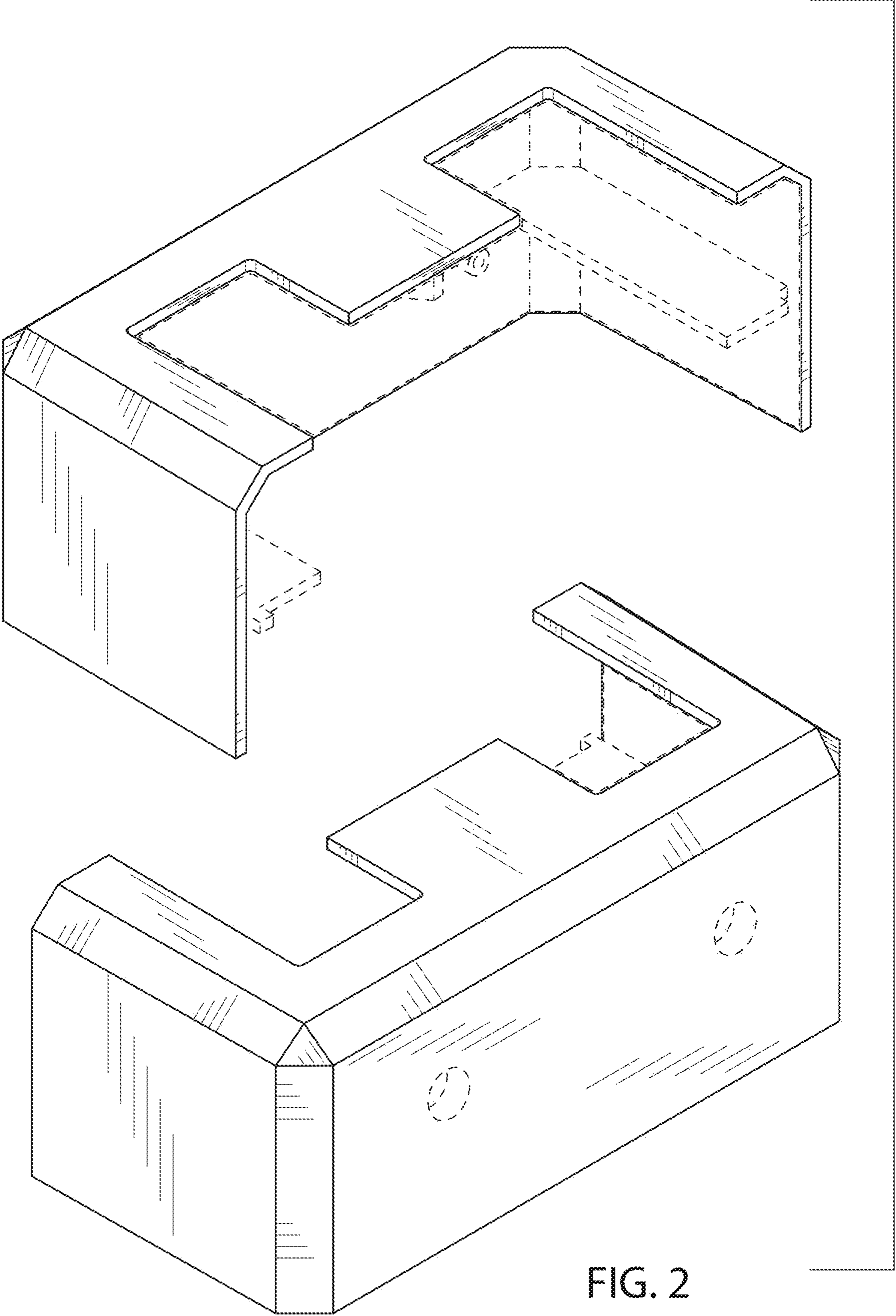


FIG. 2

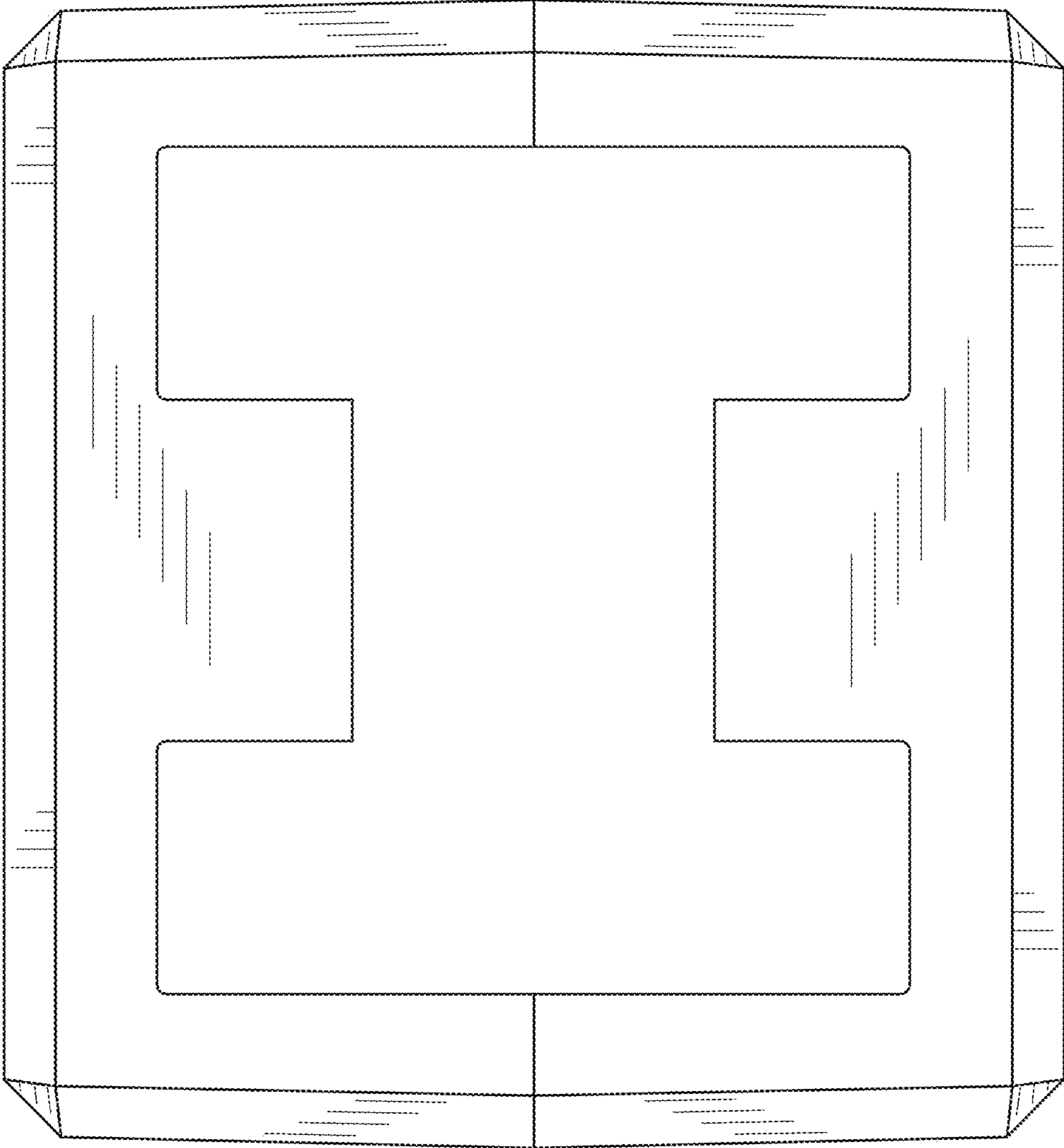


FIG. 3

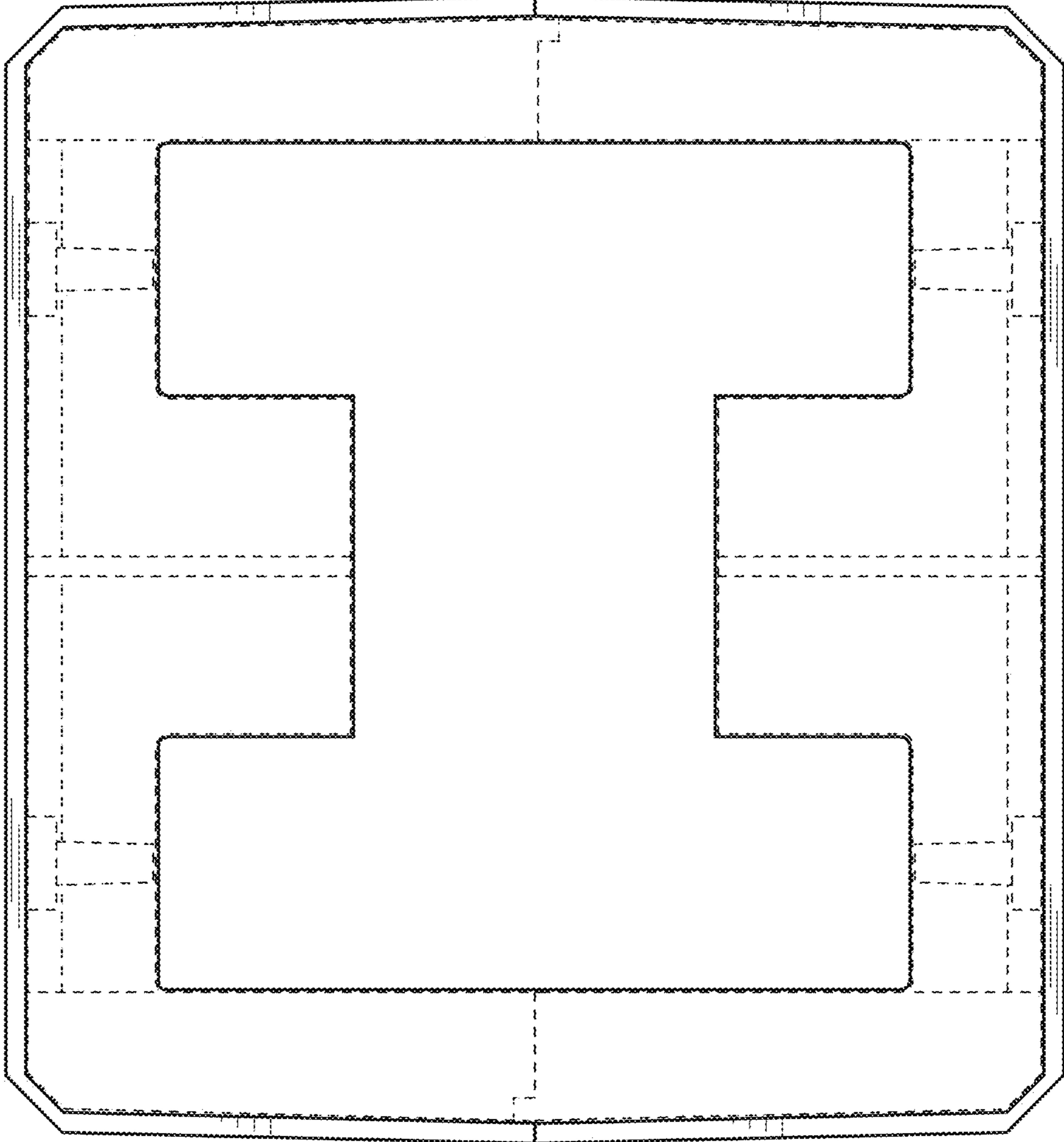


FIG. 4

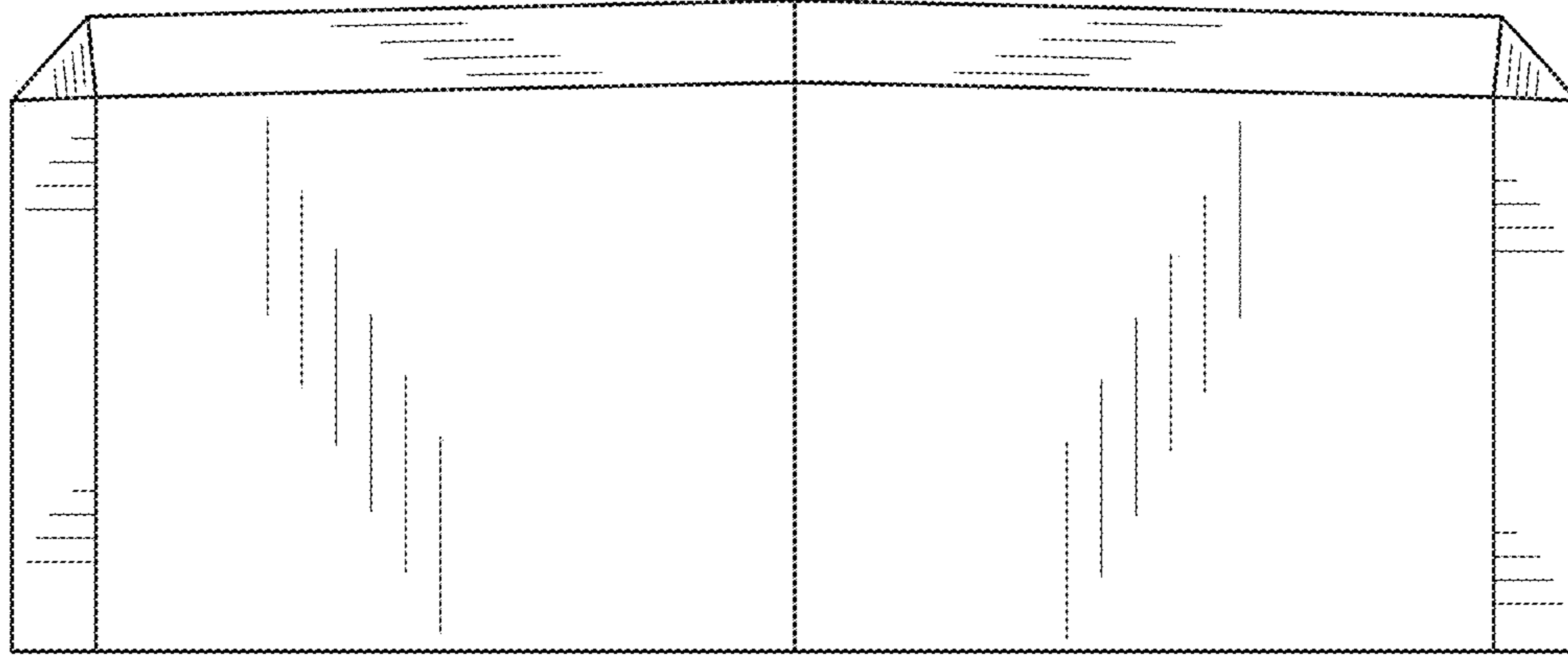


FIG. 5

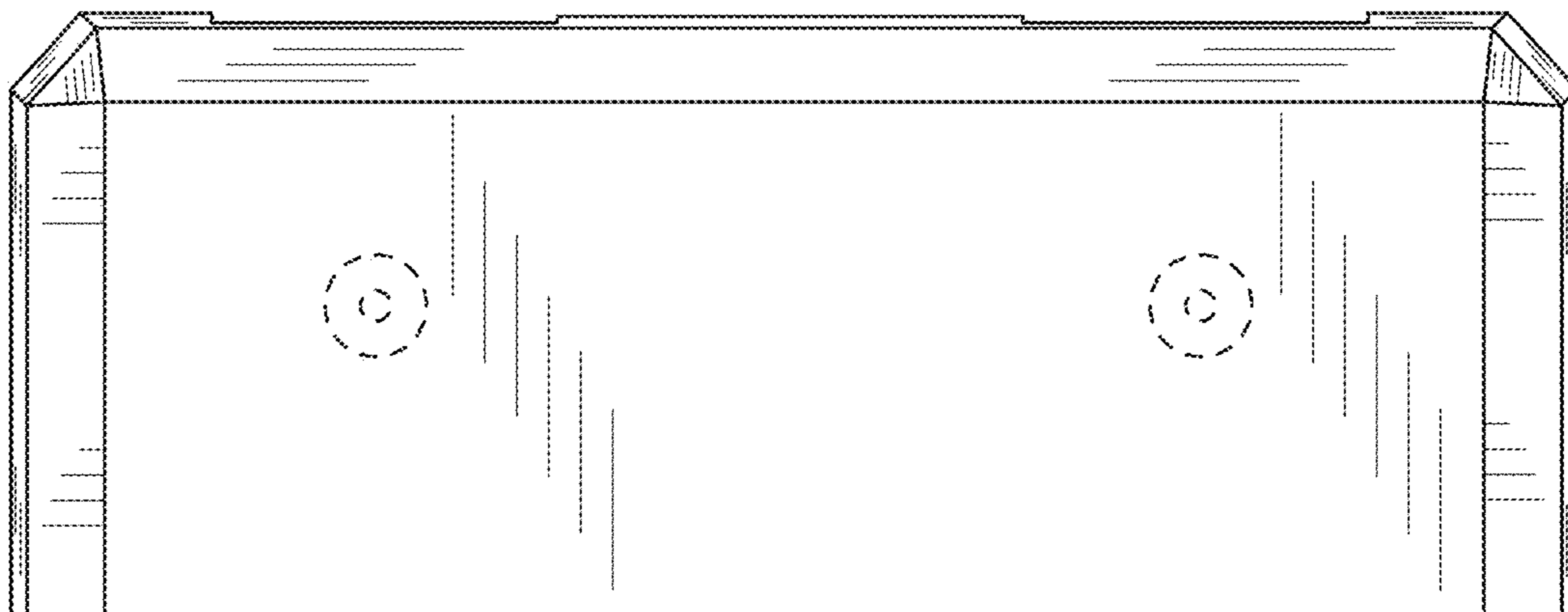


FIG. 6