



US00D972173S

(12) **United States Design Patent** (10) **Patent No.:** **US D972,173 S**
Nelson et al. (45) **Date of Patent:** **** Dec. 6, 2022**

(54) **JOINT**

- (71) Applicant: **Adjustajoints, LLC**, Overland Park, KS (US)
- (72) Inventors: **Shane Nelson**, Overland Park, KS (US); **Gary Nielsen**, Overland Park, KS (US)
- (73) Assignee: **Adjustajoints, LLC**, Overland Park, KS (US)
- (**) Term: **15 Years**
- (21) Appl. No.: **29/735,059**
- (22) Filed: **May 18, 2020**

Related U.S. Application Data

- (63) Continuation of application No. 15/075,365, filed on Mar. 21, 2016, now Pat. No. 10,653,107.
- (51) **LOC (13) Cl.** **25-01**
- (52) **U.S. Cl.**
USPC **D25/133**
- (58) **Field of Classification Search**
USPC D25/1, 2, 3, 4, 5, 6, 7, 8, 9, 10, 11, 12, D25/13, 14, 15, 16, 17, 18, 19, 20, 21, D25/22, 23, 24, 25, 26, 27, 28, 29, 30, D25/31, 32, 33, 34, 35, 55, 56, 57, 58, D25/59, 60, 61, 119, 120, 121, 122, 123, D25/124, 125, 126, 127, 128, 129, 130, D25/131, 132, 133, 134, 135
CPC ... E04B 2/96; E04B 9/32; E04H 1/125; E04H 1/12; E04H 1/1244; E04H 1/0006; E06B 1/325; E06B 1/38; F16M 1/00; A47F 9/00; A47F 10/00; A47F 11/00; F21V 13/02; F21V 5/04; B05B 7/0408; E04C 3/30; E04C 3/36; E04F 13/0733; E04F 13/0736; E04F 2290/044; Y10T 29/49631; Y10T

(Continued)

(56) **References Cited**

U.S. PATENT DOCUMENTS

- D495,434 S * 8/2004 Cooper D25/61
- D534,792 S * 1/2007 Cooper D8/382
- D557,129 S * 12/2007 Jones D8/382

(Continued)

Primary Examiner — Samantha Q Lawrence

(74) *Attorney, Agent, or Firm* — Polsinelli PC; Adam Rehm; Zachary Cleary

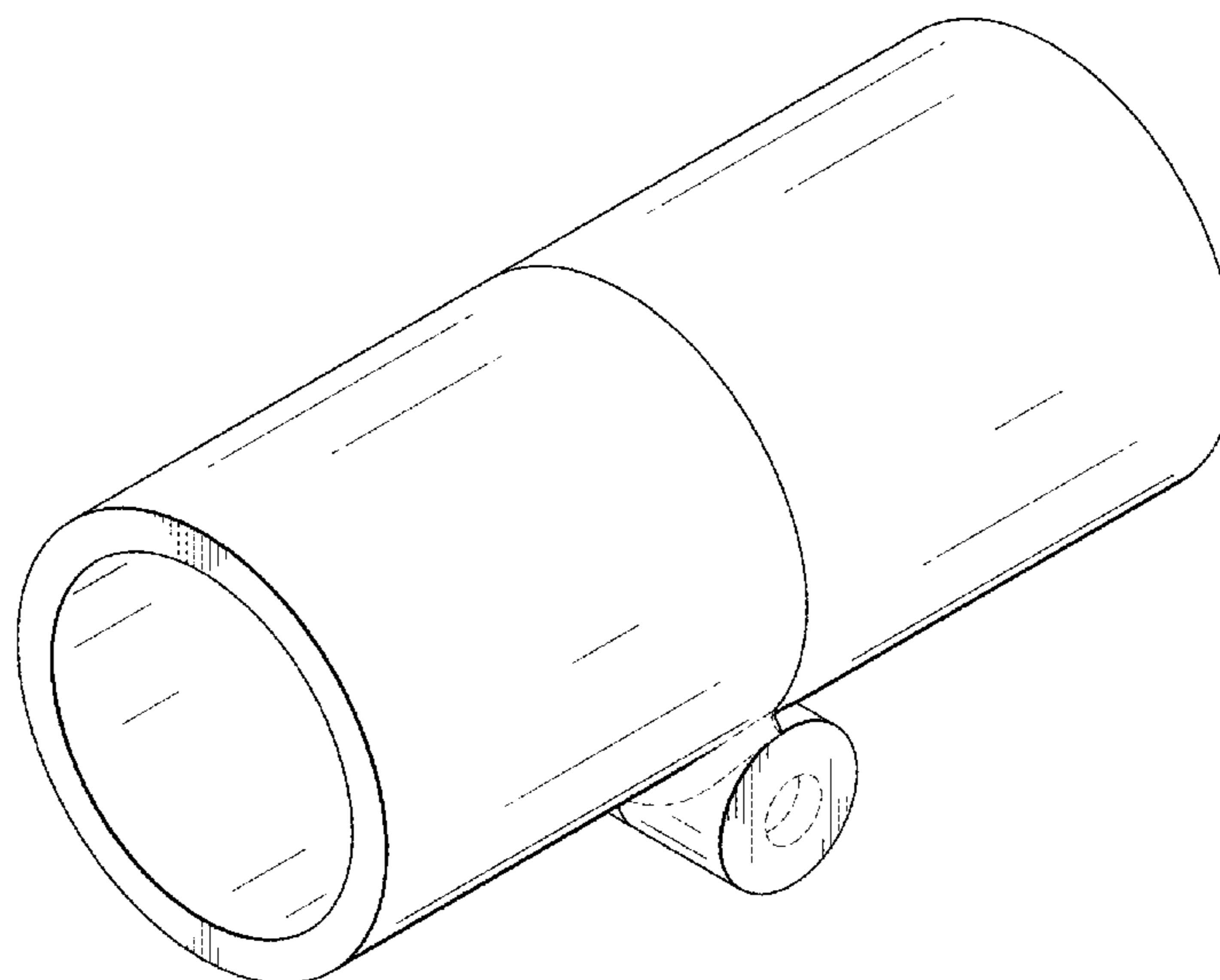
(57) **CLAIM**

The ornamental design for a joint, as shown and described.

DESCRIPTION

FIG. 1 is a front, top, right side perspective view of a joint; FIG. 2 is a front side elevation view thereof; FIG. 3 is a rear side elevation view thereof; FIG. 4 is a right side elevation view thereof; FIG. 5 is a left side elevation view thereof; FIG. 6 is a top plan view thereof; FIG. 7 is a bottom plan view thereof; FIG. 8 is a front, top, right side perspective view thereof, showing the joint in an alternate position; FIG. 9 is a front side elevation view thereof, showing the joint in the alternate position; FIG. 10 is a rear side elevation view thereof, showing the joint in the alternate position; FIG. 11 is right side elevation view thereof, showing the joint in the alternate position; FIG. 12 is a left side elevation view thereof, showing the joint in the alternate position; FIG. 13 is a top plan view thereof, showing the joint in the alternate position; and, FIG. 14 is a bottom plan view thereof, showing the joint in the alternate position. The broken lines shown on the drawings depict portions of the joint that form no part of the claimed design.

1 Claim, 8 Drawing Sheets



(58) **Field of Classification Search**

CPC 29/49826; Y10T 428/24628; Y10T
403/32418; A01K 1/0125; F16C 11/10

See application file for complete search history.

(56) **References Cited**

U.S. PATENT DOCUMENTS

D560,476 S * 1/2008 Jones D8/382
9,151,074 B2 * 10/2015 Walters A01K 3/00
D815,160 S * 4/2018 Neubauer D15/126
D815,300 S * 4/2018 Lin A63C 19/02
D8/382
D834,218 S * 11/2018 Dai D25/133
10,653,108 B2 * 5/2020 Nelson F16C 11/10
D895,706 S * 9/2020 Johansen D15/199
D930,802 S * 9/2021 Huang D23/363
2011/0232411 A1 * 9/2011 Long B25J 17/0258
74/490.05
2017/0265426 A1 * 9/2017 Nelson A01K 1/0125

* cited by examiner

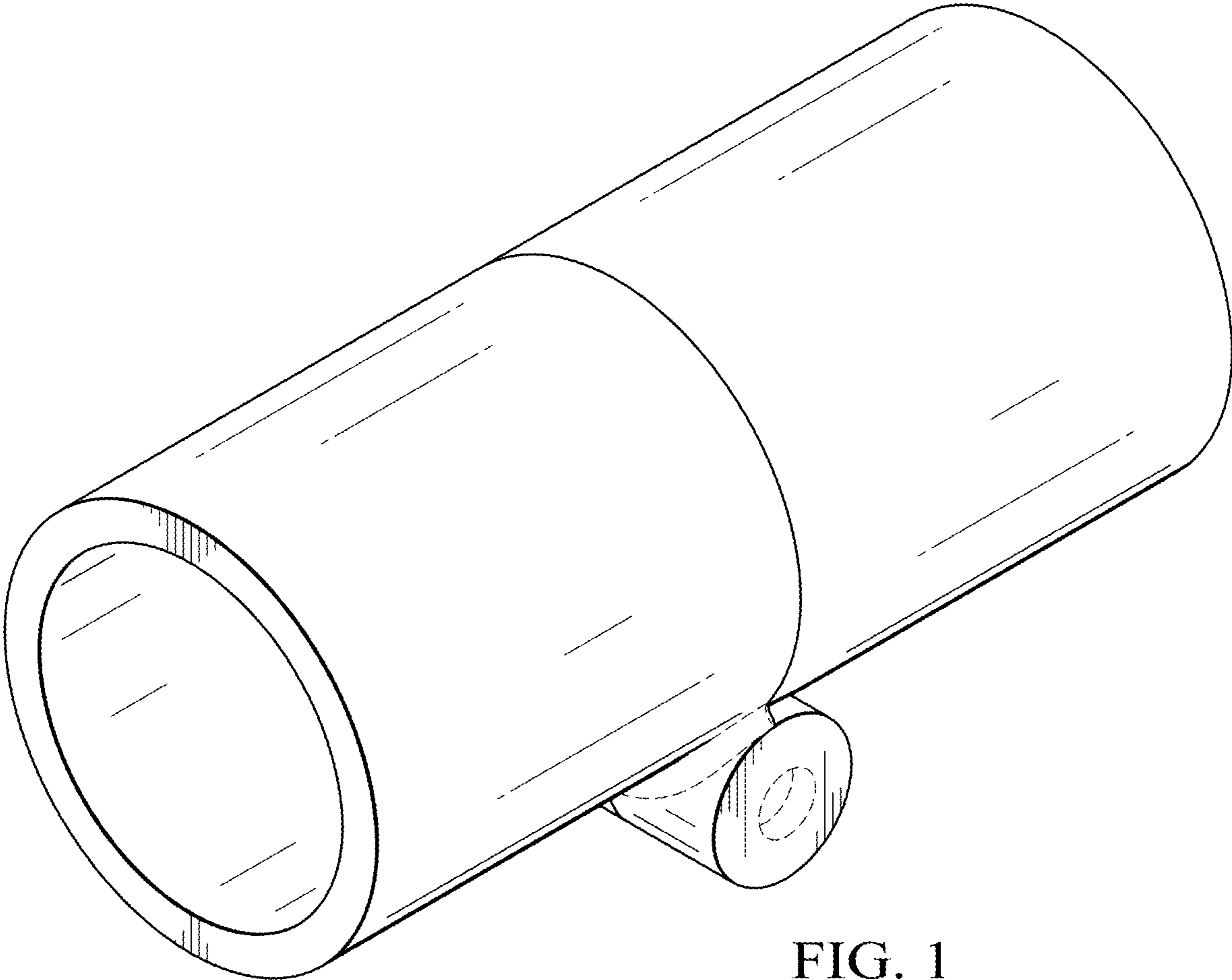


FIG. 1

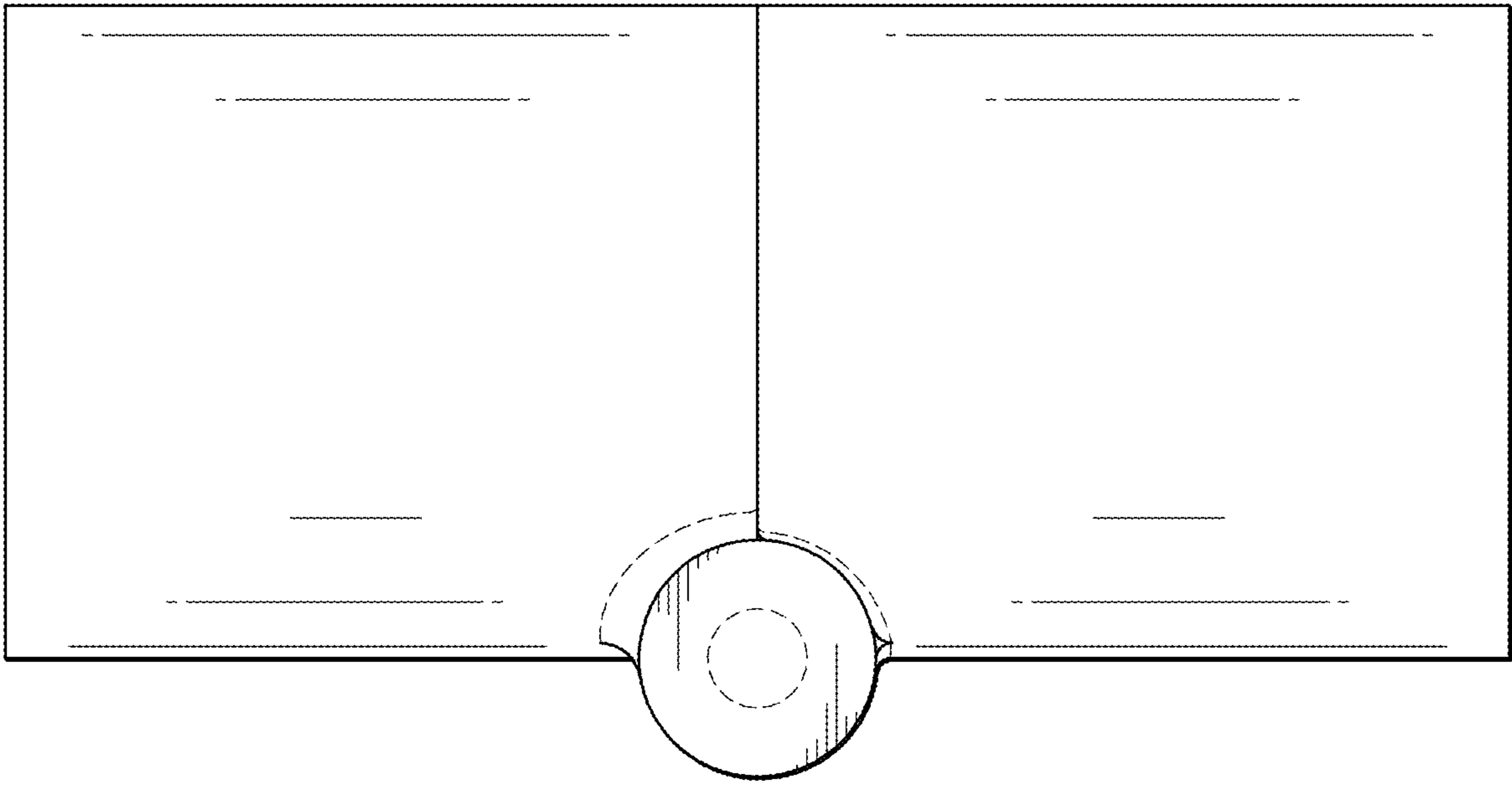


FIG. 2

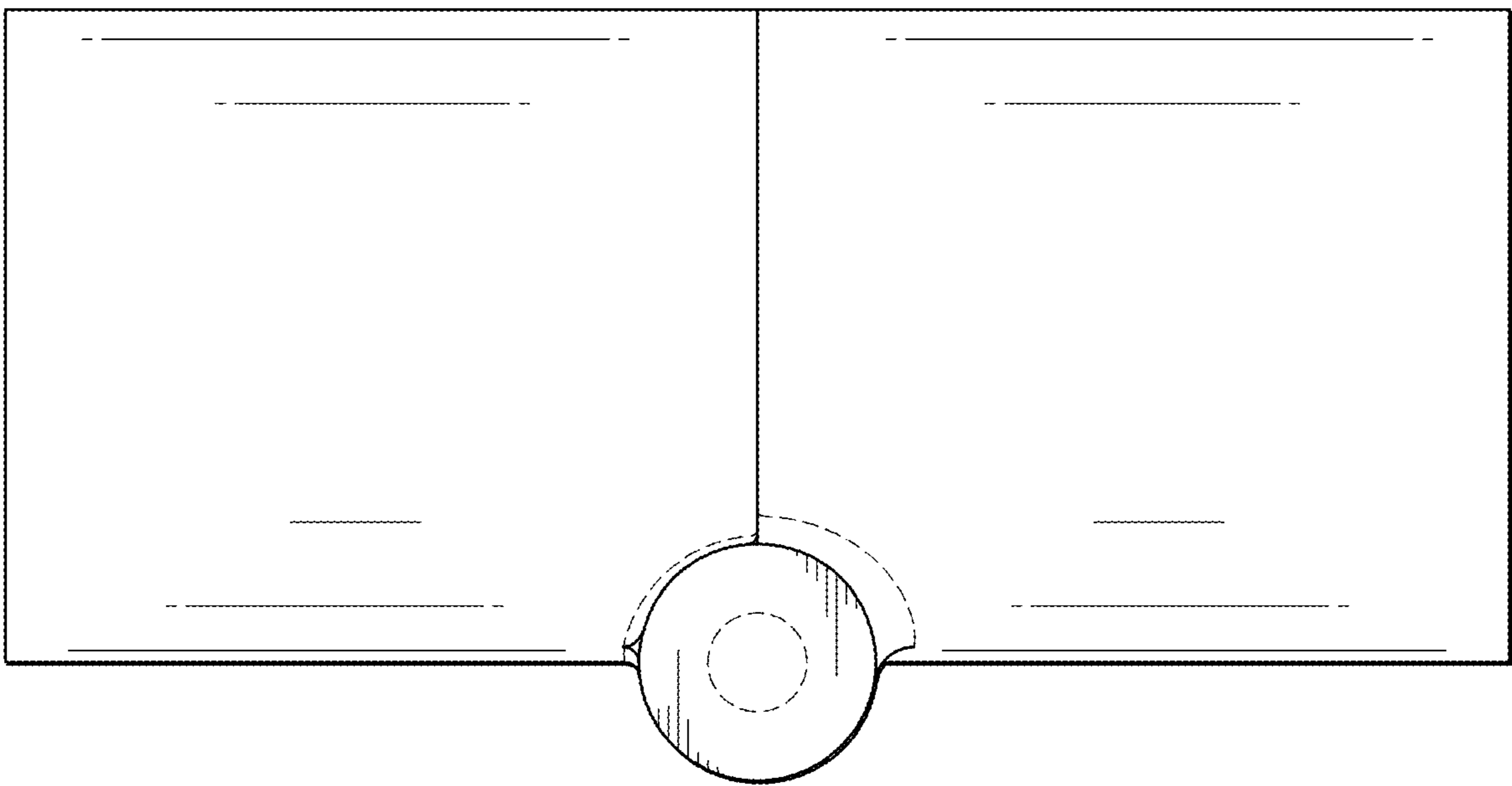


FIG. 3

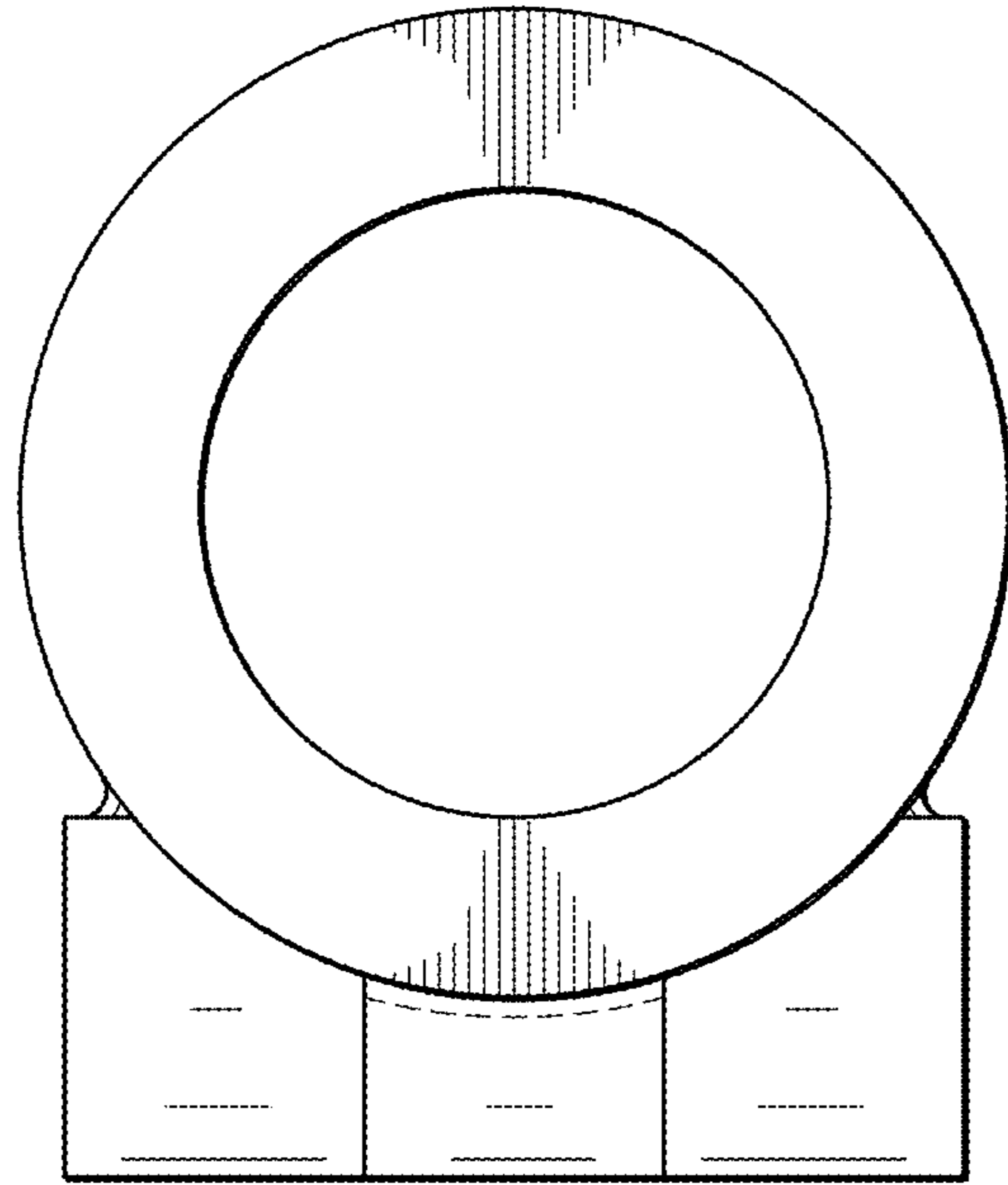


FIG. 4

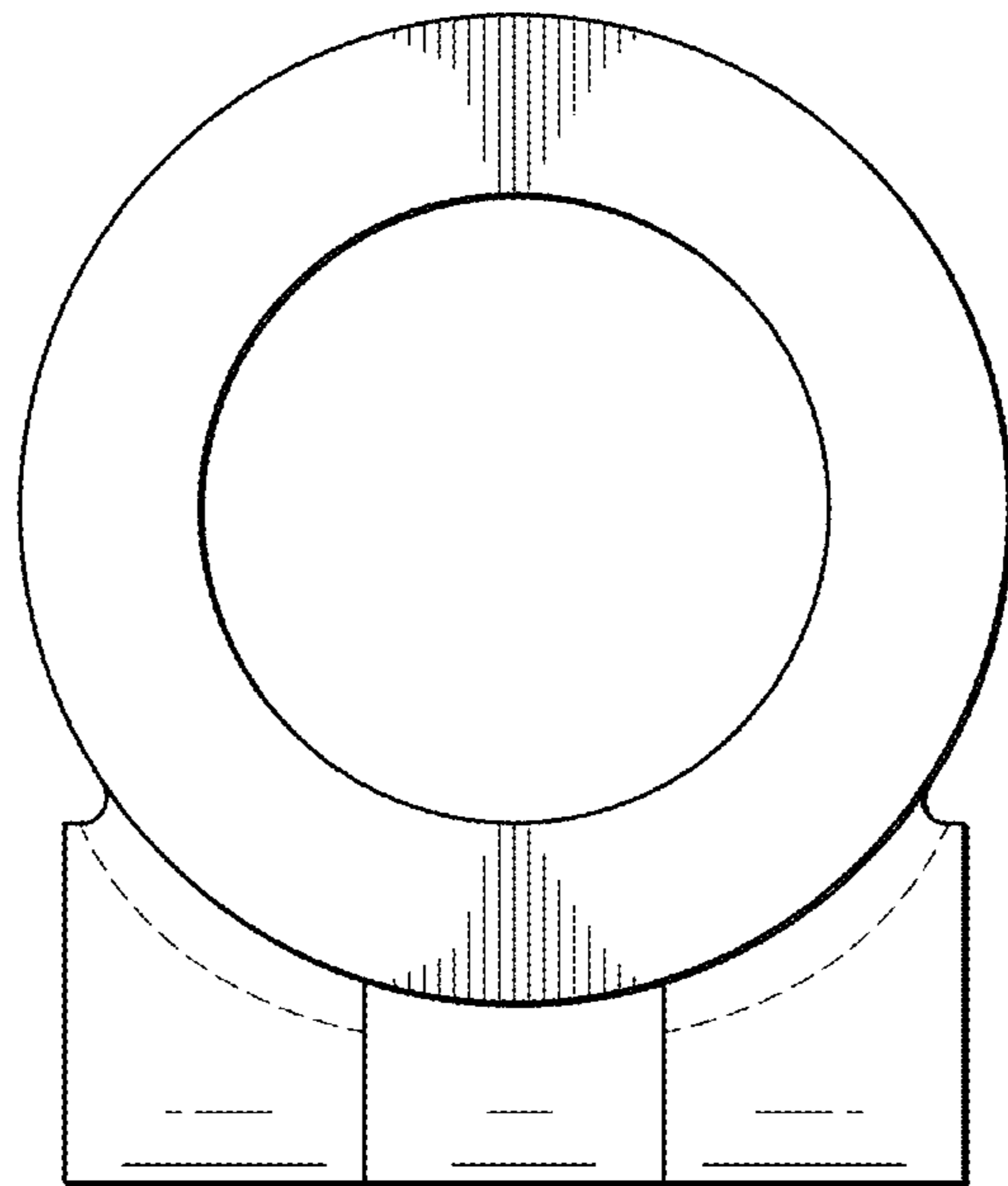


FIG. 5

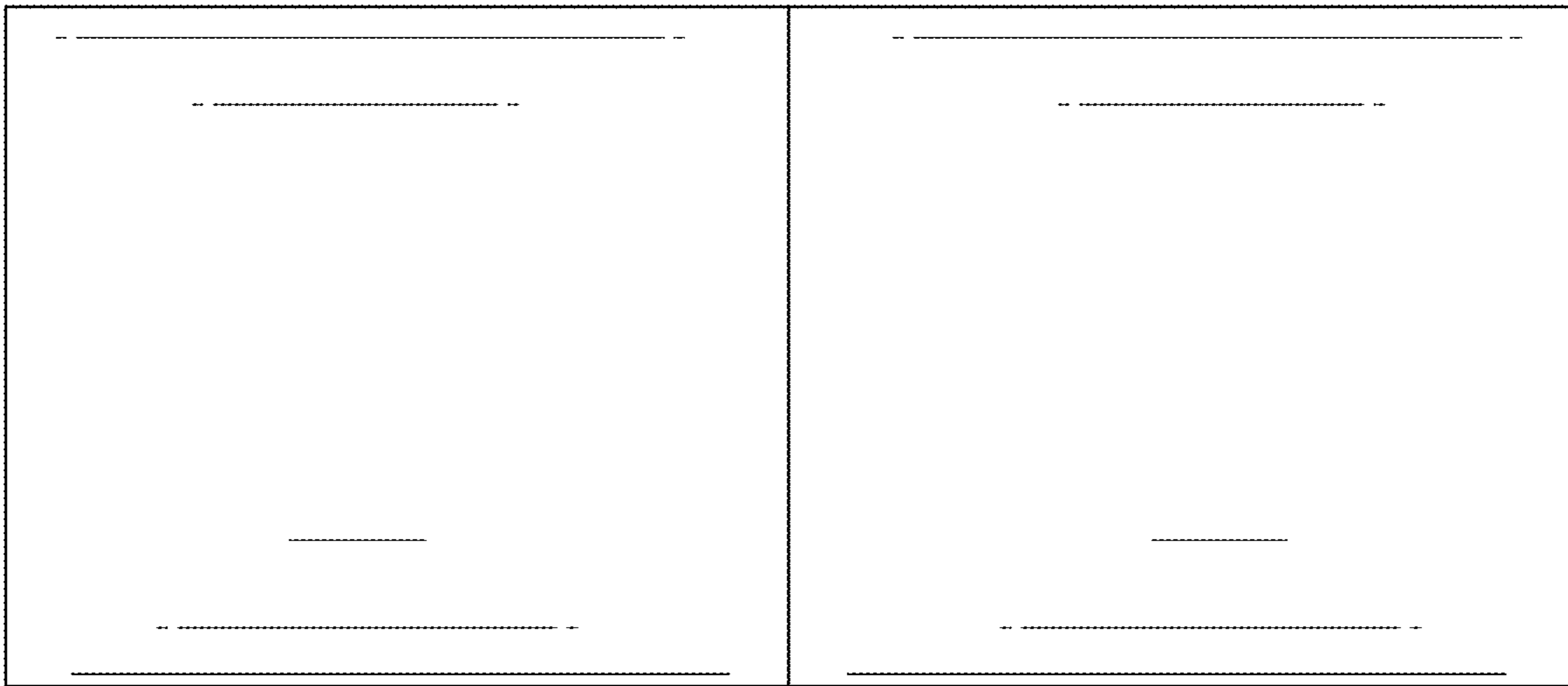


FIG. 6

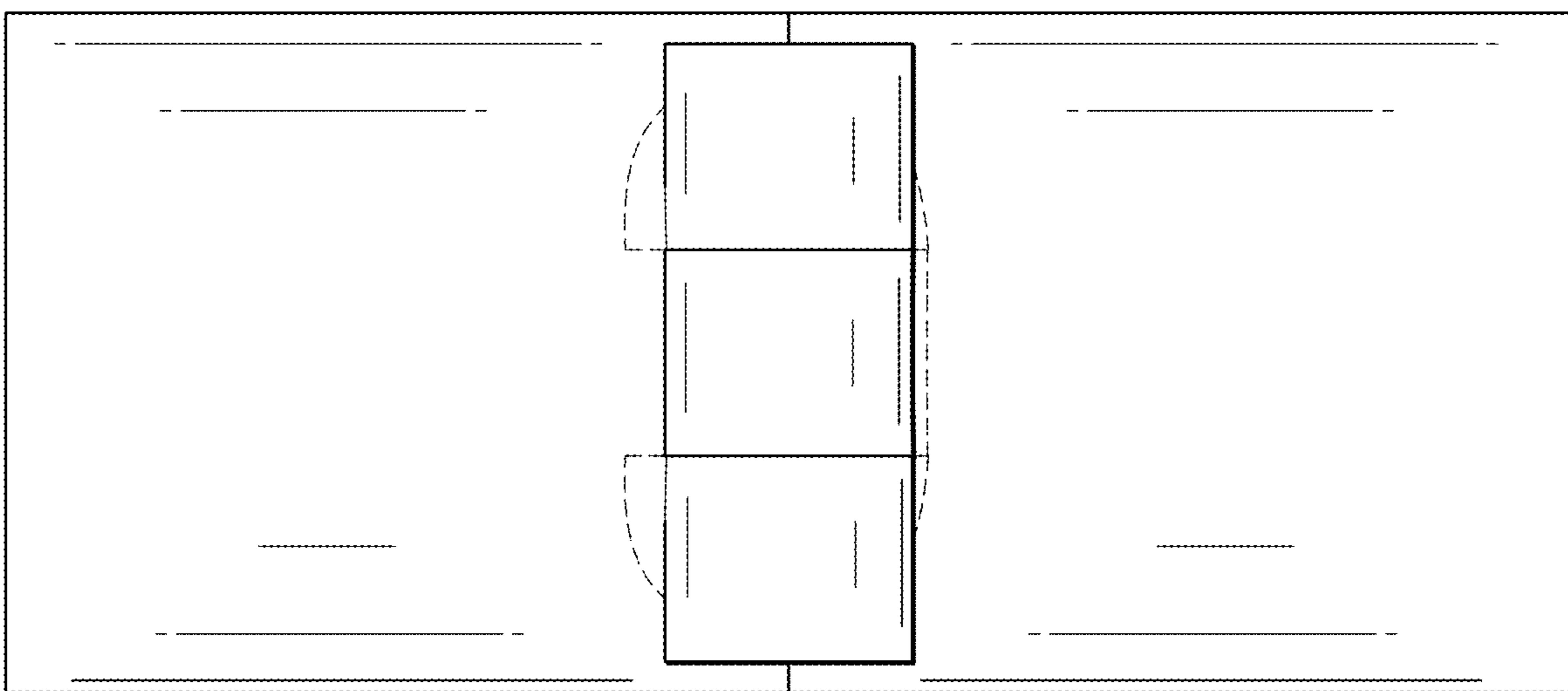


FIG. 7

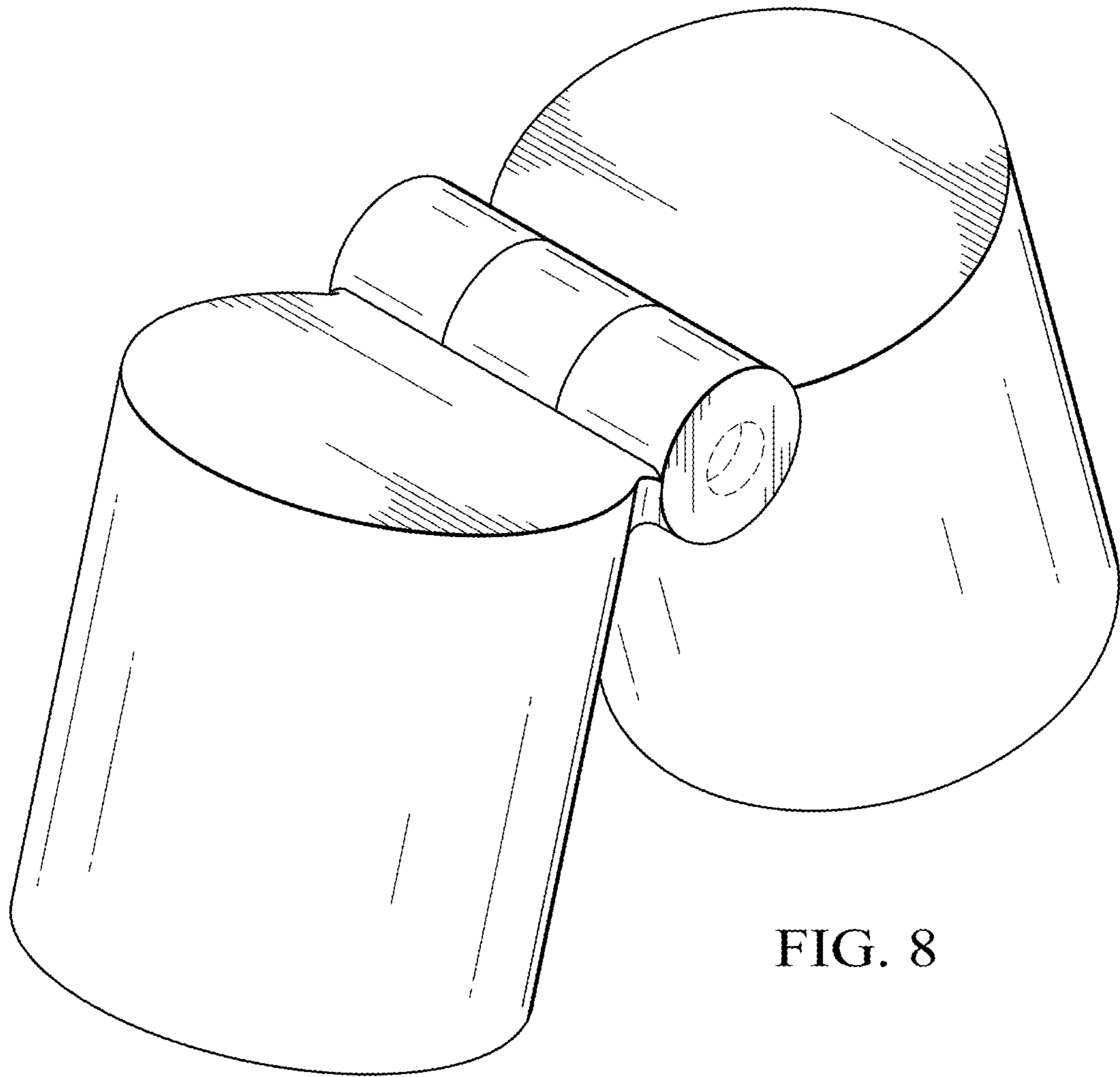


FIG. 8

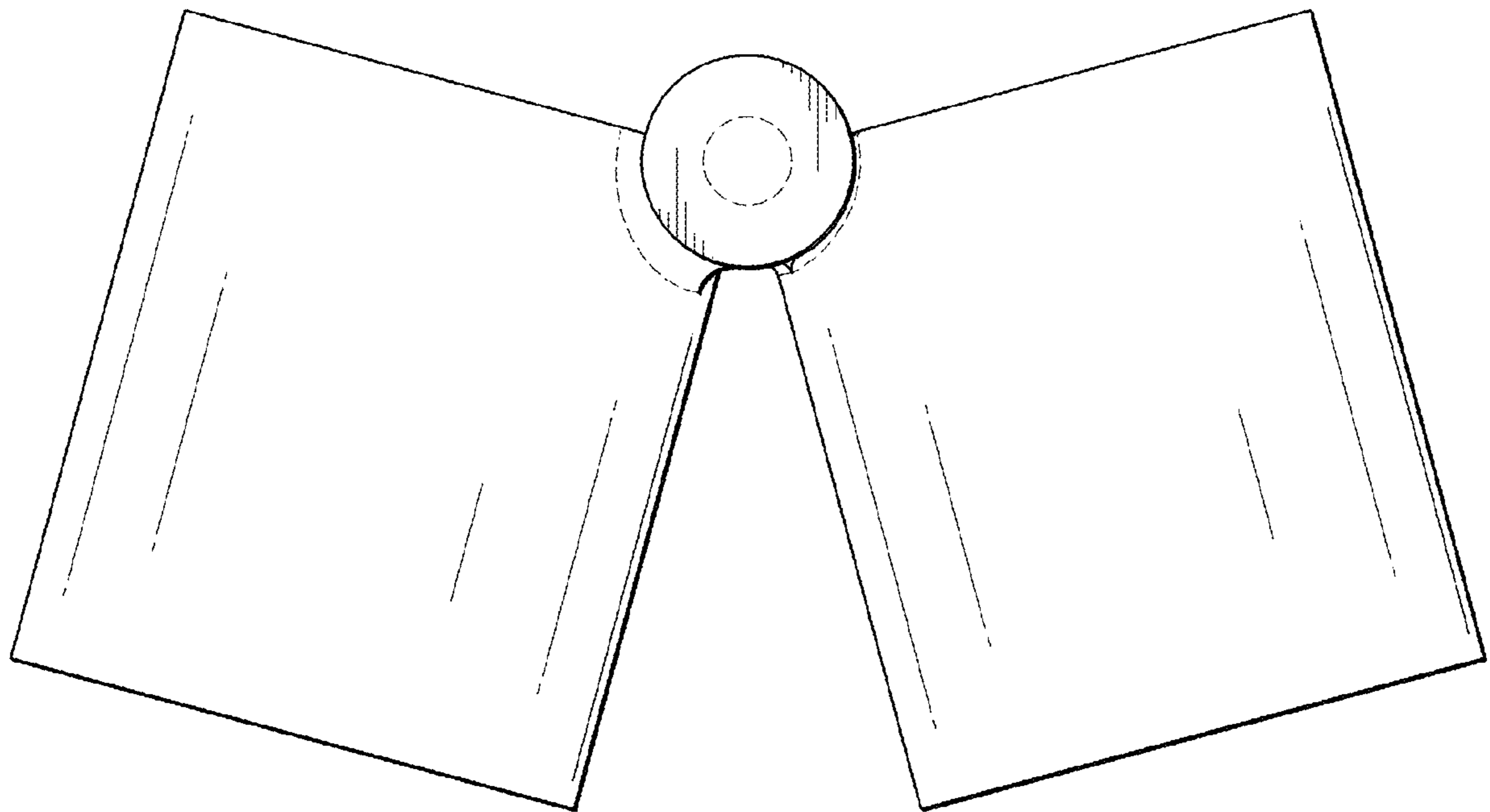


FIG. 9

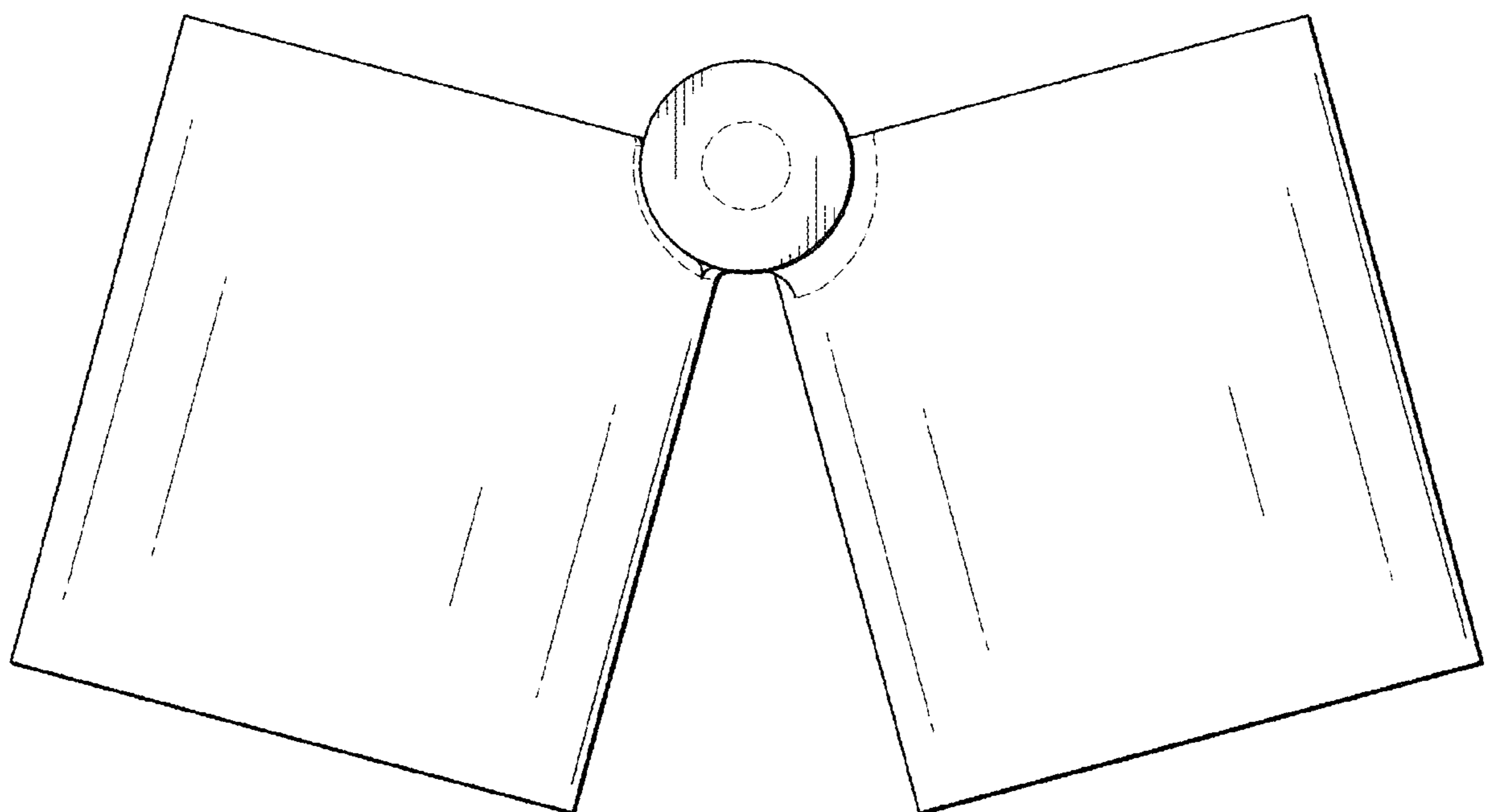


FIG. 10

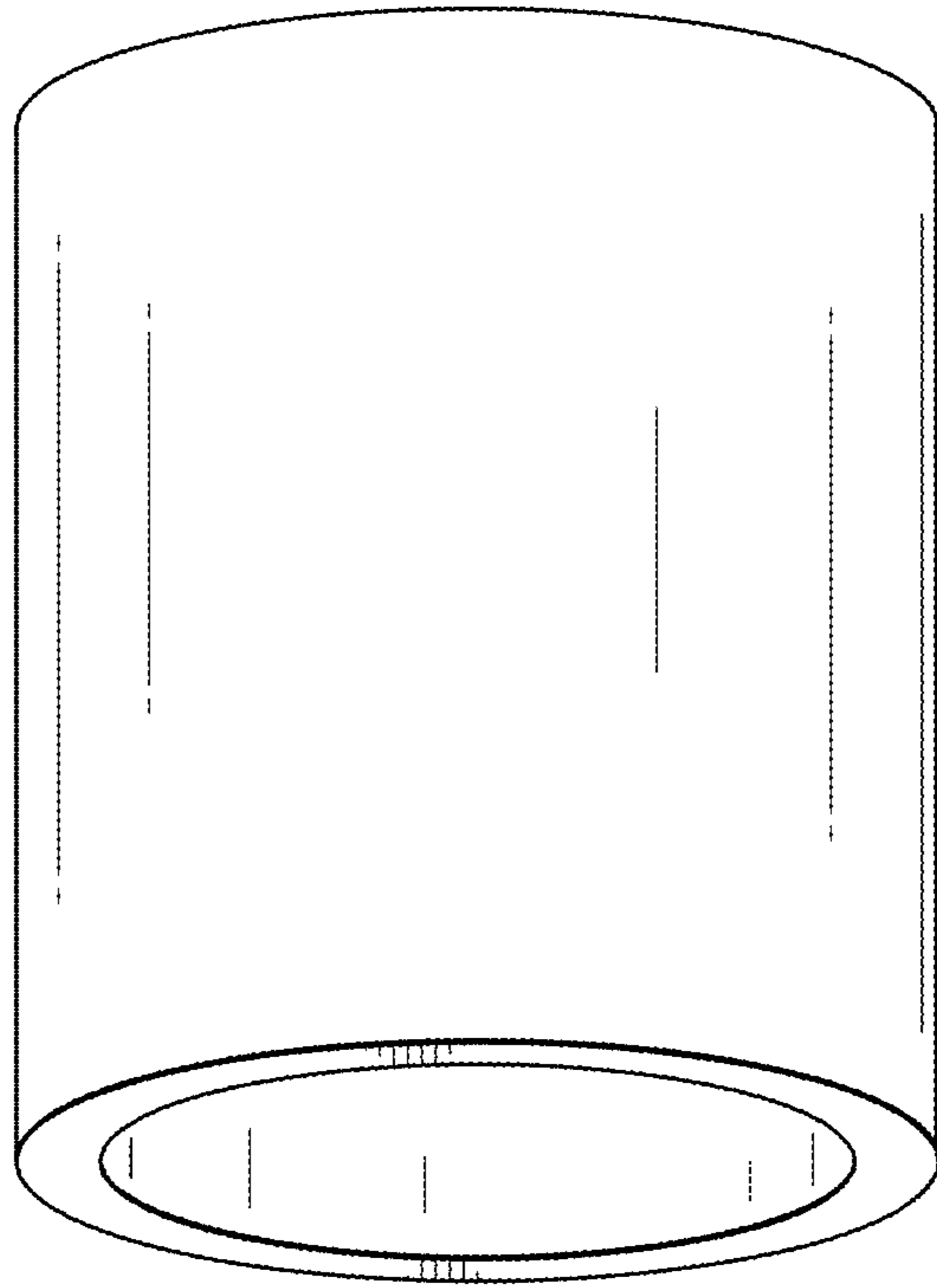


FIG. 11

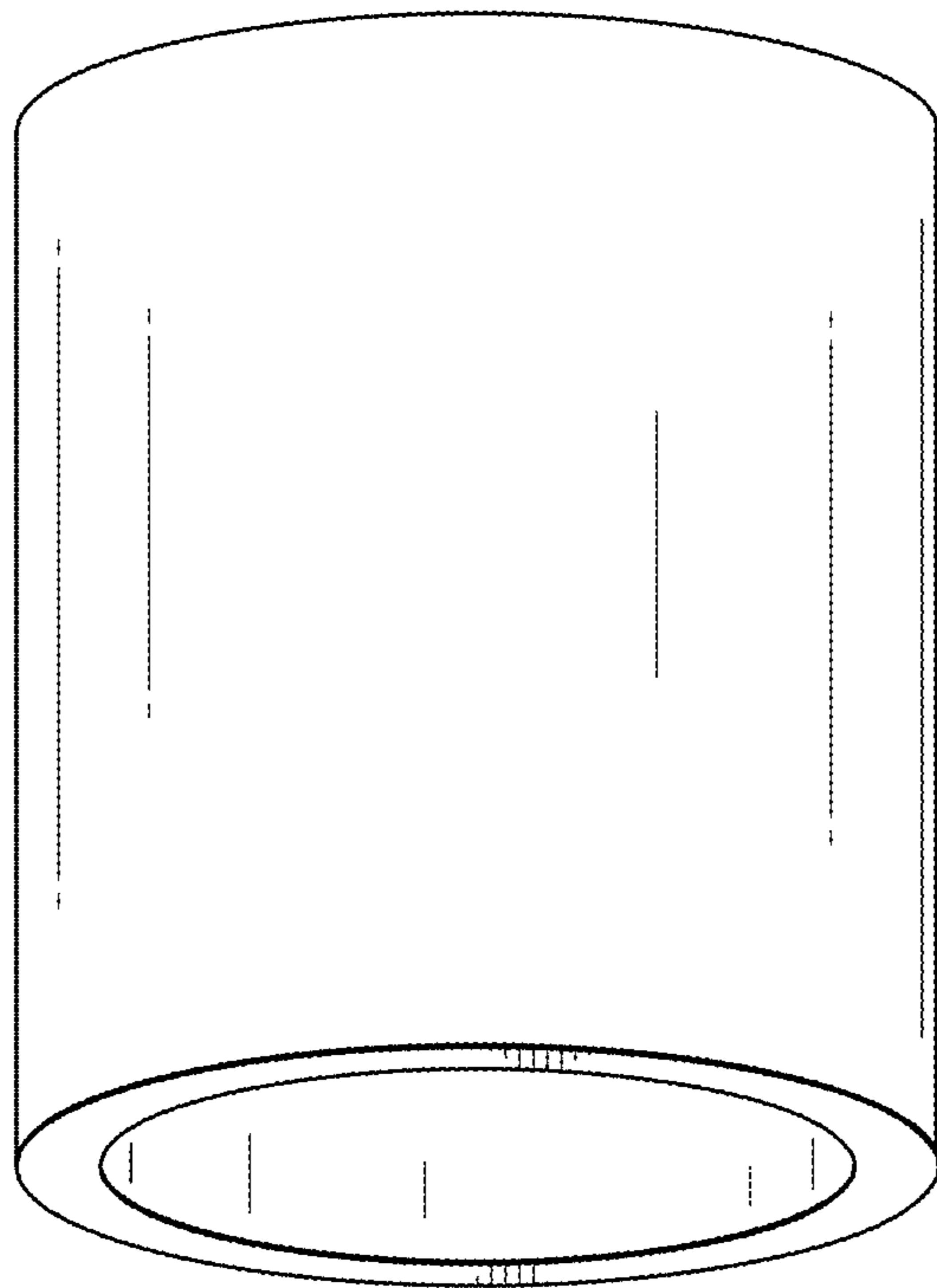


FIG. 12

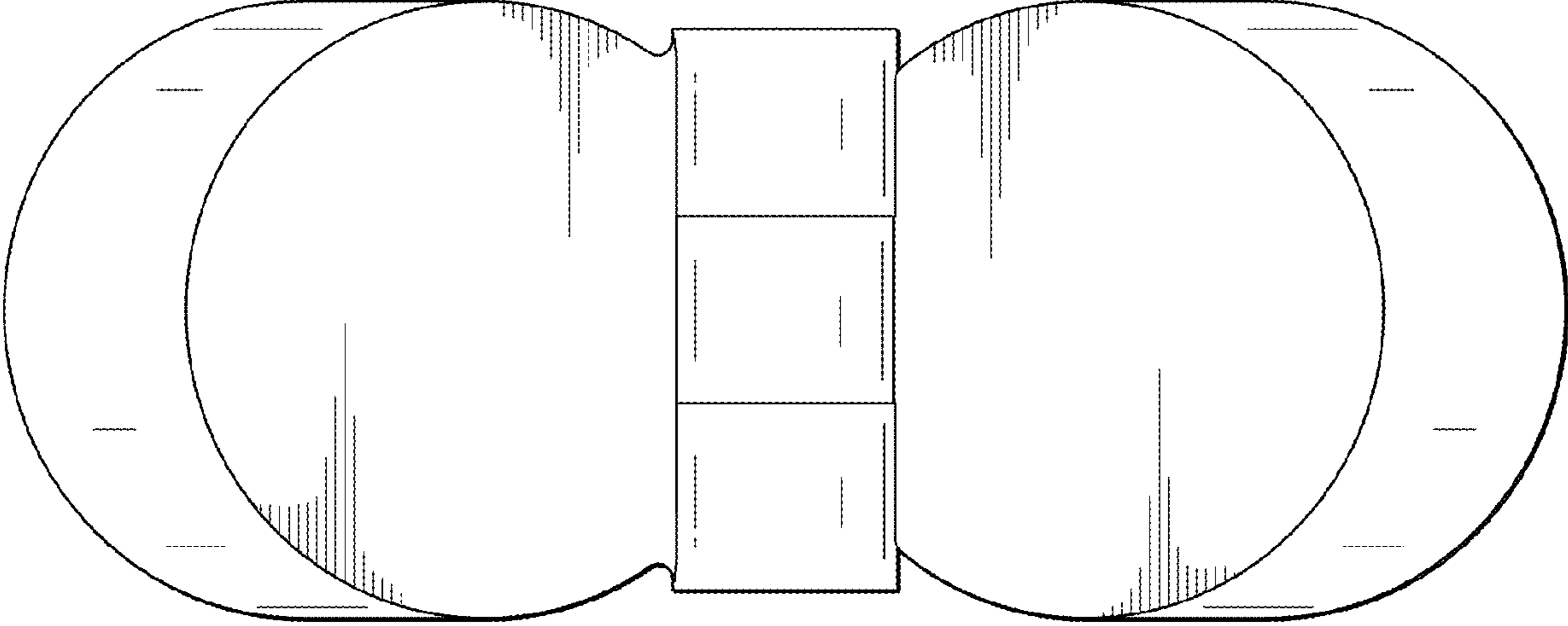


FIG. 13

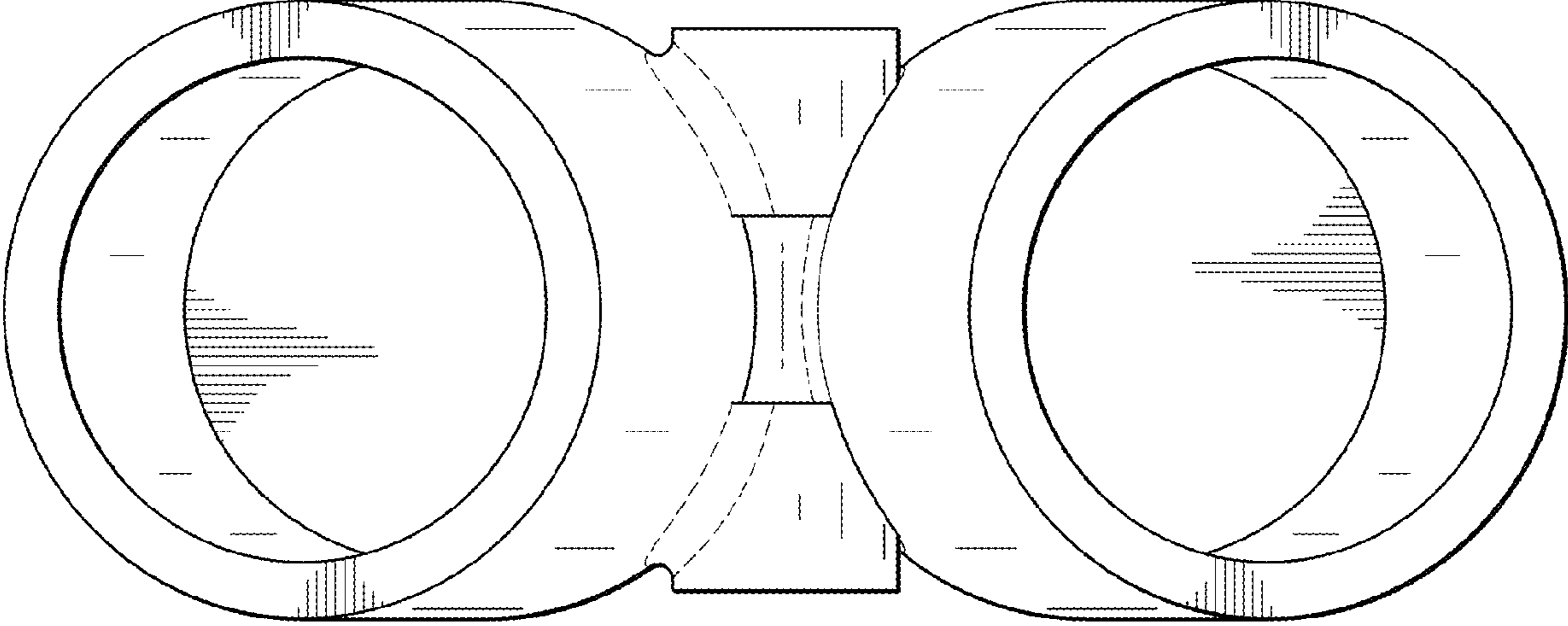


FIG. 14