

US00D972170S

(12) **United States Design Patent**  
**Tan**

(10) **Patent No.:** **US D972,170 S**

(45) **Date of Patent:** **\*\* Dec. 6, 2022**

(54) **STEP STOOL**

D820,472 S \* 6/2018 Memran ..... A47D 13/00  
D25/64

(71) Applicant: **WENZHOU LISHENG IMPORT  
AND EXPORT CO., LTD.**, Zhejiang  
(CN)

D935,208 S \* 11/2021 Meng ..... A47D 13/00  
D6/350  
2006/0070801 A1\* 4/2006 Parker ..... A47C 12/00  
182/33

(72) Inventor: **Tao Tan**, Zhejiang (CN)

\* cited by examiner

(\*\*) Term: **15 Years**

*Primary Examiner* — Gino Colan

(21) Appl. No.: **29/832,953**

(57) **CLAIM**

The ornamental design for a step stool, as shown and described.

(22) Filed: **Mar. 31, 2022**

**DESCRIPTION**

(51) **LOC (13) Cl.** ..... **25-04**

(52) **U.S. Cl.**  
USPC ..... **D25/65**

(58) **Field of Classification Search**  
USPC ..... D25/62-65, 69  
CPC ..... E06C 1/393; E06C 1/387; E06C 1/383;  
E06C 7/00; A47D 13/00  
See application file for complete search history.

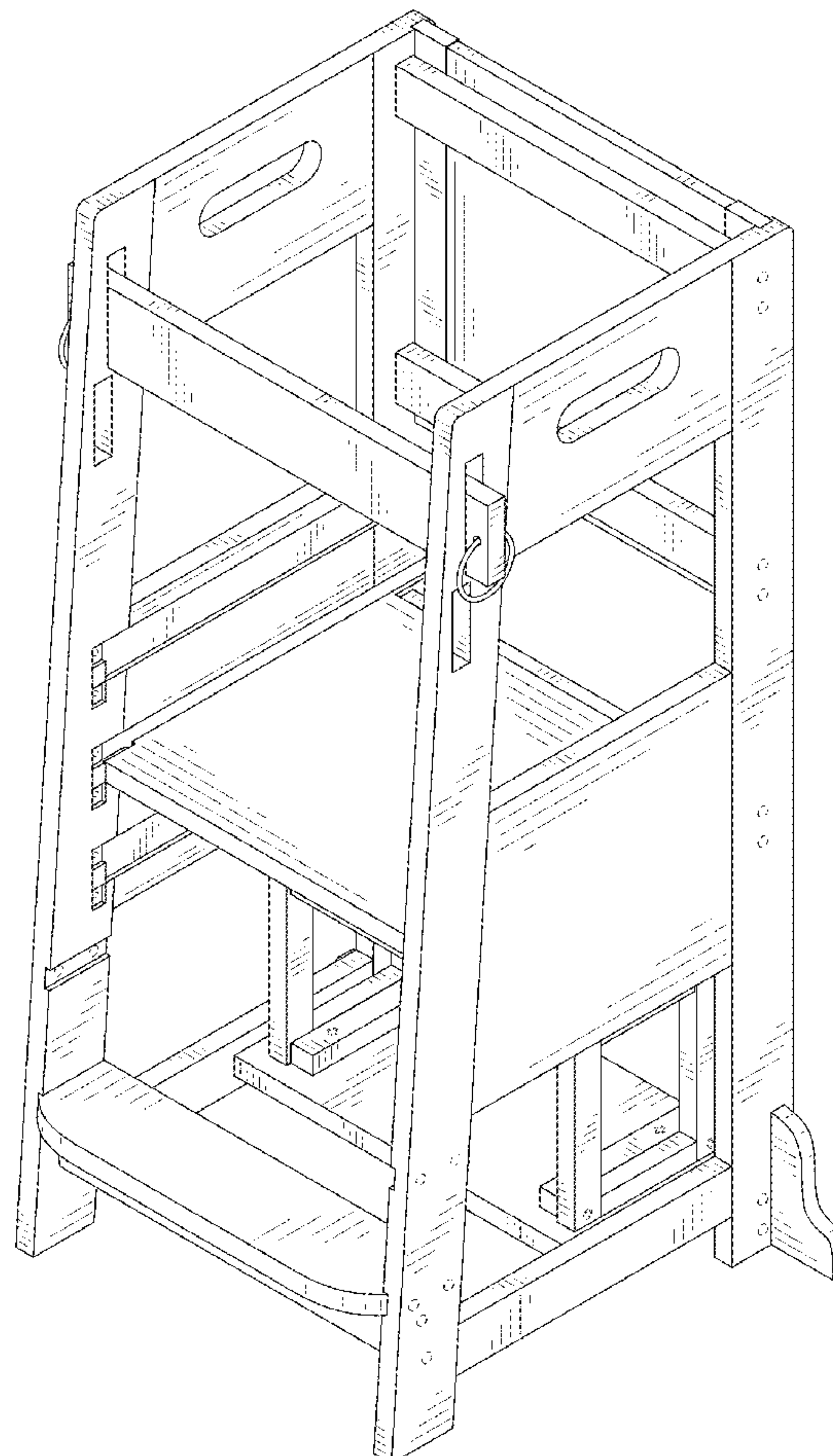
FIG. 1 is a front and top perspective view of a step stool, showing my new design;  
FIG. 2 is a rear and bottom perspective view thereof;  
FIG. 3 is a front elevation view thereof;  
FIG. 4 is a rear elevation view thereof;  
FIG. 5 is a left side elevation view thereof;  
FIG. 6 is a right side elevation view thereof;  
FIG. 7 is a top plan view thereof;  
FIG. 8 is a bottom plan view thereof; and,  
FIG. 9 is a perspective view of step stool in use state.  
The broken lines in the figures illustrate portions of the step stool that form no part of the claimed design.

(56) **References Cited**

**U.S. PATENT DOCUMENTS**

D212,471 S \* 10/1968 Wood ..... D25/64

**1 Claim, 9 Drawing Sheets**



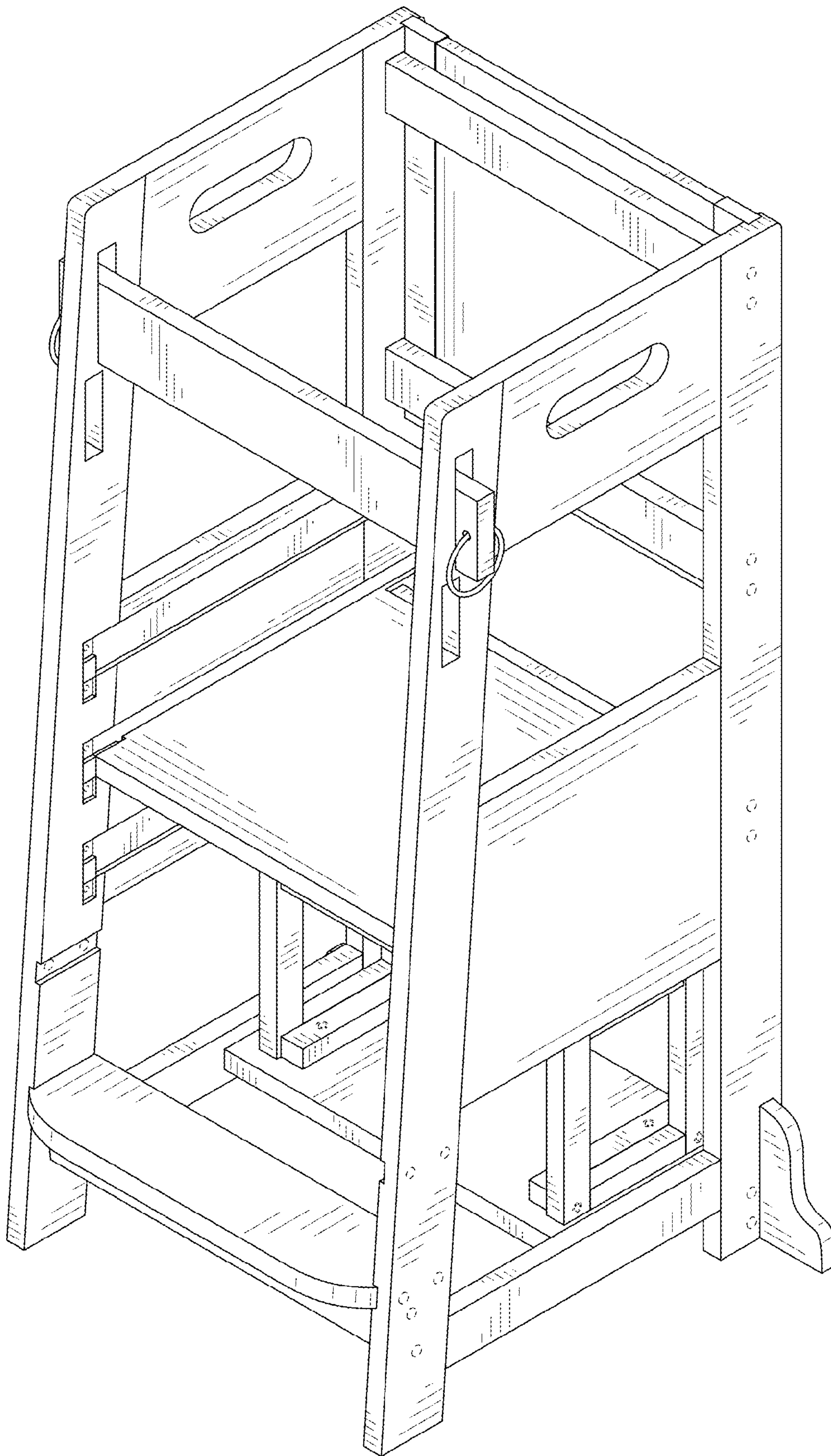


FIG. 1



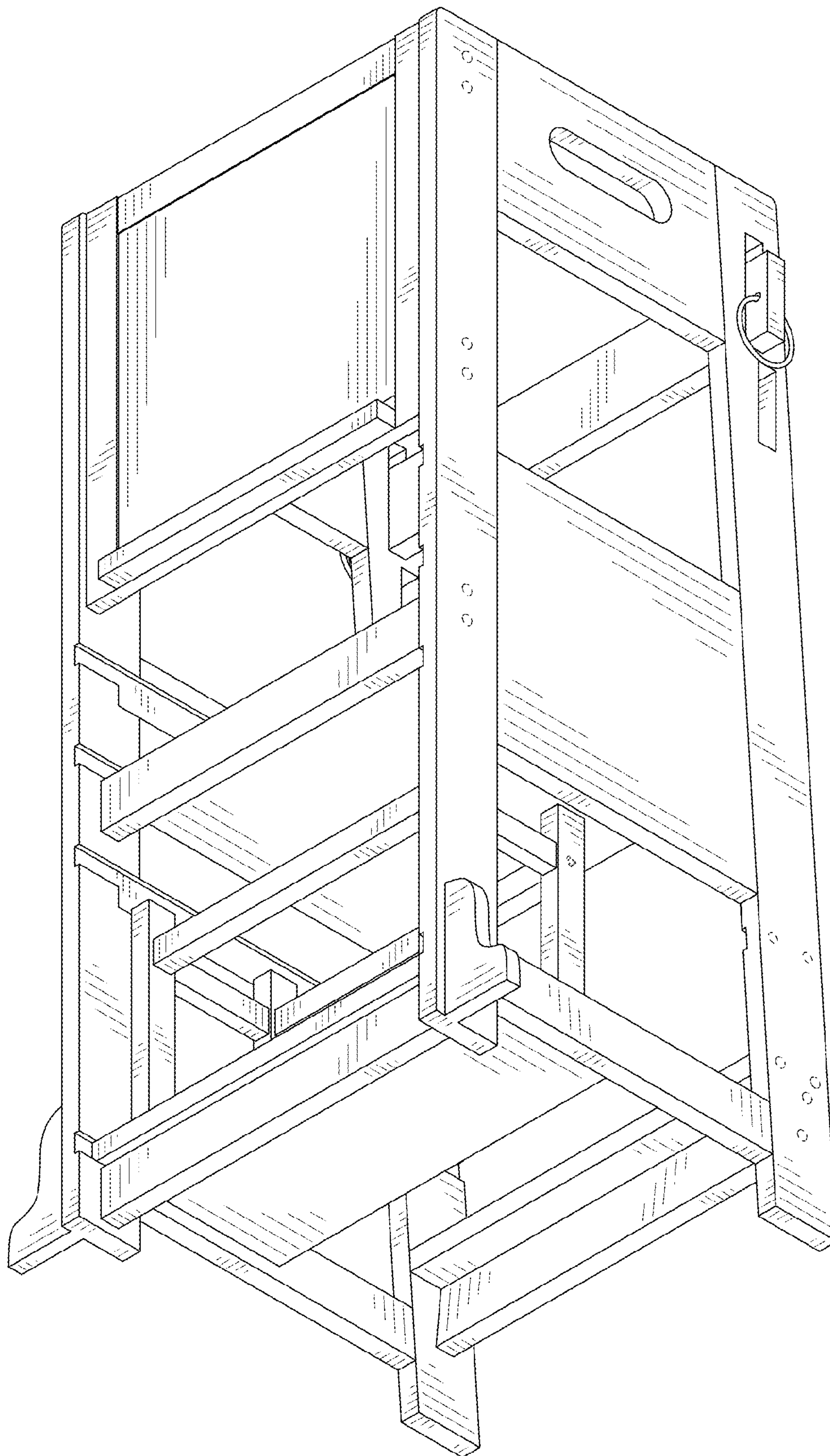


FIG. 2

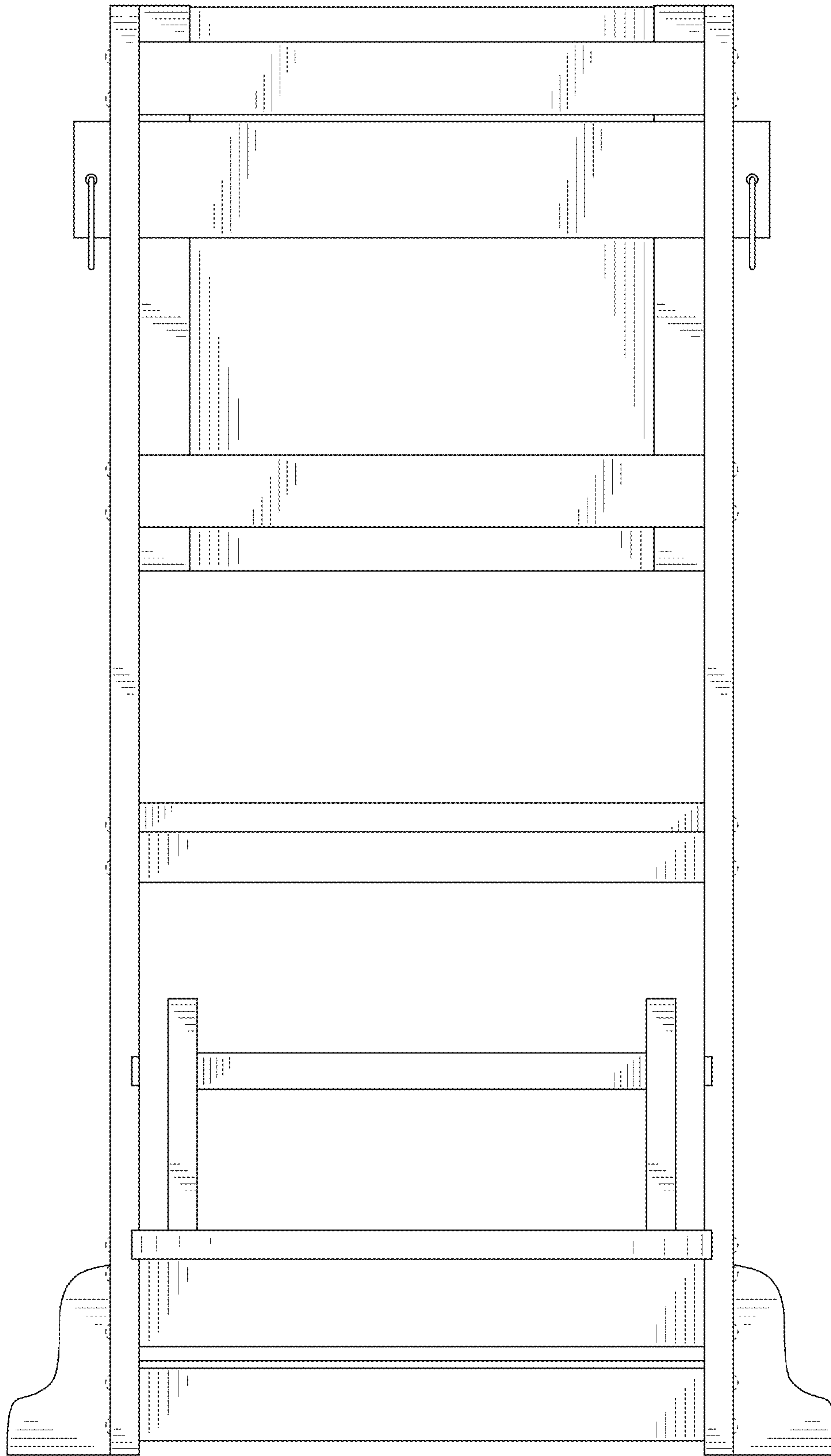


FIG. 3

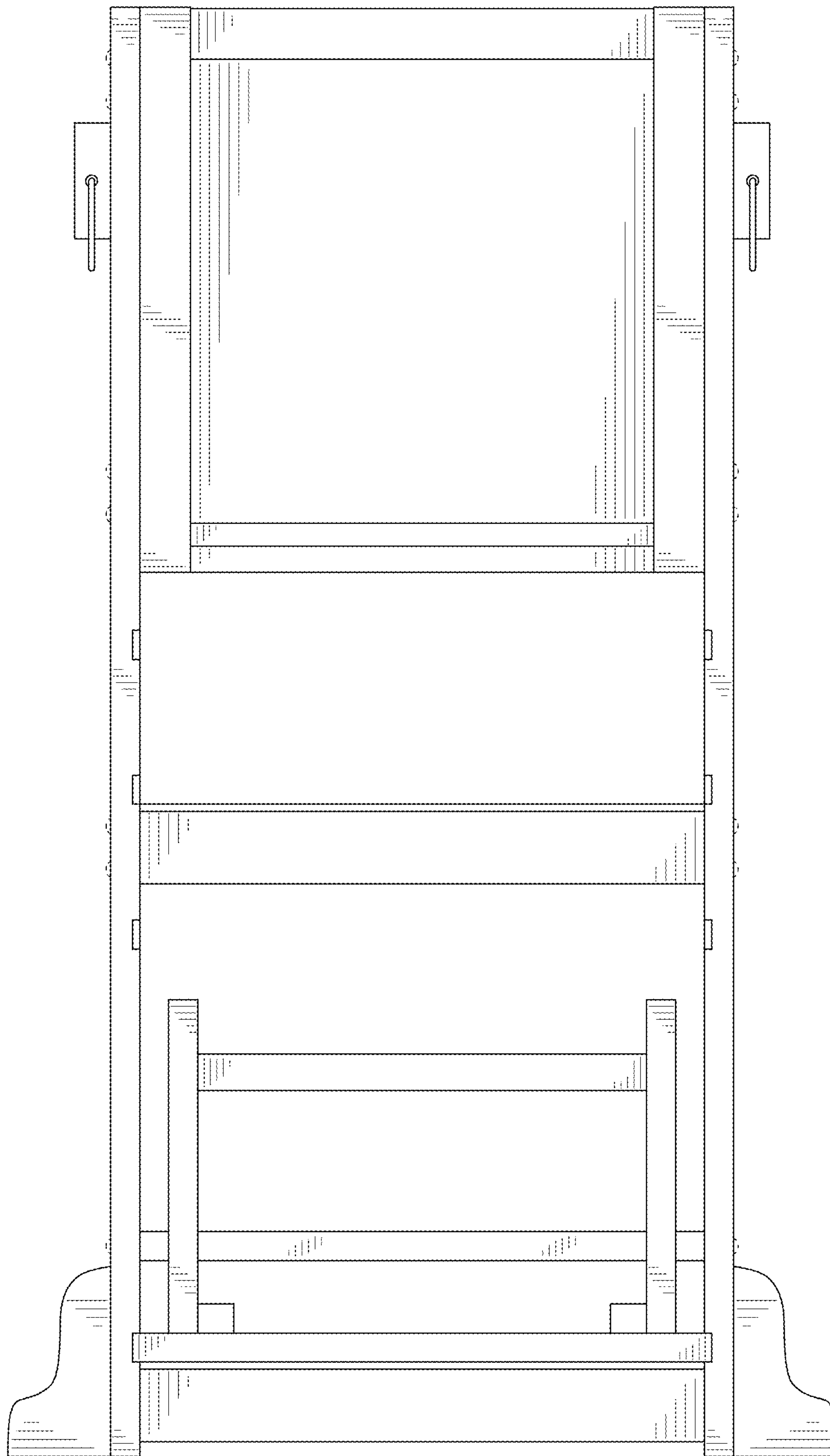


FIG. 4

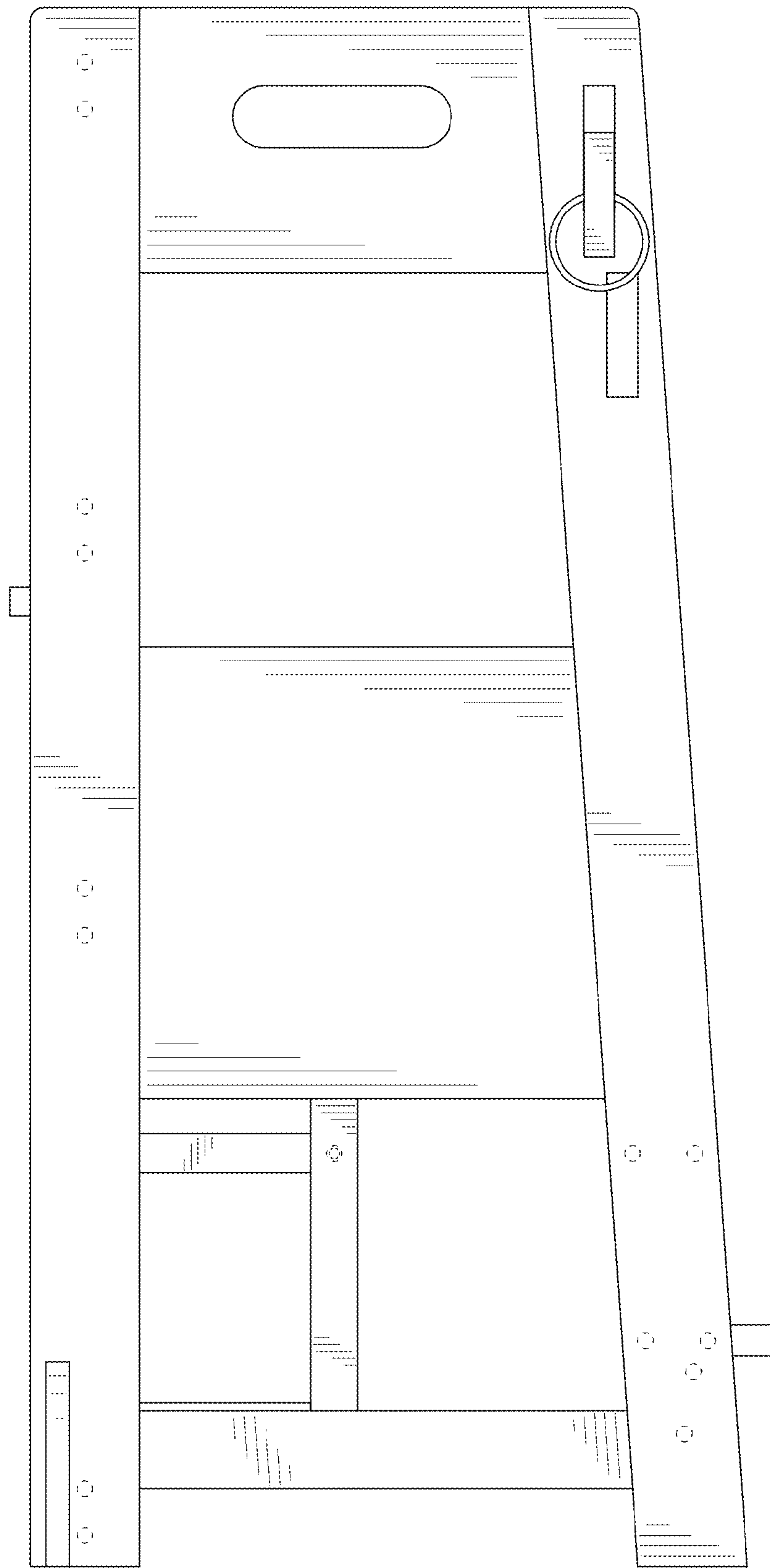


FIG. 5

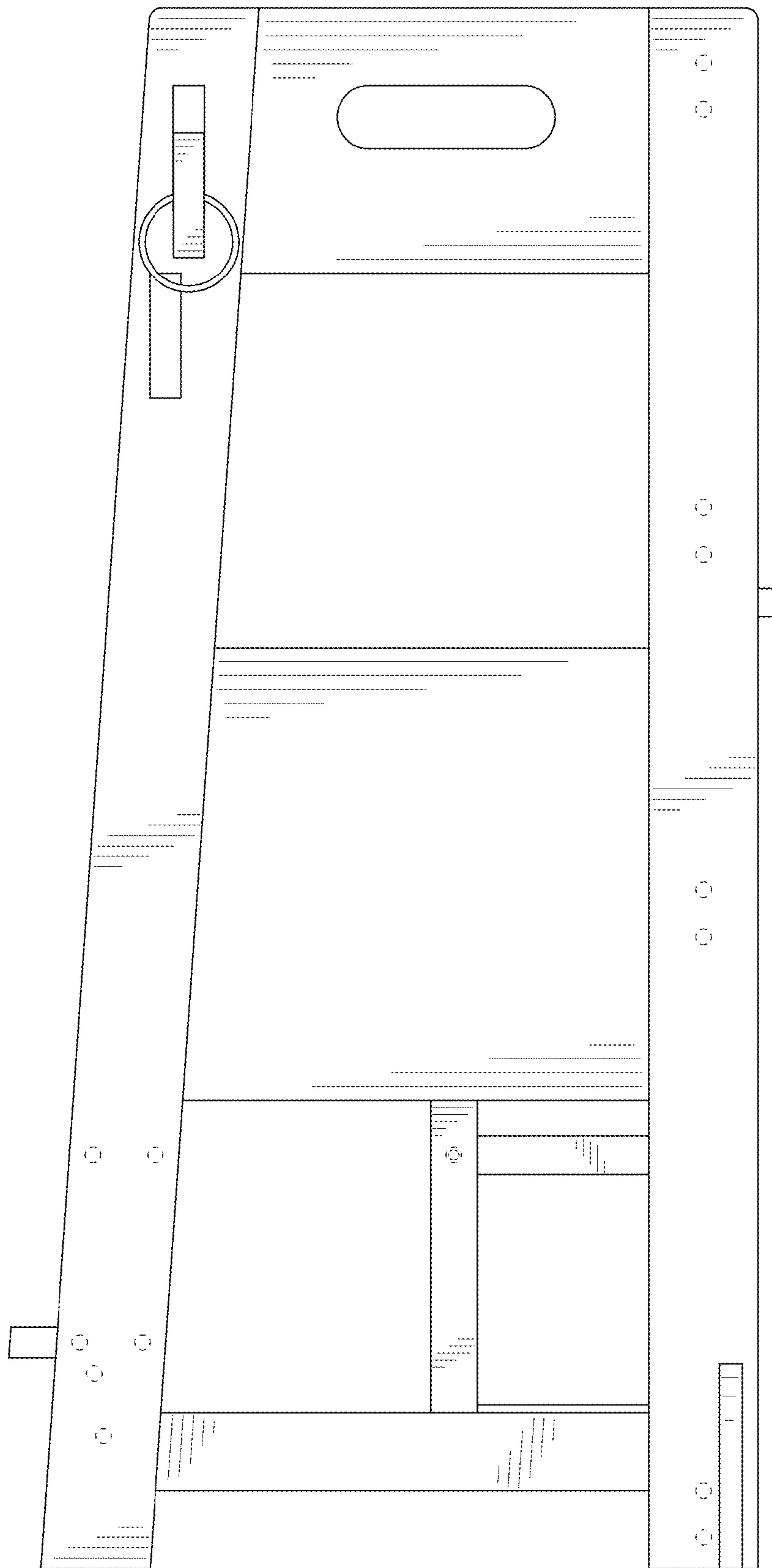


FIG. 6

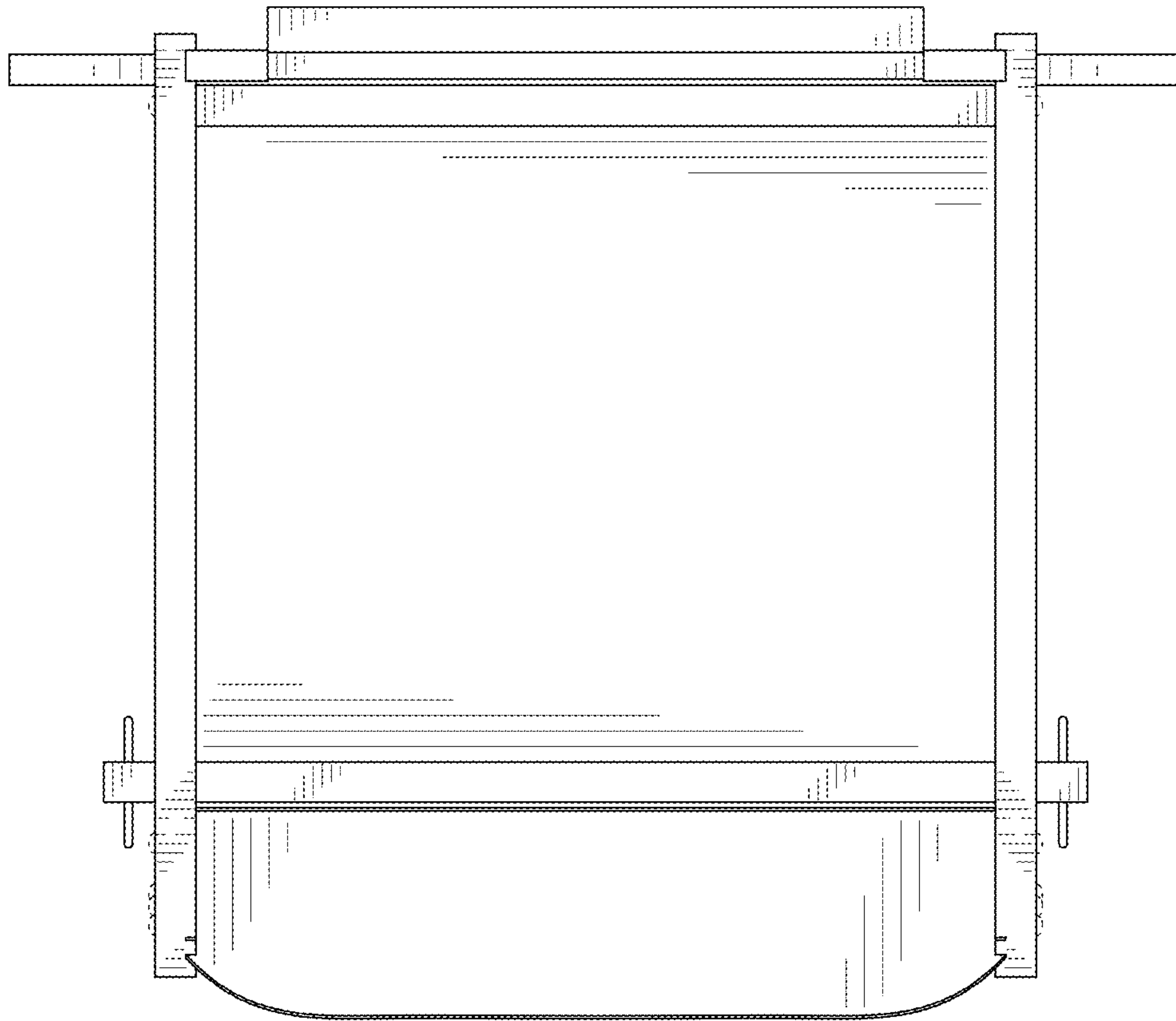


FIG. 7



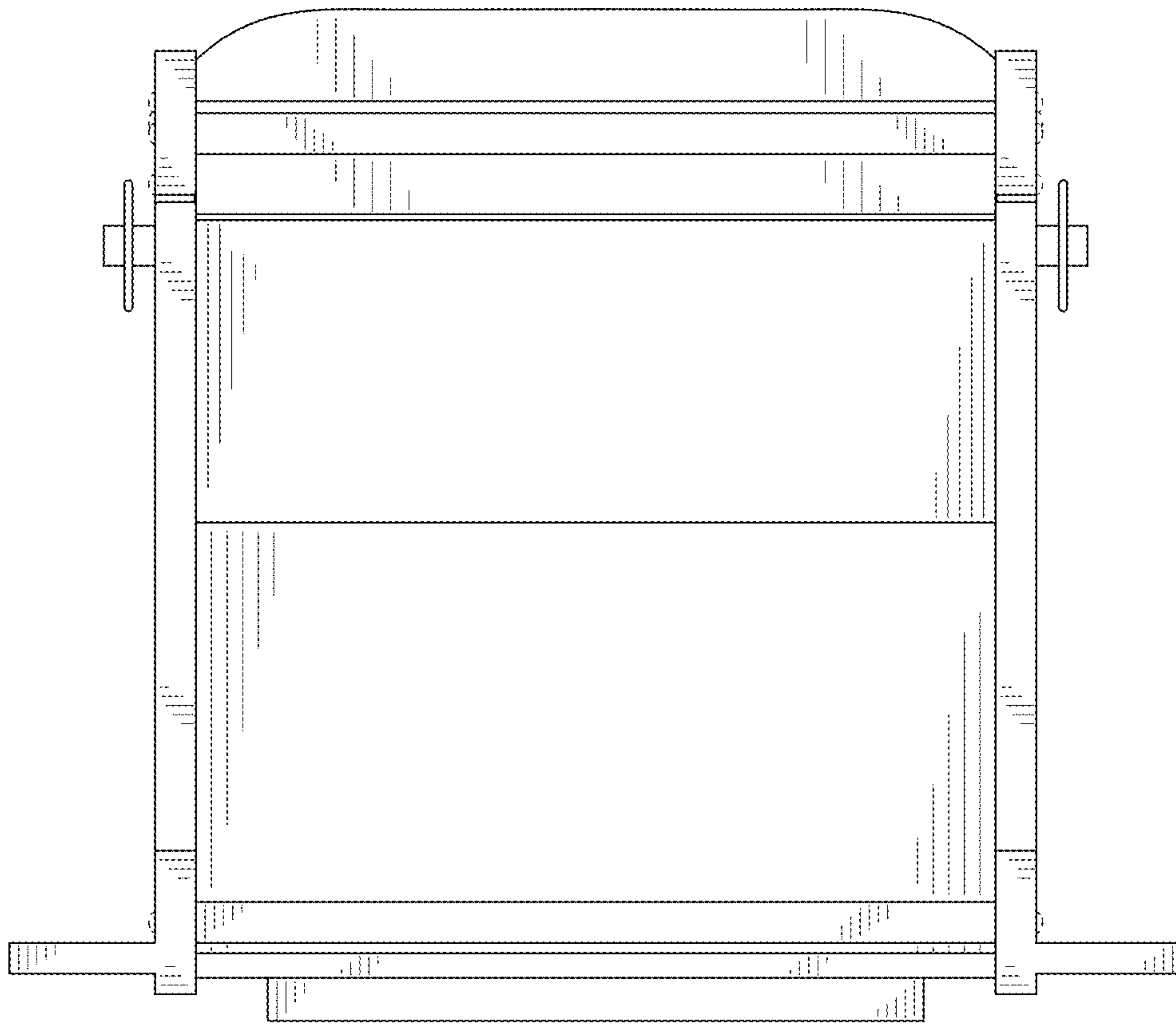


FIG. 8

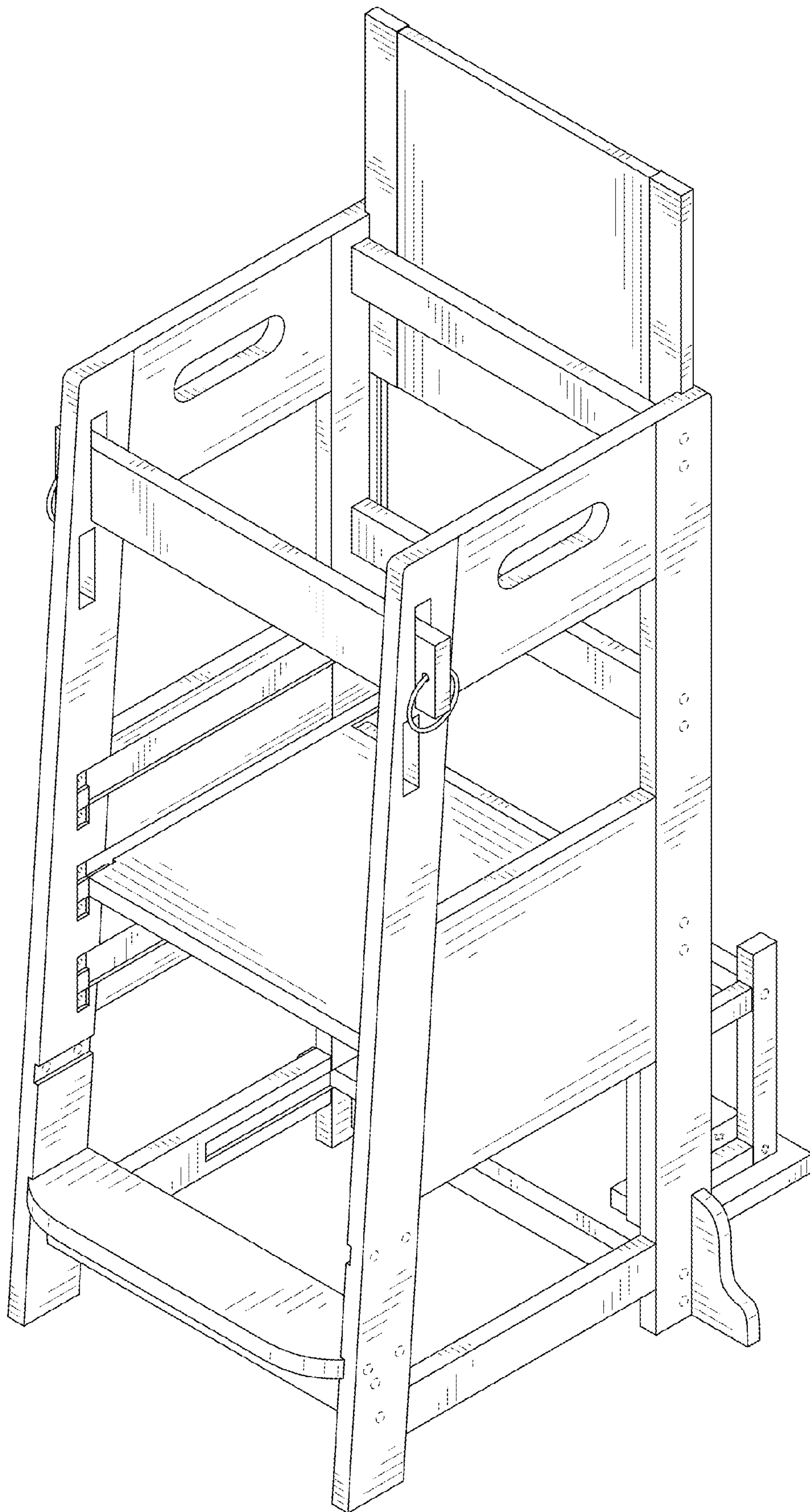


FIG. 9