



US00D972169S

(12) **United States Design Patent**  
**Yan**

(10) **Patent No.:** **US D972,169 S**

(45) **Date of Patent:** **\*\* Dec. 6, 2022**

(54) **LADDER**

OTHER PUBLICATIONS

(71) Applicant: **Zhejiang Kangqian Industry & Trade Co., Ltd.**, Jinhua (CN)

Shengbin Yan and Ladder <https://www.amazon.com/dp/B09N6PZJ4F>.  
<https://www.amazon.com/dp/B09N6PZJ4F>.

(72) Inventor: **Shengbin Yan**, Jinhua (CN)

\* cited by examiner

(\*\*) Term: **15 Years**

*Primary Examiner* — Gino Colan

(21) Appl. No.: **29/792,238**

(57) **CLAIM**

The ornamental design for a ladder, as shown and described.

(22) Filed: **Mar. 14, 2022**

**DESCRIPTION**

(51) **LOC (13) Cl.** ..... **25-04**

(52) **U.S. Cl.**

USPC ..... **D25/65**

(58) **Field of Classification Search**

USPC ..... D25/62, 65, 68, 69

CPC ..... E06C 1/14; E06C 1/24; E06C 1/58; E06C

1/00

See application file for complete search history.

FIG. 1 is a front and top perspective view of a ladder, showing my new design;

FIG. 2 is a rear and bottom perspective view thereof;

FIG. 3 is a front elevation view thereof;

FIG. 4 is a rear elevation view thereof;

FIG. 5 is a left side elevation view thereof;

FIG. 6 is a right side elevation view thereof;

FIG. 7 is a top plan view thereof;

FIG. 8 is a bottom plan view thereof;

FIG. 9 is an enlarged view of a portion indicated with numeric 9 in FIG. 1; and,

FIG. 10 is an enlarged view of a portion indicated with numeric 10 in FIG. 2.

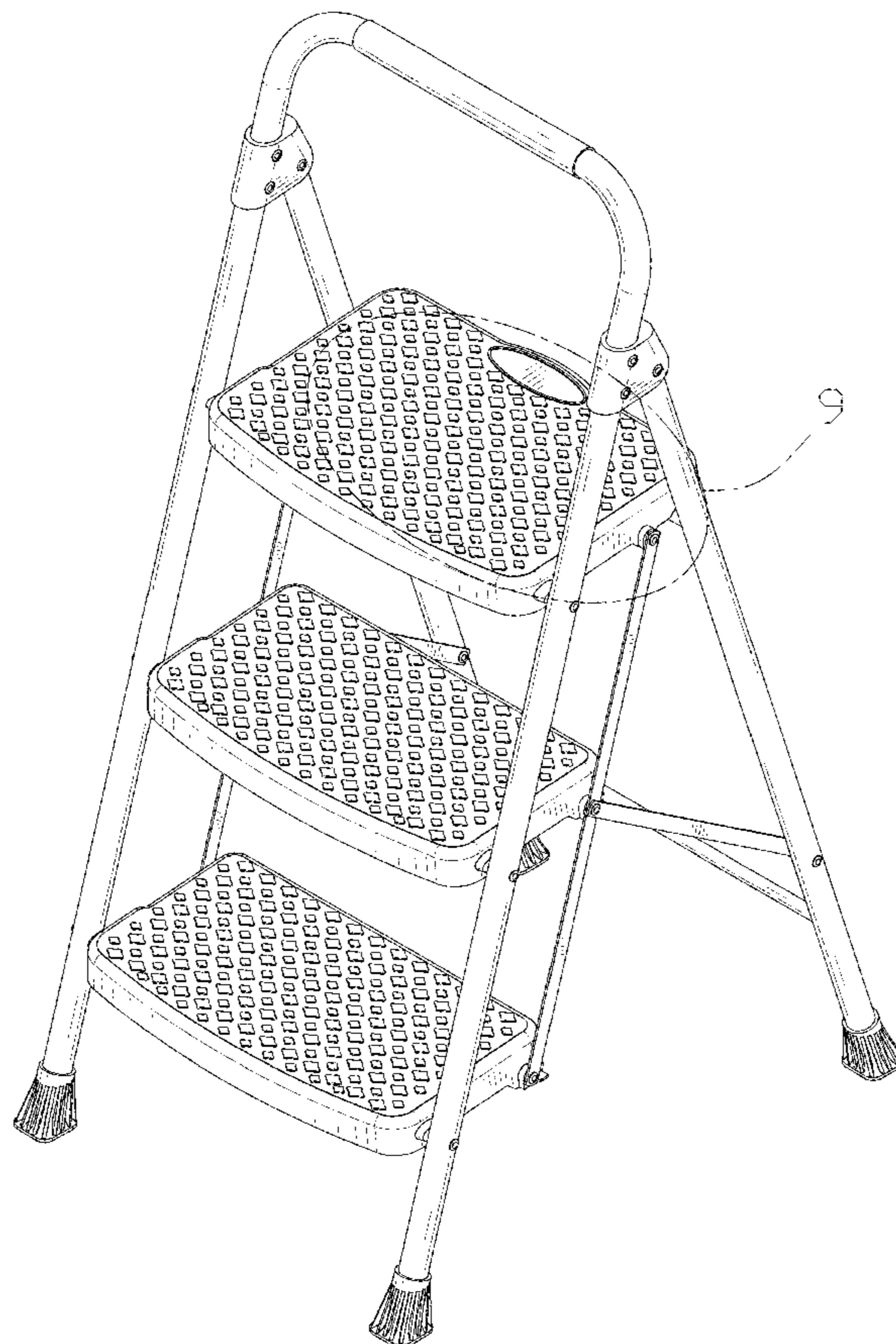
The dash dot dash lines in FIGS. 1, 2, 9 and 10 are for the purpose of depicting the boundary lines of the enlarged views and form no part of the claimed design.

(56) **References Cited**

U.S. PATENT DOCUMENTS

D564,674 S *	3/2008	Farber	.....	D25/65
D564,675 S *	3/2008	Farber	.....	D25/65
D565,745 S *	4/2008	Meyers	.....	D25/65
D576,291 S *	9/2008	Latimer	.....	D25/65
D594,135 S *	6/2009	Jane Stopp	.....	D25/65
D921,224 S	6/2021	Mittanck et al.		

**1 Claim, 10 Drawing Sheets**



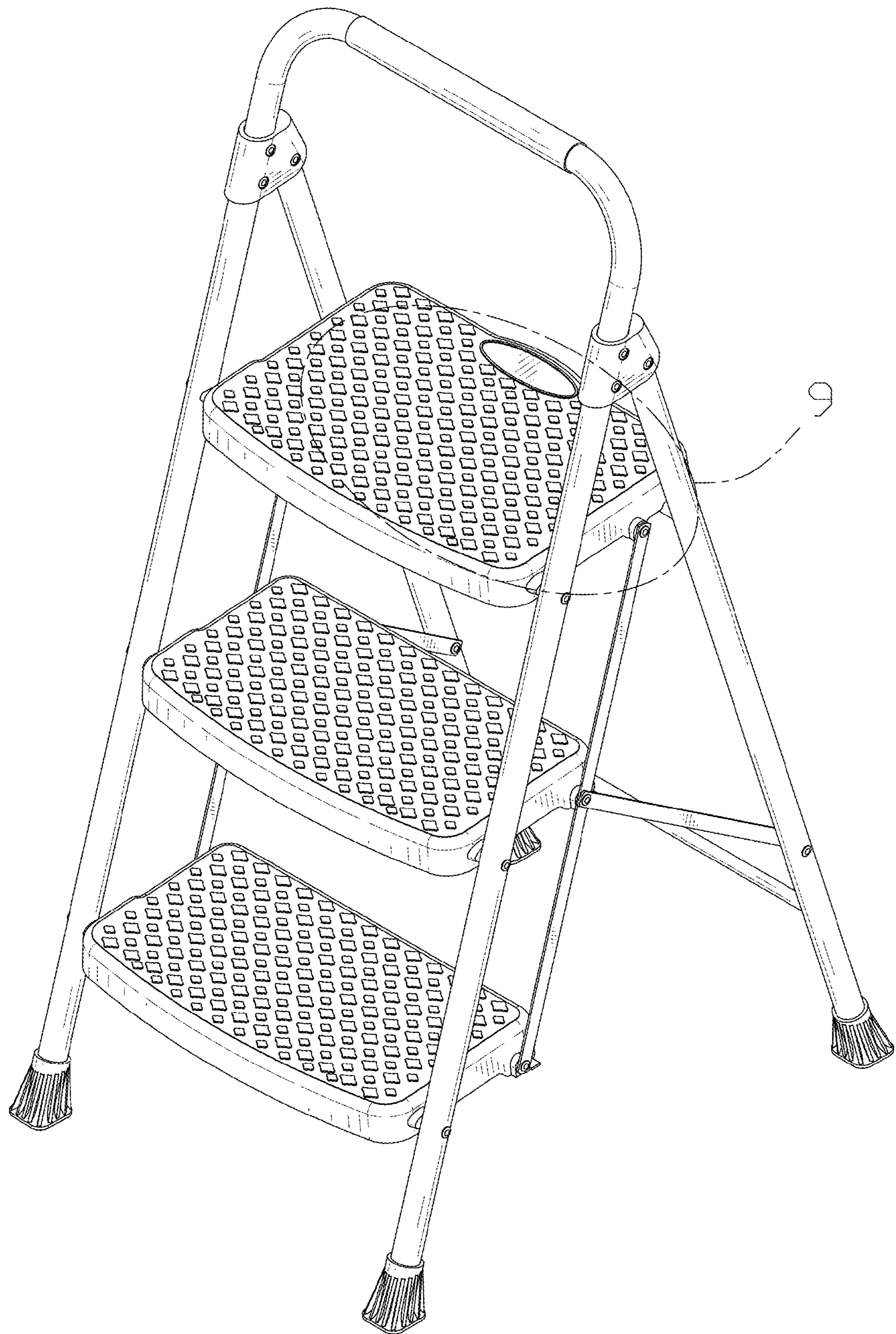


FIG. 1



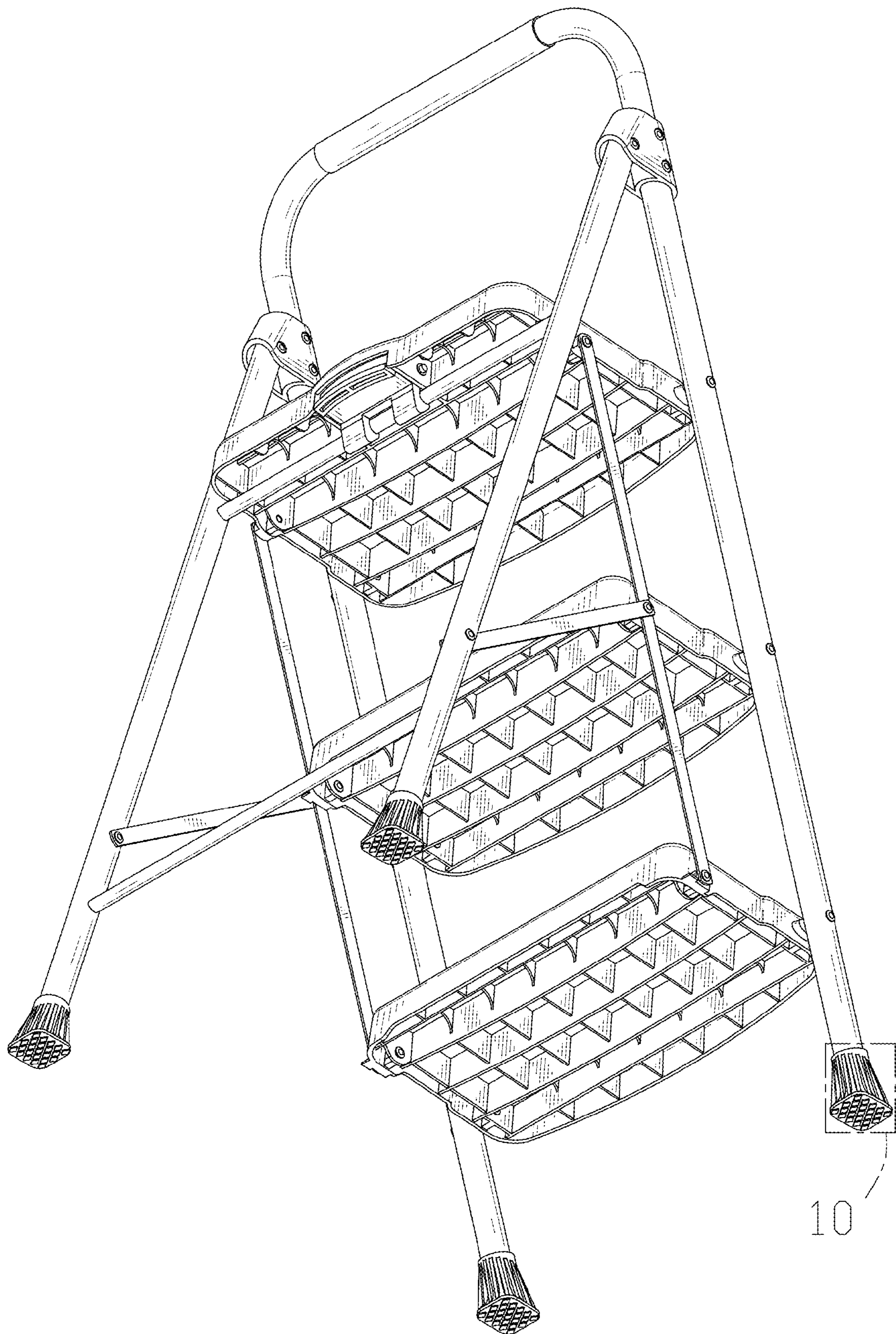


FIG. 2

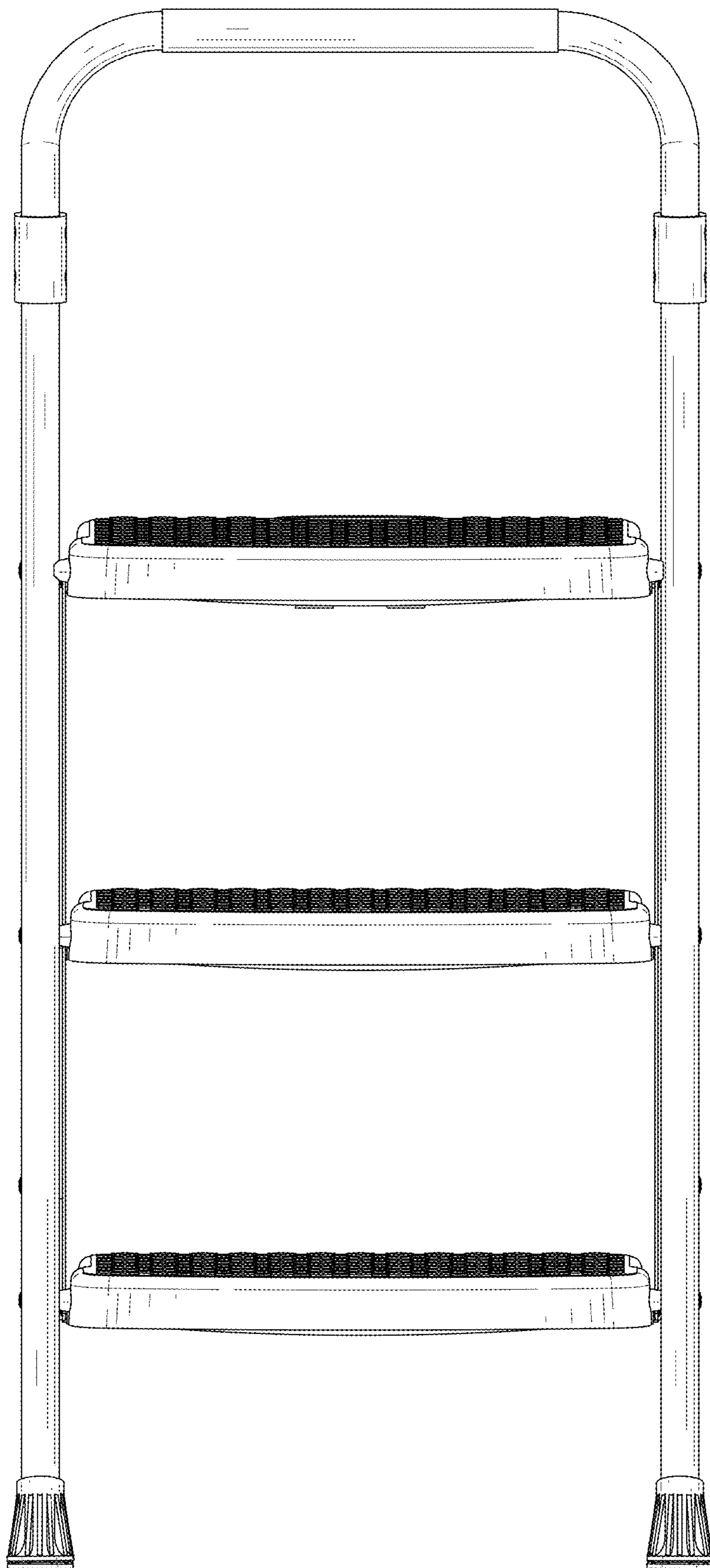


FIG. 3

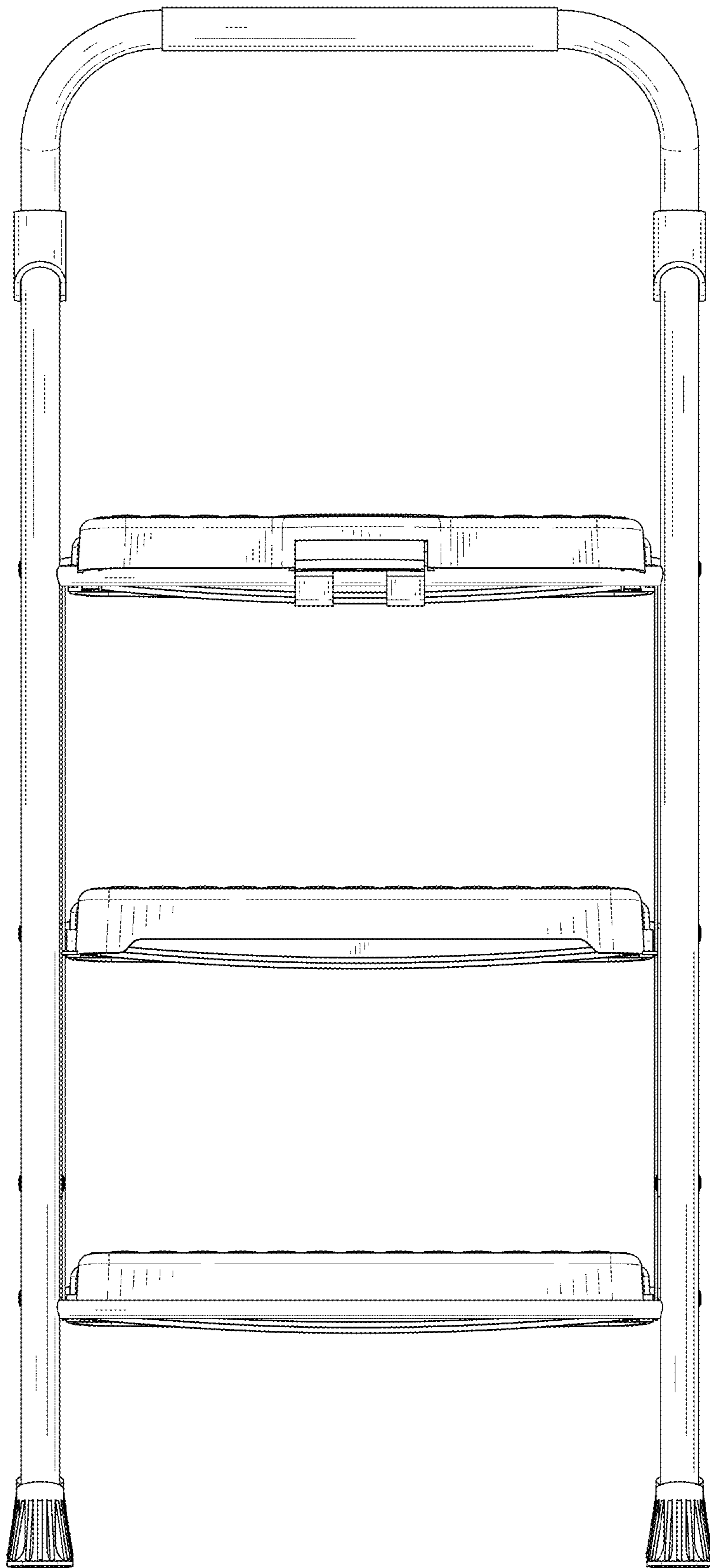


FIG. 4



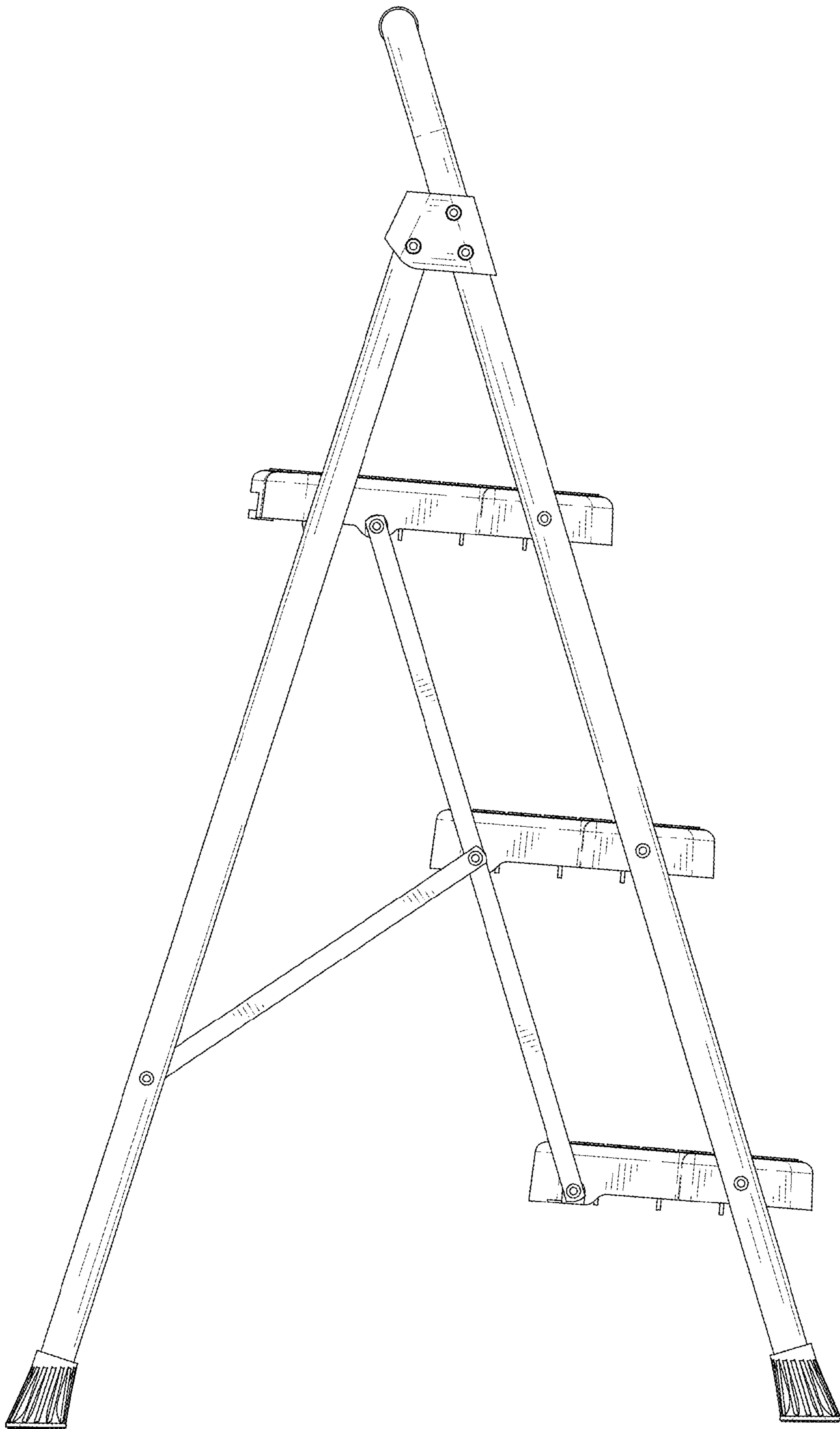


FIG. 5

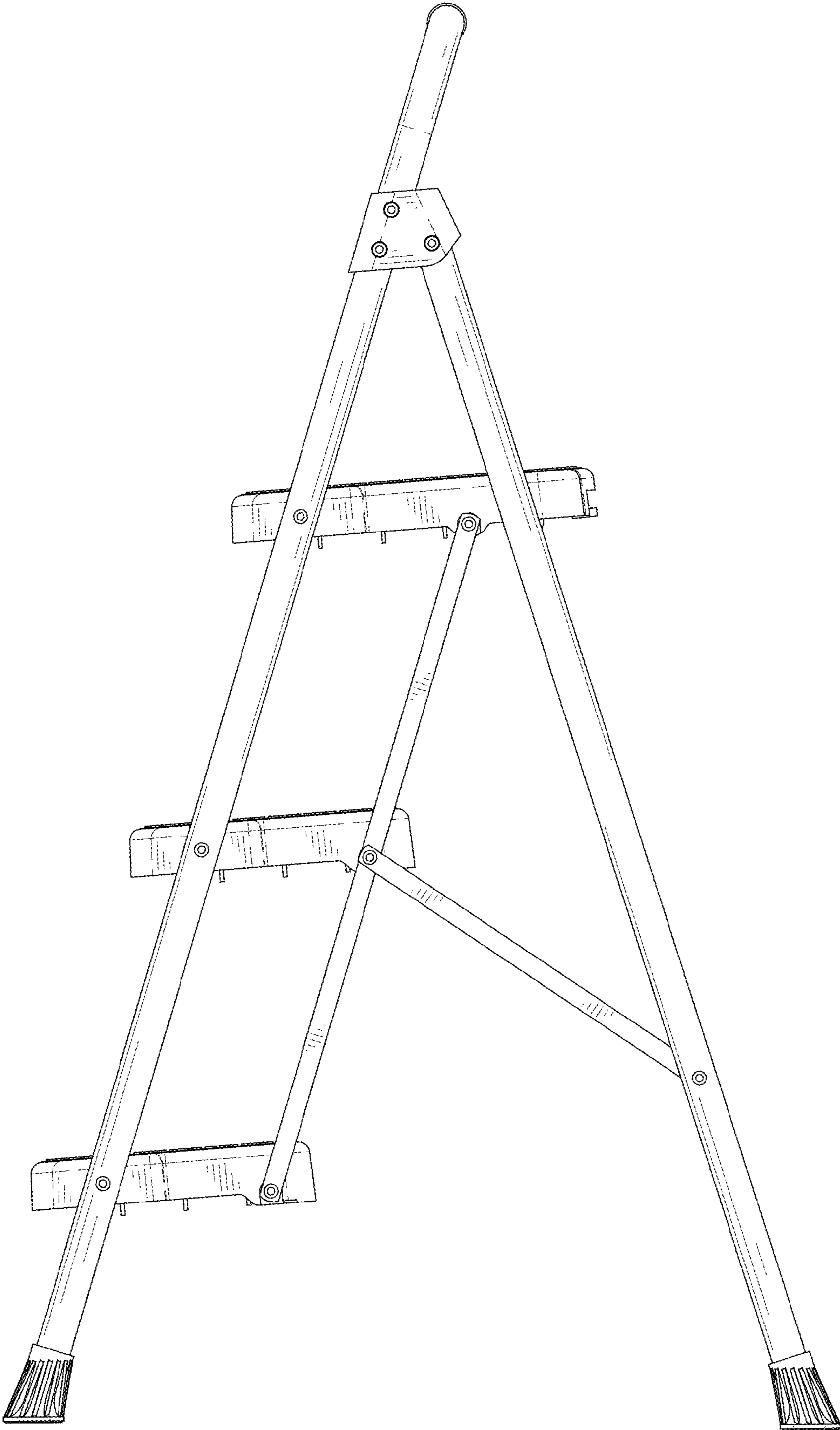


FIG. 6

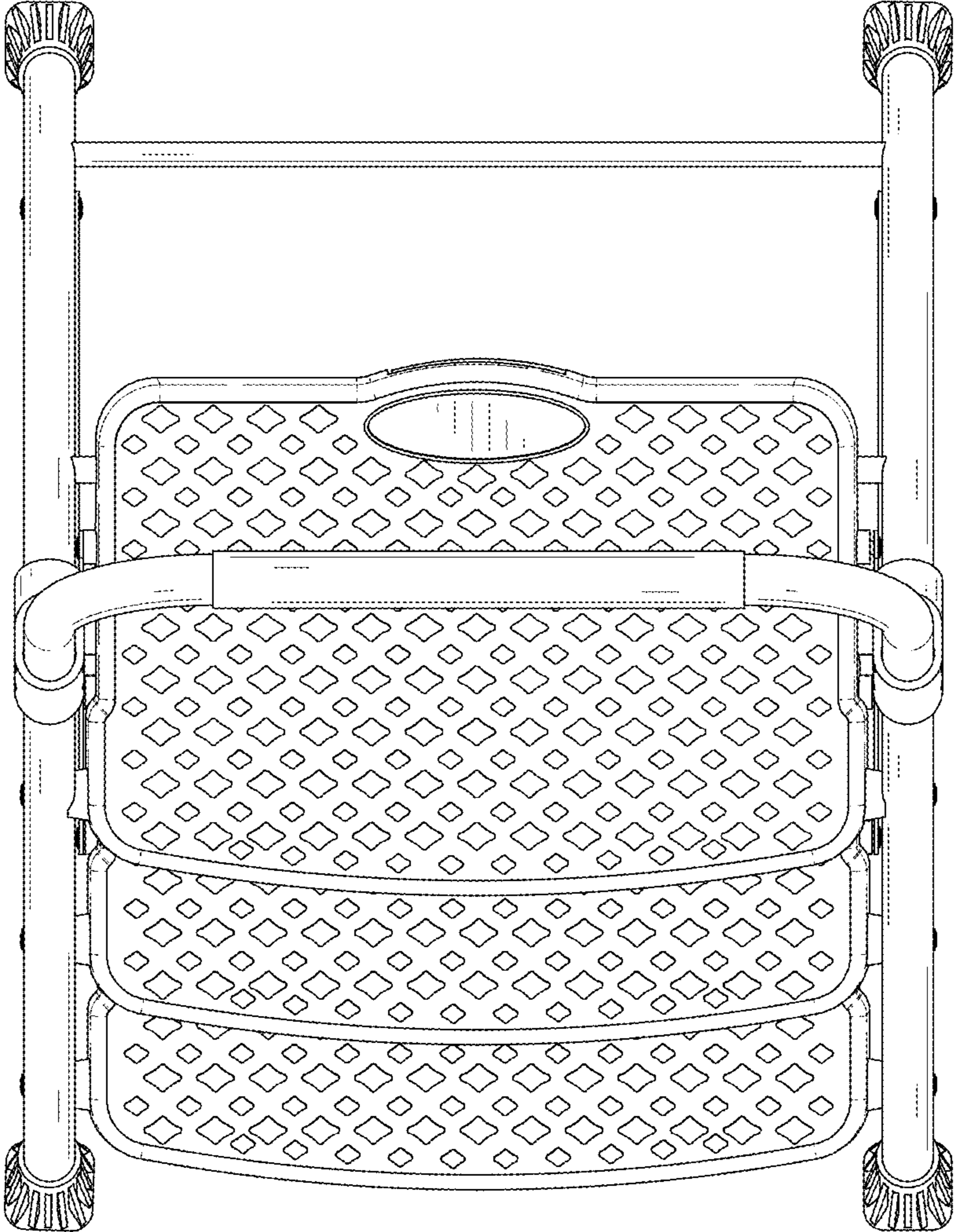


FIG. 7



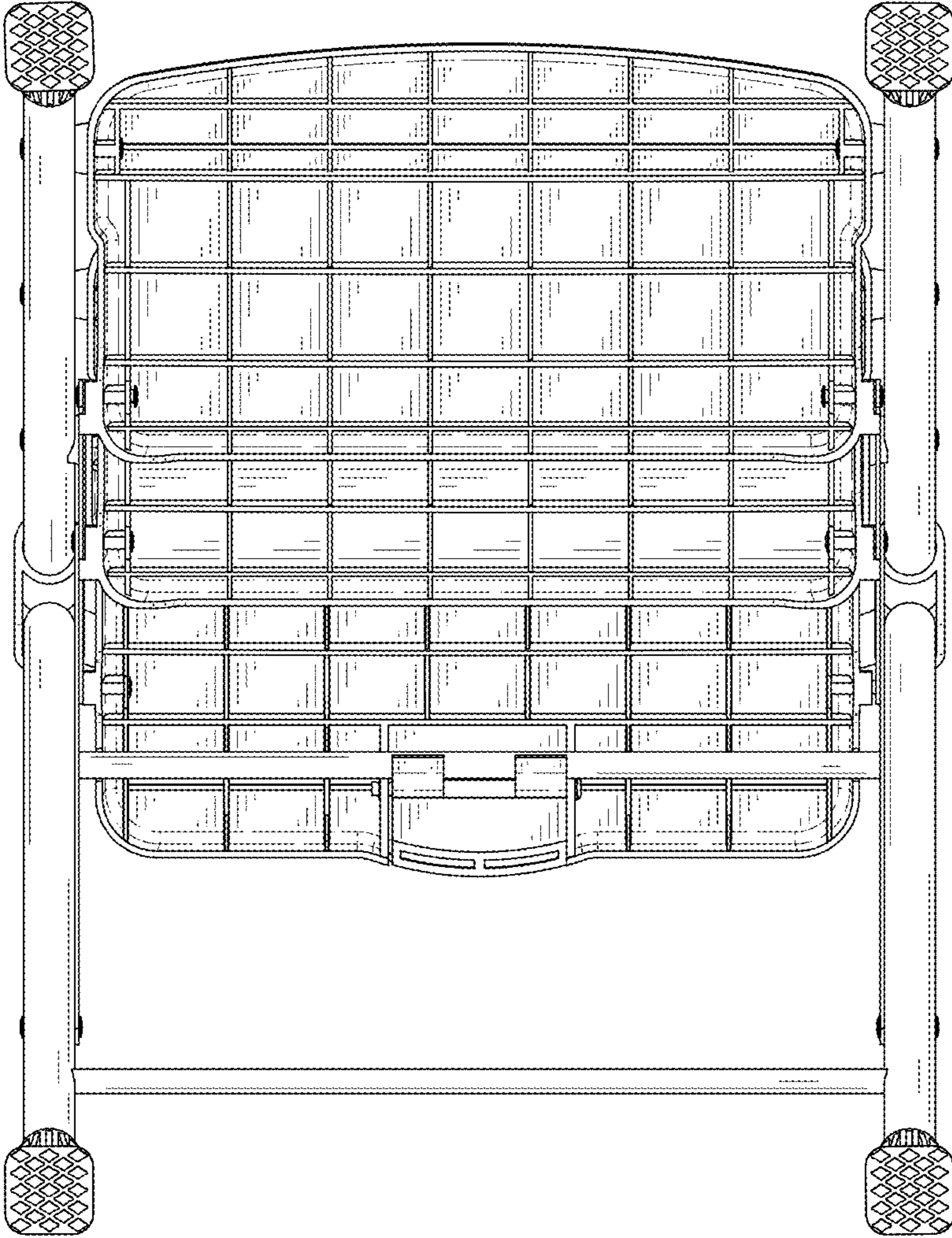


FIG. 8

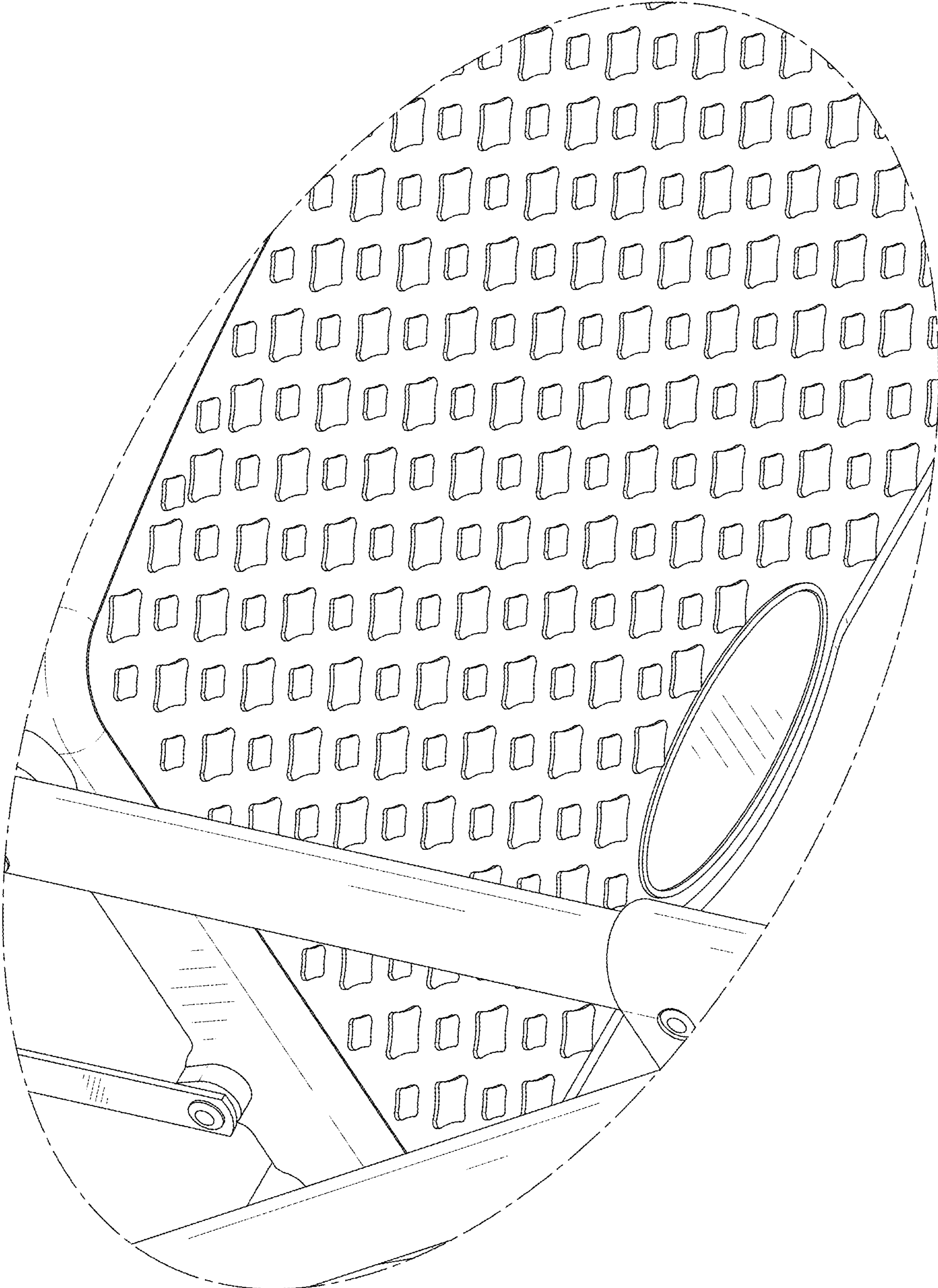


FIG. 9

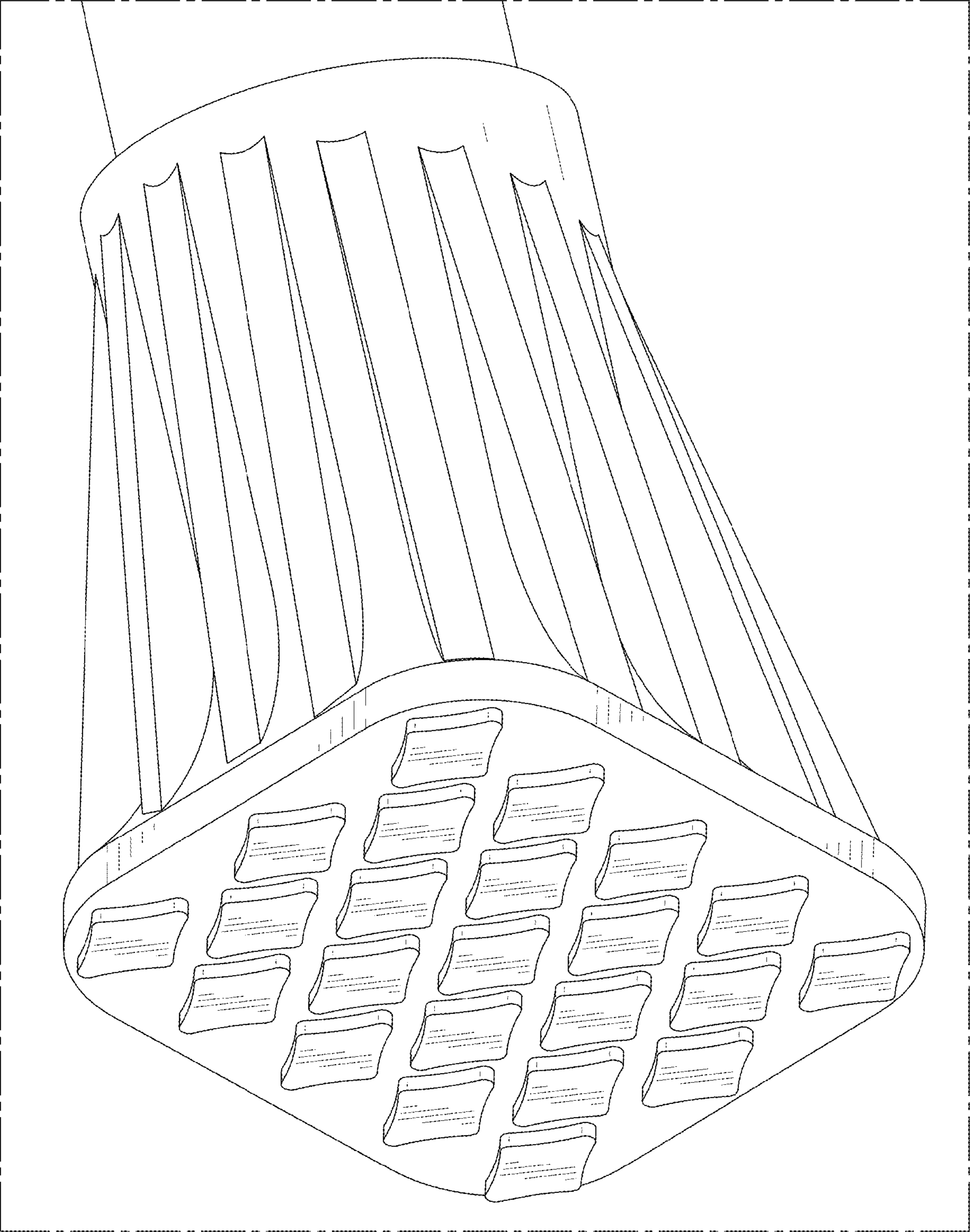


FIG. 10