



US00D972168S

(12) **United States Design Patent** (10) **Patent No.:** **US D972,168 S**
Zutler et al. (45) **Date of Patent:** **** Dec. 6, 2022**

(54) **SWING GATE**

FOREIGN PATENT DOCUMENTS

(71) Applicant: **GLOBAL INDUSTRIAL DISTRIBUTION INC.**, Port Washington, NY (US)

CN 305538913 * 1/2020
CN 305777091 * 5/2020
EM 004719623-0001 * 3/2018

(Continued)

(72) Inventors: **Bruce Zutler**, Port Washington, NY (US); **Joshua O'Brien**, Arden, NY (US)

OTHER PUBLICATIONS

(73) Assignee: **GLOBAL INDUSTRIAL DISTRIBUTION INC.**, Port Washington, NY (US)

708360YL <https://static.globalindustrial.com/products/pdf/4699-i-lift-equipment-inc-shanghai/708360YL.pdf> Spec Sheet Dated Aug. 1, 2019 (Year: 2019).*

(Continued)

(**) Term: **15 Years**

Primary Examiner — Leanne Was-Englehart

(21) Appl. No.: **29/746,347**

(74) *Attorney, Agent, or Firm* — Troutman Pepper Hamilton Sanders LLP

(22) Filed: **Aug. 13, 2020**

(51) **LOC (13) Cl.** **25-02**

(52) **U.S. Cl.**
USPC **D25/48.5**

(58) **Field of Classification Search**
USPC D25/48.1, 48.3, 48.5, 48.6
CPC E06B 9/04; E06B 11/02; E06B 11/085;
E06B 2009/002; E05Y 2900/40; A47K
17/022; A47K 17/024

See application file for complete search history.

(57) **CLAIM**

The ornamental design for a swing gate, as shown and described.

DESCRIPTION

(56) **References Cited**

U.S. PATENT DOCUMENTS

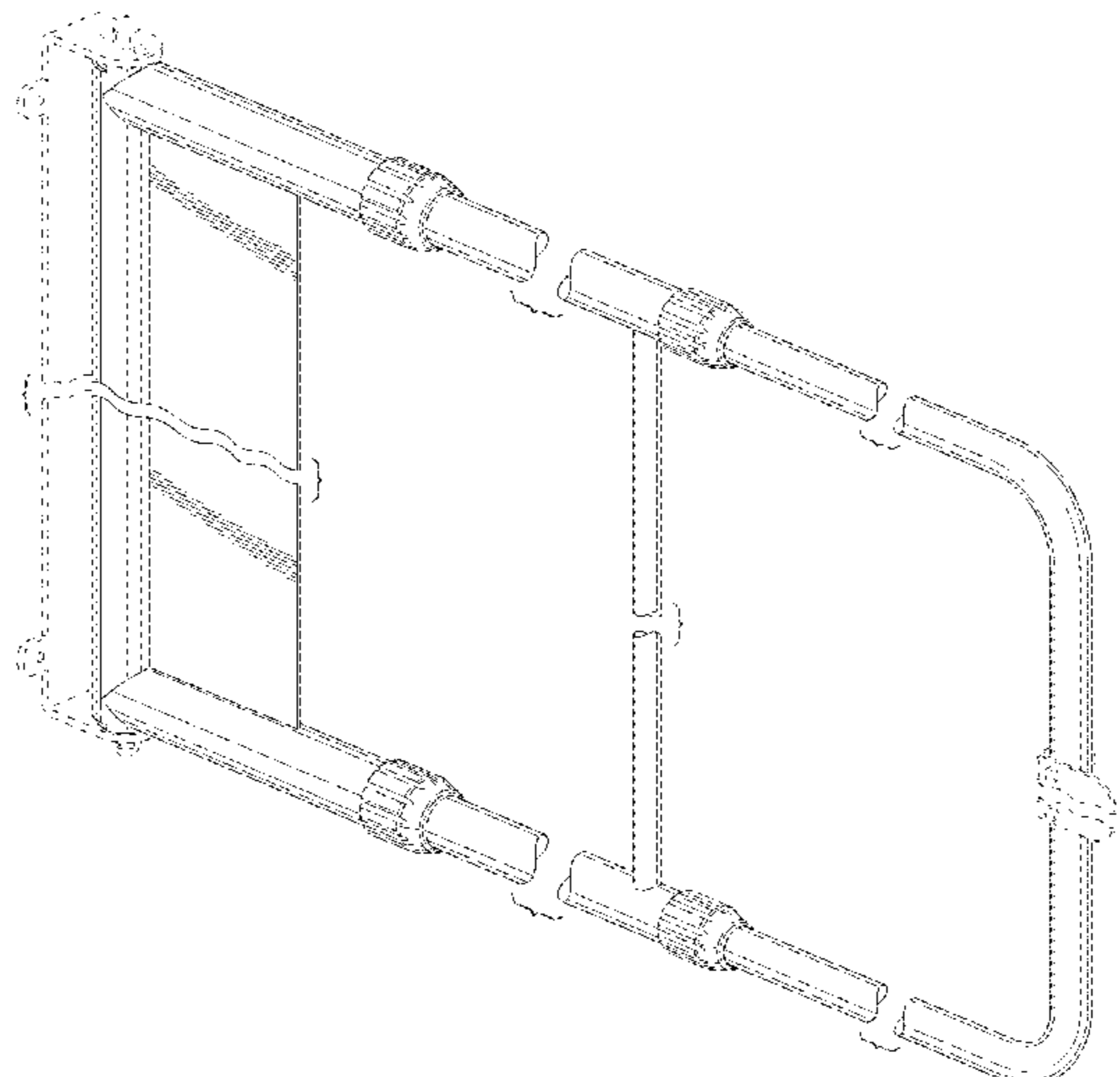
D188,190 S * 6/1960 Stevens et al. D25/48.6
D188,191 S * 6/1960 Stevens et al. D25/48.6
4,472,908 A * 9/1984 Wanzl E05F 15/614
49/141
D347,284 S * 5/1994 Brigden D25/48.5
D539,921 S * 4/2007 Williman D25/48.5
10,925,446 B2 * 2/2021 Edwards A47K 17/024
11,096,531 B2 * 8/2021 Edwards A47K 17/024
2009/0032585 A1 * 2/2009 Kocznar G07C 9/10
235/382
2020/0069122 A1 * 3/2020 Edwards A47K 17/024
2020/0345187 A1 * 11/2020 Edwards A47K 17/024

(Continued)

FIG. 1 is a perspective view of the swing gate showing the new design;
FIG. 2 is a right profile view of FIG. 1;
FIG. 3 is a left profile view of FIG. 1;
FIG. 4 is a rear view of FIG. 1;
FIG. 5 is a front view of FIG. 1;
FIG. 6 is a top view of FIG. 1; and,
FIG. 7 is a bottom view of FIG. 1.

The broken lines depict portions of the swing gate that form no part of the claimed design. The drawings contain a symbolic break. The portion between the break lines forms no part of the claimed design. The shade lines shown represent surface shading and not surface ornamentation, color, or material type.

1 Claim, 5 Drawing Sheets



(56)

References Cited

U.S. PATENT DOCUMENTS

2021/0047846 A1* 2/2021 Curtis E04G 5/144

FOREIGN PATENT DOCUMENTS

EM 006080214-0001 * 1/2019
KR 301061283.0000 * 6/2020

OTHER PUBLICATIONS

Safety Products Self Closing Gates <https://safety-products.save-ty.com/viewitems/industrial-safety-gates/l-categories-safety-gates-self-closing-safety-gate> Available Aug. 9, 2020 (Year: 2020).*
Universal Spring-Loaded Safety Swing Gate <https://www.amazon.com/Universal-Spring-Loaded-Safety-Opening-Yellow/dp/B083C429KP> First Available Dec. 31, 2019 (Year: 2019).*

* cited by examiner

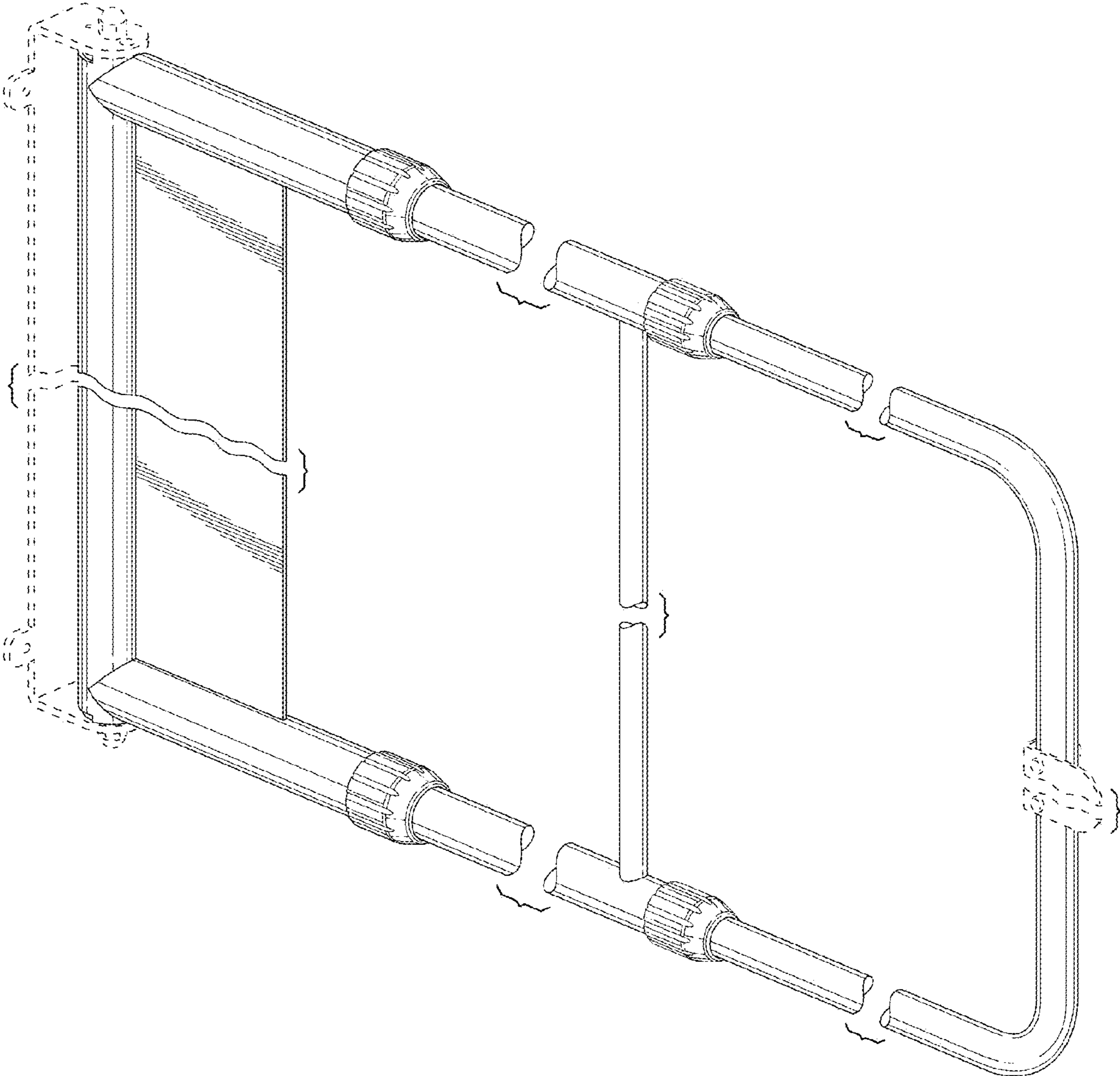


FIG. 1

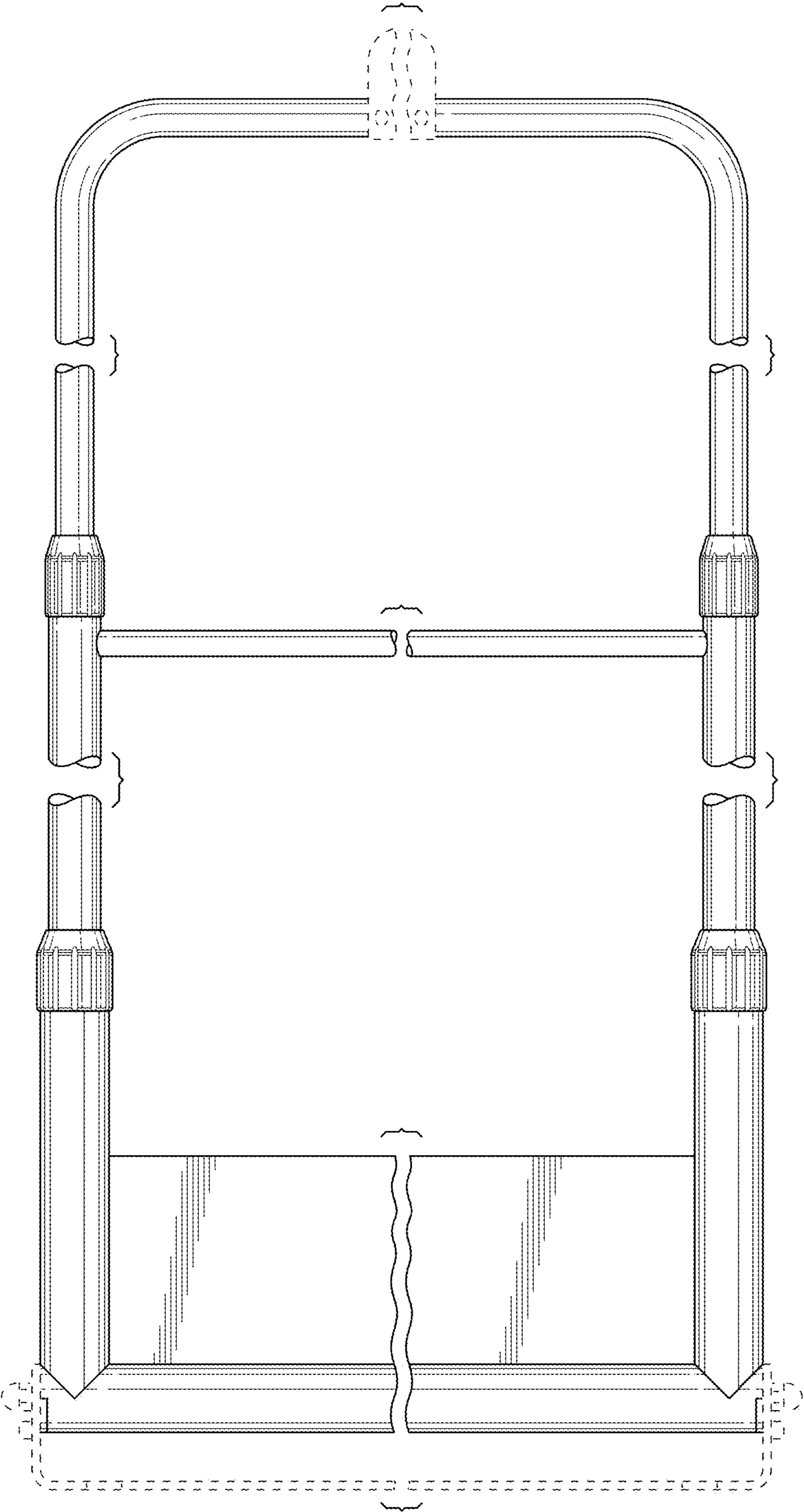


FIG. 2

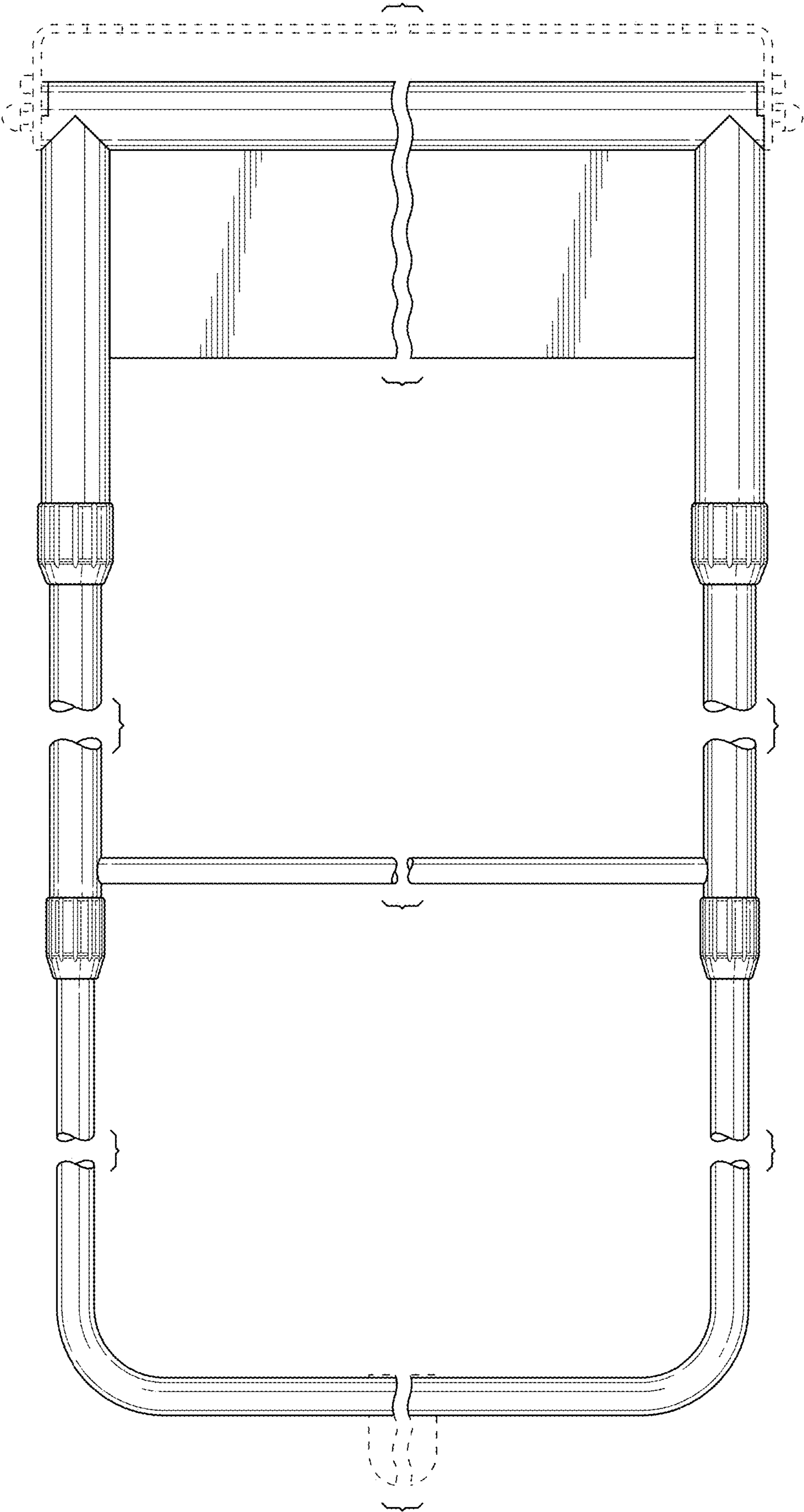


FIG. 3

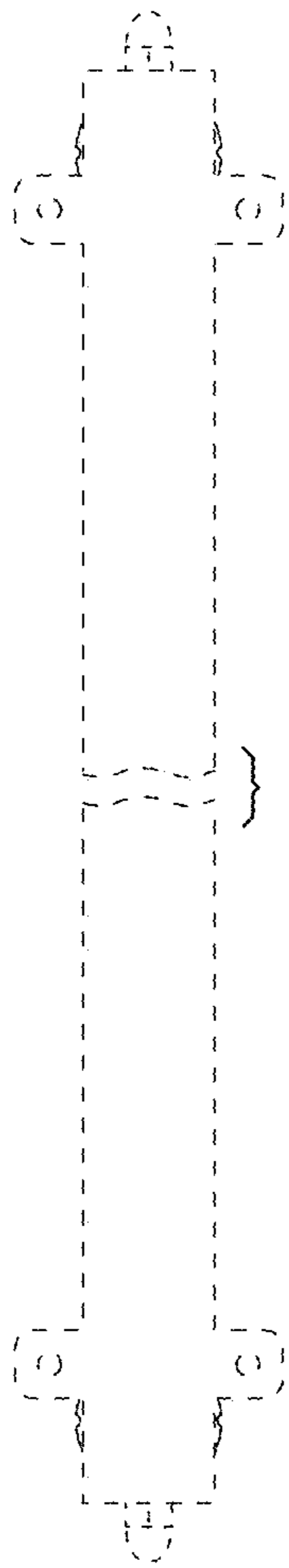


FIG. 4

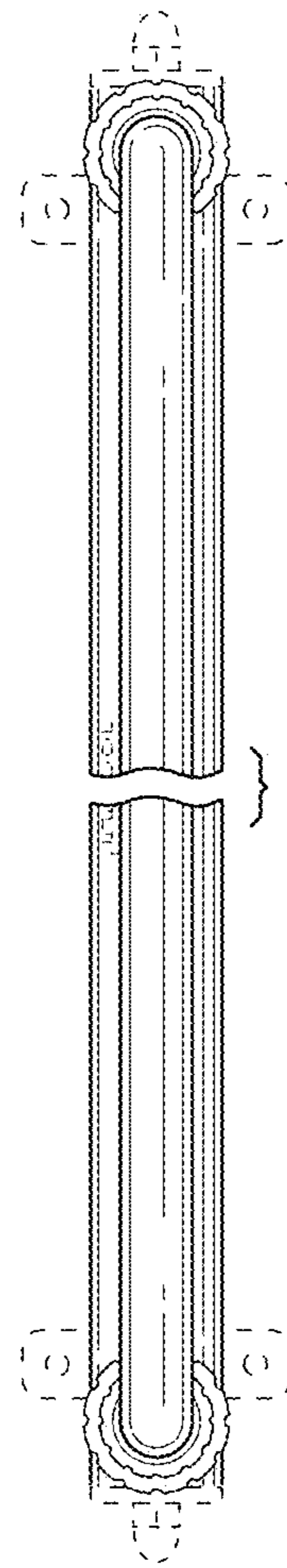


FIG. 5

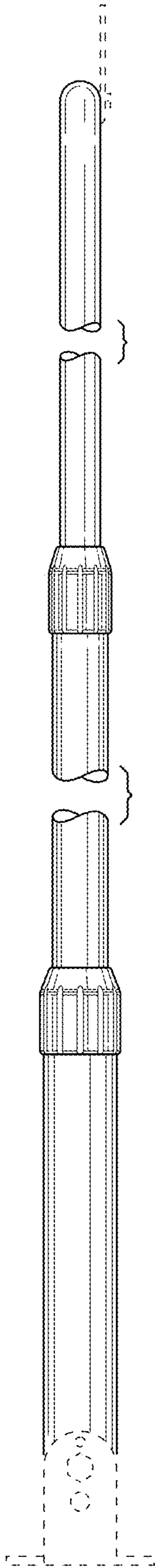


FIG. 6

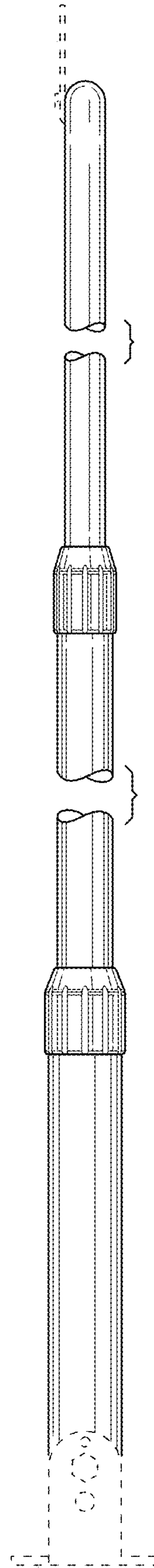


FIG. 7