



US00D972167S

(12) **United States Design Patent** (10) **Patent No.:** **US D972,167 S**
Chen (45) **Date of Patent:** **** Dec. 6, 2022**

(54) **PET DOOR**
(71) Applicant: **Yusheng Chen**, Puning (CN)
(72) Inventor: **Yusheng Chen**, Puning (CN)

D407,500 S * 3/1999 Gribble D25/48.3
D445,915 S * 7/2001 Kirk D25/48.3
D448,088 S 9/2001 McFee
(Continued)

(*) Notice: Patent file contains an affidavit/declaration under 37 CFR 1.130(b).

CN 305462026 S 11/2019
CN 306798720 S 8/2021

(**) Term: **15 Years**

FOREIGN PATENT DOCUMENTS

(21) Appl. No.: **29/809,855**

(22) Filed: **Sep. 30, 2021**

OTHER PUBLICATIONS

Amazon.com _ Baboni Pet Door for Wall <https://www.amazon.com/Baboni-Telescoping-Aluminum-Durable-Medium/dp/B09683DCH4?th=1> First Available May 31, 2021 (Year: 2021).*
(Continued)

(30) **Foreign Application Priority Data**

Aug. 2, 2021 (CN) 202130496182.7

(51) **LOC (13) Cl.** **30-02**

(52) **U.S. Cl.**
USPC **D25/48.3**

(58) **Field of Classification Search**
USPC D25/48.1, 48.3, 55, 60, 138, 119, 199
CPC E06B 7/32; E05F 1/1284; E05F 15/611;
E05F 15/76; E05F 15/77; E05B 47/0001;
E05Y 2900/132; A01K 31/02; A01K
31/10

See application file for complete search history.

Primary Examiner — Leanne Was-Englehart

(57) **CLAIM**

The ornamental design for a pet door, substantially as shown and described.

DESCRIPTION

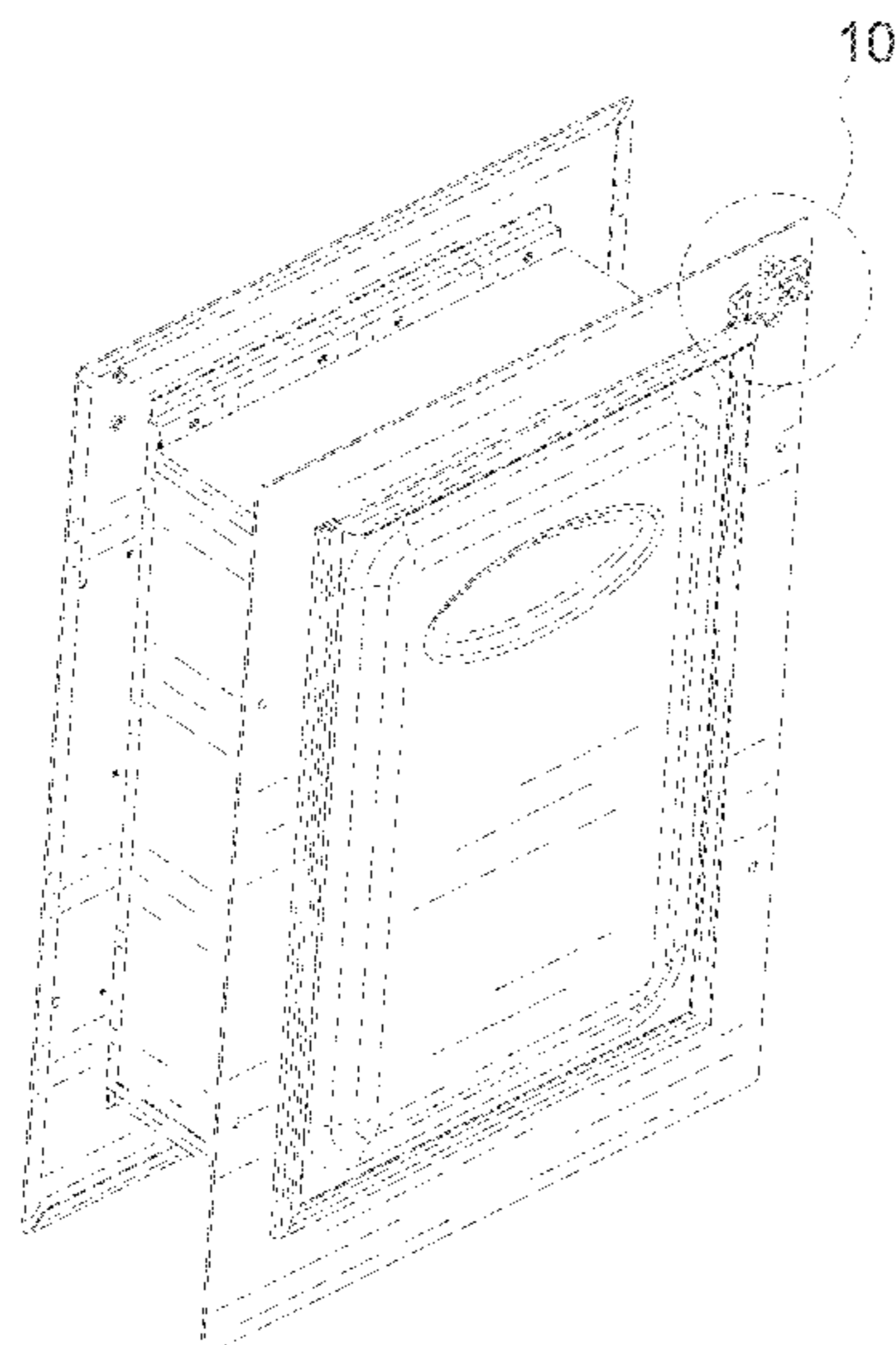
FIG. 1 is a top, front and left side perspective view of pet door, showing my new design;
FIG. 2 is a perspective view with open state of the door;
FIG. 3 is a bottom, rear and left side perspective view thereof;
FIG. 4 is a front elevational view thereof;
FIG. 5 is a rear elevational view thereof;
FIG. 6 is a left side elevational view thereof;
FIG. 7 is a right side elevational view thereof;
FIG. 8 is a top plan view thereof;
FIG. 9 is a bottom plan view thereof;
FIG. 10 is a partial enlarged view of FIG. 1;
FIG. 11 is a partial enlarged view of FIG. 2; and,
FIG. 12 is a partial enlarged view of FIG. 3.
The dot-dash broken line circles depict the limits of the enlarged views and form no part of the claimed design.
The broken lines depict portions of the pet door that form no part of the claimed design.

(56) **References Cited**

U.S. PATENT DOCUMENTS

2,758,646 A * 8/1956 Johnson E06B 7/32
160/90
3,184,803 A * 5/1965 Peel E06B 7/32
292/157
3,690,299 A * 9/1972 Johnson E06B 7/32
160/354
3,797,554 A * 3/1974 Johnson E06B 7/32
160/354
D267,436 S * 12/1982 Thorne D25/48.3
D334,431 S * 3/1993 Davlantes D25/60
D406,904 S * 3/1999 Sronce D25/48.3

1 Claim, 12 Drawing Sheets



(56)

References Cited

U.S. PATENT DOCUMENTS

D468,836 S 1/2003 McFee
6,681,524 B1* 1/2004 Tillson E06B 7/32
160/180
D507,660 S * 7/2005 Reid D25/48.3
D538,942 S * 3/2007 Grundy D30/119
D925,064 S * 7/2021 Yi D25/48.3
2013/0174618 A1* 7/2013 Brooks G07C 9/28
70/91
2016/0186485 A1* 6/2016 Taylor E05F 15/611
49/31
2018/0128043 A1* 5/2018 Liu G08B 1/08
2019/0234138 A1* 8/2019 Zacher E06B 7/32
2021/0180376 A1* 6/2021 Veronika E05C 19/16

OTHER PUBLICATIONS

Baboni Pet Door YouTube <https://www.youtube.com/watch?v=BFryWhi91dk> Aug. 29, 2021 (Year: 2021).*

* cited by examiner

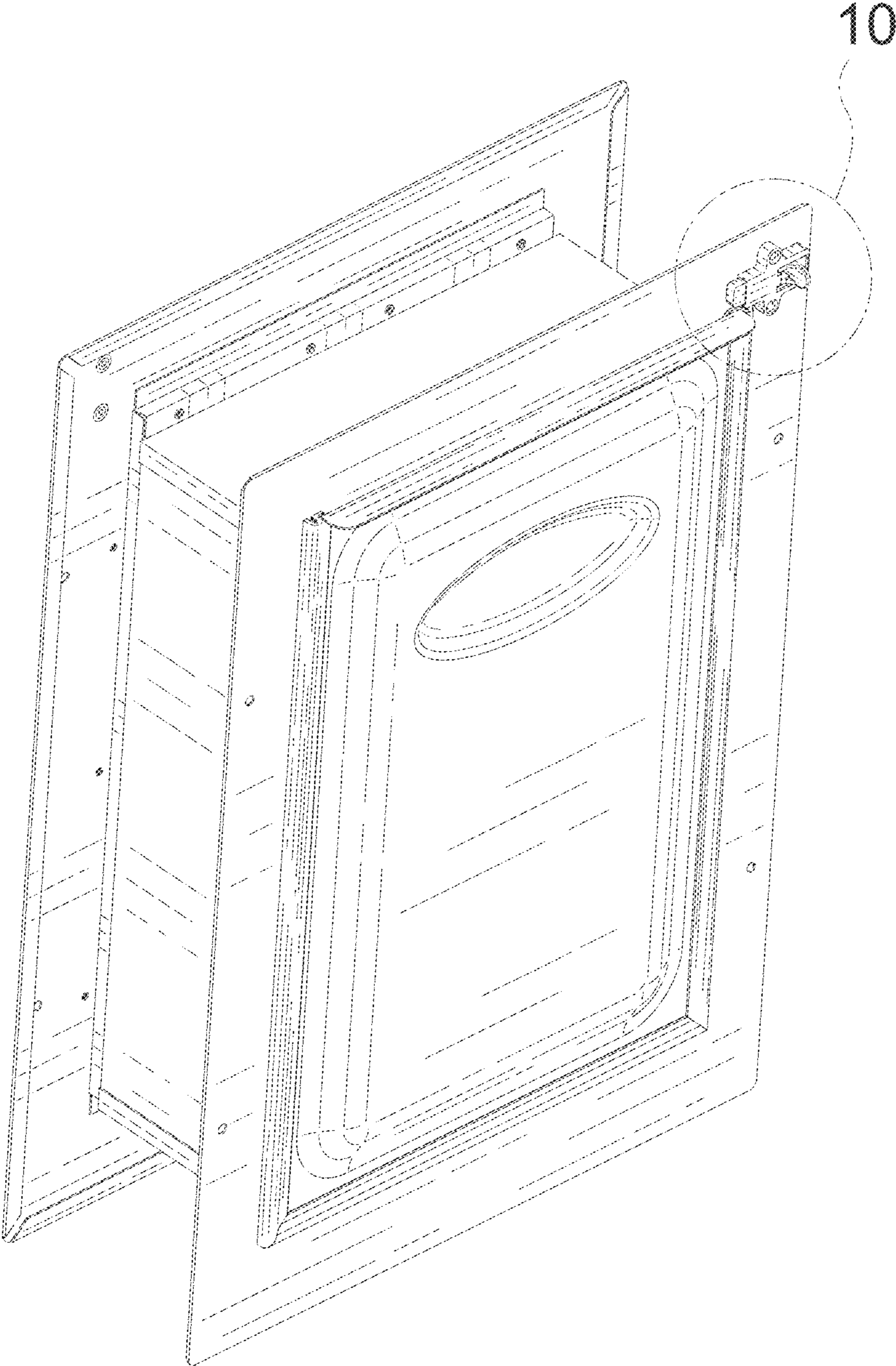


FIG. 1

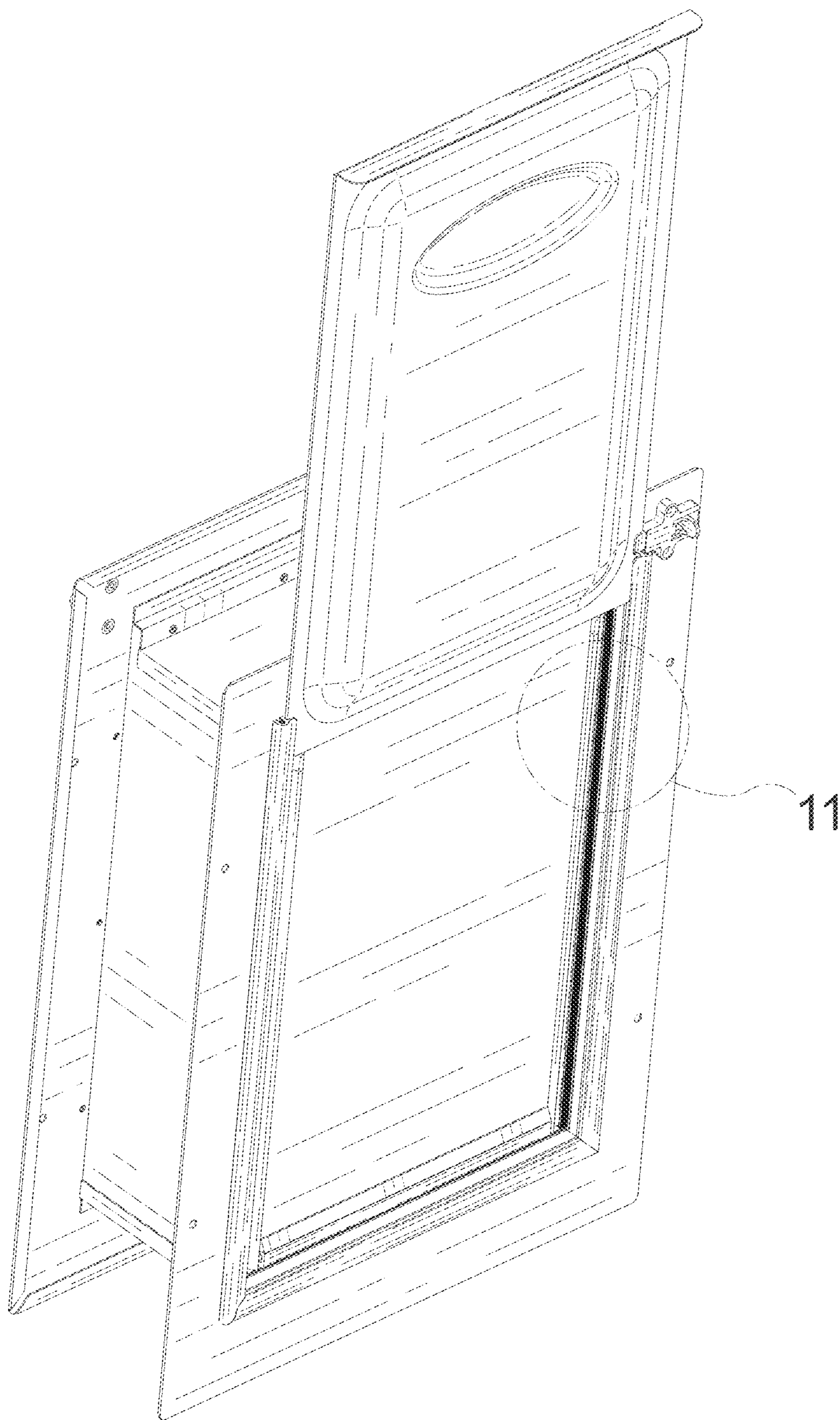


FIG. 2

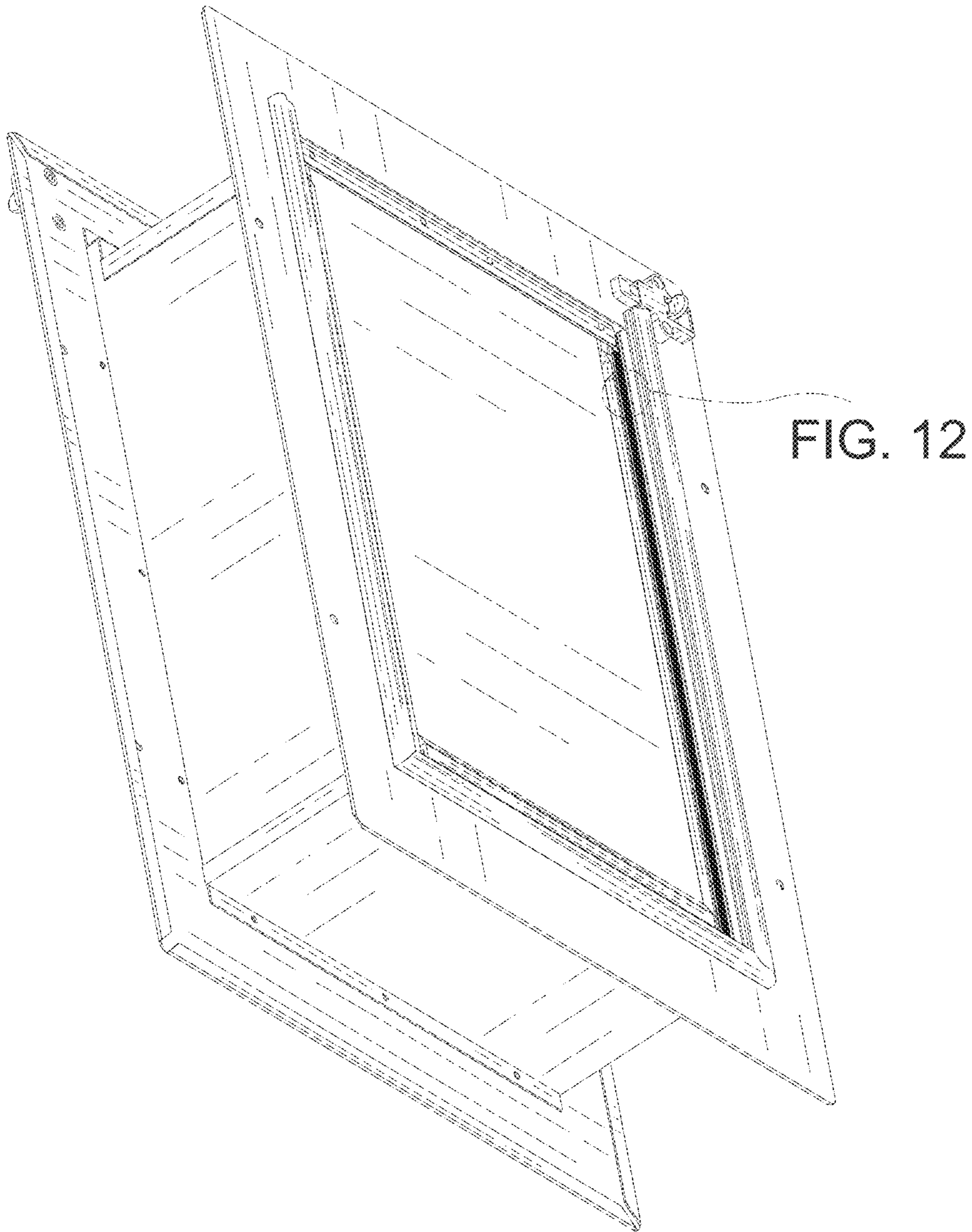


FIG. 12

FIG. 3

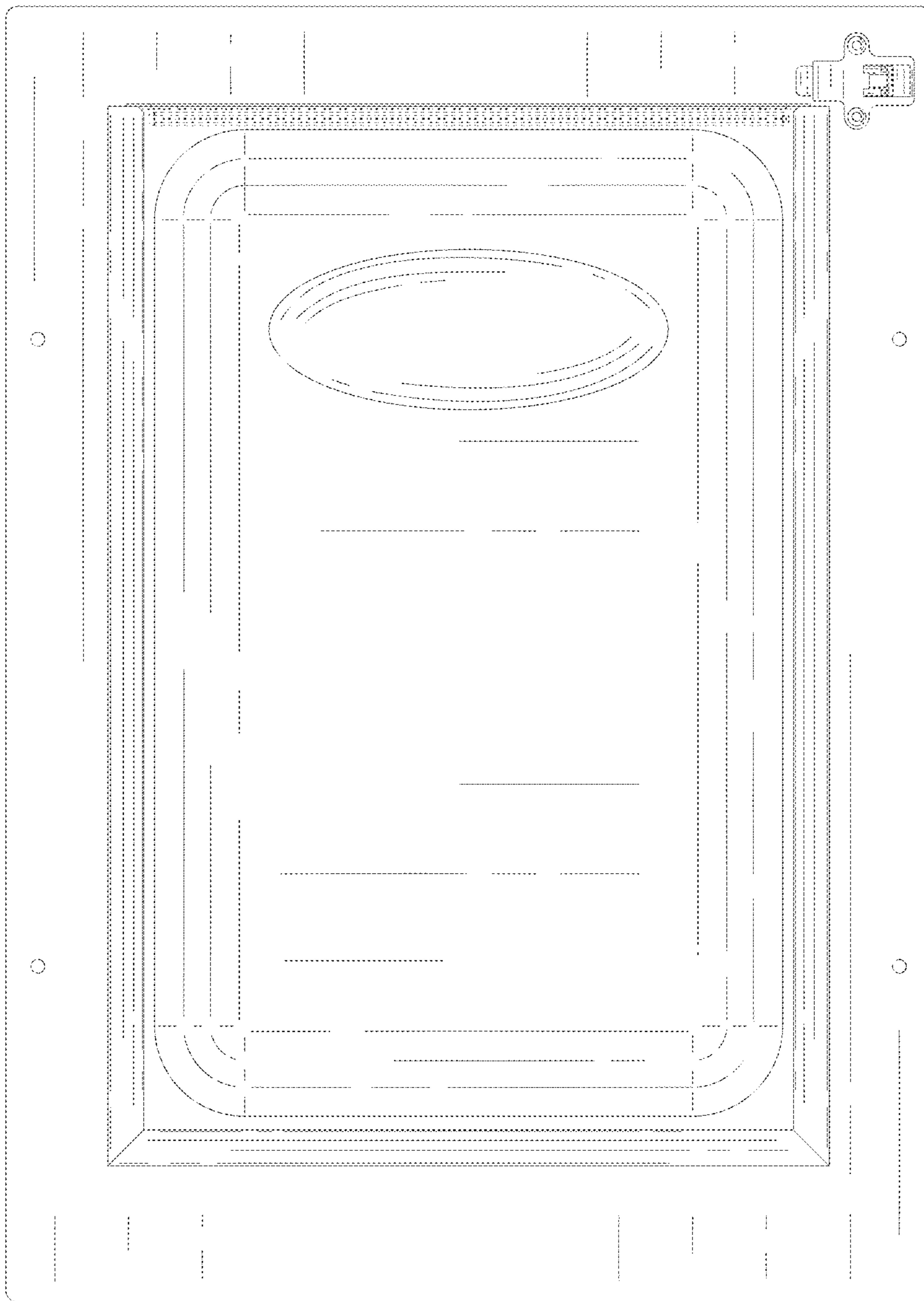


FIG. 4

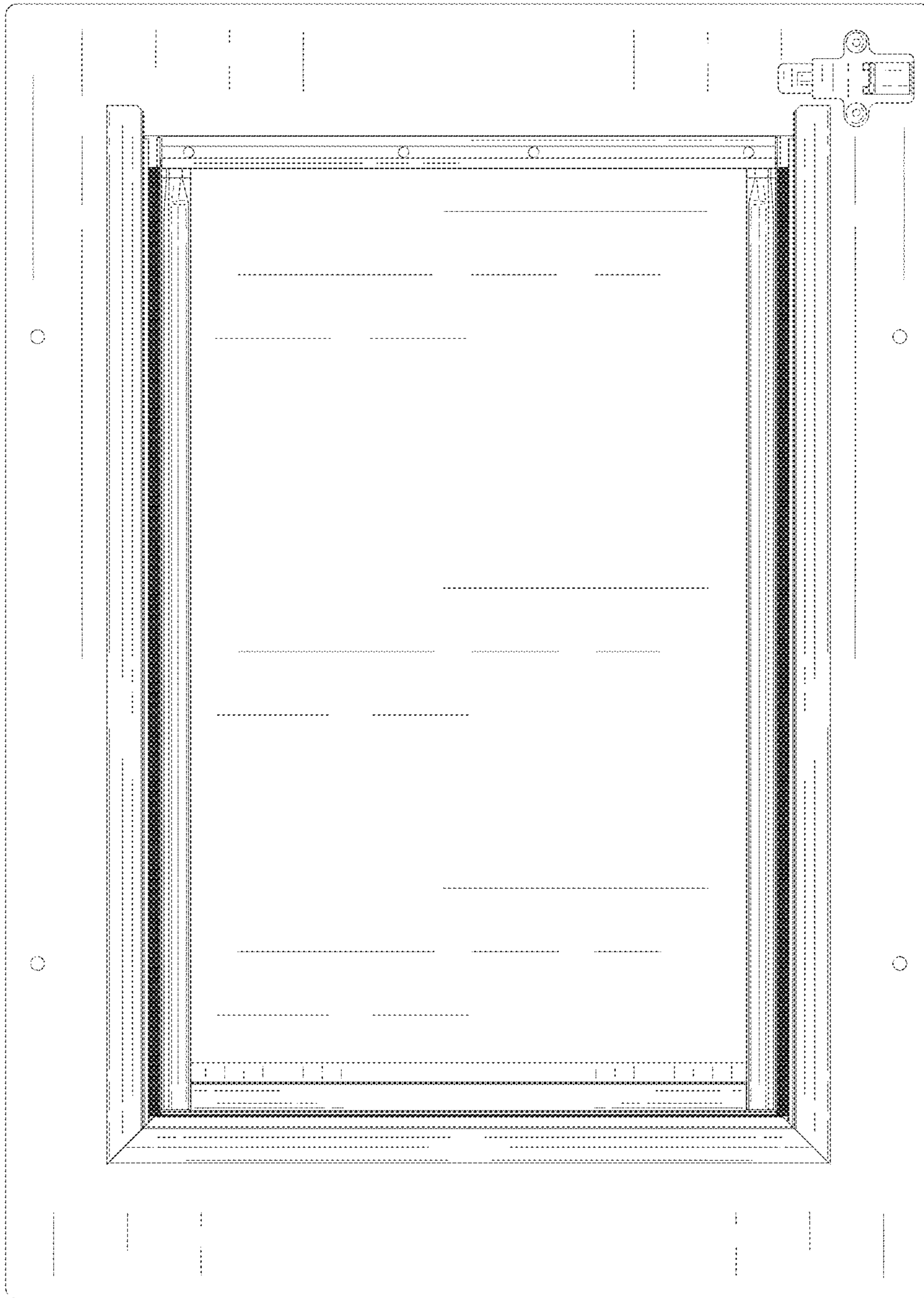


FIG. 5

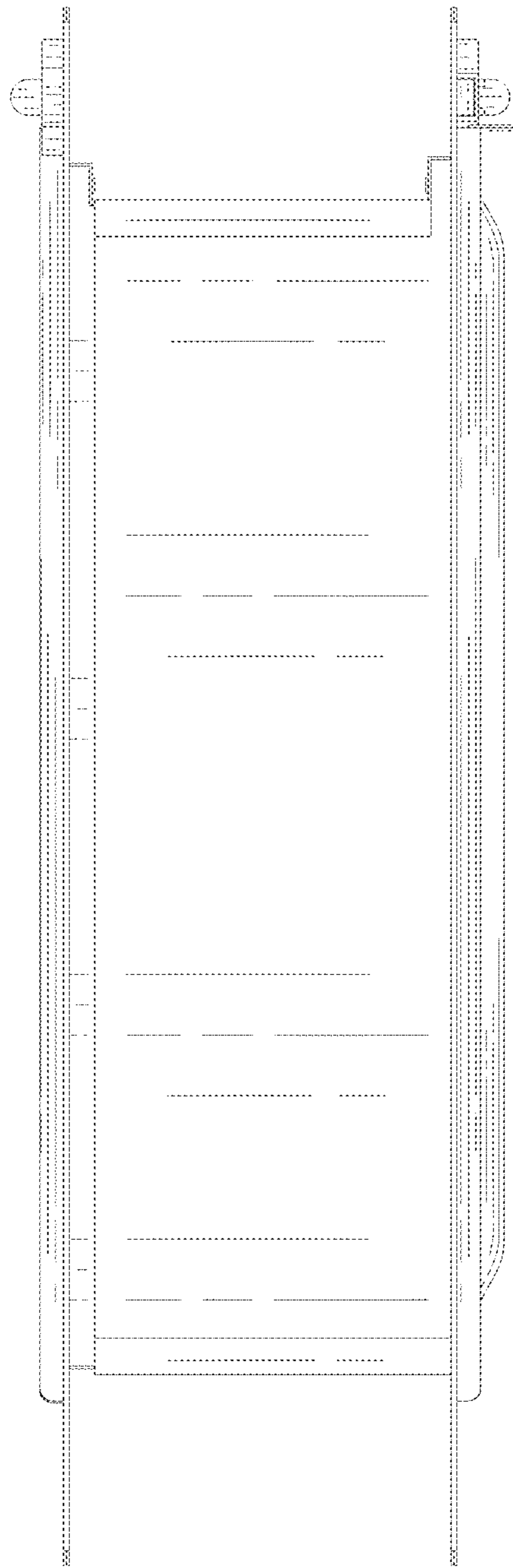


FIG. 6

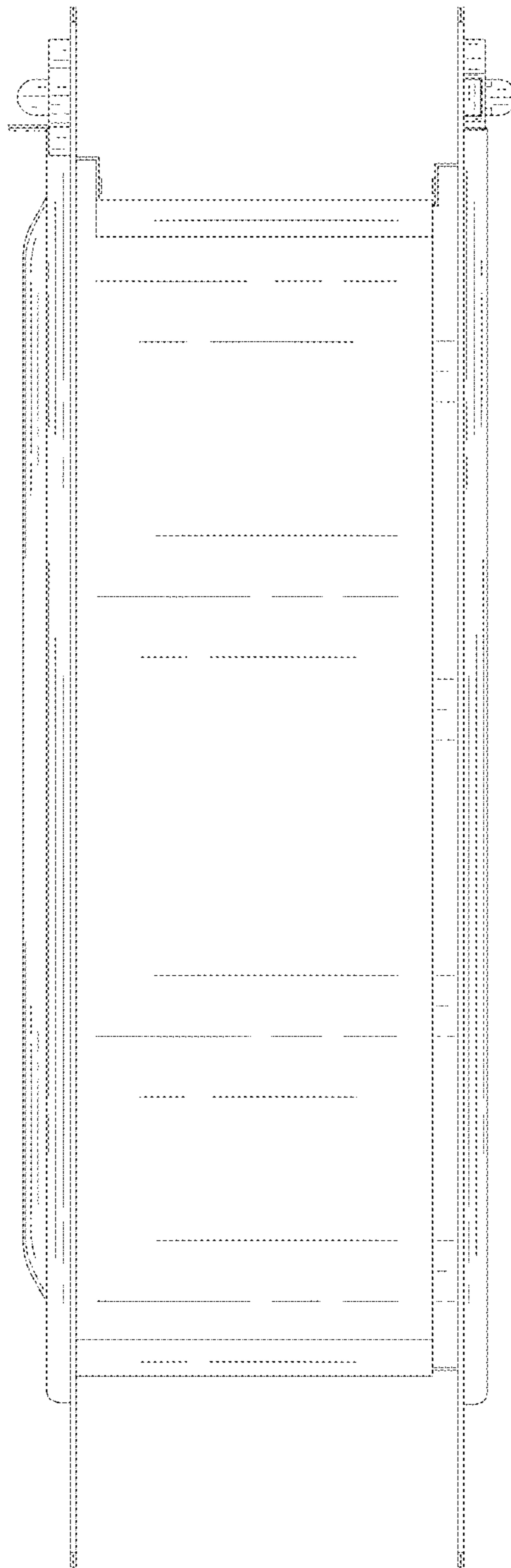


FIG. 7

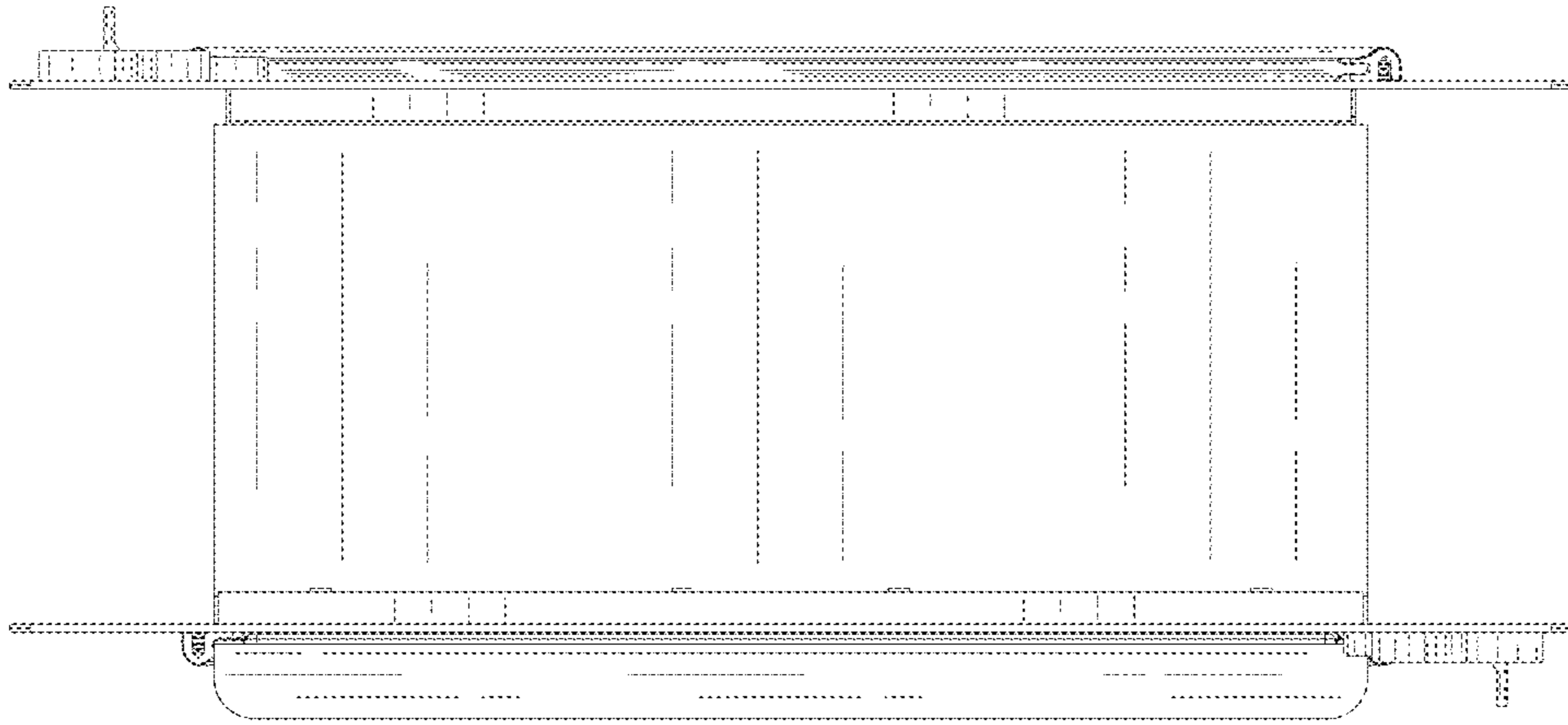


FIG. 8

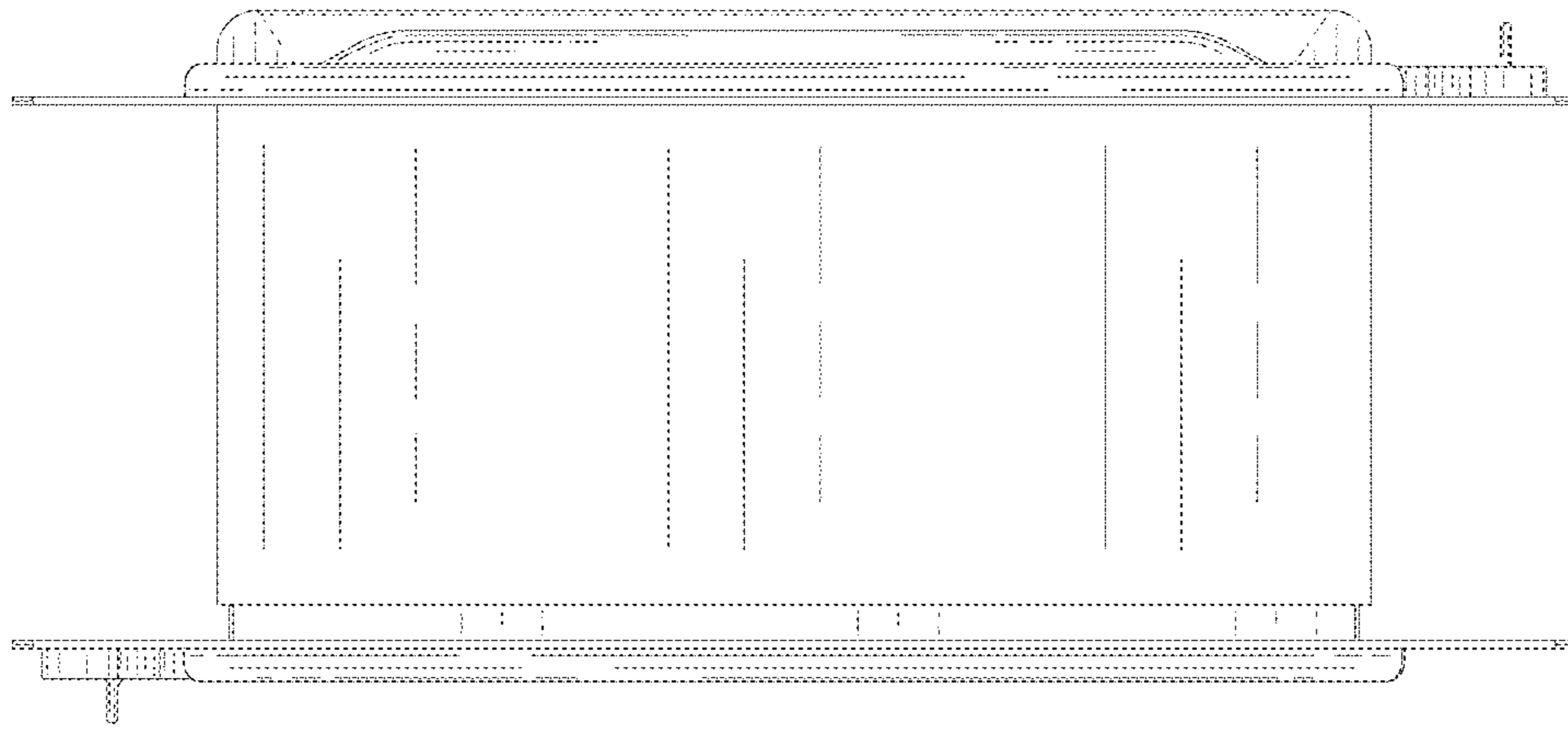


FIG. 9

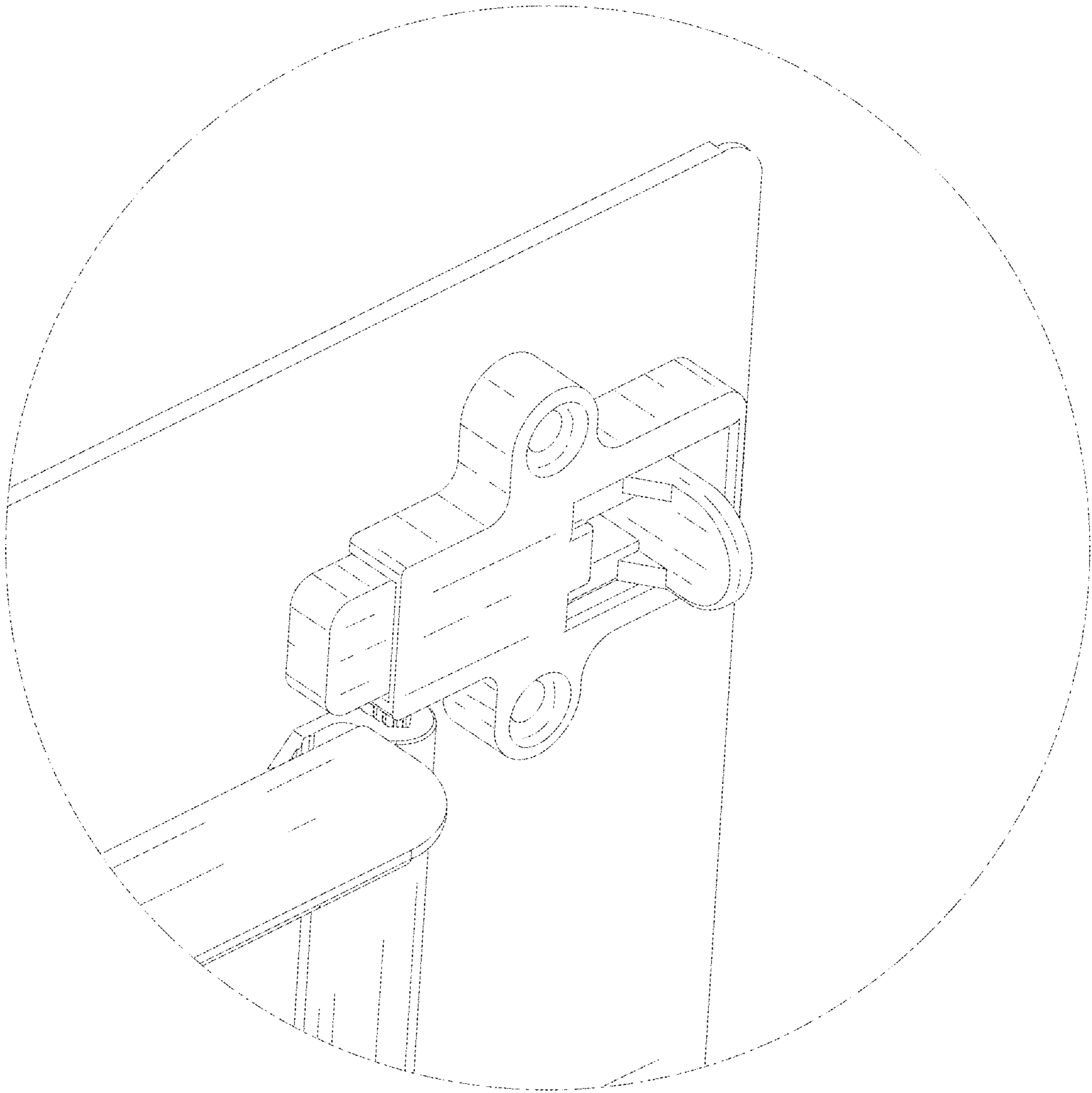


FIG. 10

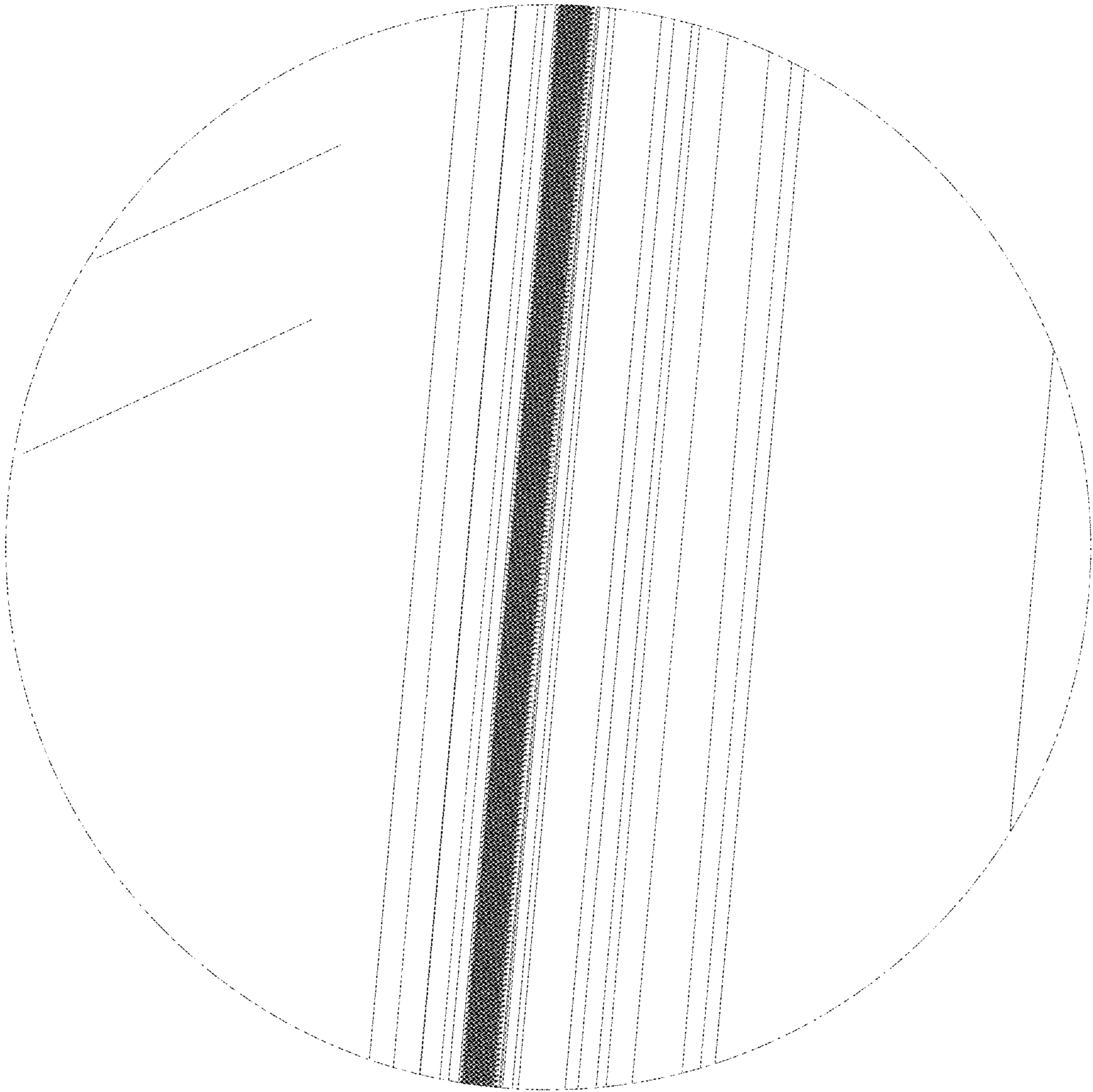


FIG. 11

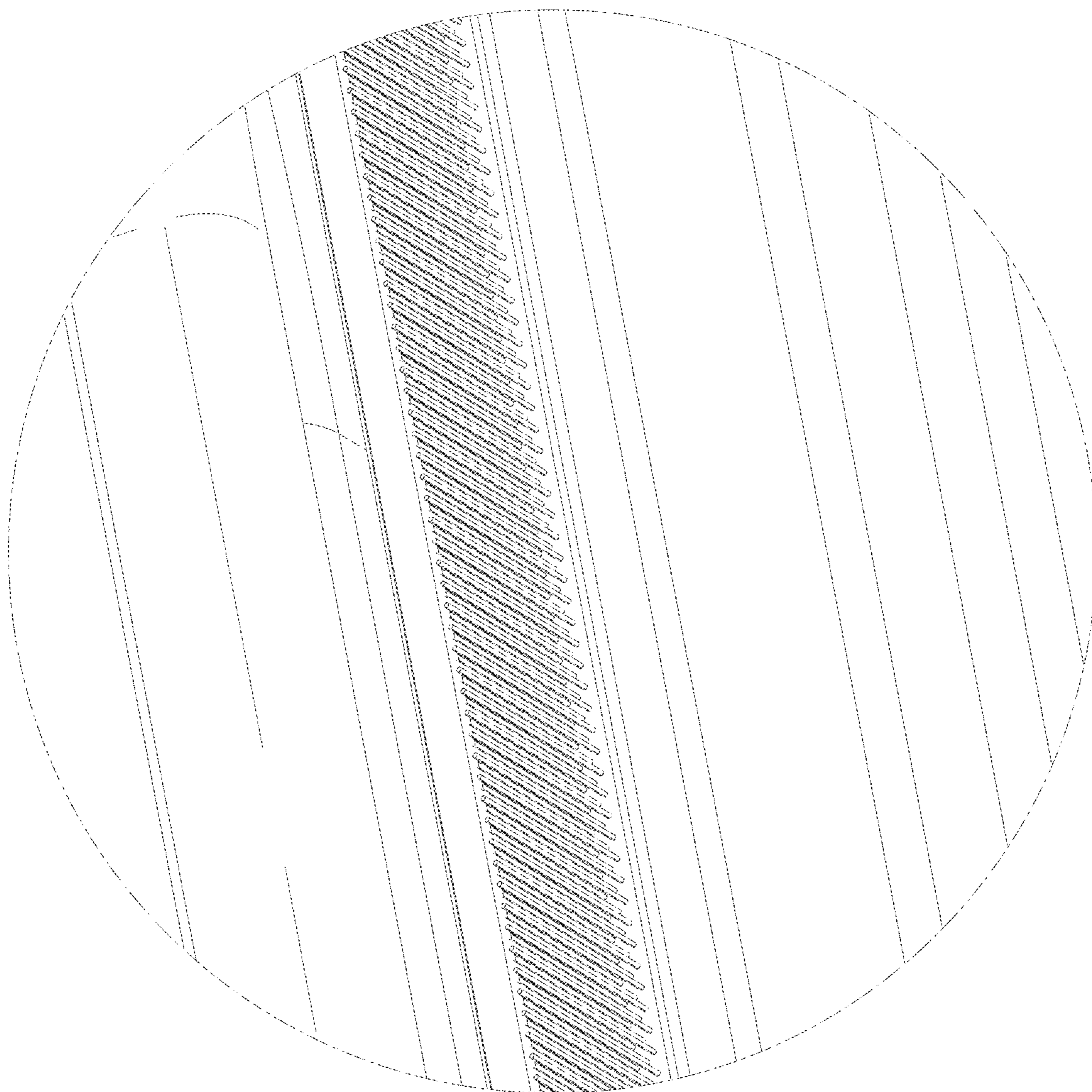


FIG. 12