



US00D972166S

(12) **United States Design Patent** (10) **Patent No.:** **US D972,166 S**  
**Whitehead et al.** (45) **Date of Patent:** **\*\* Dec. 6, 2022**

(54) **SHED**  
(71) Applicant: **Suncast Technologies, LLC**, Palm Beach Gardens, FL (US)  
(72) Inventors: **Stephen Whitehead**, Elgin, IL (US); **Torrence Anderson**, Overland Park, KS (US)

D530,114 S \* 10/2006 Nowotarski ..... D6/671.1  
D562,586 S \* 2/2008 Parker ..... D6/666  
D622,861 S \* 8/2010 Vogler ..... D25/33  
D639,450 S \* 6/2011 Vogler ..... D25/33  
D665,193 S \* 8/2012 Huffey ..... D6/666  
(Continued)

(73) Assignee: **Suncast Technologies, LLC**, Palm Beach Gardens, FL (US)

FOREIGN PATENT DOCUMENTS

CA 188243 \* 8/2020  
EM 002225391-0004 \* 7/2013  
EM 008147243-0001 \* 8/2020

(\*\*) Term: **15 Years**

OTHER PUBLICATIONS

(21) Appl. No.: **29/750,375**

Duramax Storeaway 850L Deck Box, Shed, Gray, available in windstopbridge.com, announced Year 2020 [online], [site visited Dec. 3, 2022], Internet URL: [https://windstopbridge.com/products/duramax-storeaway-850l-deck-box-shed-gray?\\_pos=6&\\_sid=4c4dab220&\\_ss=r](https://windstopbridge.com/products/duramax-storeaway-850l-deck-box-shed-gray?_pos=6&_sid=4c4dab220&_ss=r) (Year: 2020).\*

(22) Filed: **Sep. 14, 2020**

(51) **LOC (13) Cl.** ..... **25-03**

(52) **U.S. Cl.** ..... **D25/33; D6/671.1**

(58) **Field of Classification Search**  
USPC .... D25/1-35, 56-61, 139; D6/336, 666-671  
CPC .... E04H 1/02; E04H 5/08; E04H 5/10; E04H 15/02; E04H 15/34; E04H 1/12; E04H 2001/1294  
See application file for complete search history.

(Continued)

*Primary Examiner* — Brett Miller  
*Assistant Examiner* — Jasmine L. Comedy  
(74) *Attorney, Agent, or Firm* — McHale & Slavin, P.A.

(56) **References Cited**

(57) **CLAIM**

The ornamental design for a shed, as shown and described.

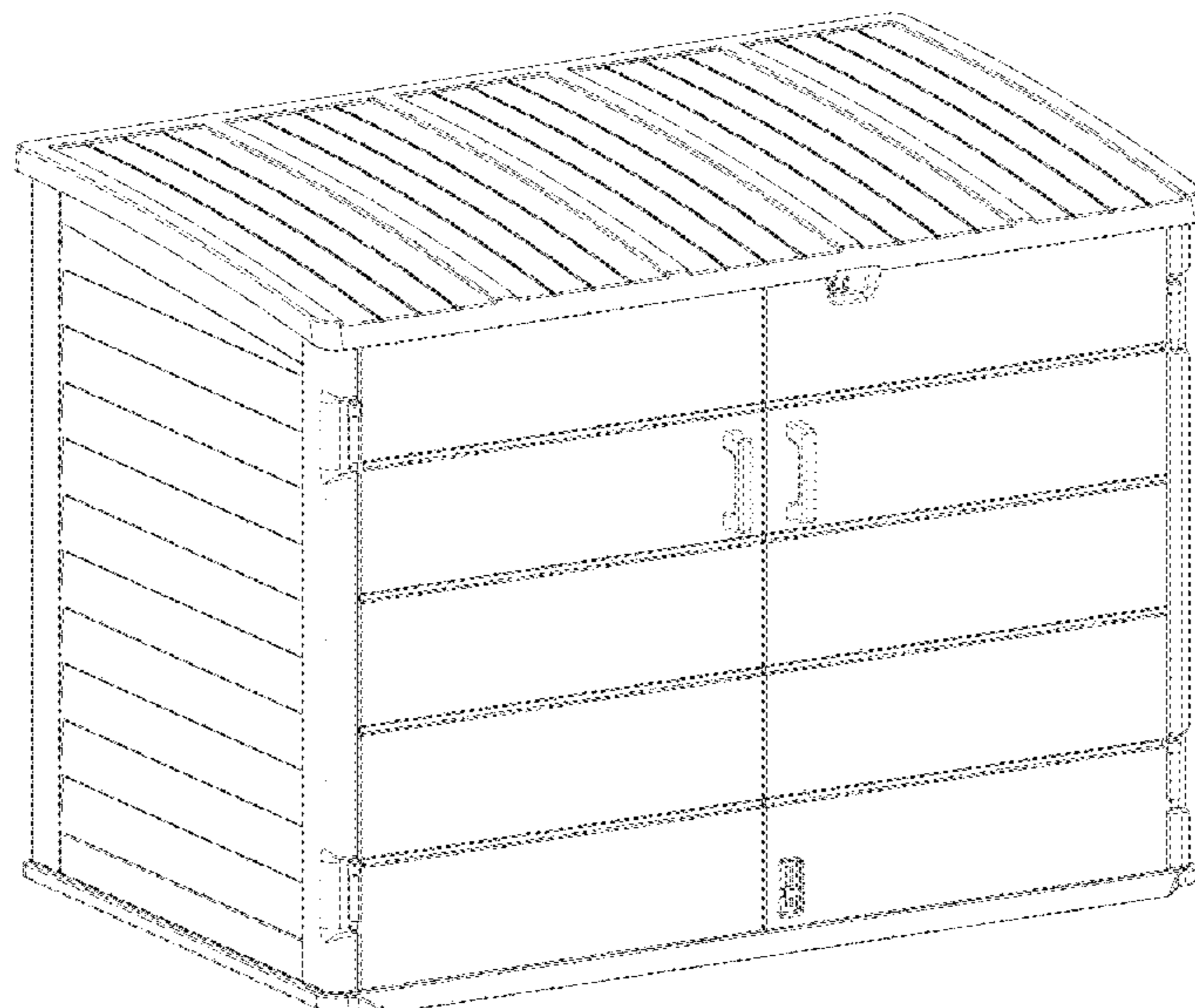
U.S. PATENT DOCUMENTS

**DESCRIPTION**

D165,397 S \* 12/1951 Robbins ..... D6/671.1  
D361,910 S \* 9/1995 Maple ..... D34/19  
D364,468 S \* 11/1995 Maple ..... D25/16  
D365,154 S \* 12/1995 Maple ..... D25/16  
D384,419 S \* 9/1997 Dickinson ..... D25/16  
D387,222 S \* 12/1997 Brunner ..... D6/669  
D389,646 S \* 1/1998 Sankey ..... D3/294  
D393,724 S \* 4/1998 Sagol ..... D25/16  
D455,501 S \* 4/2002 Greene ..... D25/33  
D468,026 S \* 12/2002 Tisbo ..... D25/33  
D468,833 S \* 1/2003 Tisbo ..... D25/33  
D469,188 S \* 1/2003 Tisbo ..... D25/33  
D479,882 S \* 9/2003 Tisbo ..... D25/33

FIG. 1 is a top front left perspective view of the shed of the present invention;  
FIG. 2 is a top front right perspective view thereof;  
FIG. 3 is a front view thereof;  
FIG. 4 is a rear view thereof;  
FIG. 5 is a left side view thereof;  
FIG. 6 is a right side view thereof; and,  
FIG. 7 is a top view thereof.  
The portions of the shed illustrated in broken lines form no portion of the claim for the shed.

**1 Claim, 7 Drawing Sheets**



(56)

**References Cited**

## U.S. PATENT DOCUMENTS

D688,806 S \* 8/2013 Phillips ..... D25/33  
D689,197 S \* 9/2013 Thuma ..... D25/33  
D689,622 S \* 9/2013 Thuma ..... D25/33  
D691,285 S \* 10/2013 Thuma ..... D25/33  
D711,165 S \* 8/2014 Phillips ..... D6/671  
D728,824 S \* 5/2015 McKimmy ..... D25/33  
D730,541 S \* 5/2015 Phillips ..... D25/33  
D767,921 S \* 10/2016 Burden ..... D6/671.1  
D788,499 S \* 6/2017 Anderson ..... D6/667  
D870,494 S \* 12/2019 Leng ..... D6/667  
D870,495 S \* 12/2019 Guo ..... D6/671  
D914,402 S \* 3/2021 Xiao ..... D6/667  
D914,403 S \* 3/2021 Xiao ..... D6/667  
D914,404 S \* 3/2021 Xiao ..... D6/667  
D932,650 S \* 10/2021 Leng ..... D25/33  
D937,438 S \* 11/2021 Simonetti ..... D6/671.1  
D937,439 S \* 11/2021 Simonetti ..... D6/671.1  
D946,322 S \* 3/2022 Leng ..... D6/671.1

## OTHER PUBLICATIONS

Covington Horizontal Shed, available in [suncast.com](https://www.suncast.com), announced Year 2014 [online], [site visited Feb. 7, 2022], Internet URL: <https://www.suncast.com/34-cu-ft-covingtonr-horizontal-shed.html> (Year: 2014).\*

Rubbermaid Large Horizontal Resin Weather Resistant Outdoor Storage Shed, available in [Amazon.com](https://www.amazon.com), customer review oldest date 2017 [online], [site visited Feb. 7, 2022], Available from the internet URL: [https://www.amazon.com/dp/B000L0FDLA/ref=cm\\_sw\\_em\\_r\\_mt\\_dp\\_RSEMYDZ8W5C73JGMAHAB](https://www.amazon.com/dp/B000L0FDLA/ref=cm_sw_em_r_mt_dp_RSEMYDZ8W5C73JGMAHAB) (Year: 2017).\*

\* cited by examiner

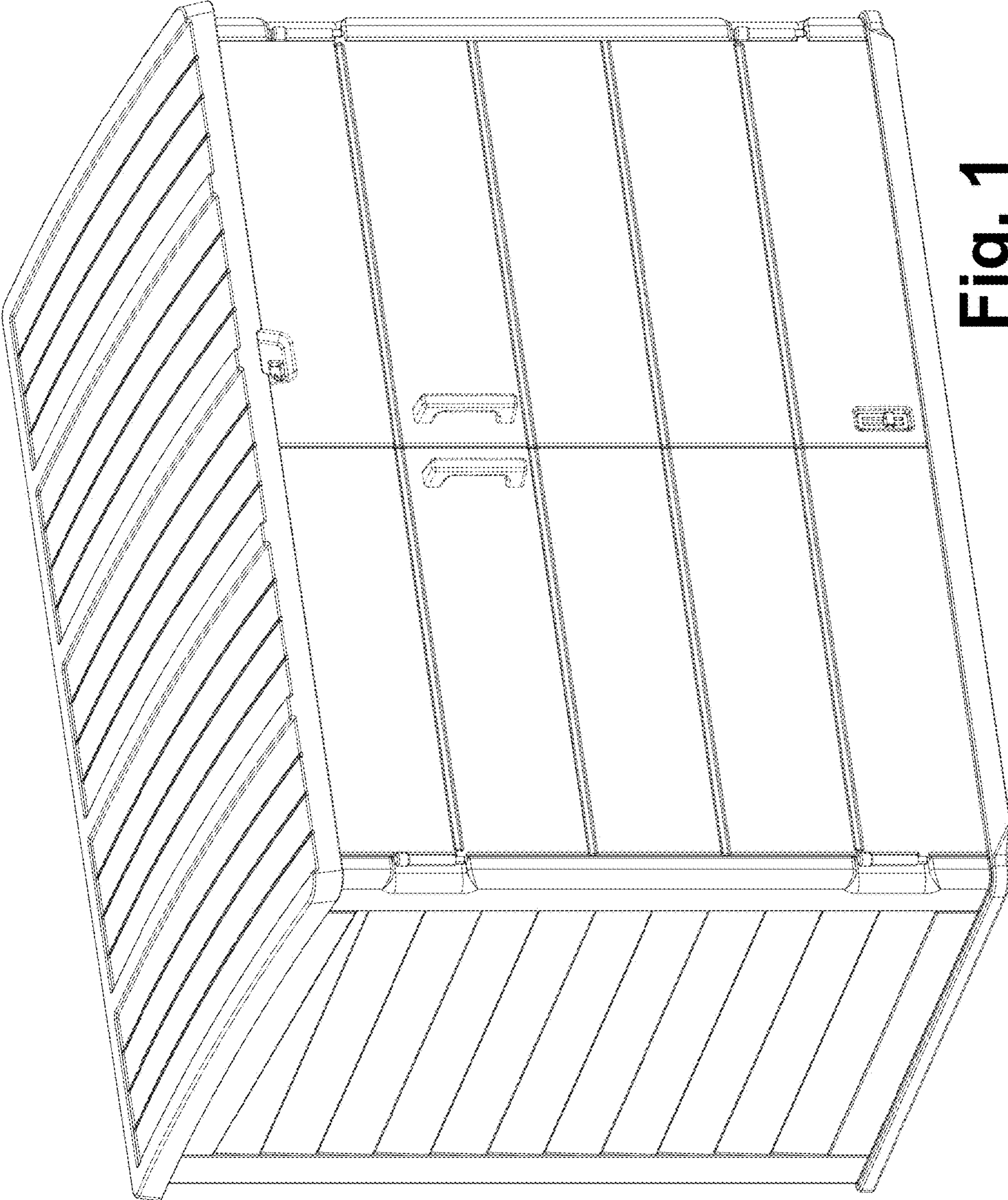


Fig. 1

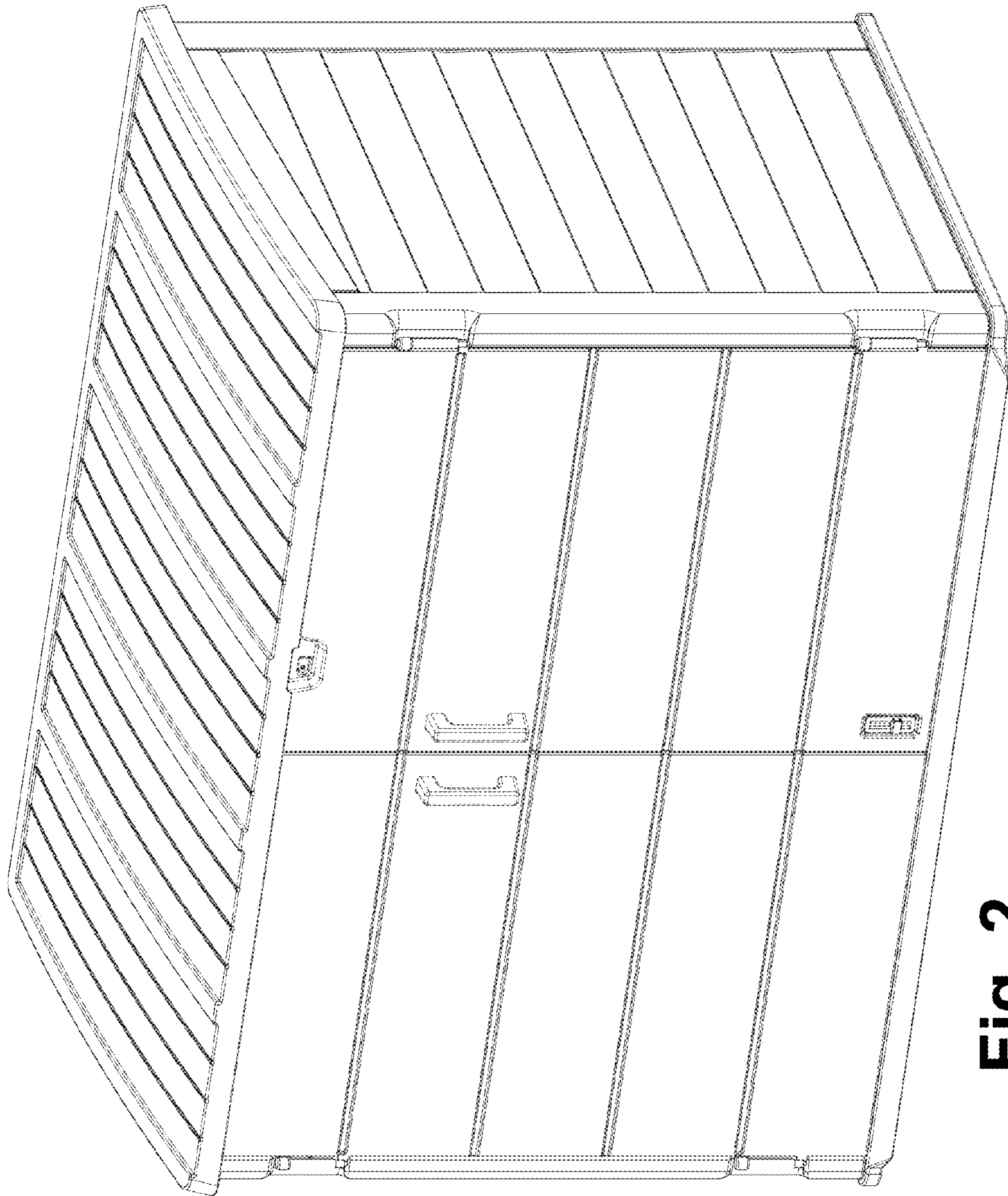


Fig. 2

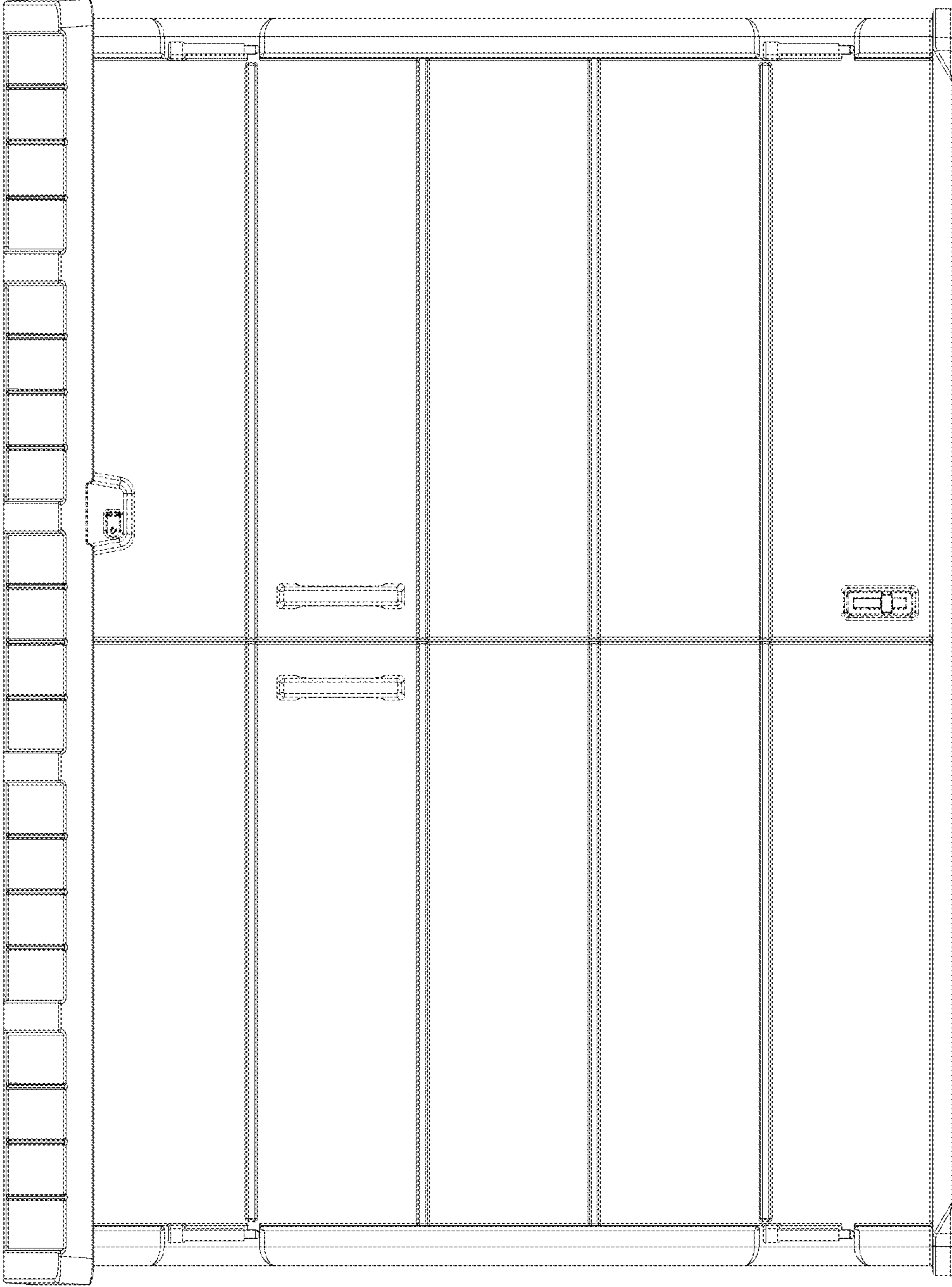


Fig. 3

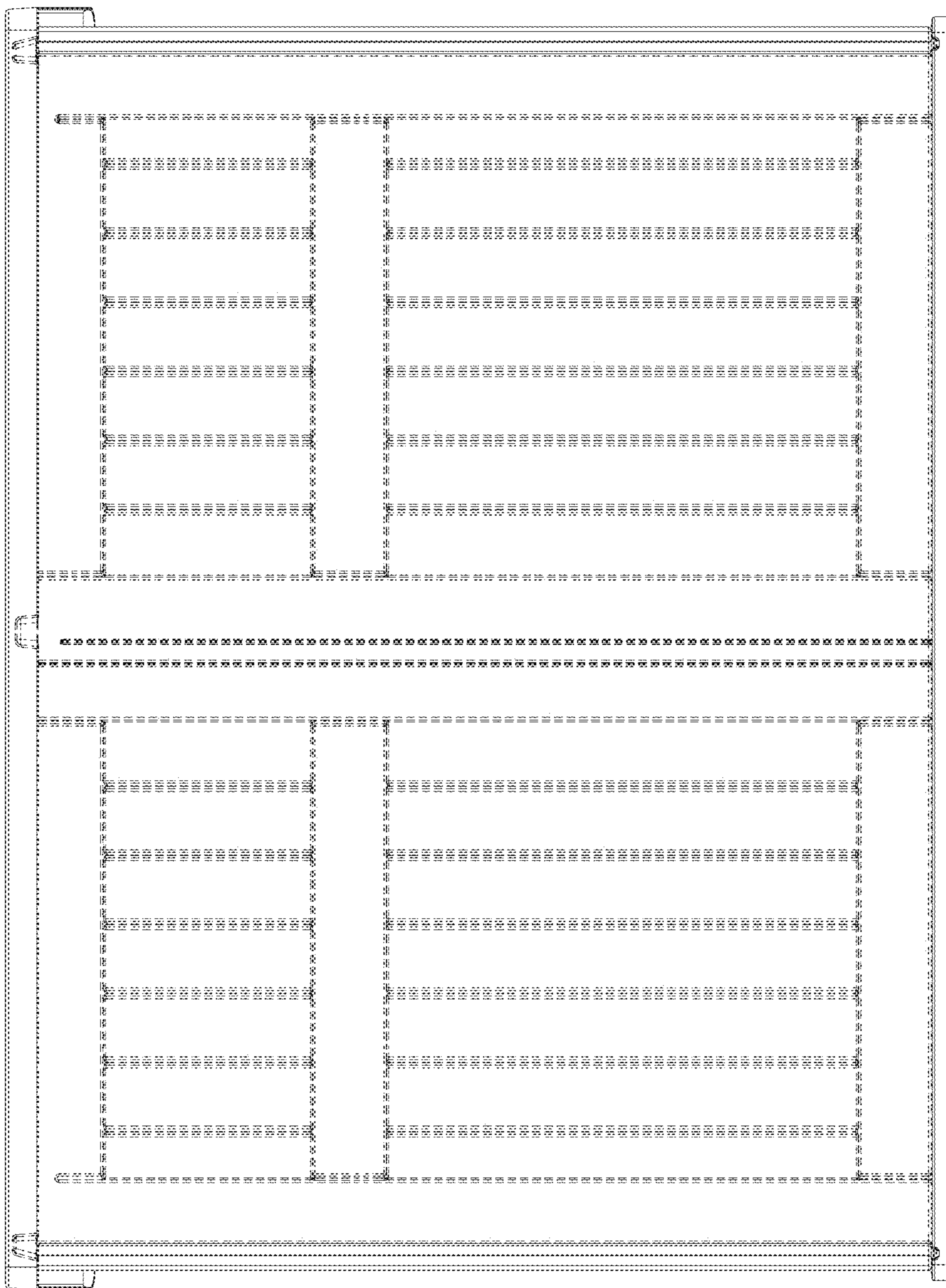


Fig. 4

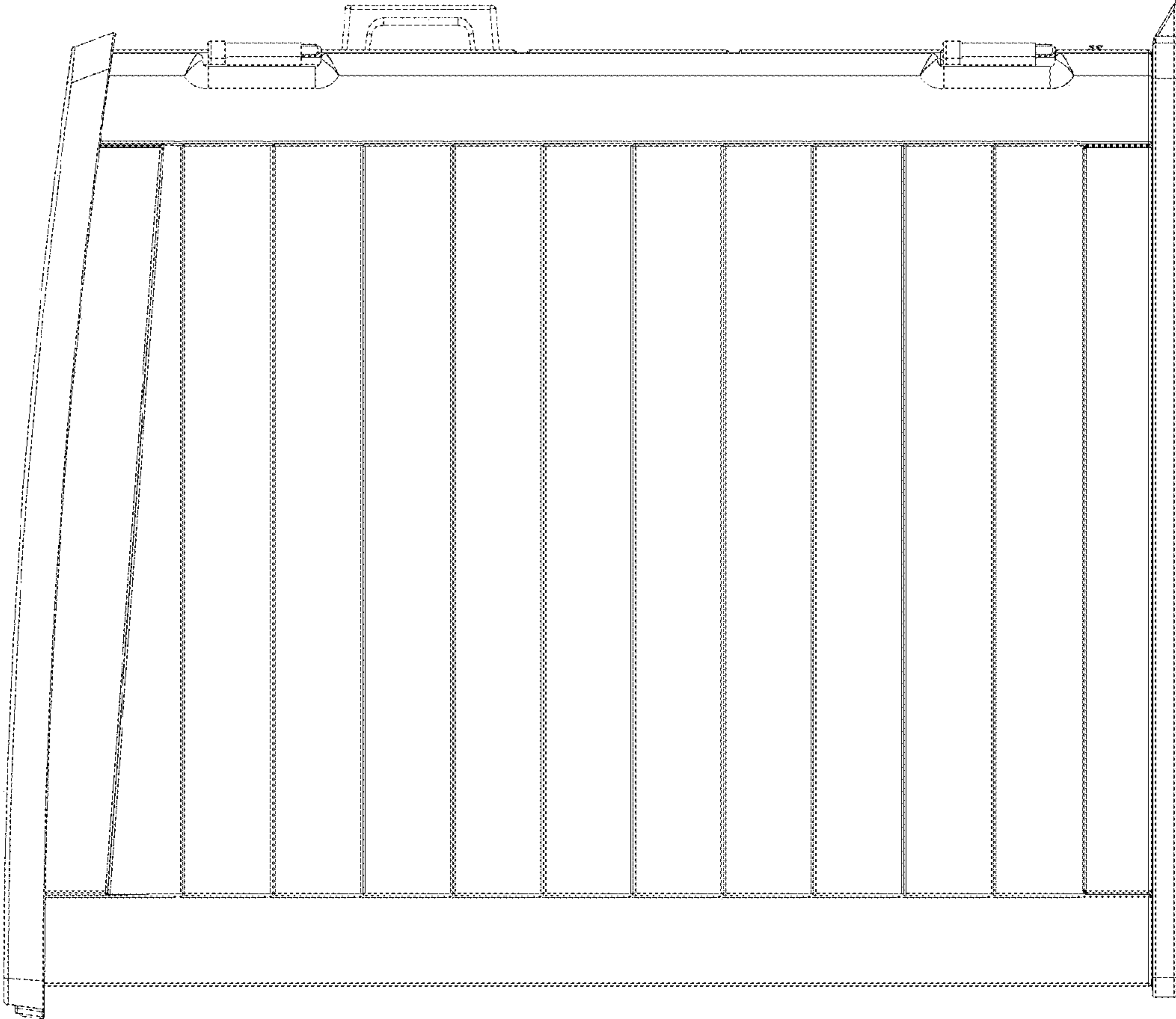


Fig. 5

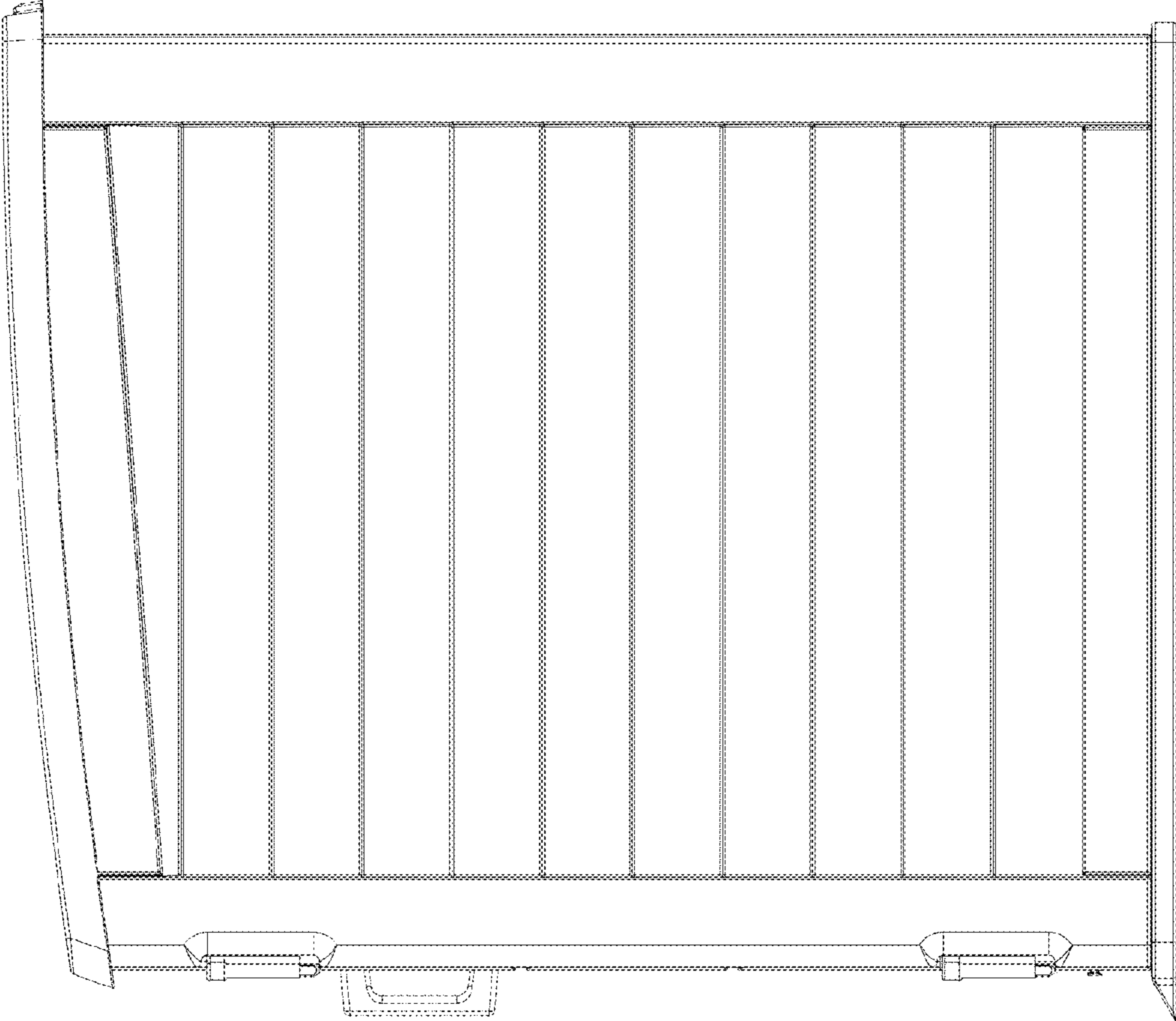


Fig. 6





**Fig. 7**