



US00D972165S

(12) **United States Design Patent**
Yang

(10) **Patent No.:** **US D972,165 S**

(45) **Date of Patent:** **** Dec. 6, 2022**

(54) **DISINFECTION BOX**

(71) Applicant: **XIAMEN BABY PRETTY PRODUCTS CO., LTD.**, Xiamen (CN)

(72) Inventor: **Jianbo Yang**, Xiamen (CN)

(73) Assignee: **XIAMEN BABY PRETTY PRODUCTS CO., LTD.**, Xiamen (CN)

(**) Term: **15 Years**

(21) Appl. No.: **29/795,478**

(22) Filed: **Jun. 18, 2021**

(30) **Foreign Application Priority Data**

Dec. 18, 2020 (CN) 202030780921.0

(51) **LOC (13) Cl.** **24-01**

(52) **U.S. Cl.**
USPC **D24/217**

(58) **Field of Classification Search**

USPC D24/216, 217, 218, 219, 231, 232, 234,
D24/209, 210; D32/1; D3/294

CPC A61L 2/26; A61L 2/24; A61L 2/07; A61L
2/08; A61L 2/18; A61L 2/25; A61L
2202/122; A61L 2202/11; A61L 2202/14;
A61L 2202/23; A61L 2202/24; A61L
2202/25

See application file for complete search history.

(56) **References Cited**

U.S. PATENT DOCUMENTS

D925,762 S * 7/2021 LaPorte D24/217
D952,894 S * 5/2022 Zhang D24/217

D953,980 S * 6/2022 Shang D24/217
11,369,704 B2 * 6/2022 Winslow A61L 2/26
2020/0405899 A1 * 12/2020 Yang A61L 2/26
2021/0316023 A1 * 10/2021 Lin A61L 2/26
2022/0194658 A1 * 6/2022 Yang A61L 2/10

* cited by examiner

Primary Examiner — Anhdao Doan

(74) *Attorney, Agent, or Firm* — Bayramoglu Law Offices LLC

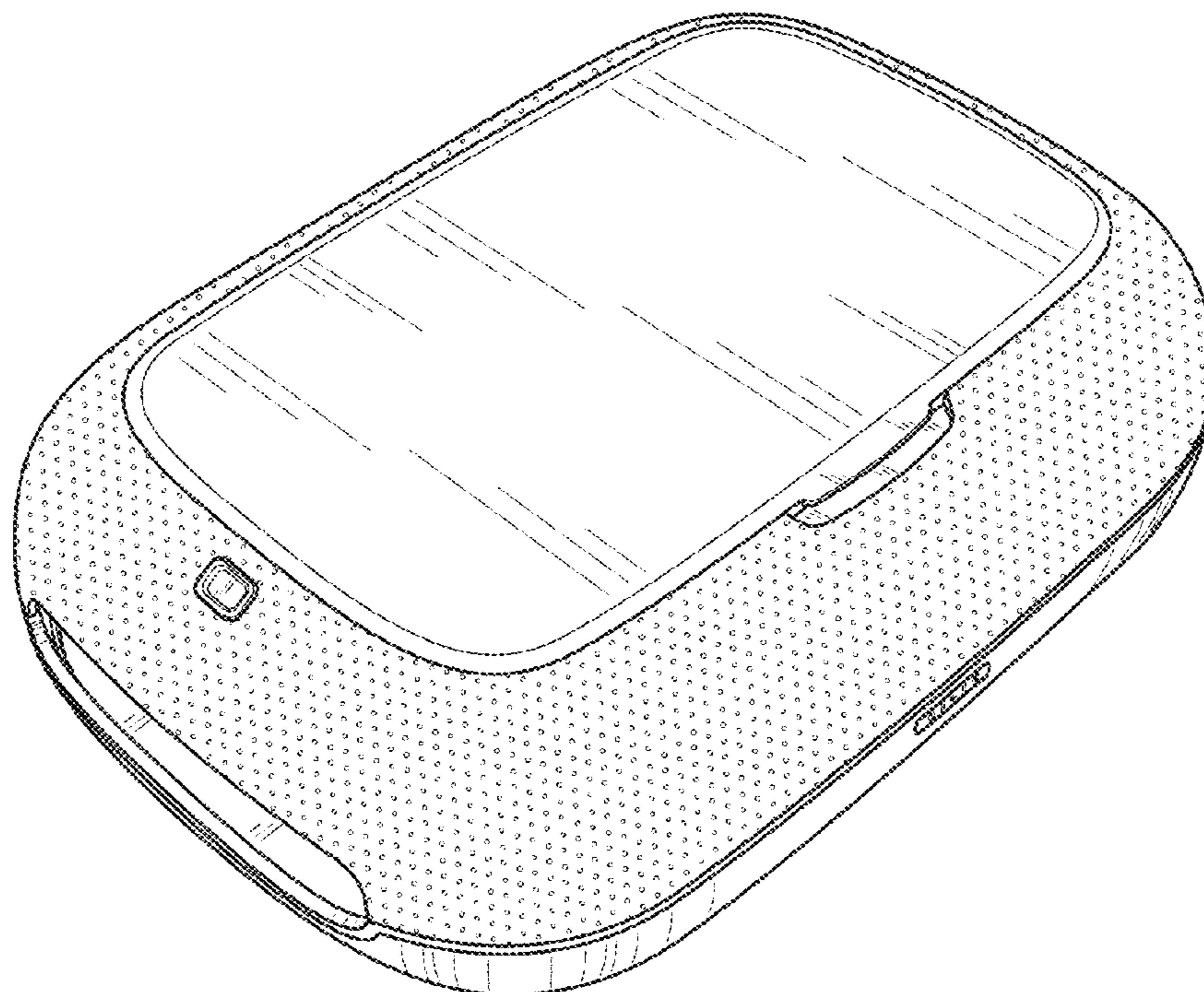
(57) **CLAIM**

The ornamental design for a disinfection box, as shown and described.

DESCRIPTION

FIG. 1 is a top perspective view of a disinfection box showing my new design;
FIG. 2 is a front view thereof;
FIG. 3 is a rear view thereof;
FIG. 4 is a left side view thereof, a right side view being a mirror image of the left side view;
FIG. 5 is a top view thereof;
FIG. 6 is a bottom view thereof;
FIG. 7 is another front view thereof in an open configuration; and,
FIG. 8 is another top perspective view thereof in the open configuration.

1 Claim, 8 Drawing Sheets



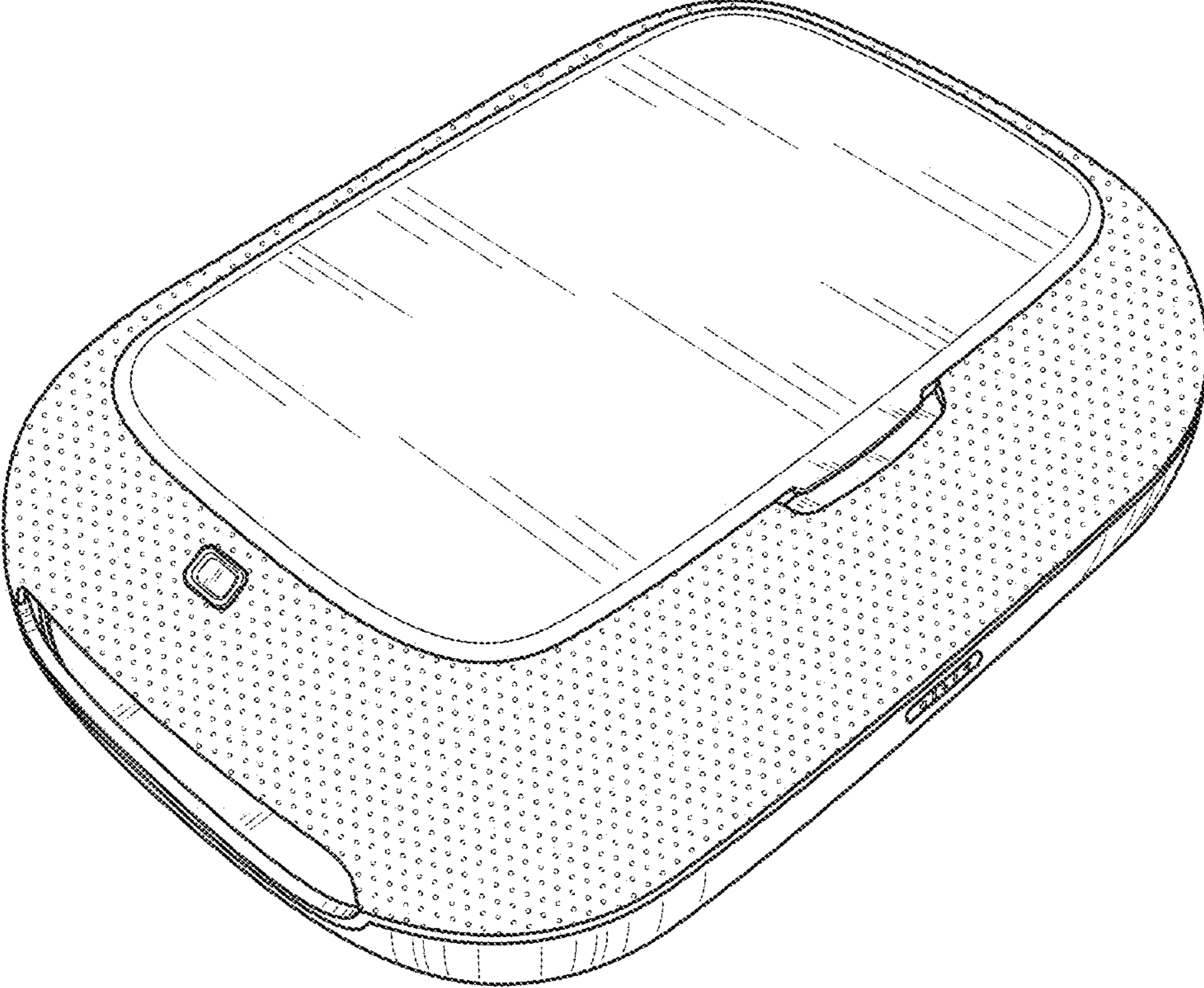


Fig. 1

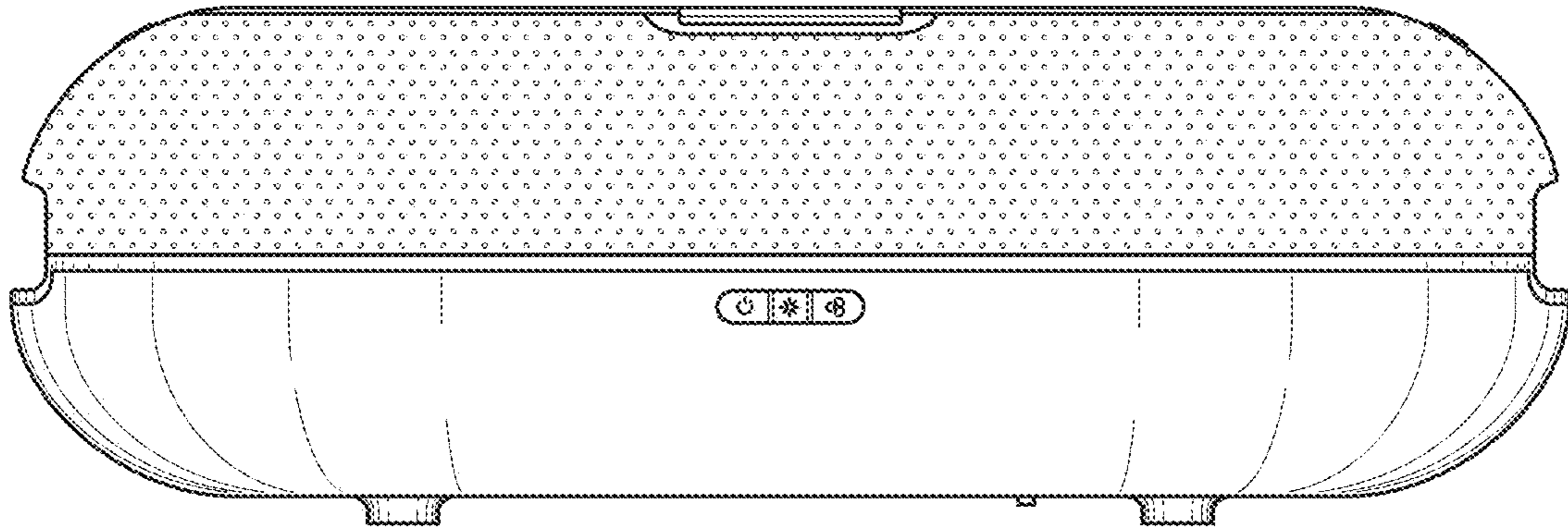


Fig. 2

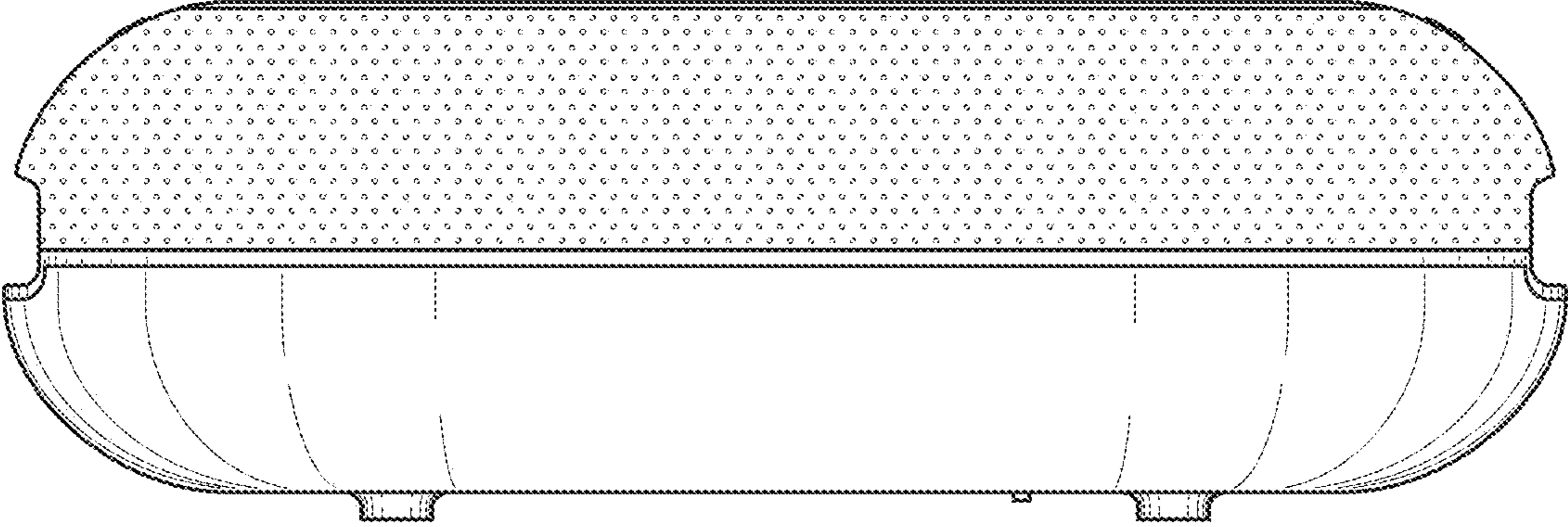


Fig. 3

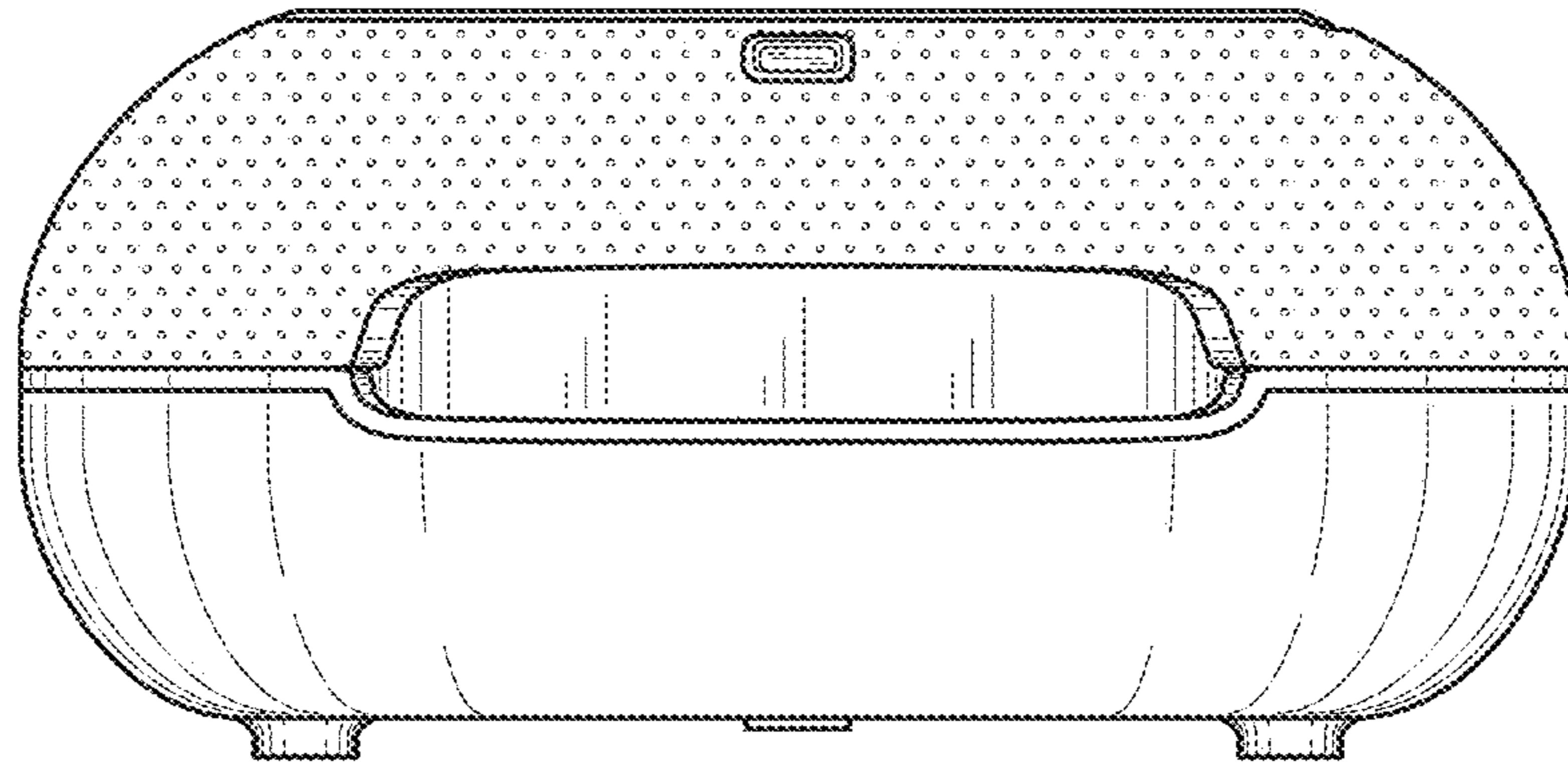


Fig. 4

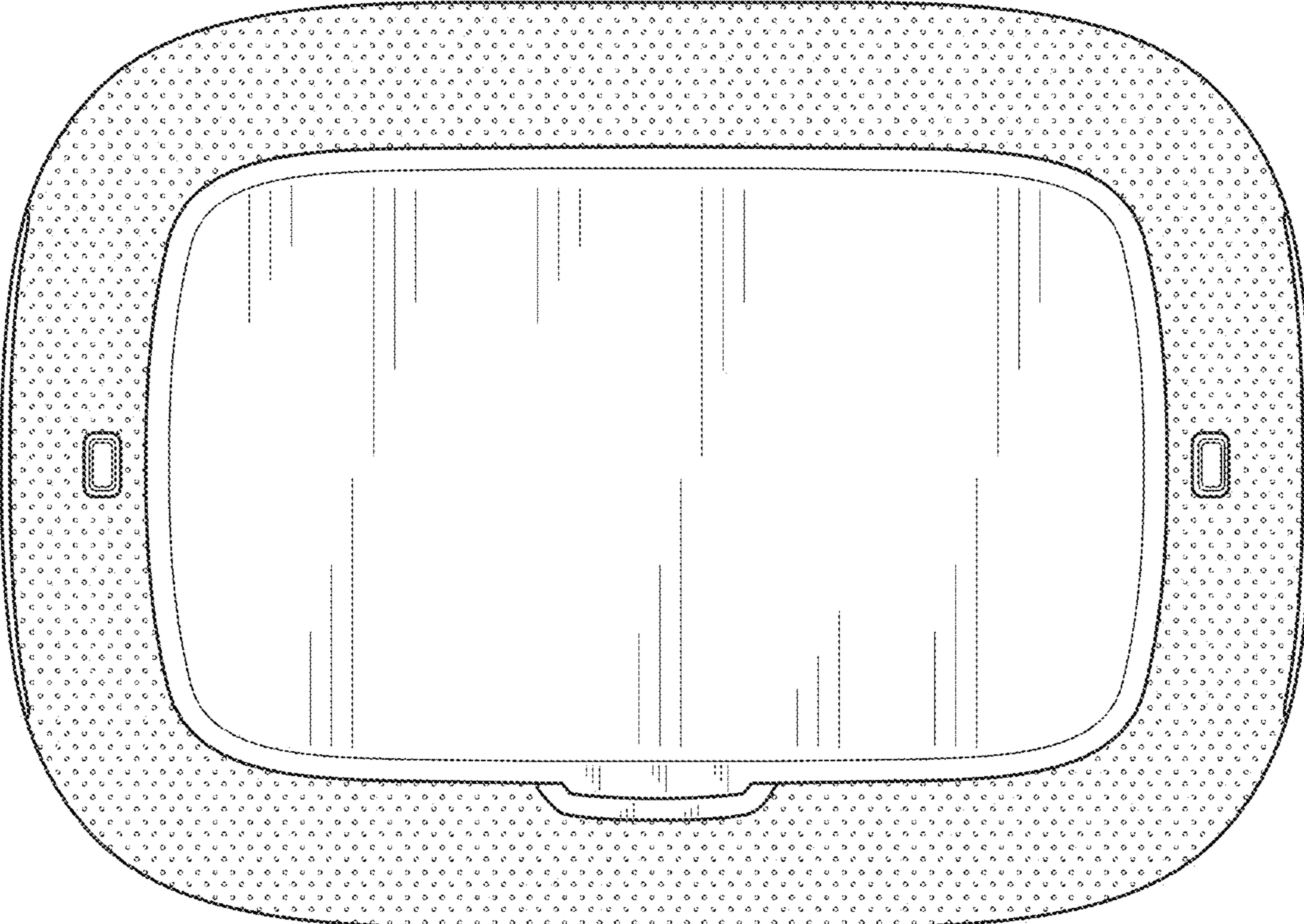


Fig. 5

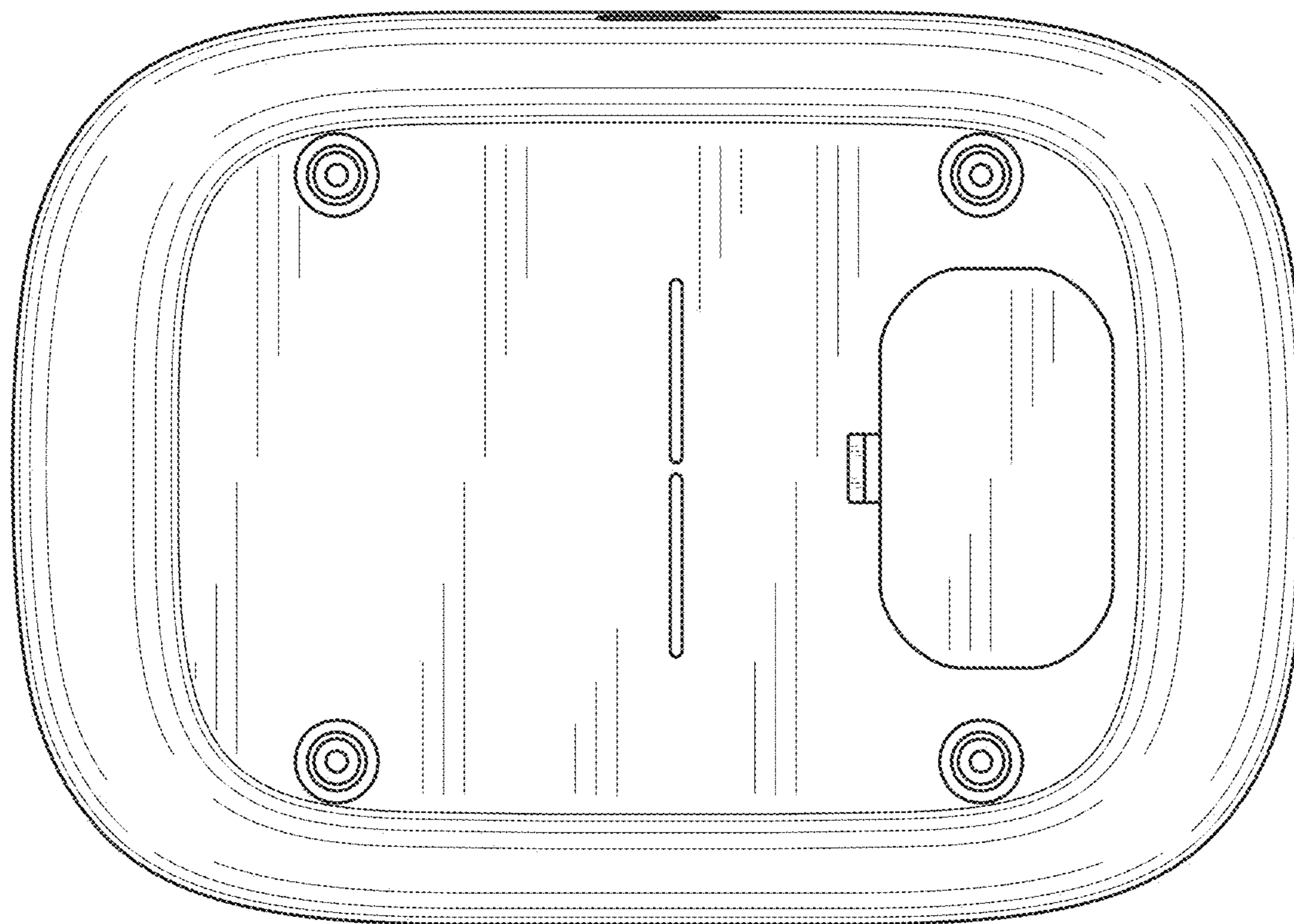


Fig. 6

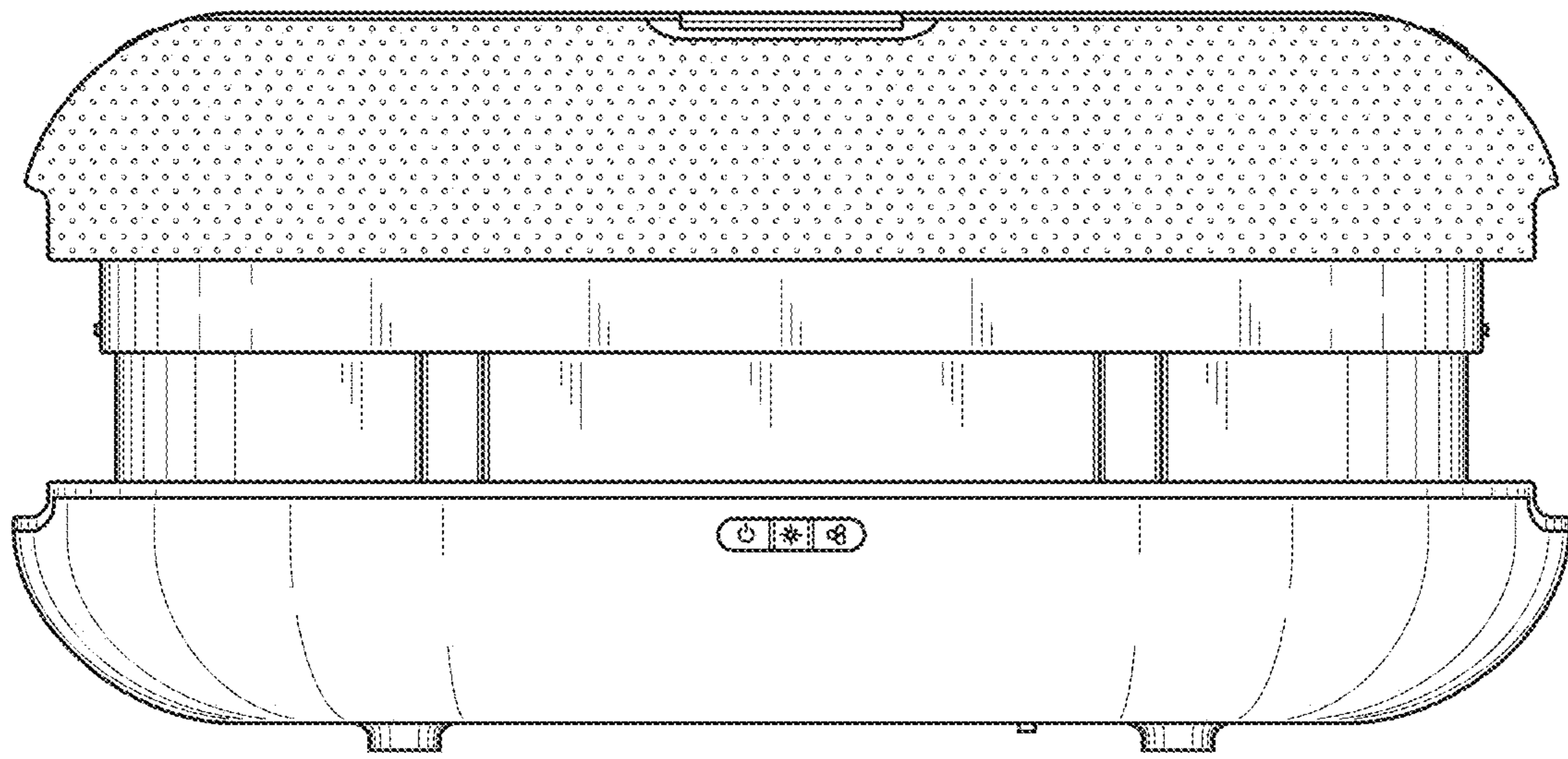


Fig. 7

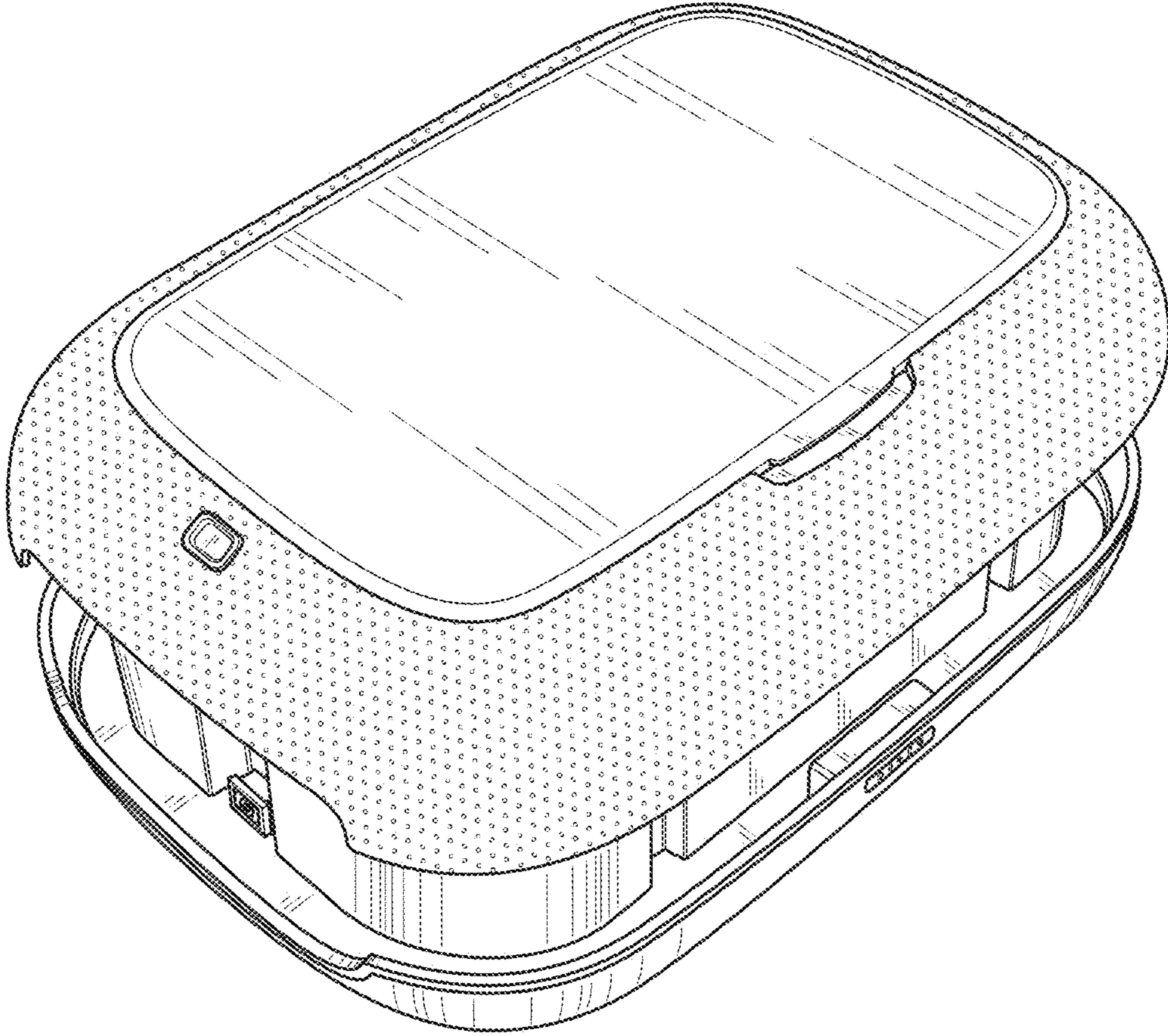


Fig. 8