



US00D972164S

(12) **United States Design Patent**  
**Fujii et al.**

(10) **Patent No.:** **US D972,164 S**  
(45) **Date of Patent:** **\*\* Dec. 6, 2022**

(54) **STERILIZER FOR MICROPHONE**

(71) Applicant: **Audio-Technica Corporation**, Tokyo (JP)

(72) Inventors: **Shota Fujii**, Fukui (JP); **Takurou Kurose**, Fukui (JP)

(73) Assignee: **Audio-Technica Corporation**, Tokyo (JP)

(\*\*) Term: **15 Years**

(21) Appl. No.: **29/793,117**

(22) Filed: **Jun. 11, 2021**

(51) **LOC (13) Cl.** ..... **24-01**

(52) **U.S. Cl.**  
USPC ..... **D24/217**

(58) **Field of Classification Search**  
USPC ..... D24/216, 217, 218, 219, 231, 232, 234, D24/209, 210; D32/1

(Continued)

(56) **References Cited**

**U.S. PATENT DOCUMENTS**

D396,768 S \* 8/1998 Drake ..... D6/528  
D421,308 S \* 2/2000 Johansson ..... D24/217

(Continued)

*Primary Examiner* — Anhdao Doan

(74) *Attorney, Agent, or Firm* — WCF IP

(57) **CLAIM**

The ornamental design for a sterilizer for microphone, as shown and described.

**DESCRIPTION**

FIG. 1 is a front, top, right side perspective view of a sterilizer for microphone;

FIG. 2 is a rear, bottom, left side perspective view of the sterilizer for microphone;

FIG. 3 is a front elevational view of the sterilizer for microphone;

FIG. 4 is a rear elevational view of the sterilizer for microphone;

FIG. 5 is a top plan view of the sterilizer for microphone;

FIG. 6 is a bottom plan view of the sterilizer for microphone;

FIG. 7 is a right side elevational view of the sterilizer for microphone;

FIG. 8 is a left side elevational view of the sterilizer for microphone;

FIG. 9 is an enlarged sectional view of the sterilizer for microphone taken along line 9-9 of FIG. 3;

FIG. 10 is a front, top, right side perspective view of the sterilizer for microphone showing a state in which the shade is opened;

FIG. 11 is a rear, bottom, left side perspective view of the sterilizer for microphone showing a state in which the shade is opened;

FIG. 12 is a front elevational view of the sterilizer for microphone showing a state in which the shade is opened;

FIG. 13 is a rear elevational view of the sterilizer for microphone showing a state in which the shade is opened;

FIG. 14 is a top plan view of the sterilizer for microphone showing a state in which the shade is opened;

FIG. 15 is a bottom plan view of the sterilizer for microphone showing a state in which the shade is opened;

FIG. 16 is a right side elevational view of the sterilizer for microphone showing a state in which the shade is opened;

FIG. 17 is a left side elevational view of the sterilizer for microphone showing a state in which the shade is opened;

FIG. 18 is a reference view 1 of the sterilizer for microphone showing a state of use;

FIG. 19 is a reference view 2 of the sterilizer for microphone showing a state of use;

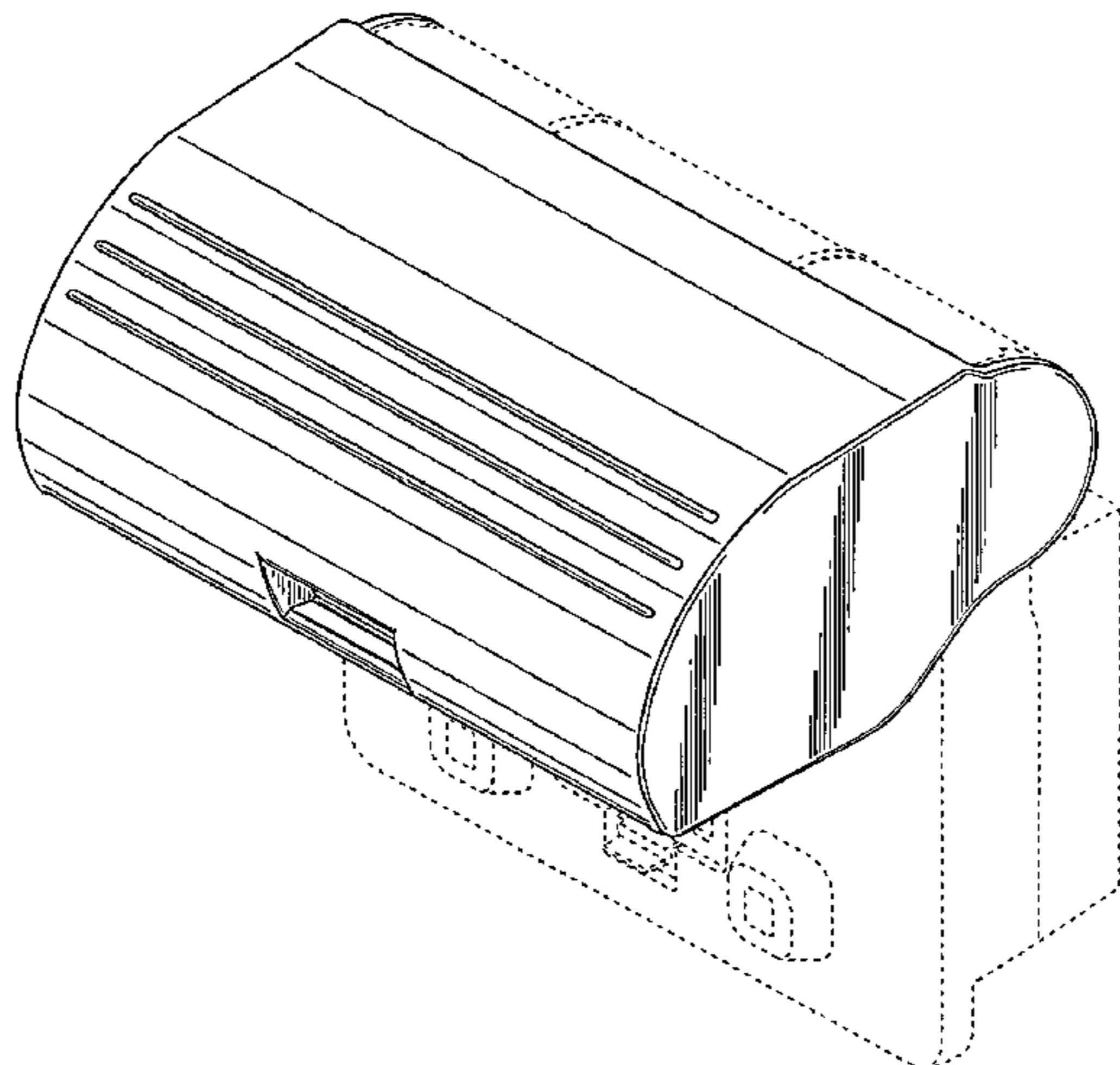
FIG. 20 is a reference view 3 of the sterilizer for microphone showing a state of use;

FIG. 21 is a reference right side elevational view of the sterilizer for microphone showing a state in which the shade is detached; and,

FIG. 22 is a reference view of the sterilizer for microphone in a state of being installed on the wall.

The dot-dot-dash lines depicting the microphone stand, microphones, bracket in FIGS. 18-20, 22 and the wall in FIG. 22 represent environmental subject matter and form no

(Continued)



part of the claimed design; and the evenly broken lines illustrate portions of the sterilizer for microphone that form no part of the claimed design.

**1 Claim, 22 Drawing Sheets**

(58) **Field of Classification Search**

CPC ..... A61L 2/26; A61L 2/24; A61L 2/07; A61L 2/08; A61L 2/18; A61L 2/25; A61L 2202/122; A61L 2202/11; A61L 2202/14; A61L 2202/23; A61L 2202/24; A61L 2202/25

See application file for complete search history.

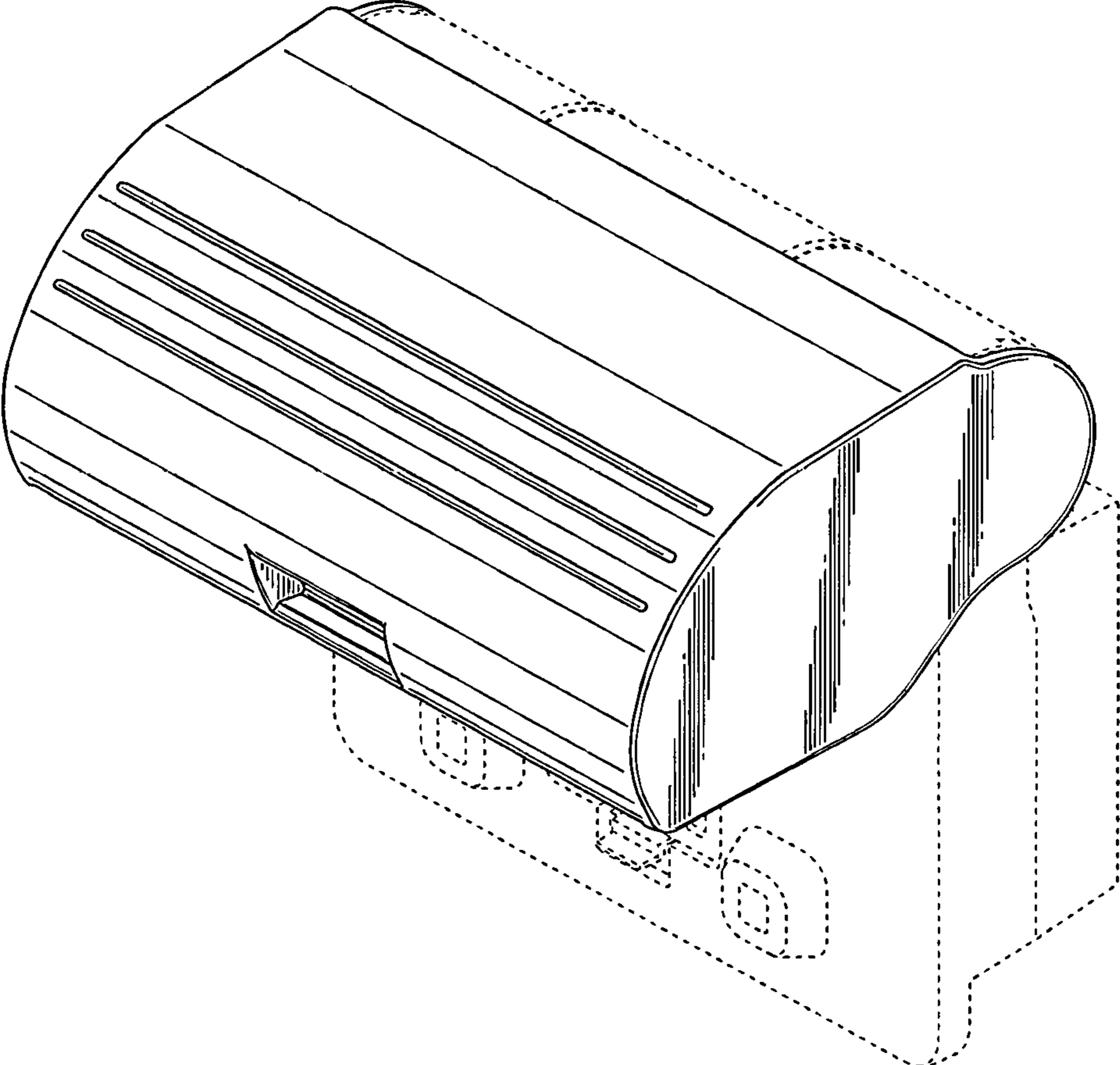
(56) **References Cited**

U.S. PATENT DOCUMENTS

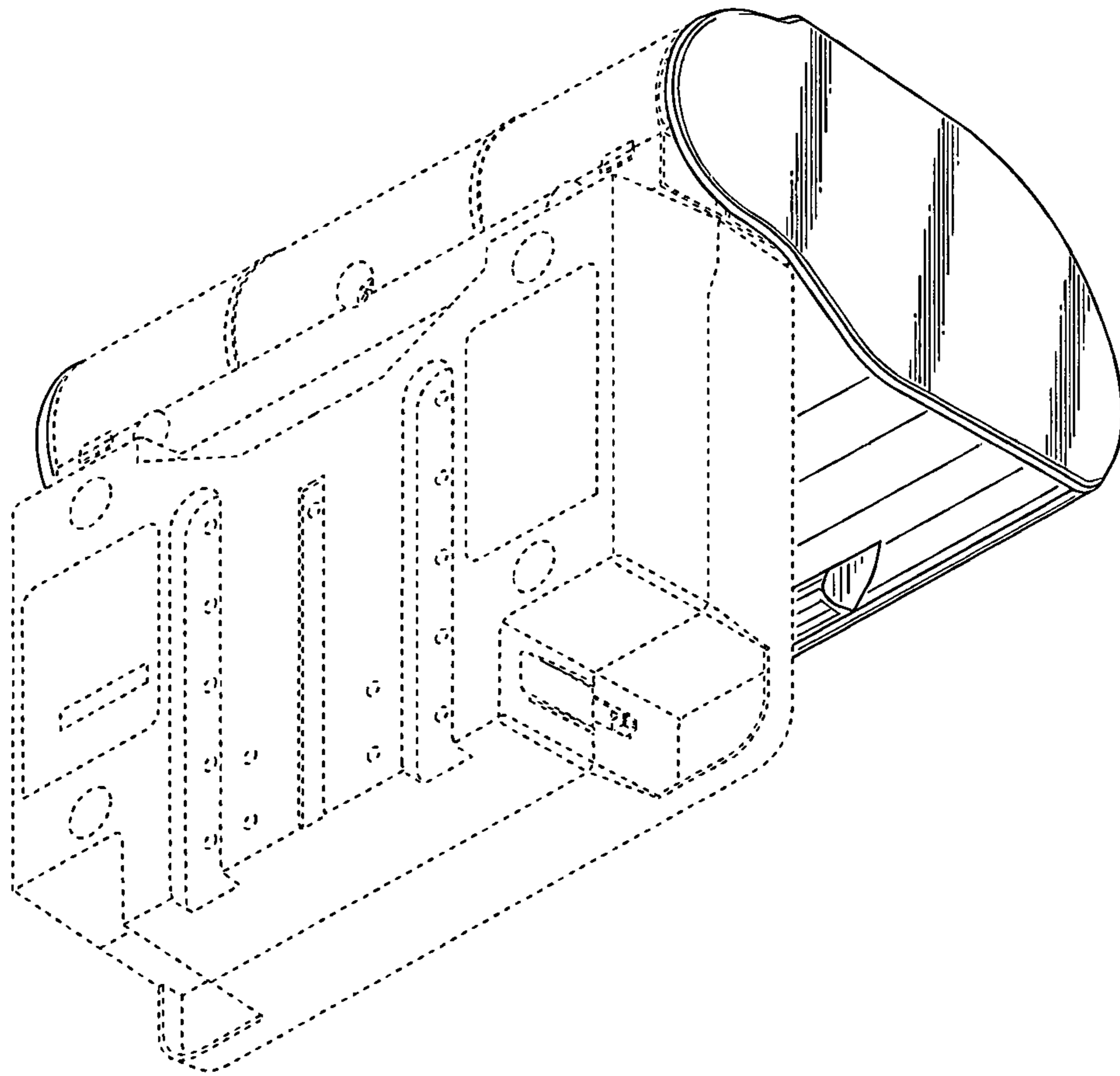
D873,408 S *	1/2020	Li .....	D24/217
D950,767 S *	5/2022	Khan .....	D24/217
D954,282 S *	6/2022	Lee .....	D24/209
2022/0184247 A1 *	6/2022	Uesugi .....	A61L 2/24

\* cited by examiner

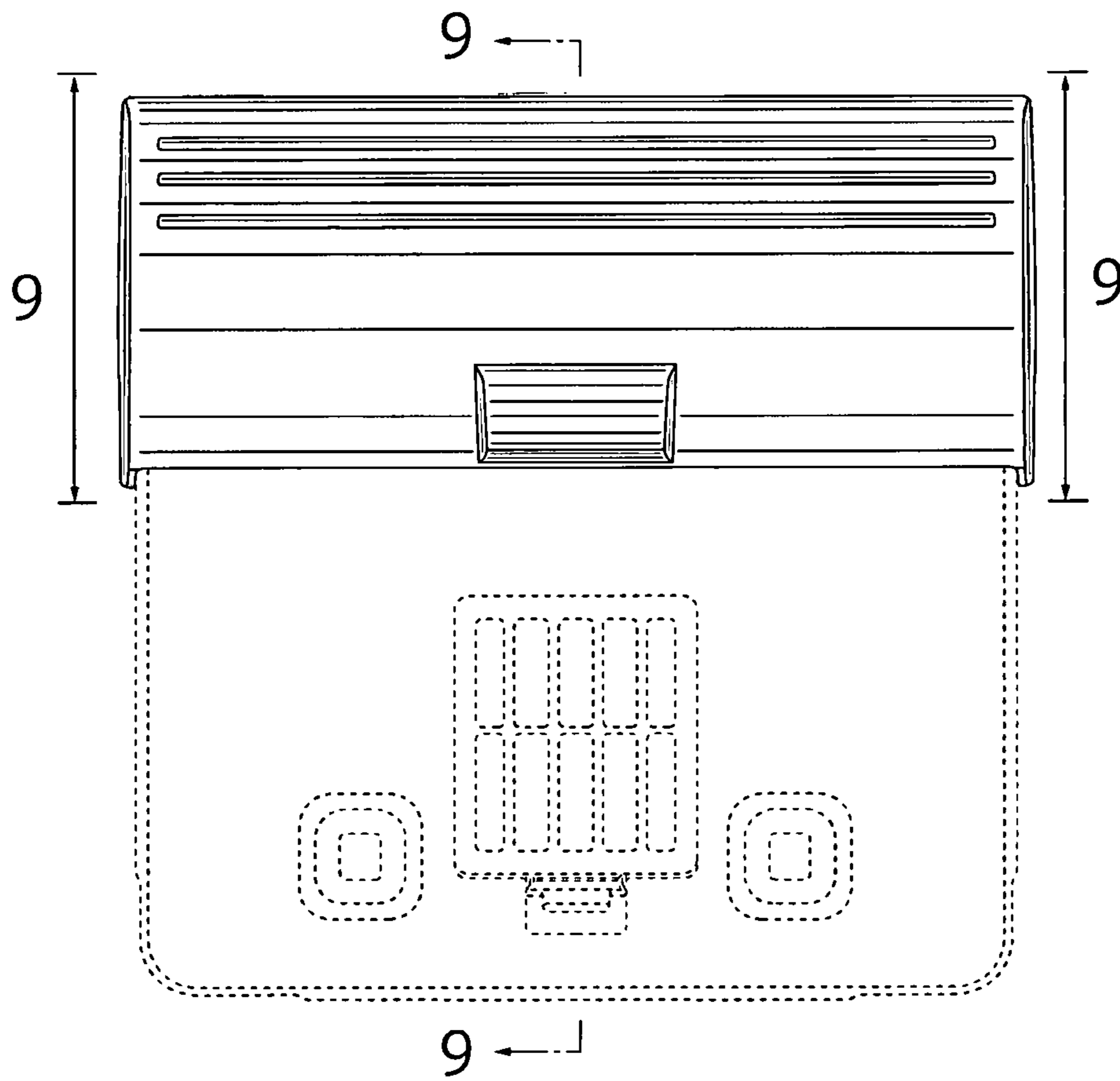
**FIG. 1**



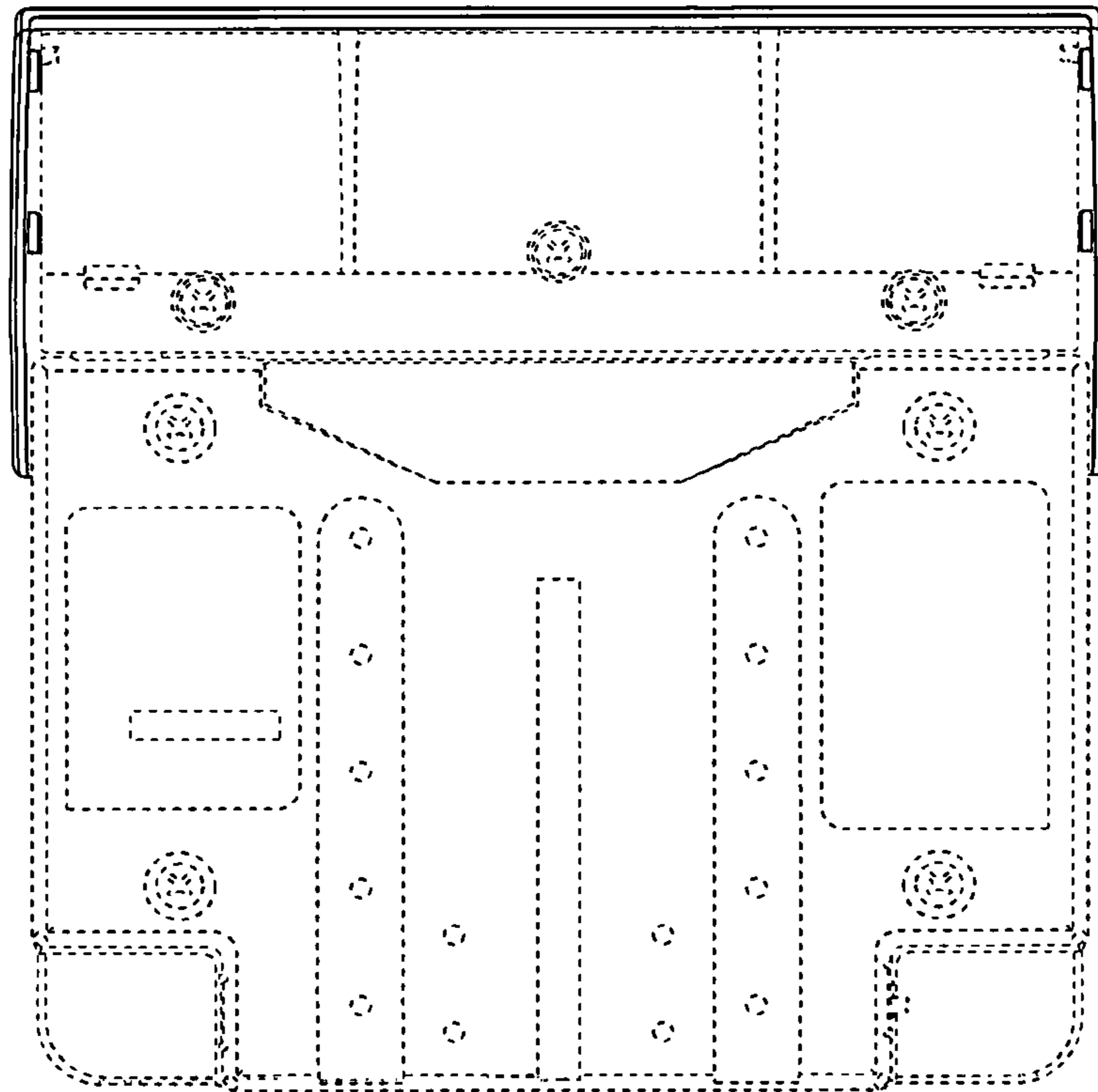
**FIG. 2**



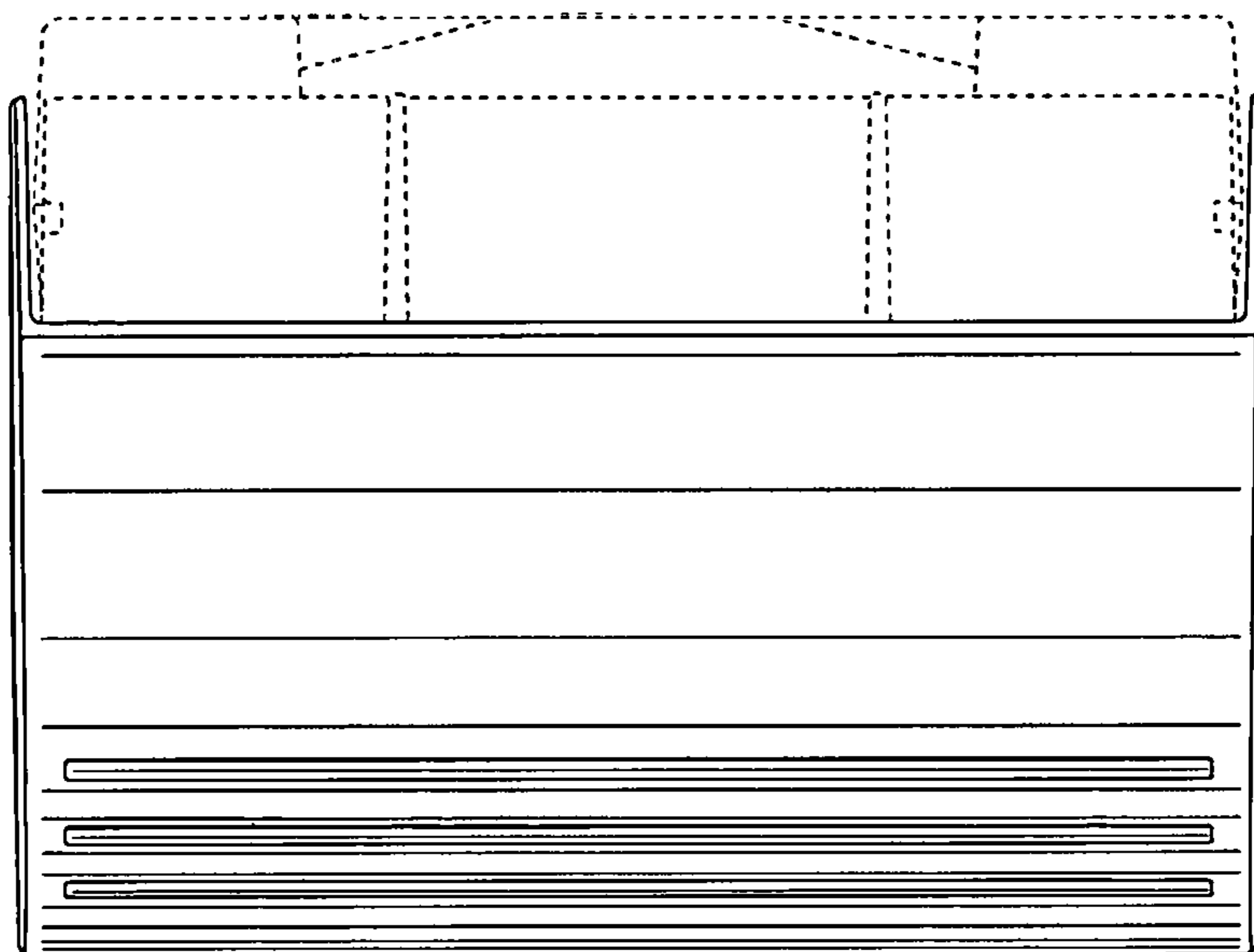
**FIG. 3**



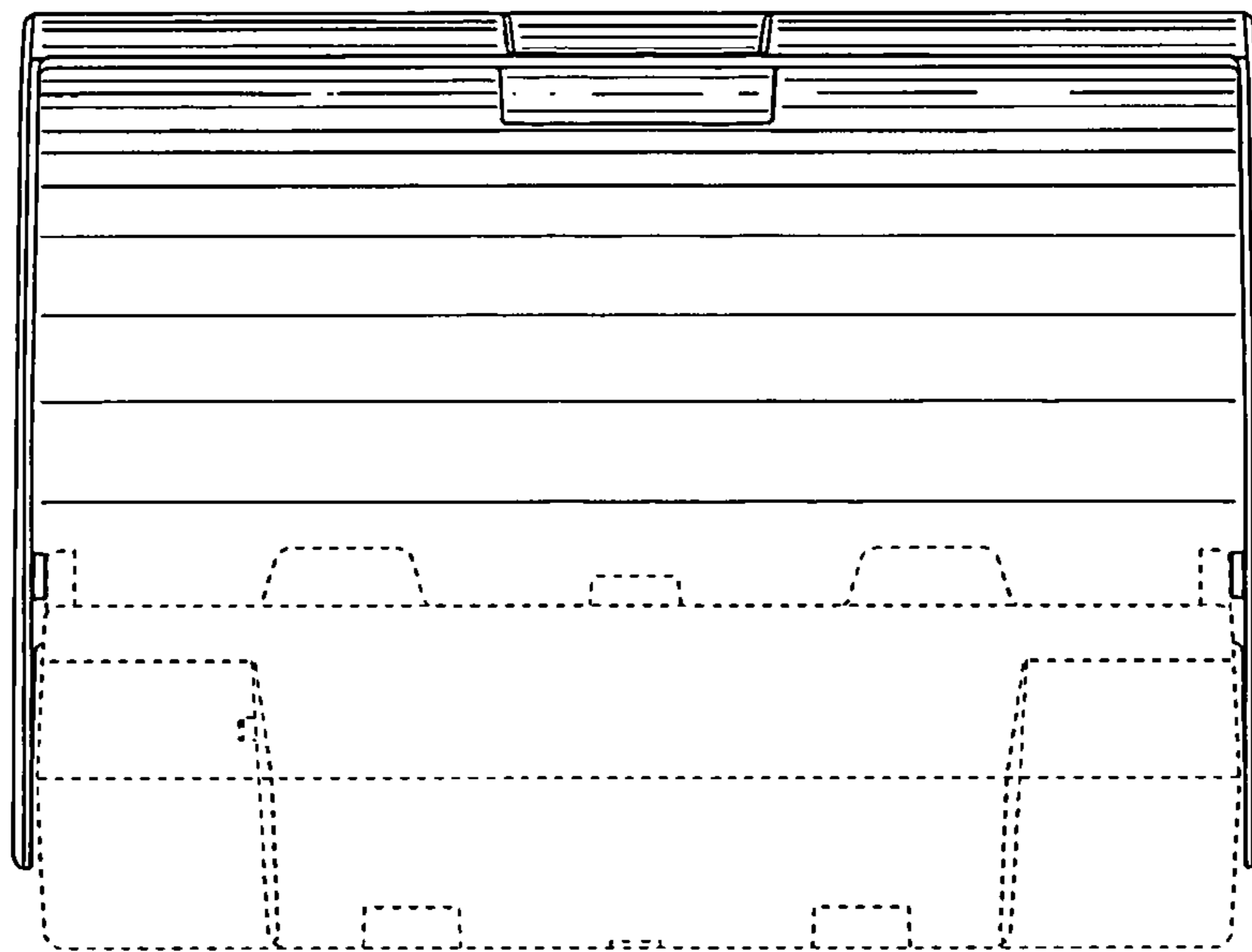
*FIG. 4*



***FIG. 5***

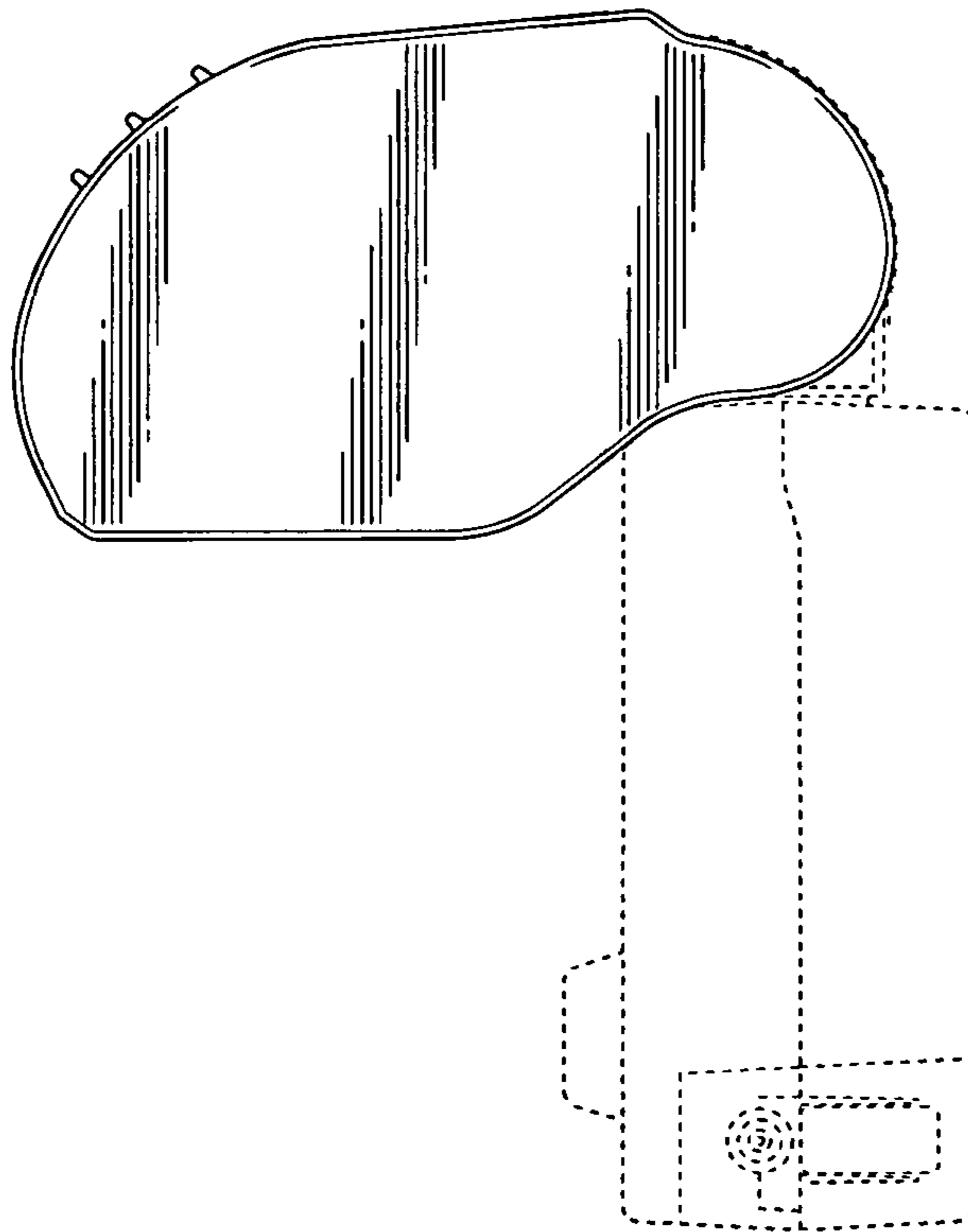


**FIG. 6**

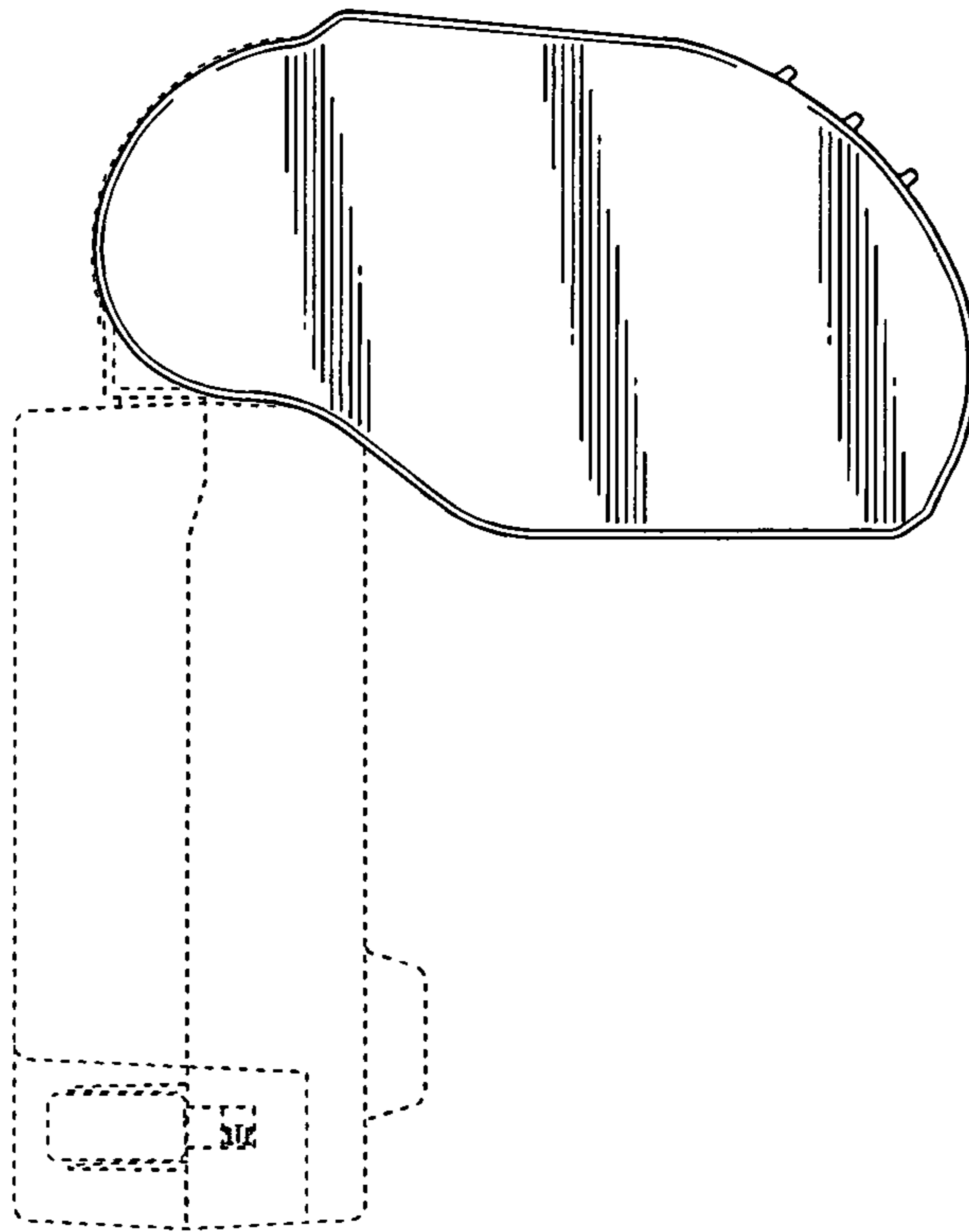




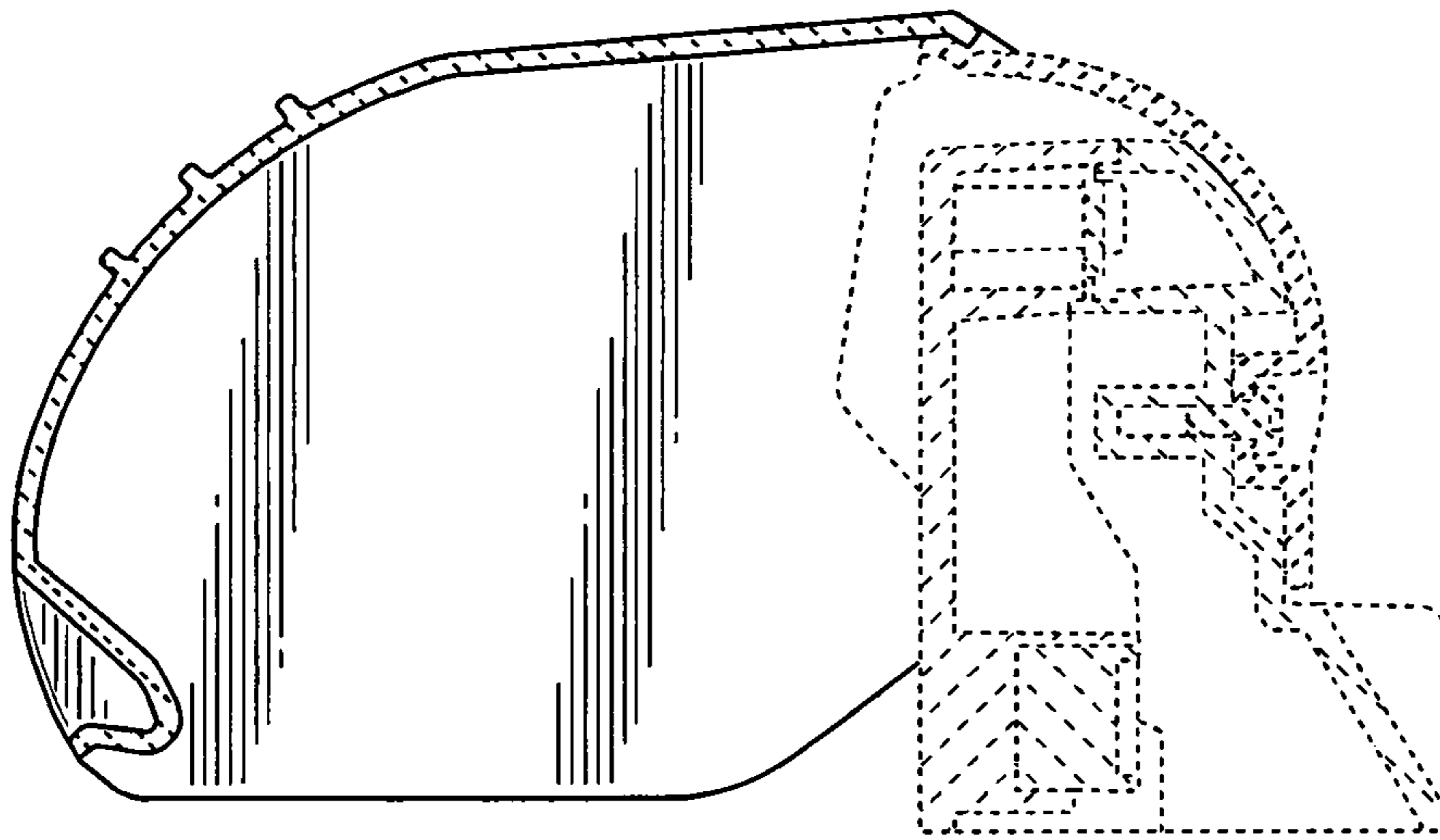
**FIG. 7**



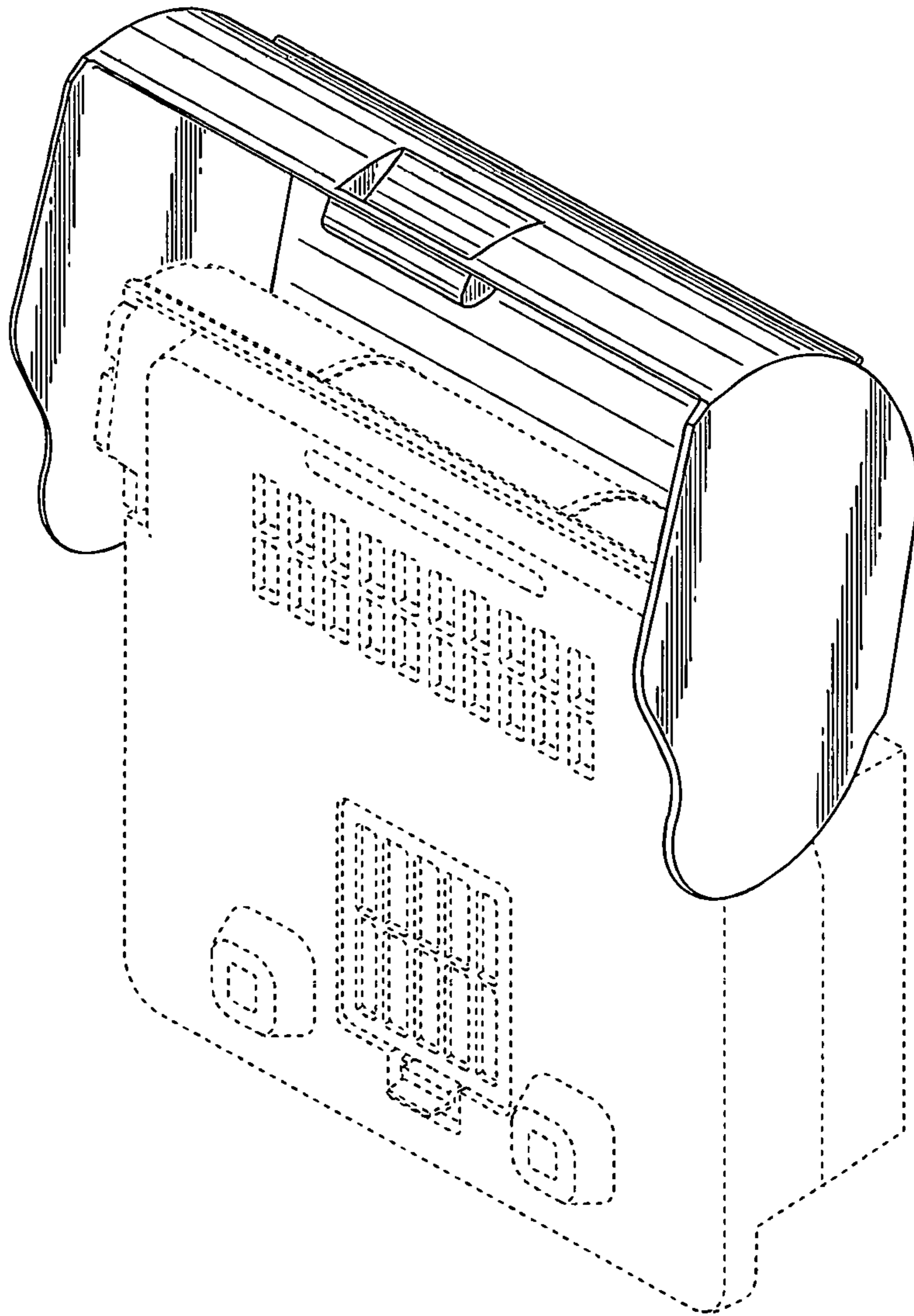
***FIG. 8***



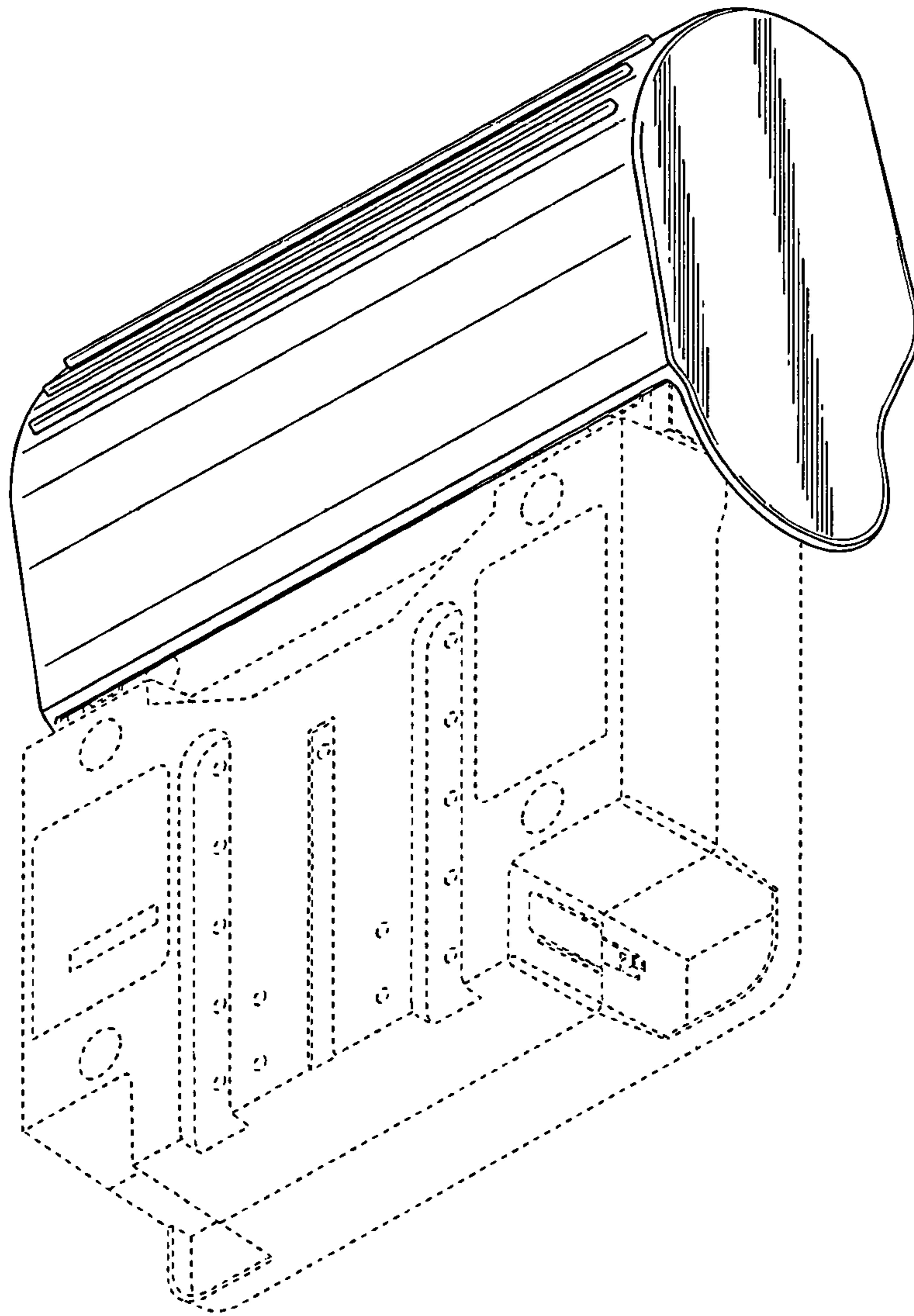
**FIG. 9**



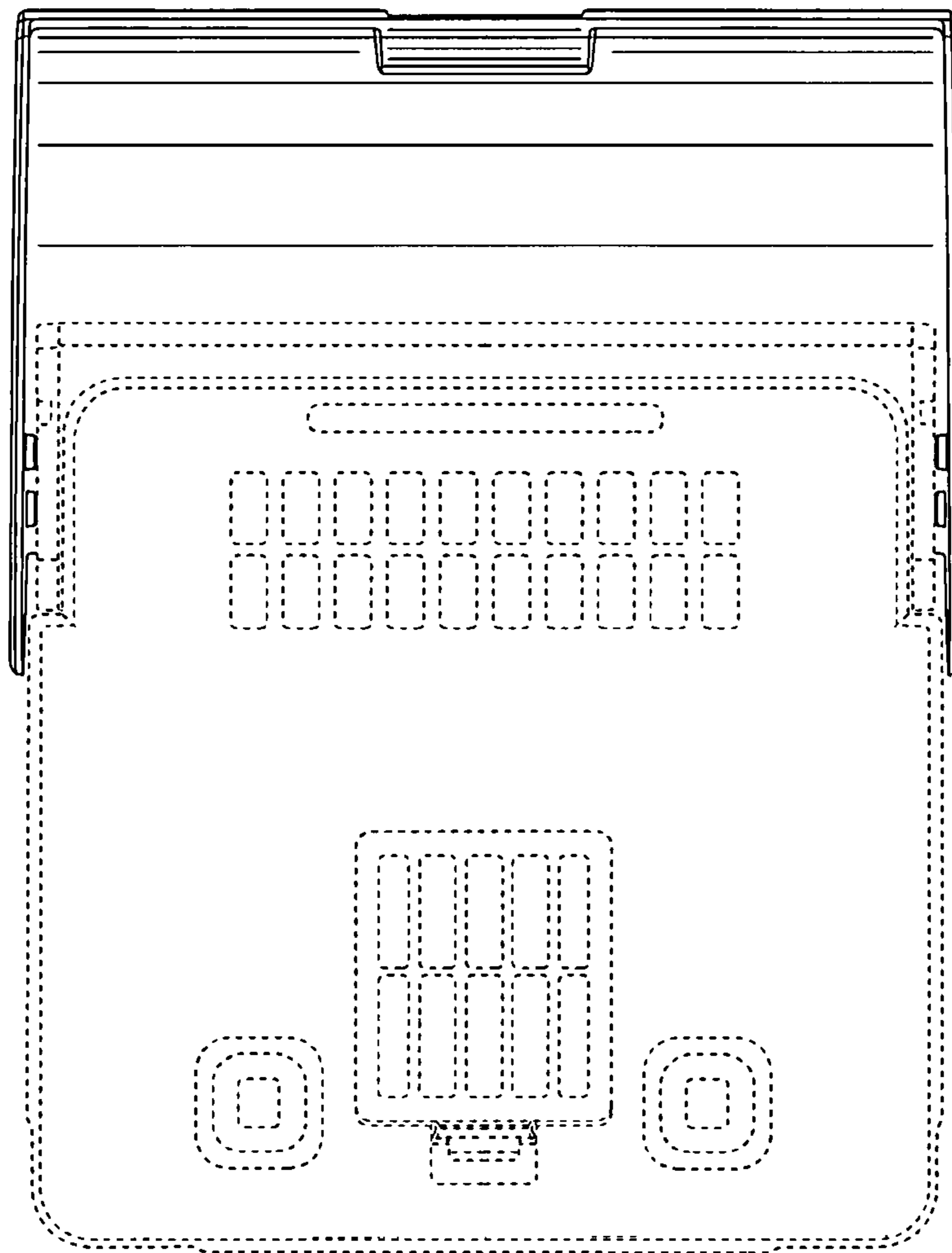
**FIG. 10**



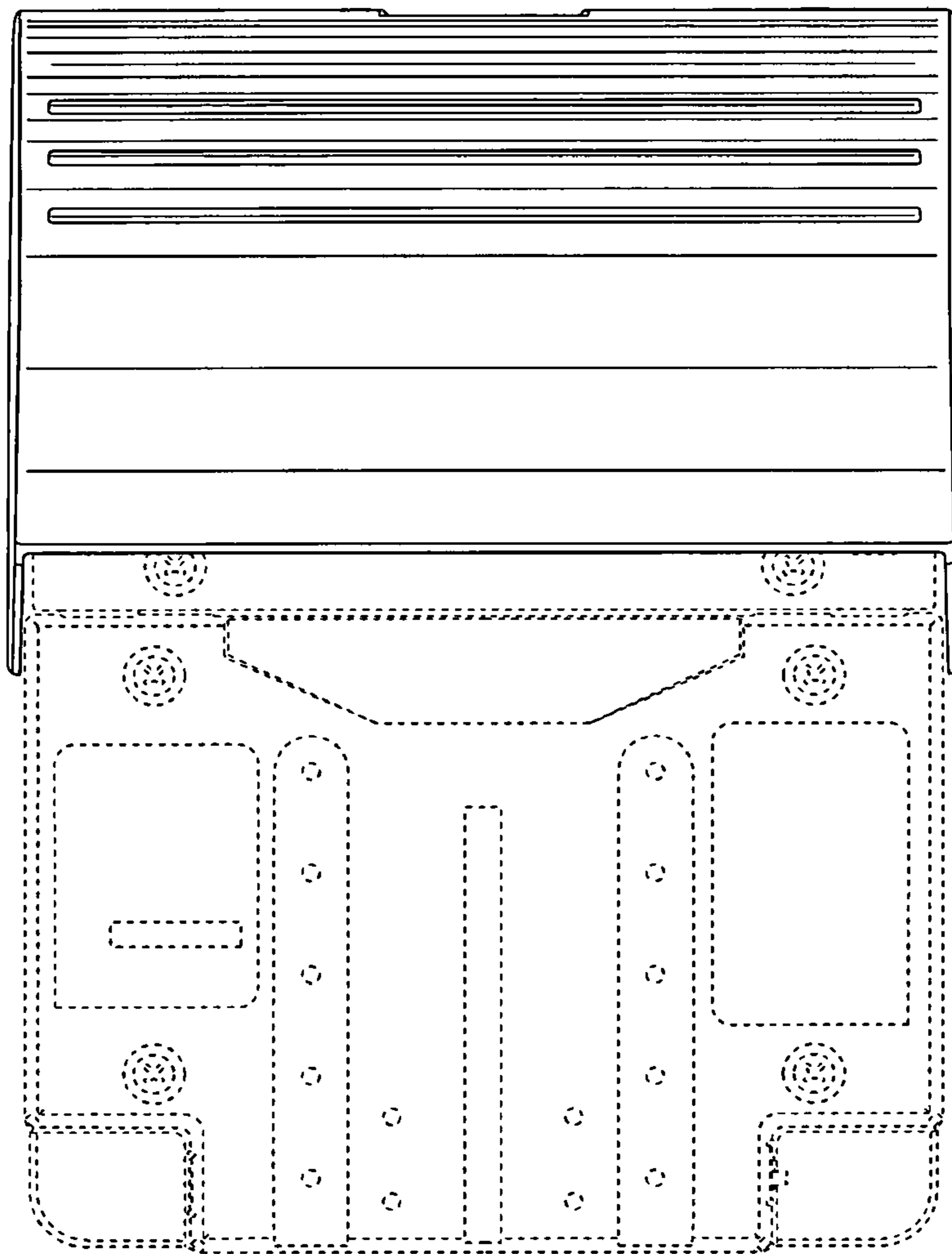
**FIG. 11**



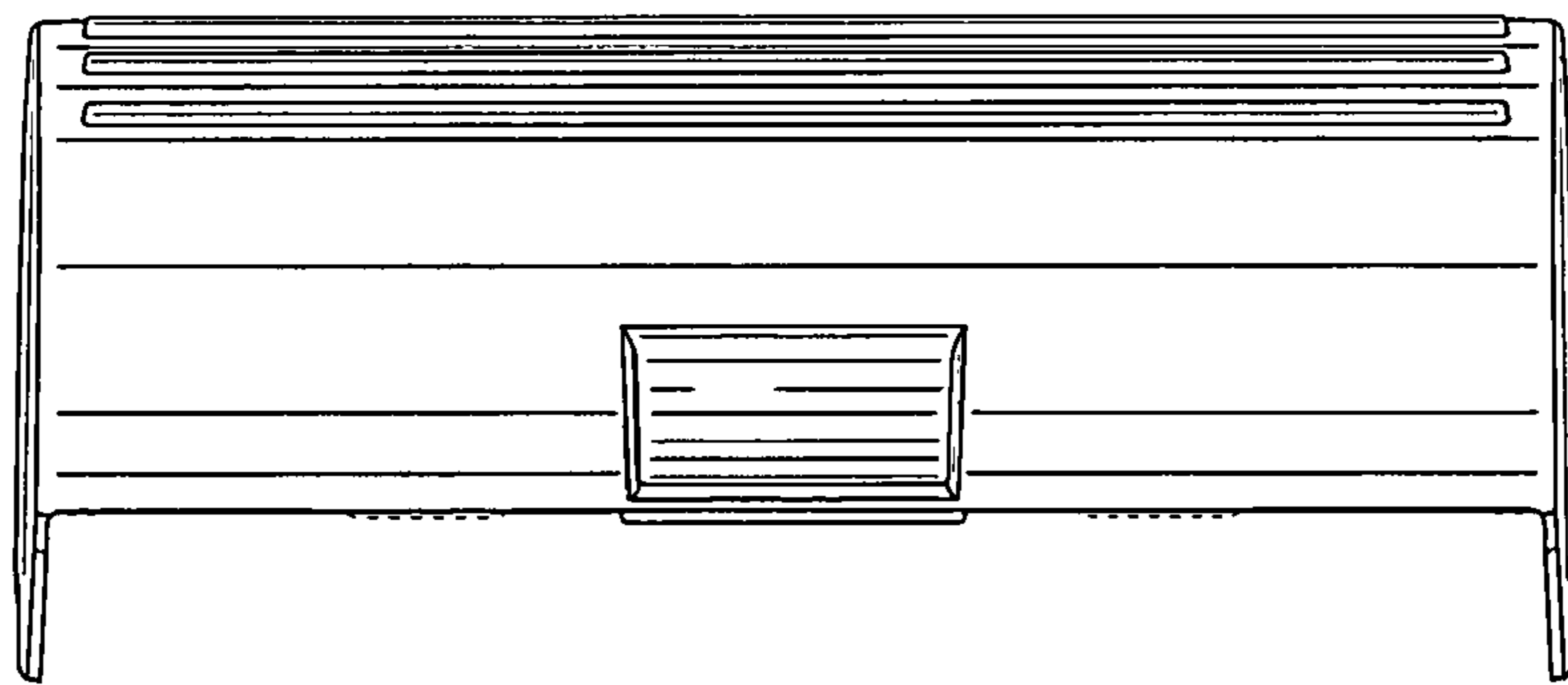
**FIG. 12**



*FIG. 13*

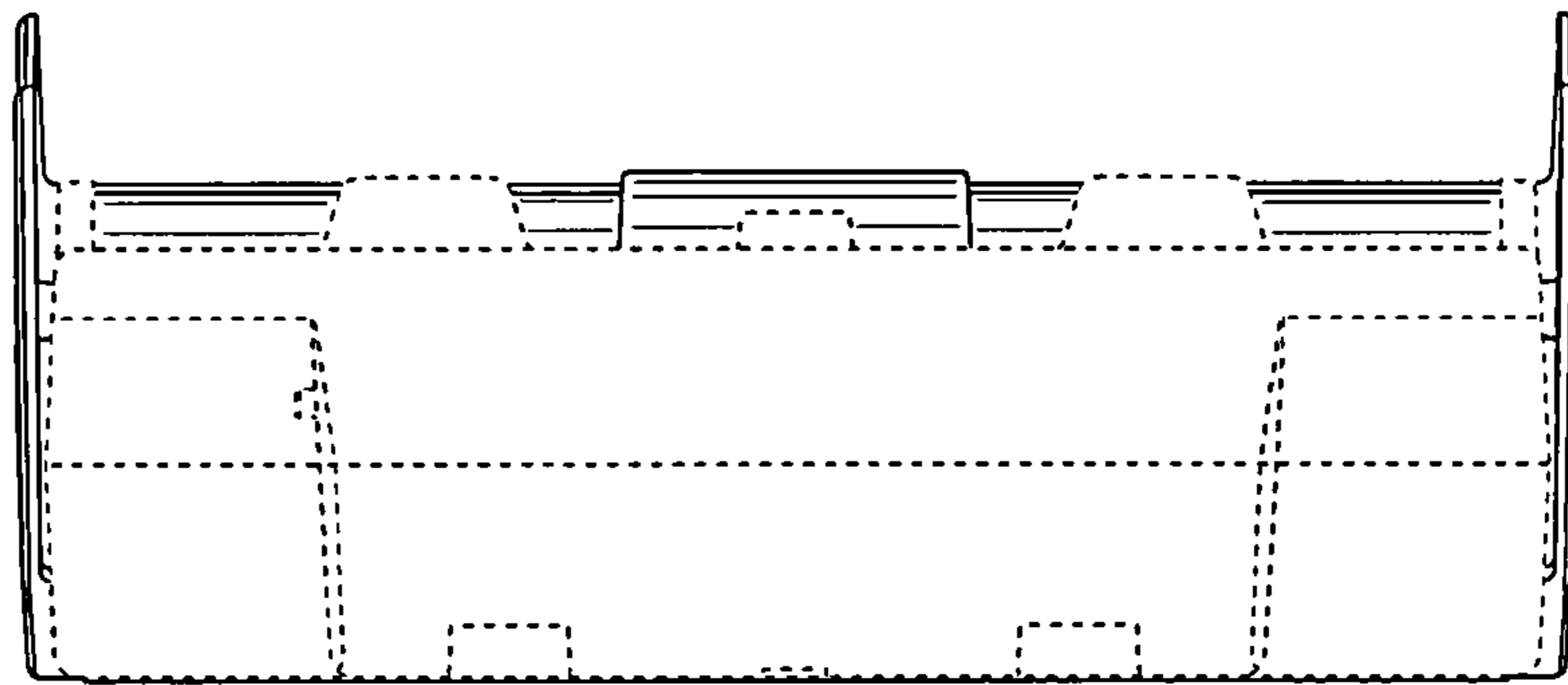


*FIG. 14*

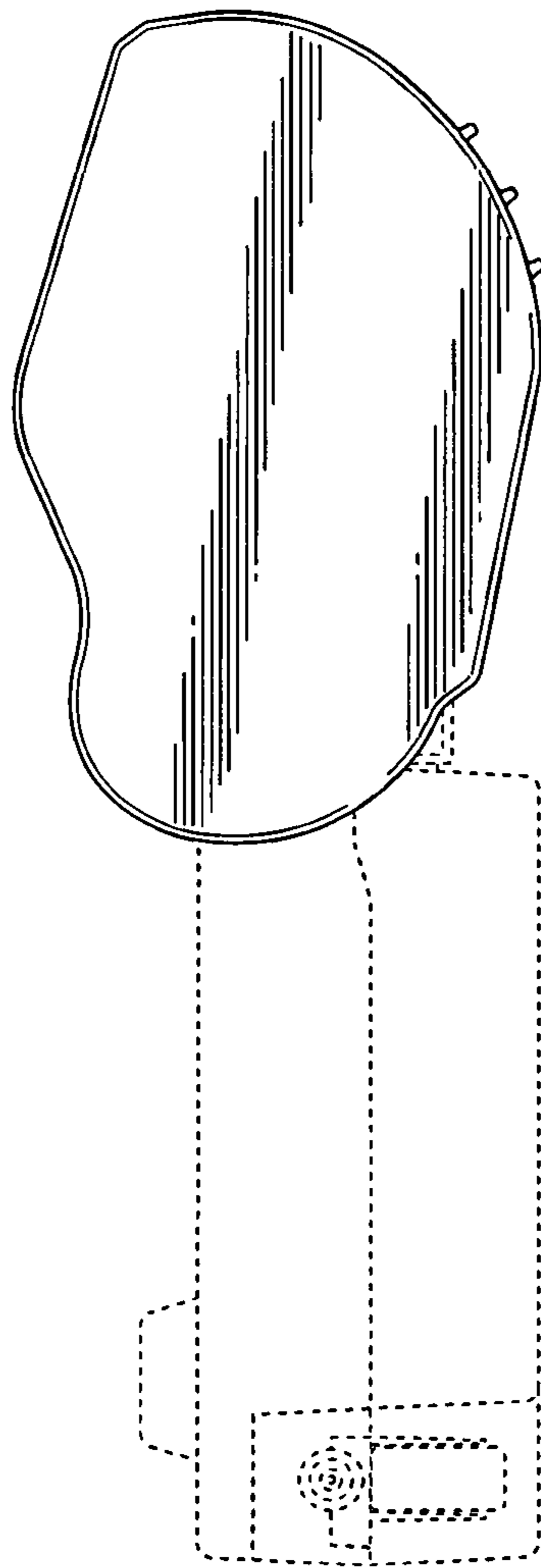




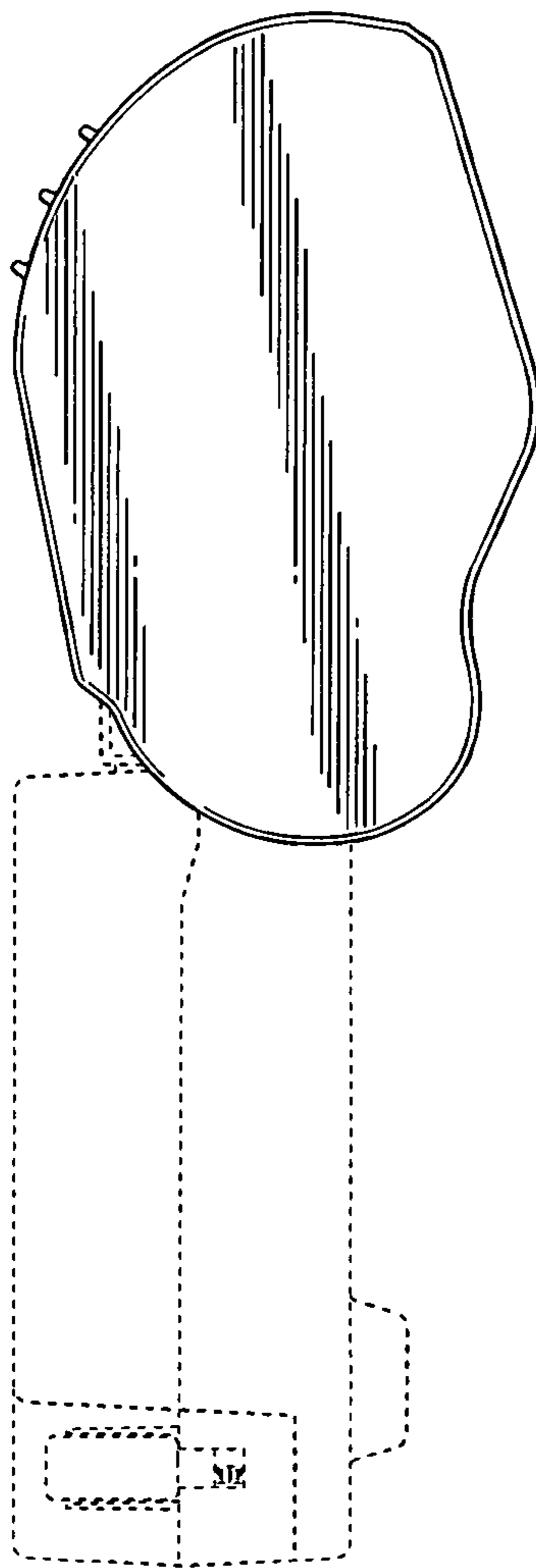
*FIG. 15*



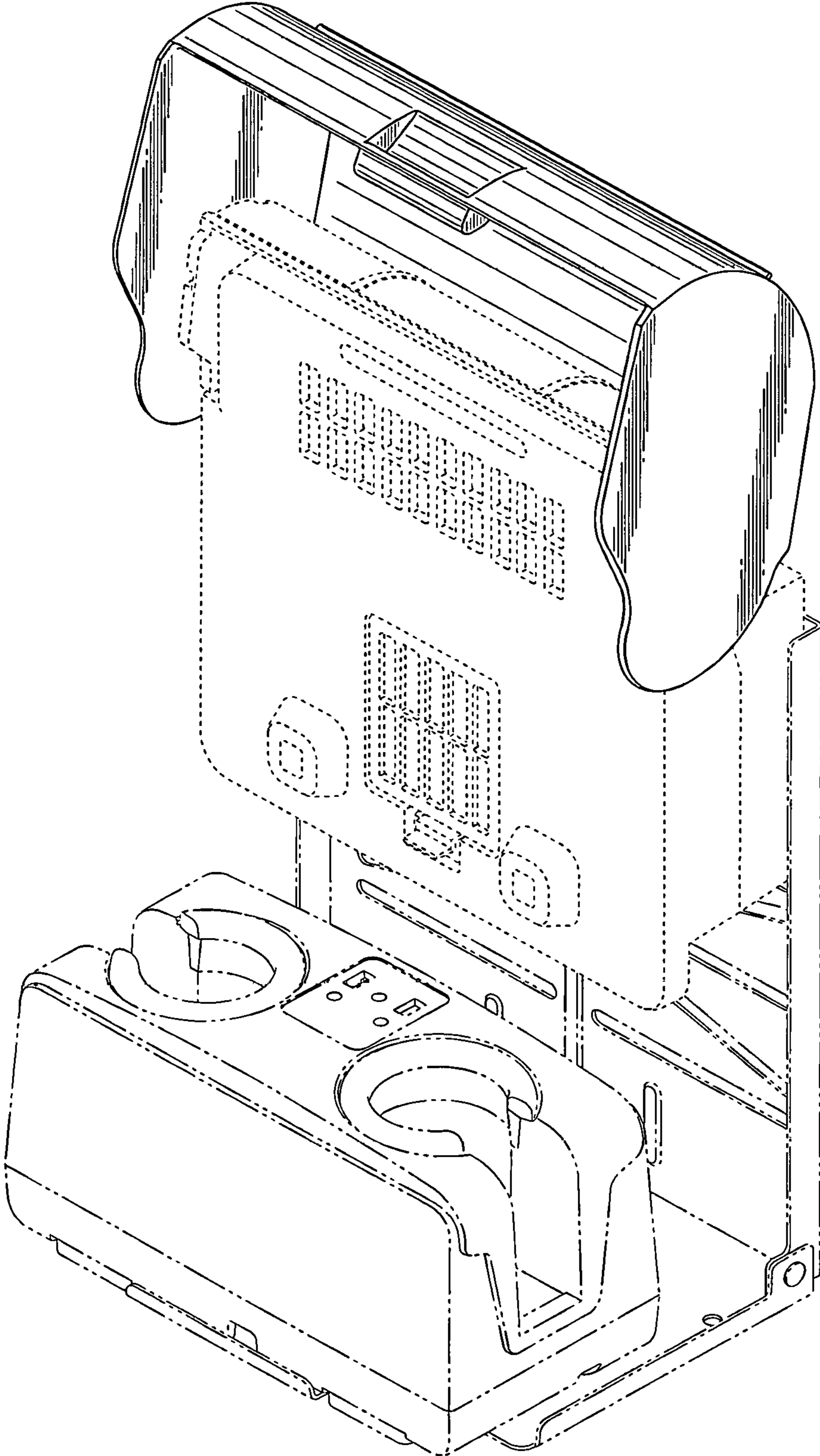
***FIG. 16***



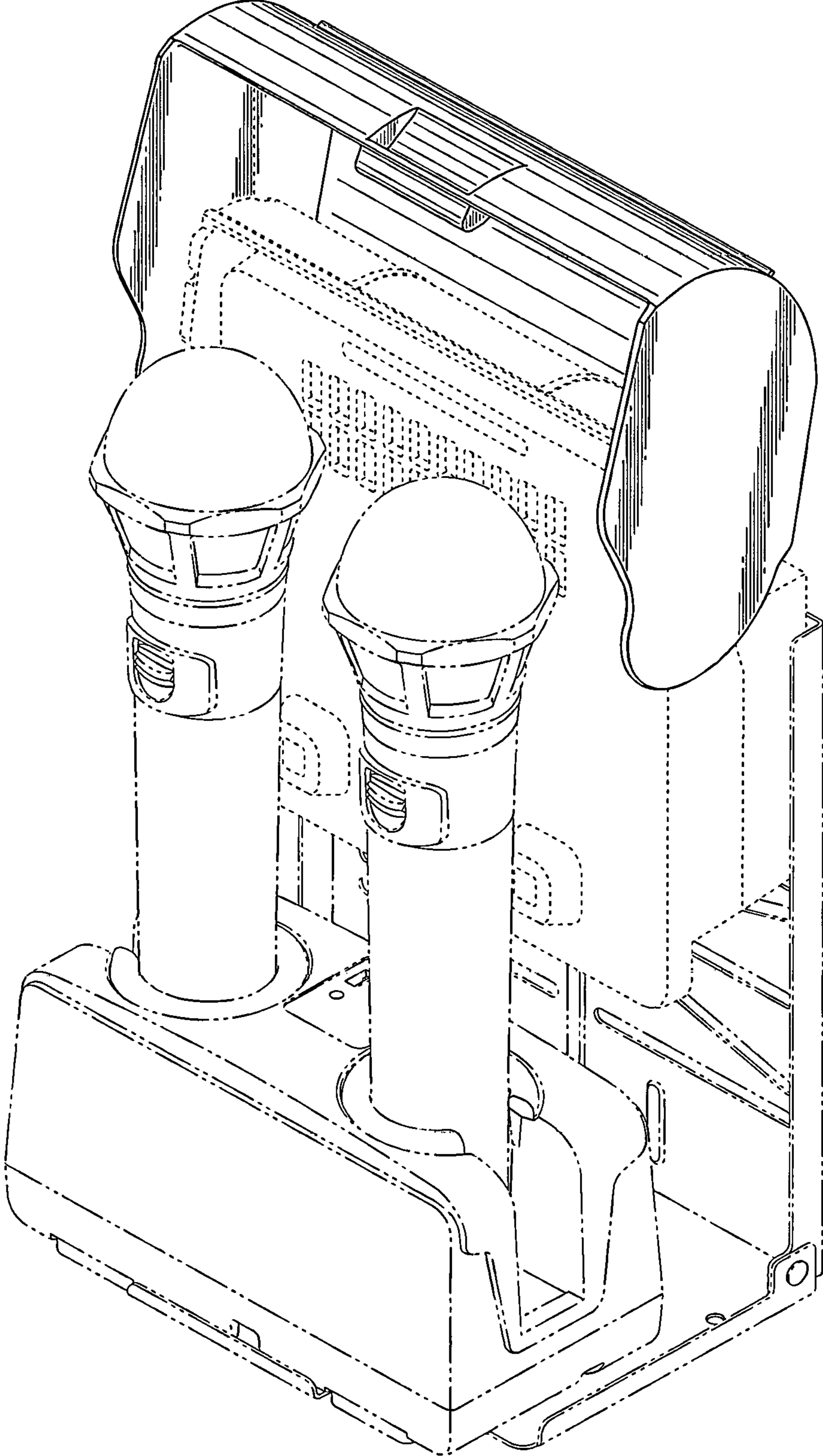
***FIG. 17***



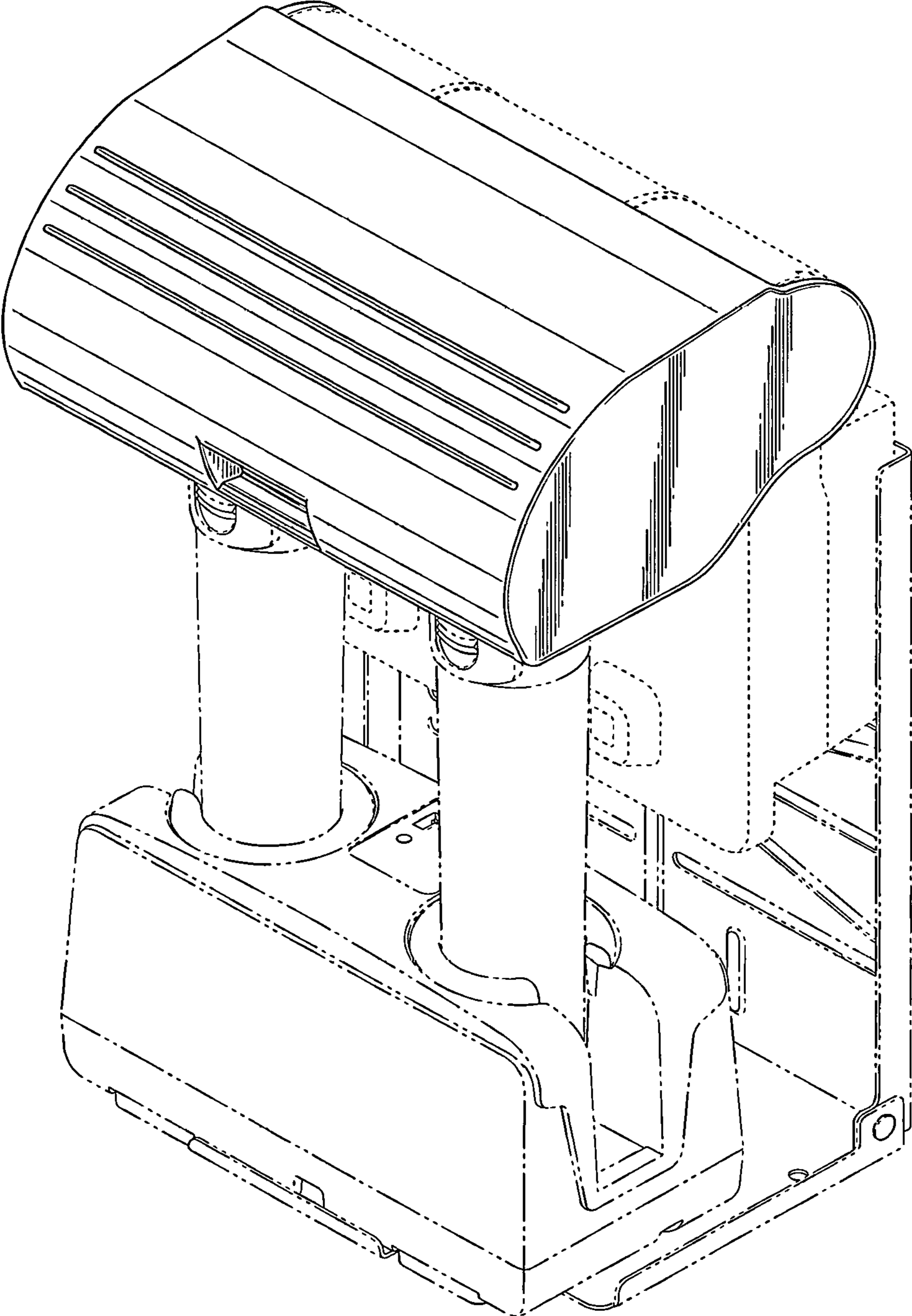
**FIG. 18**



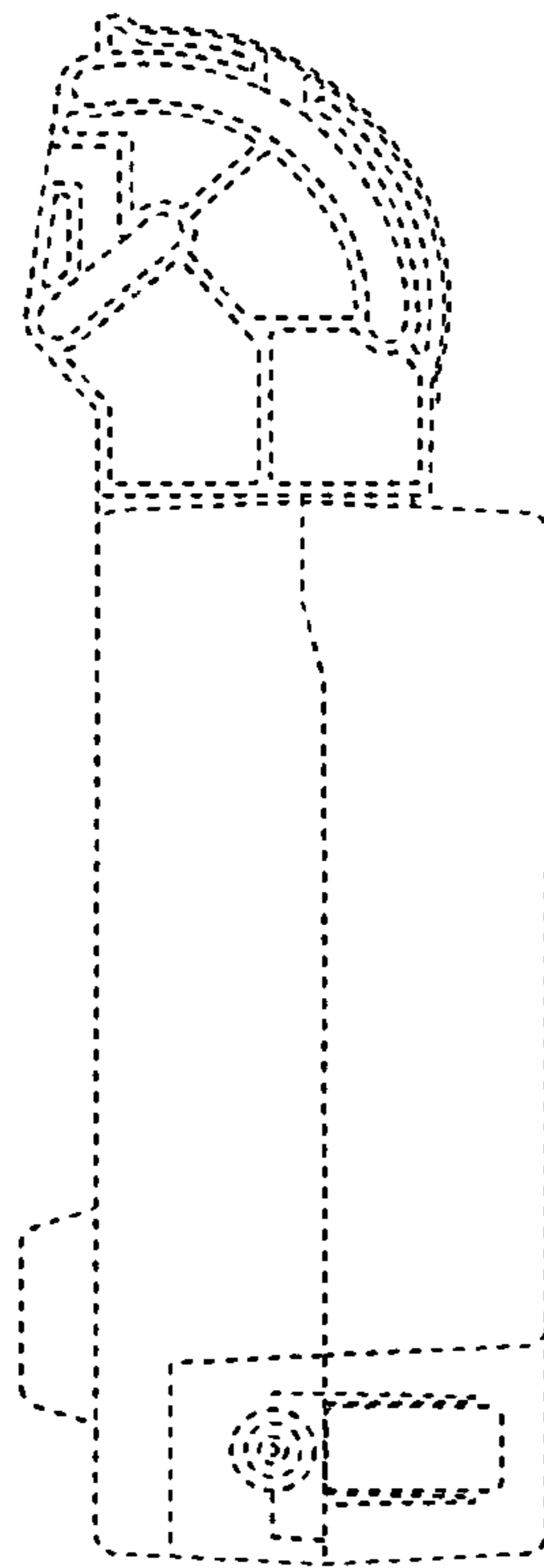
**FIG. 19**



**FIG. 20**



***FIG. 21***



**FIG. 22**

