



US00D972159S

(12) **United States Design Patent** (10) **Patent No.:** **US D972,159 S**
Yu (45) **Date of Patent:** **** Dec. 6, 2022**

(54) **FASCIA GUN**
(71) Applicant: **Yongkang Chengge Industry and Trade Co., Ltd., Zhejiang (CN)**

D935,636 S * 11/2021 Luo D24/215
D935,637 S * 11/2021 Li D24/215
D938,056 S * 12/2021 Wu D24/215

(Continued)

(72) Inventor: **Zicheng Yu, Jiangxi (CN)**

FOREIGN PATENT DOCUMENTS

(**) Term: **15 Years**

CN 211675285 U * 10/2020
CN 212913821 U * 4/2021
CN 213346756 U * 6/2021

(21) Appl. No.: **29/829,969**

OTHER PUBLICATIONS

(22) Filed: **Mar. 9, 2022**

(51) **LOC (13) Cl.** **24-01**

(52) **U.S. Cl.**
USPC **D24/215**

Aonijie E4408 Workout Massage Fascia Gun . . . [online]. No post date available. [Retrieved from the Internet Aug. 9, 2022.] <URL: <https://www.aonijie.com/Massage-Fascia-Gun-Electrical-Deep-Vibrating-Fascia-Gun-p.html> >.*

(Continued)

(58) **Field of Classification Search**
USPC D4/101, 102, 104, 114, 116, 118, 120,
D4/121, 125, 132, 134, 138, 100,
D4/105-113; D24/152, 176, 211, 214,
D24/215
CPC A61H 1/008; A61H 23/004; A61H 23/006;
A61H 2015/0014; A61H 2015/0042
See application file for complete search history.

Primary Examiner — Rebekah A Caruso
(74) *Attorney, Agent, or Firm* — Che-Yang Chen; Law Office of Michael Chen

(57) **CLAIM**

The ornamental design for a fascia gun, as shown and described.

(56) **References Cited**

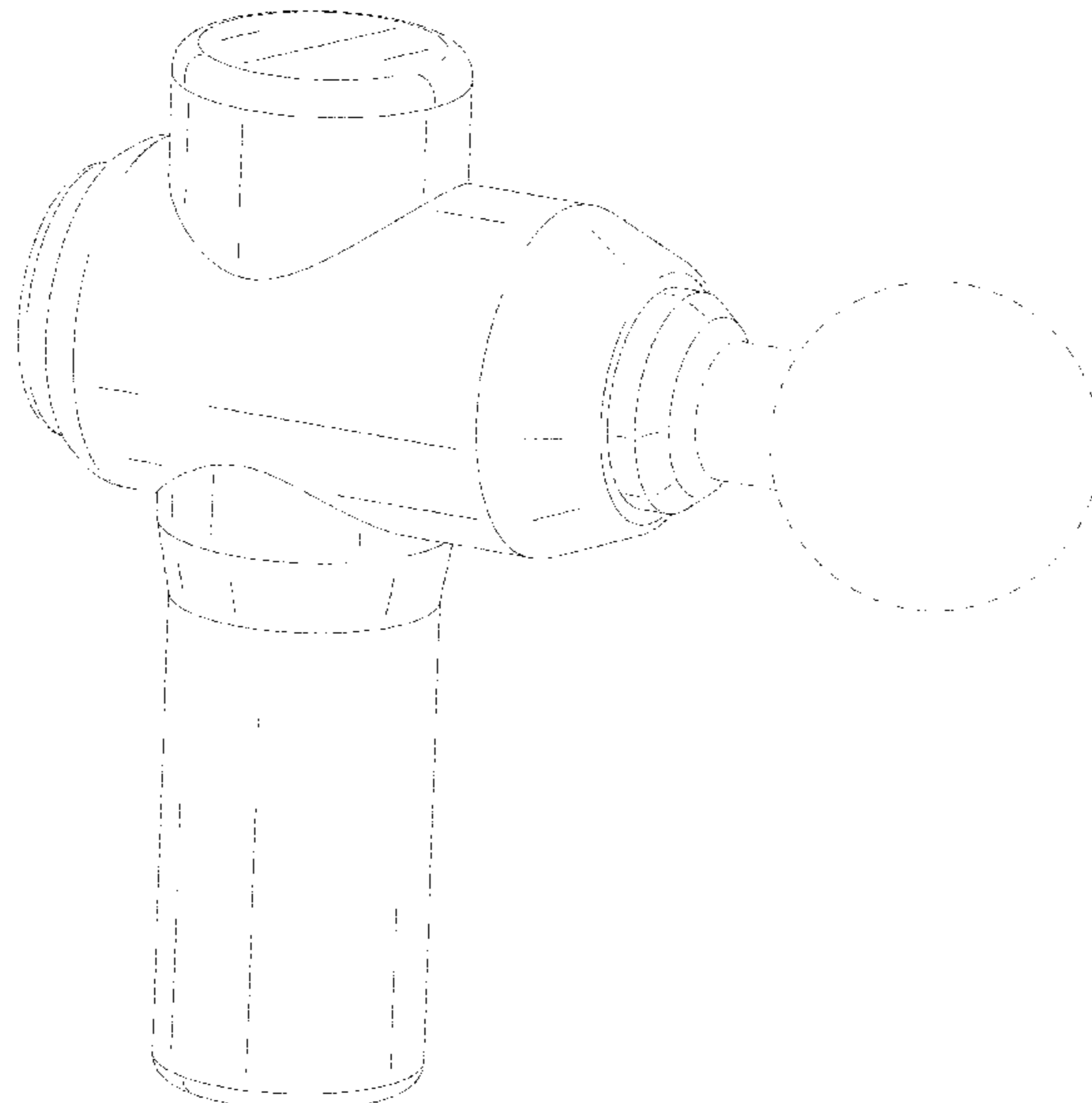
DESCRIPTION

U.S. PATENT DOCUMENTS

10,314,762 B1 * 6/2019 Marton A61H 1/008
D855,822 S * 8/2019 Marton D24/215
D886,317 S * 6/2020 Marton D24/215
D893,738 S * 8/2020 Zhuang D24/215
D895,133 S * 9/2020 Xu D24/215
D895,135 S * 9/2020 Xu D24/215
D895,831 S * 9/2020 Chen D24/215
D907,229 S * 1/2021 Zhang D24/215
D908,908 S * 1/2021 Xu D24/215
D913,517 S * 3/2021 Yu D24/215
D917,060 S * 4/2021 Hu D24/215
D918,408 S * 5/2021 Huang D24/215
D923,188 S * 6/2021 Xu D24/211
D926,333 S * 7/2021 Zhang D24/215
D928,338 S * 8/2021 Hu D24/215
D931,481 S 9/2021 Li

FIG. 1 is a perspective view of the fascia gun showing my new design;
FIG. 2 is a perspective view thereof from another angle;
FIG. 3 is a front elevational view thereof;
FIG. 4 is a rear elevational view thereof;
FIG. 5 is a left side elevational view thereof;
FIG. 6 is a right side elevational view thereof;
FIG. 7 is a top plan view thereof; and,
FIG. 8 is a bottom plan view thereof.
The broken lines shown in the drawings are included for the purpose of illustrating portions of the fascia gun that form no part of the claimed design.

1 Claim, 8 Drawing Sheets



(56)

References Cited

U.S. PATENT DOCUMENTS

D939,103	S	*	12/2021	Xu	D24/215
D939,724	S	*	12/2021	Hu	D24/215
D940,892	S	*	1/2022	Shen	D24/215
D945,007	S	*	3/2022	Liu	D24/215
D949,381	S	*	4/2022	Kong	D24/215
D949,384	S	*	4/2022	Liang	D24/215
D949,396	S	*	4/2022	Li	D24/215
D950,087	S	*	4/2022	Shu	D24/215
D956,251	S	*	6/2022	Marton	D24/215
D956,252	S	*	6/2022	Marton	D24/215
D956,257	S	*	6/2022	Marton	D24/215
D956,258	S	*	6/2022	Marton	D24/215
D958,392	S	*	7/2022	Meng	D24/215

OTHER PUBLICATIONS

Sketel Collection Fascia Gun . . . [online]. No post date available.
[Retrieved from the Internet Aug. 9, 2022.] <URL: <https://sketelcollection.com/products/fascia-gun-muscle-massage> >.*

* cited by examiner

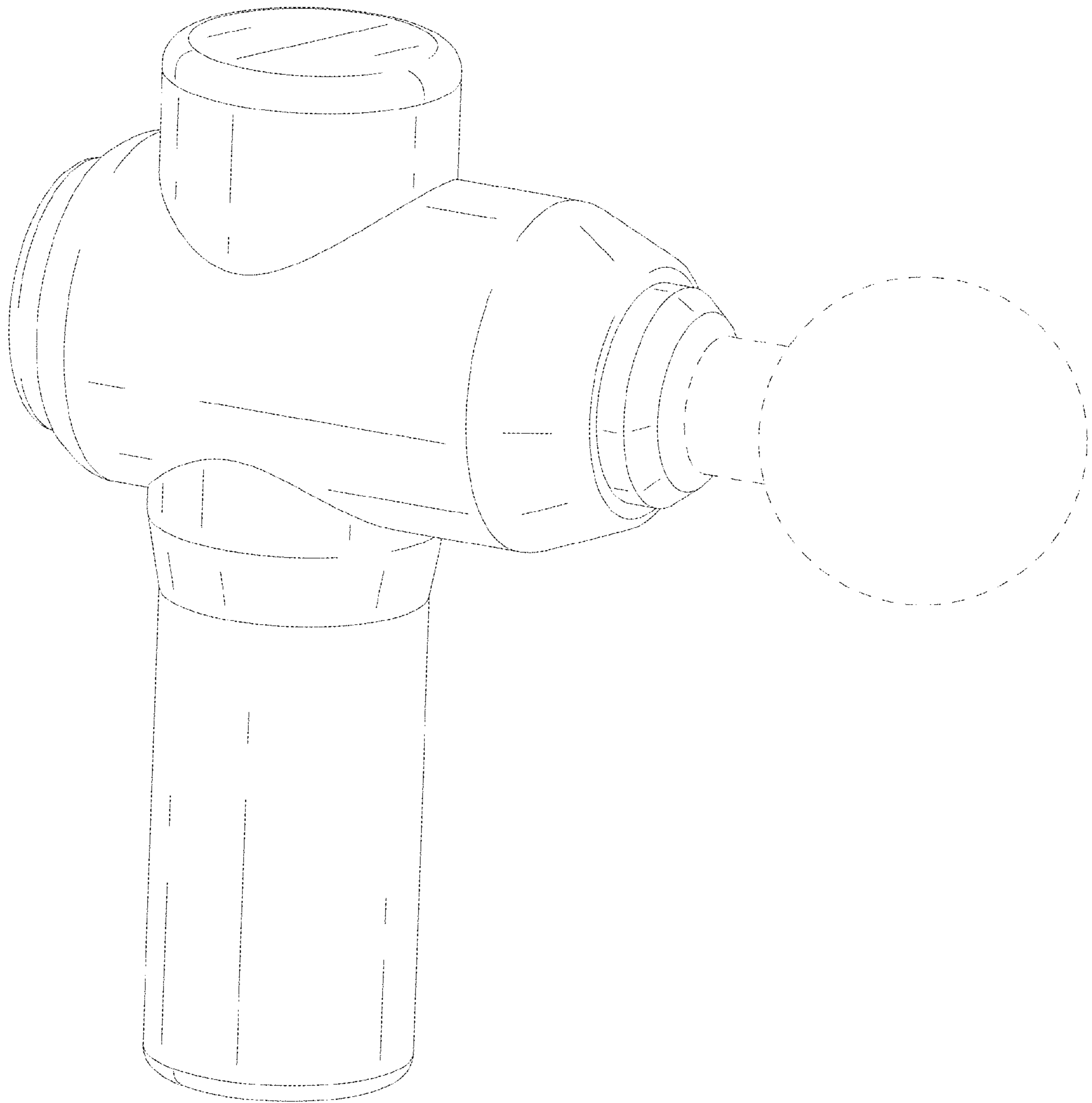


FIG. 1

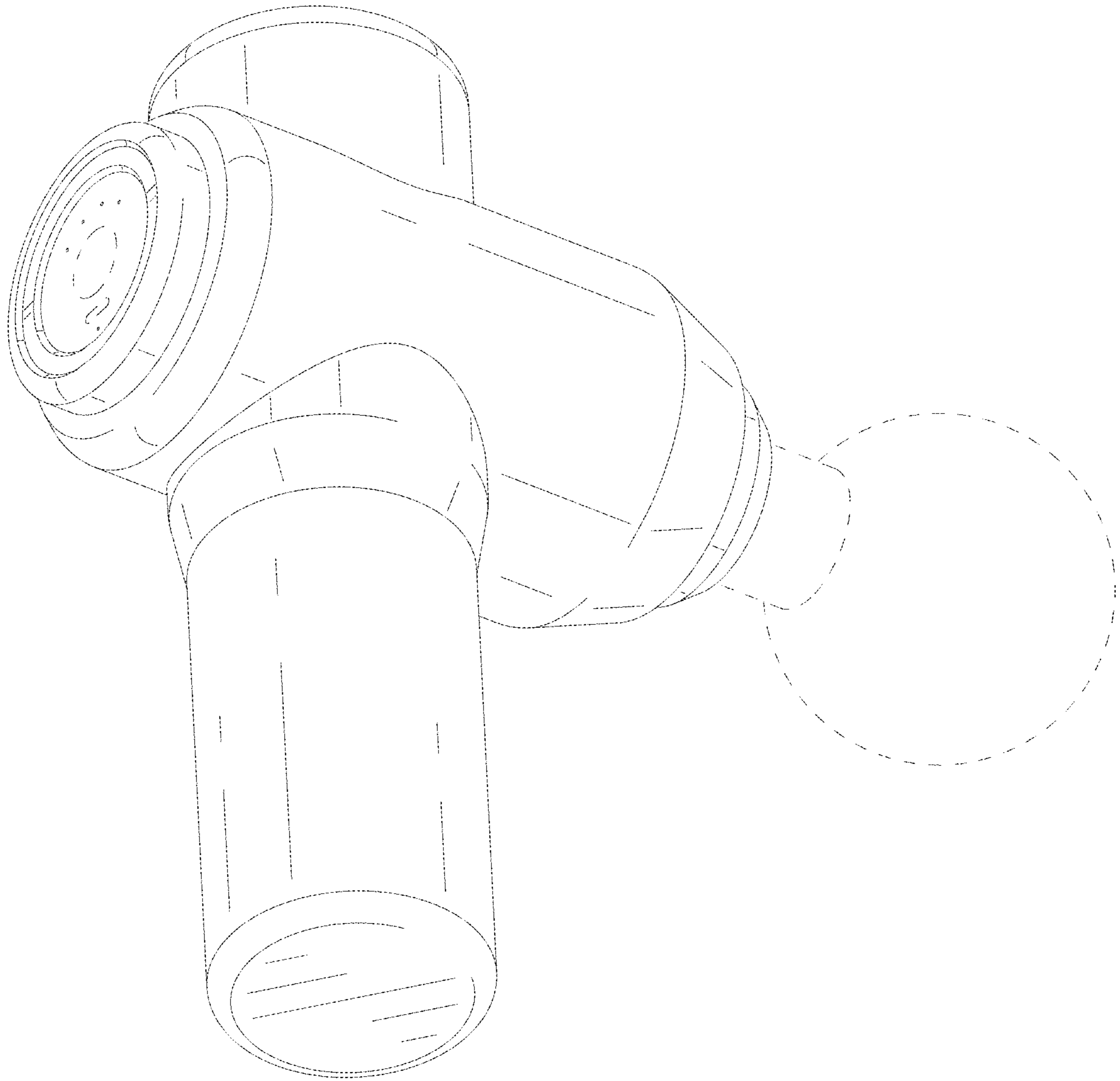


FIG. 2

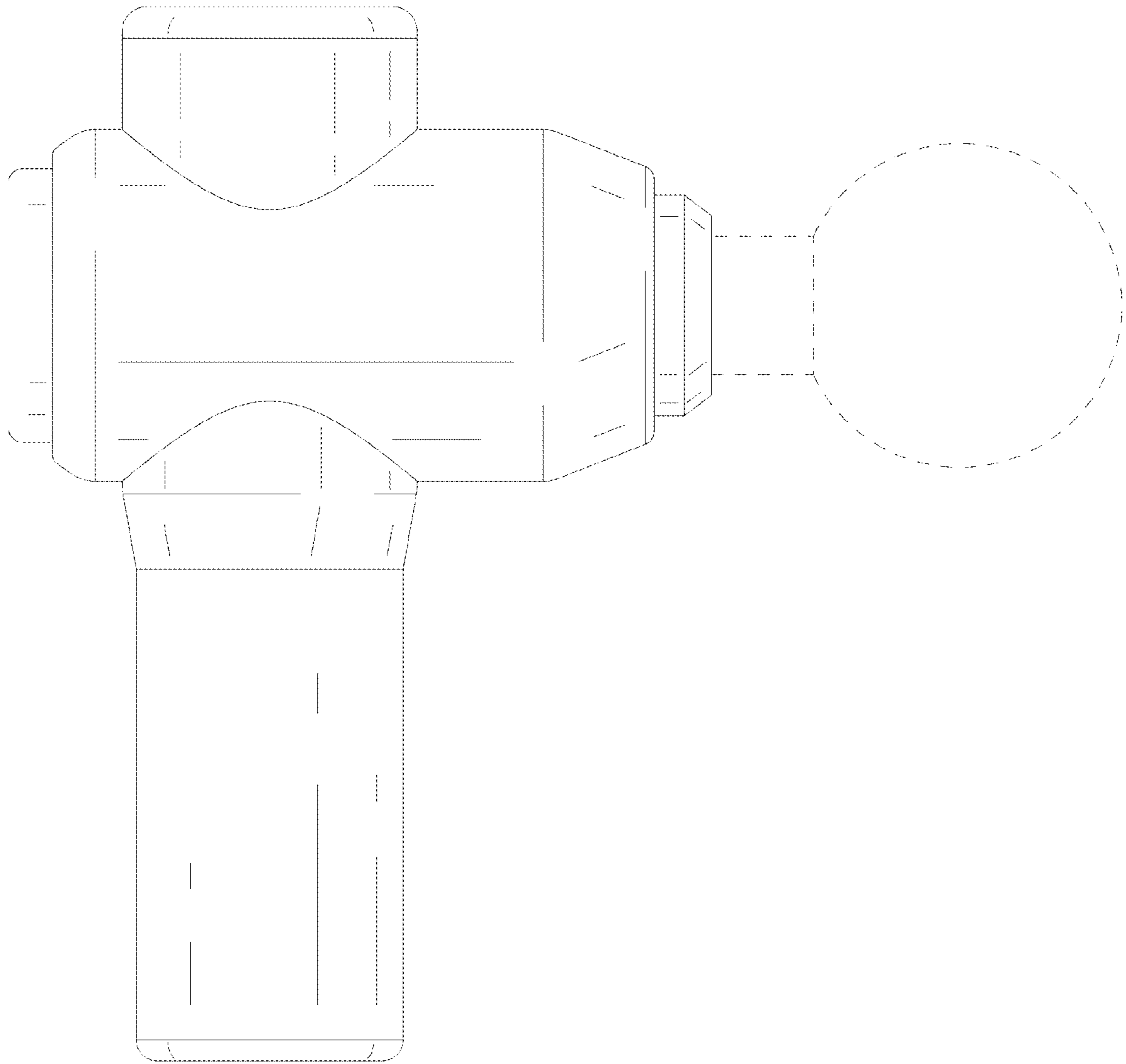


FIG. 3

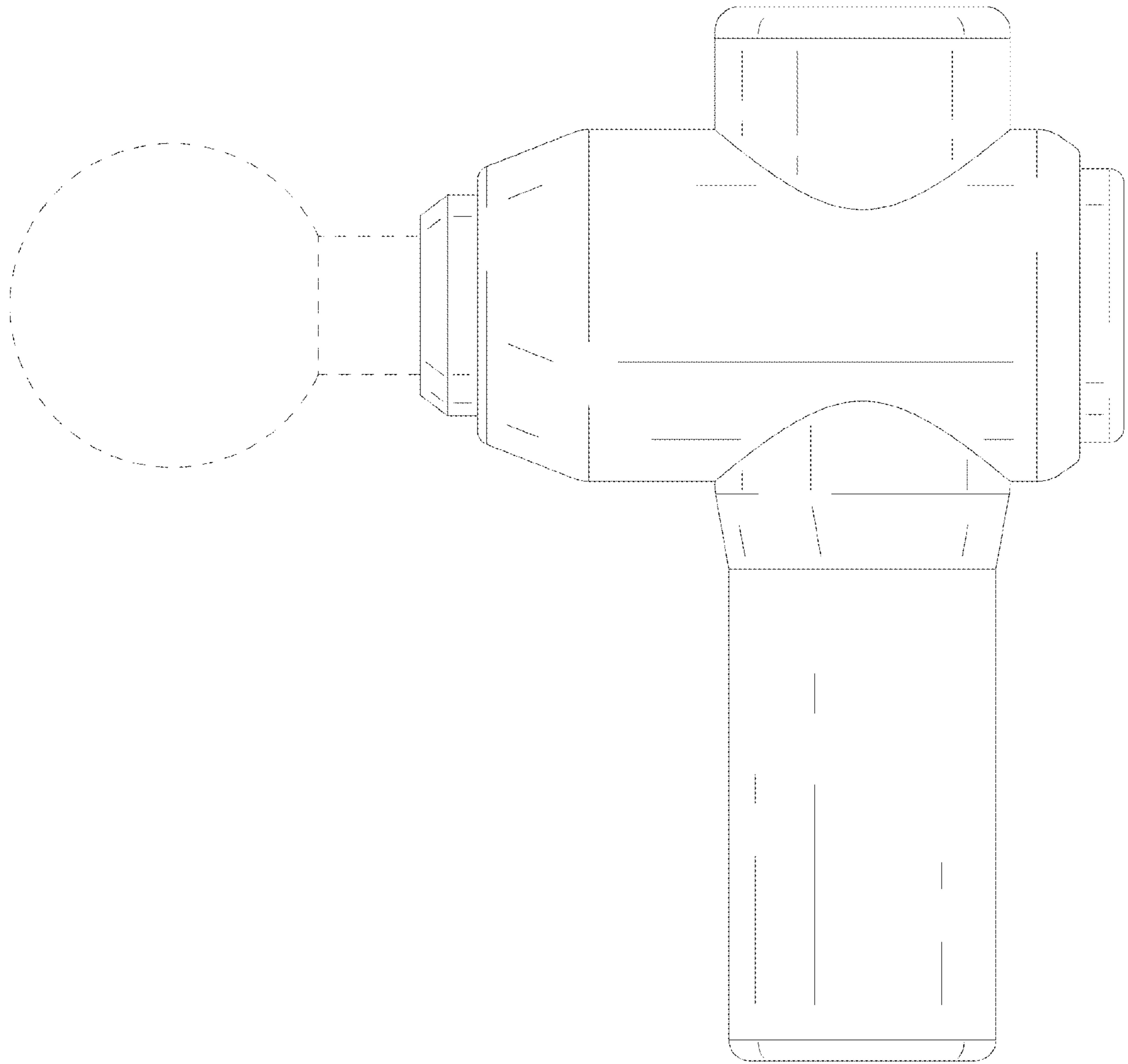


FIG. 4

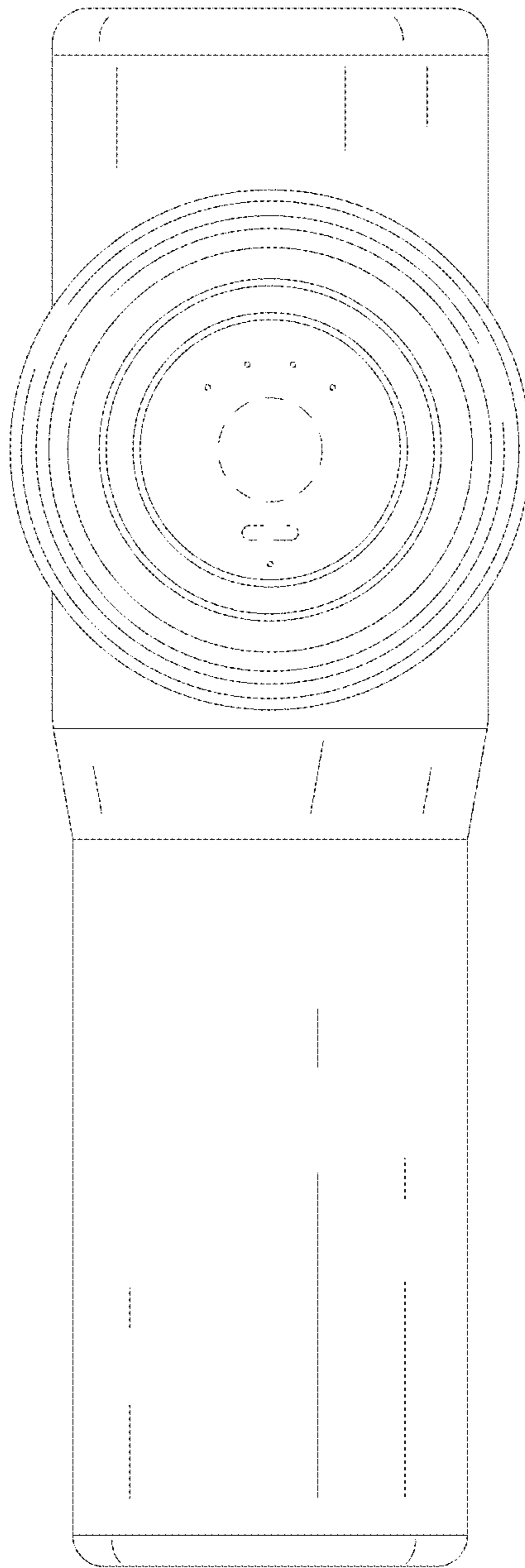


FIG. 5

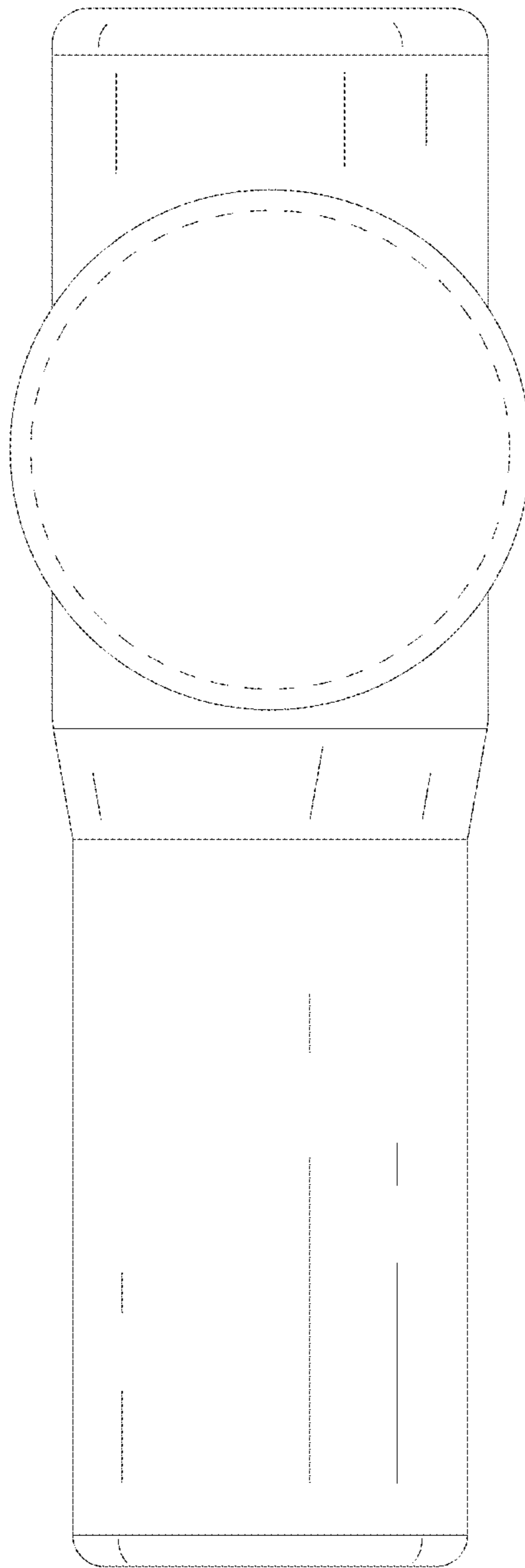


FIG. 6

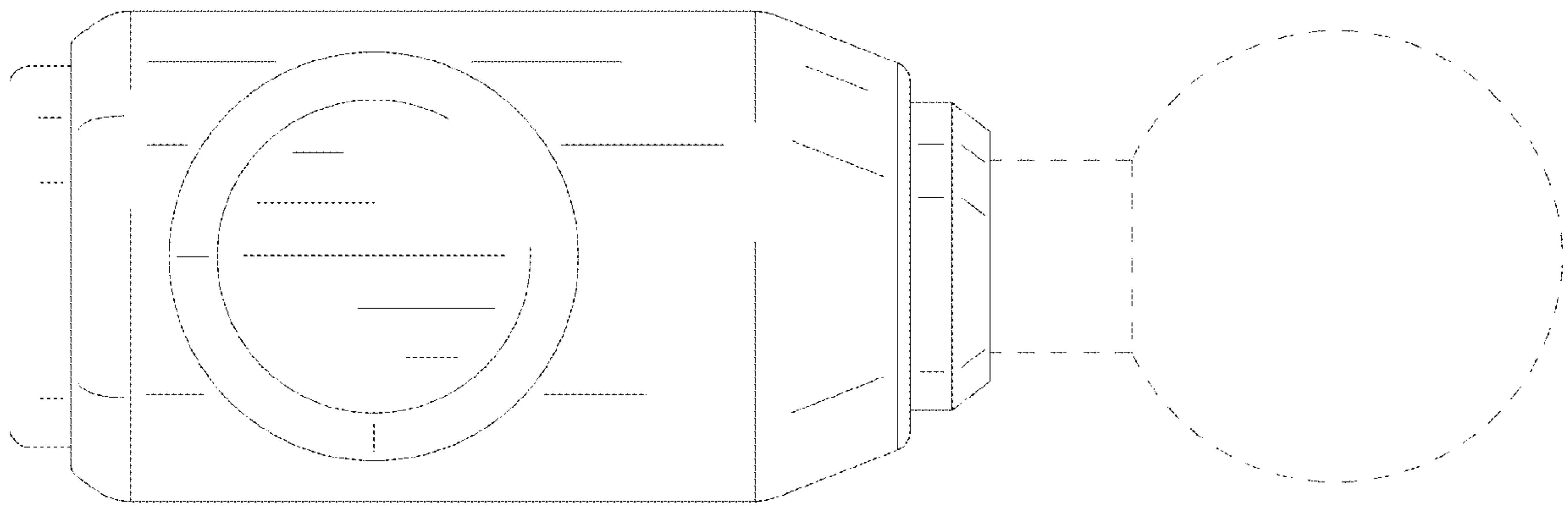


FIG. 7

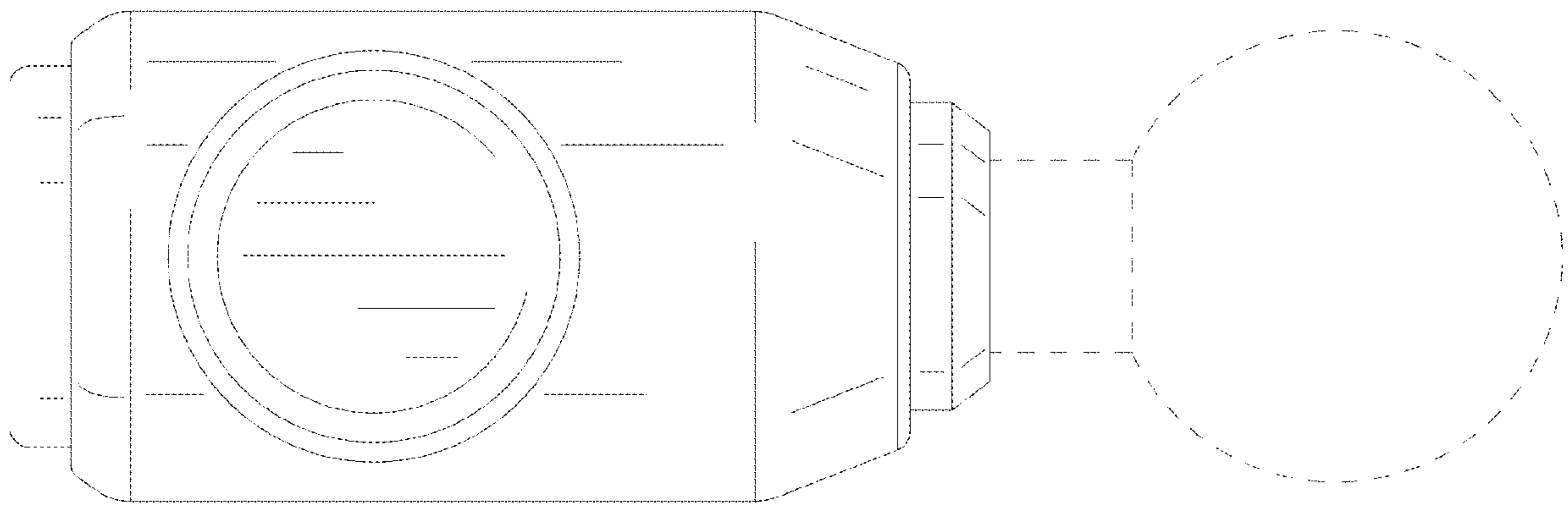


FIG. 8