



US00D972158S

(12) **United States Design Patent**
Chen

(10) **Patent No.:** **US D972,158 S**

(45) **Date of Patent:** **** Dec. 6, 2022**

(54) **EYE MASSAGER**

(71) Applicant: **Huiyin Chen**, Foshan (CN)

(72) Inventor: **Huiyin Chen**, Foshan (CN)

(**) Term: **15 Years**

(21) Appl. No.: **29/819,774**

(22) Filed: **Dec. 17, 2021**

(51) **LOC (13) Cl.** **28-03**

(52) **U.S. Cl.**
USPC **D24/215**

(58) **Field of Classification Search**
USPC D24/200, 211, 212, 213, 214, 215;
D7/323, 326, 358
CPC A61H 23/02; A61H 7/007; A61H 7/00;
A61H 2201/1635; A61H 39/06; A61H
23/06
See application file for complete search history.

(56) **References Cited**

U.S. PATENT DOCUMENTS

D449,696 S * 10/2001 Sulik D24/200
D454,958 S * 3/2002 Sulik D24/200

D648,859 S * 11/2011 Ng D24/212
D799,711 S 10/2017 Sedic
D888,266 S * 6/2020 Zhou D24/215
D896,395 S * 9/2020 Hsu D24/215
D927,681 S * 8/2021 Shen D24/110
D948,064 S * 4/2022 Liu D28/44.1

* cited by examiner

Primary Examiner — Michael A Maharajh

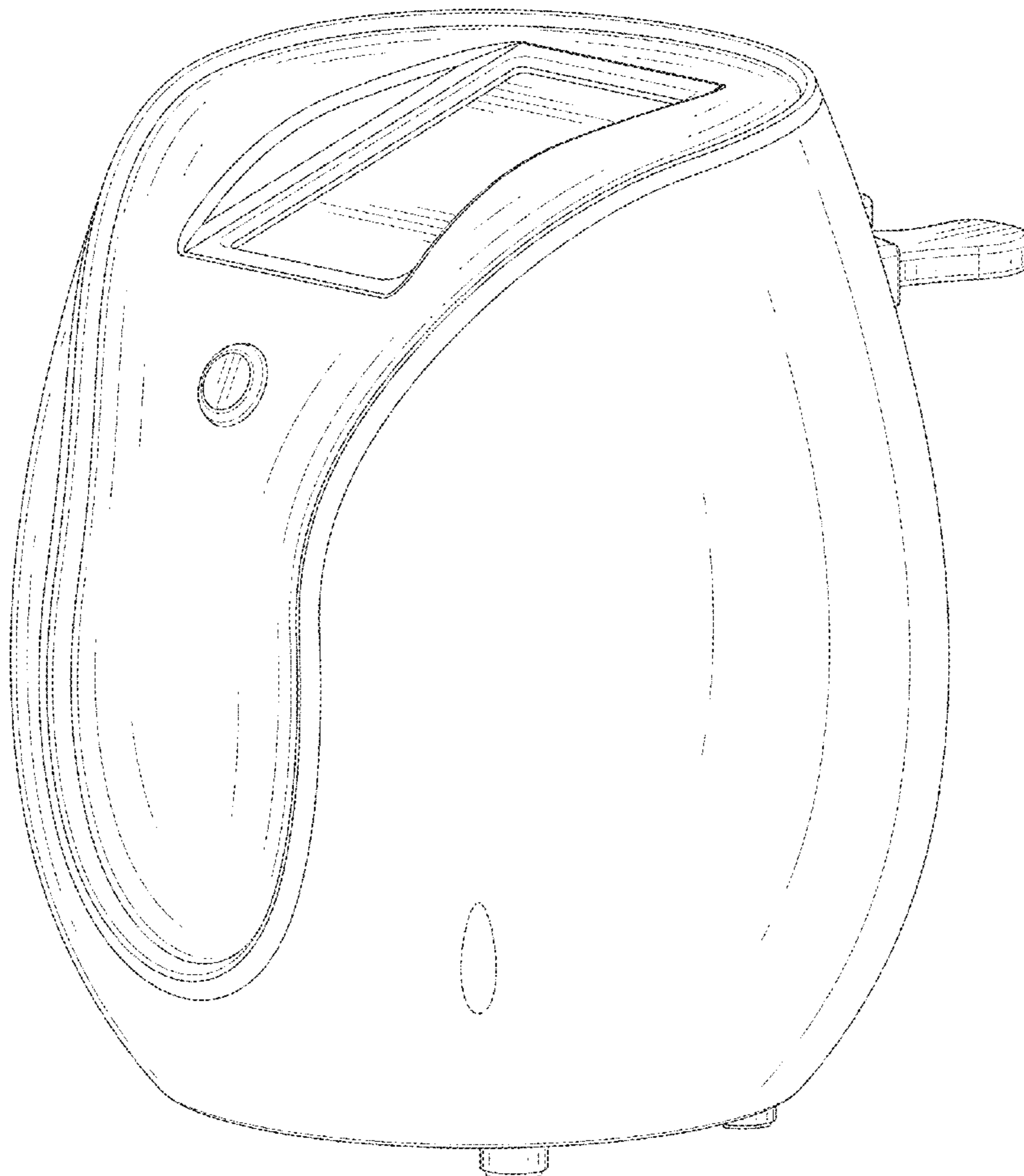
(57) **CLAIM**

The ornamental design for an eye massager, as shown and described.

DESCRIPTION

FIG. 1 is a front and top perspective view of an eye massager, showing my new design;
FIG. 2 is a front elevation view thereof;
FIG. 3 is a rear elevation view thereof;
FIG. 4 is a left side elevation view thereof;
FIG. 5 is a right side elevation view thereof;
FIG. 6 is a top plan view thereof; and,
FIG. 7 is a bottom plan view thereof.
The broken lines in the figures illustrate portions of the eye massager that form no part of the claimed design.

1 Claim, 7 Drawing Sheets



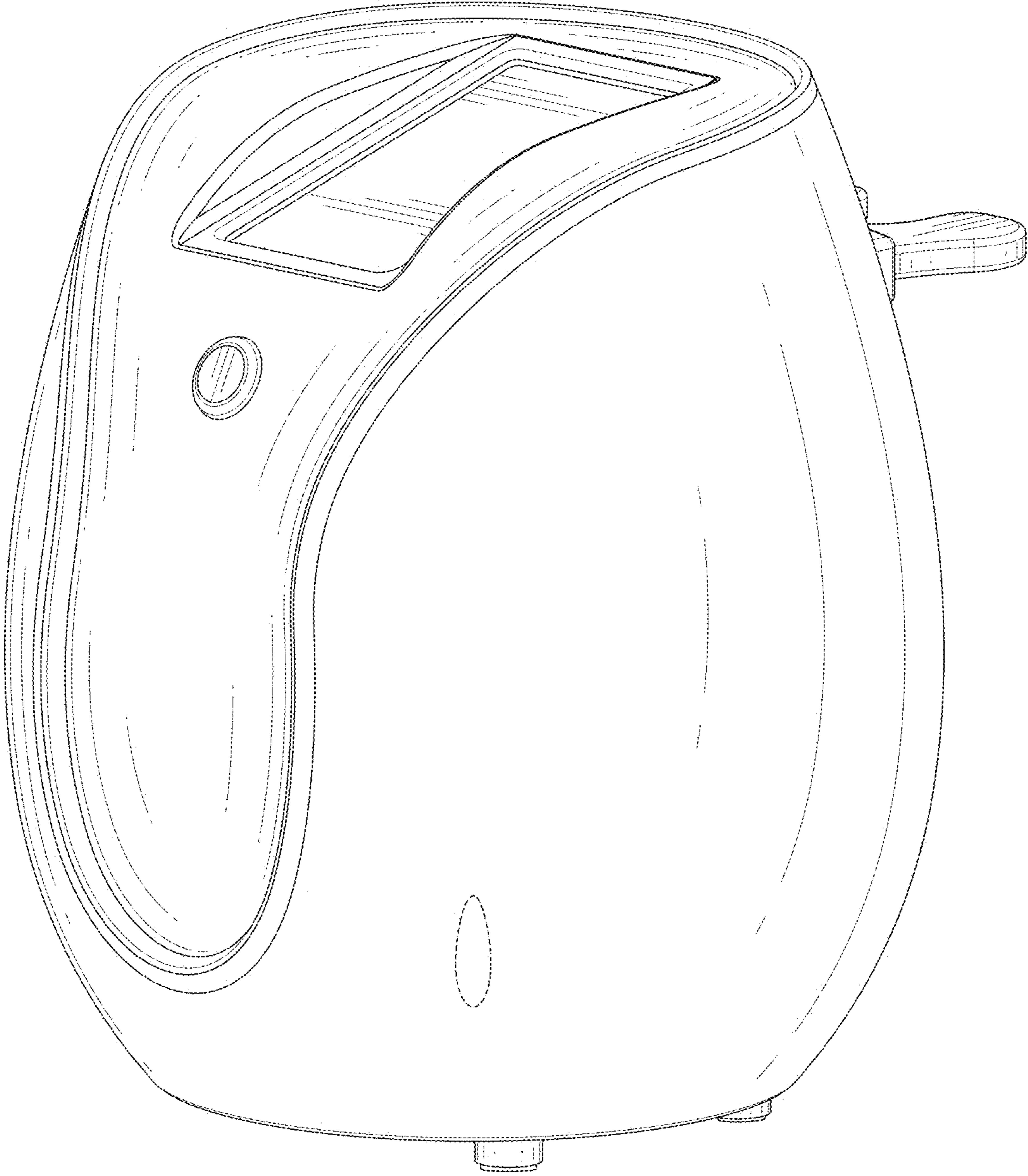


FIG. 1

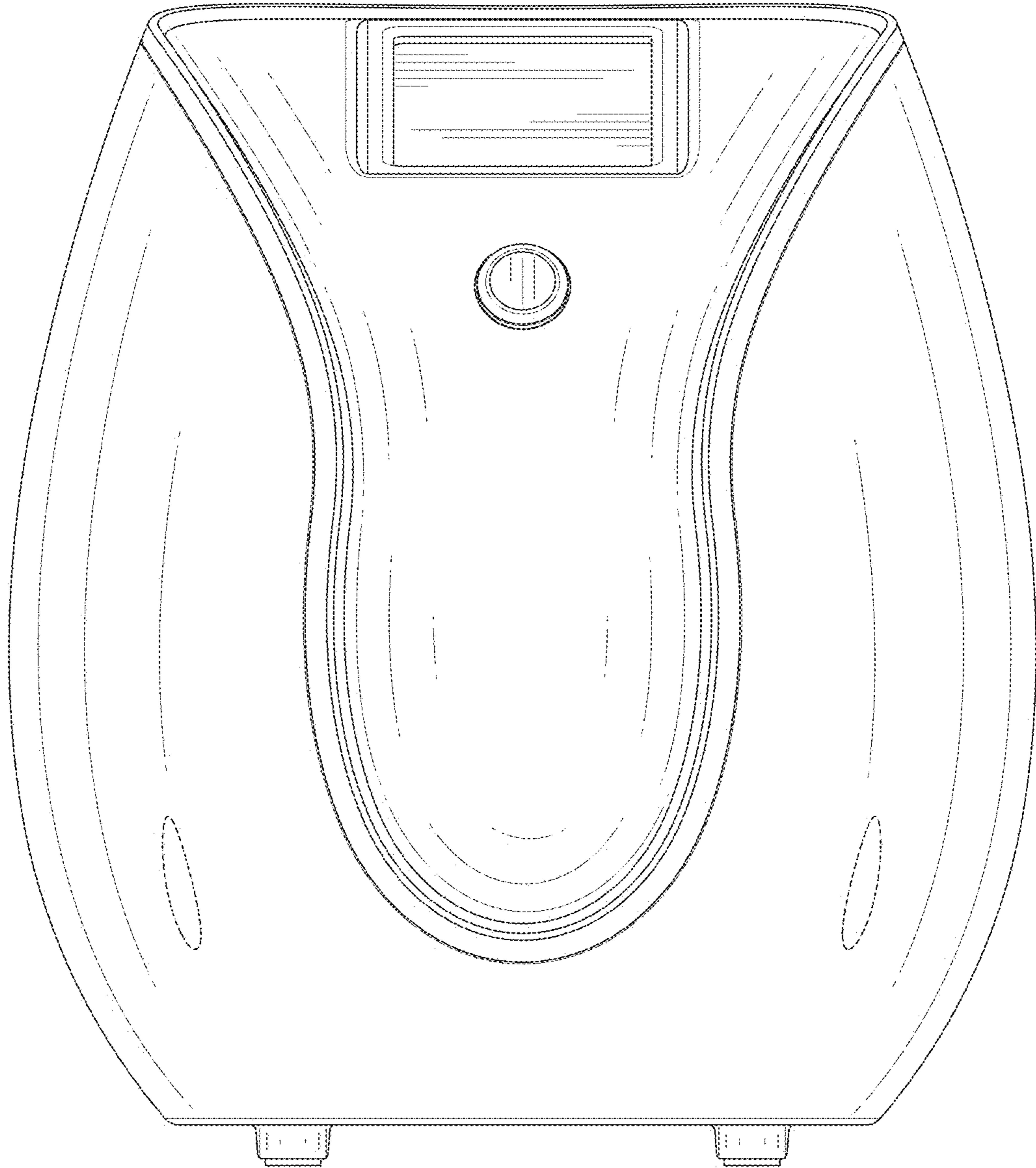


FIG. 2

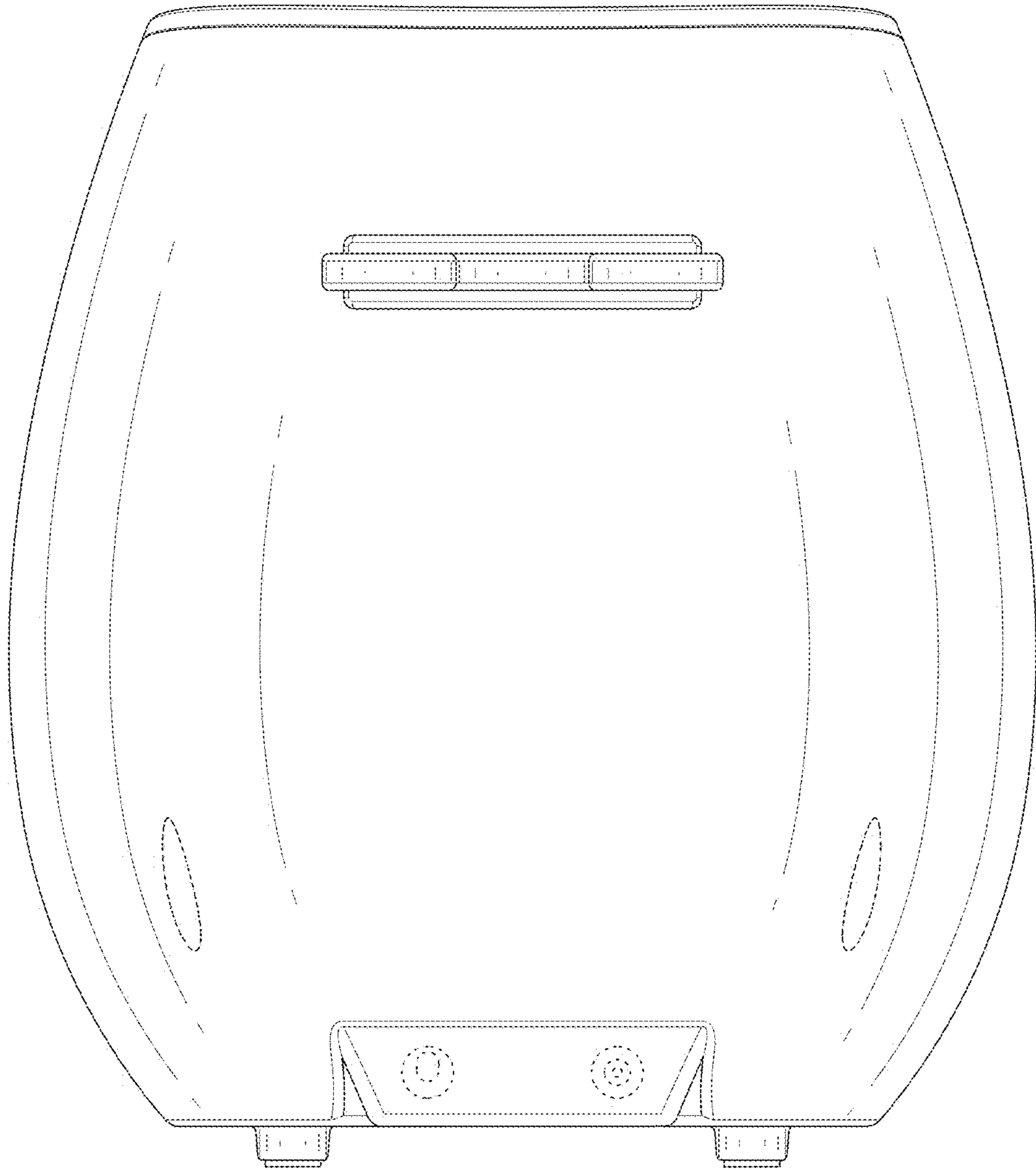


FIG. 3

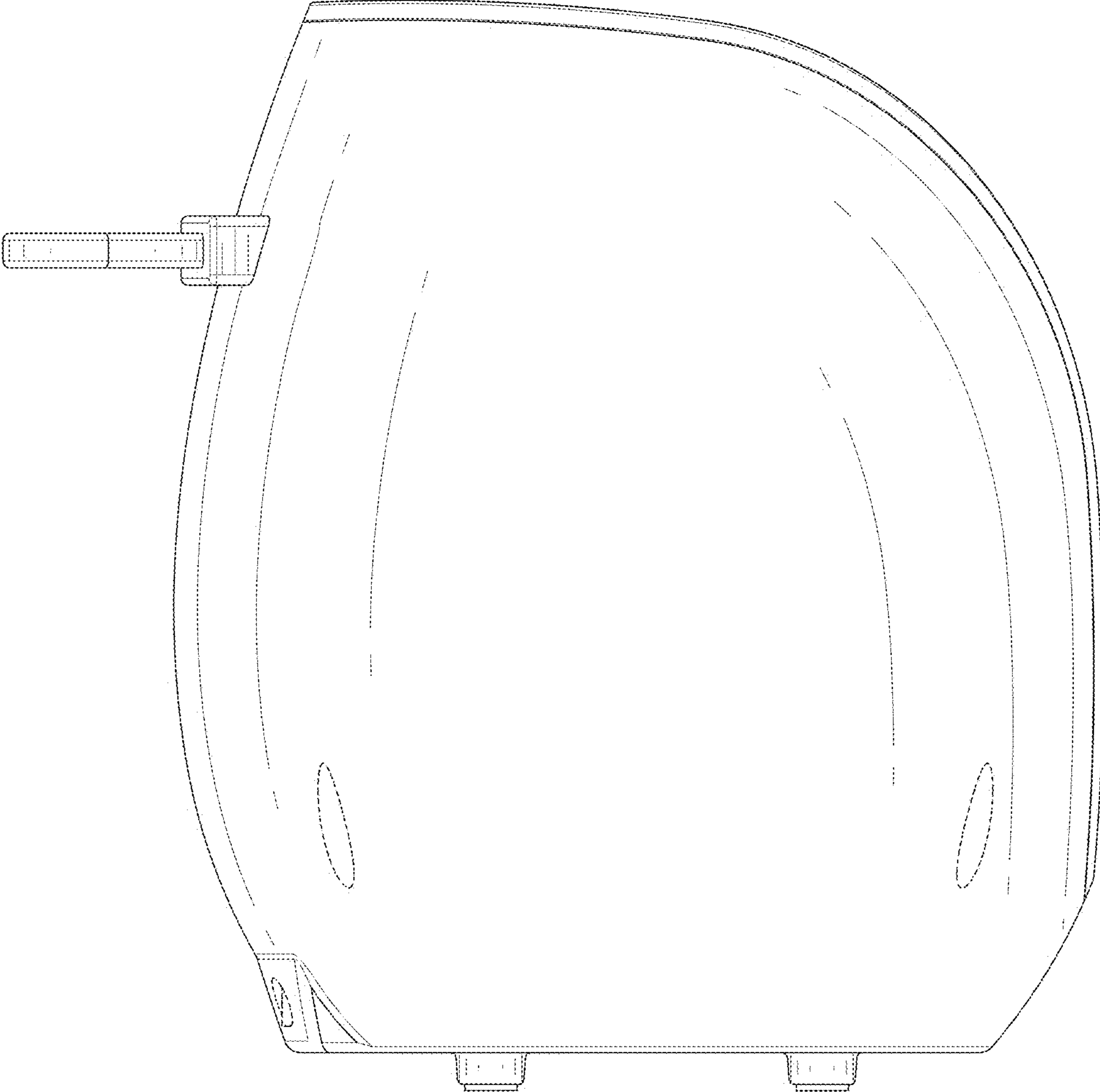


FIG. 4

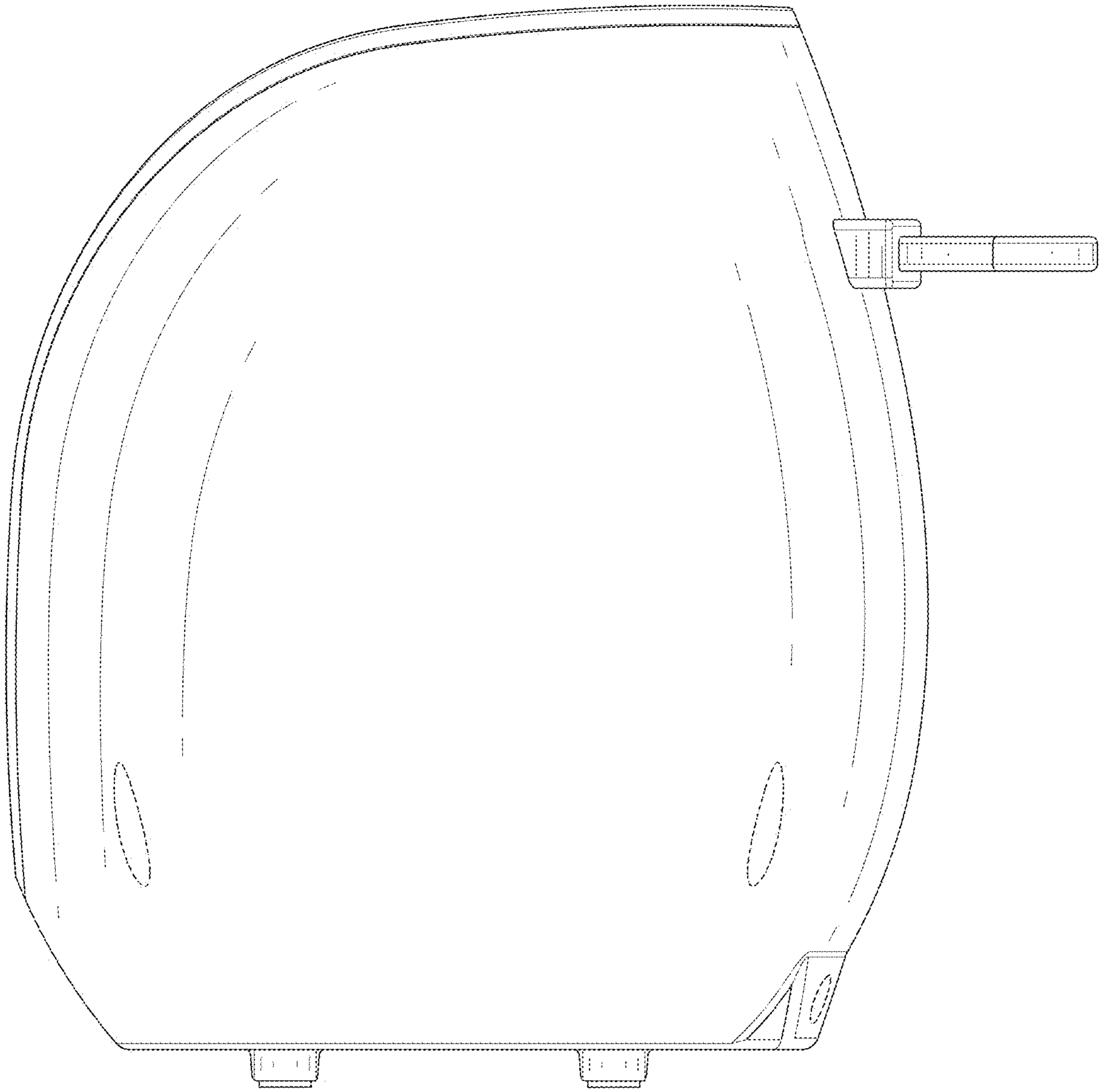


FIG. 5

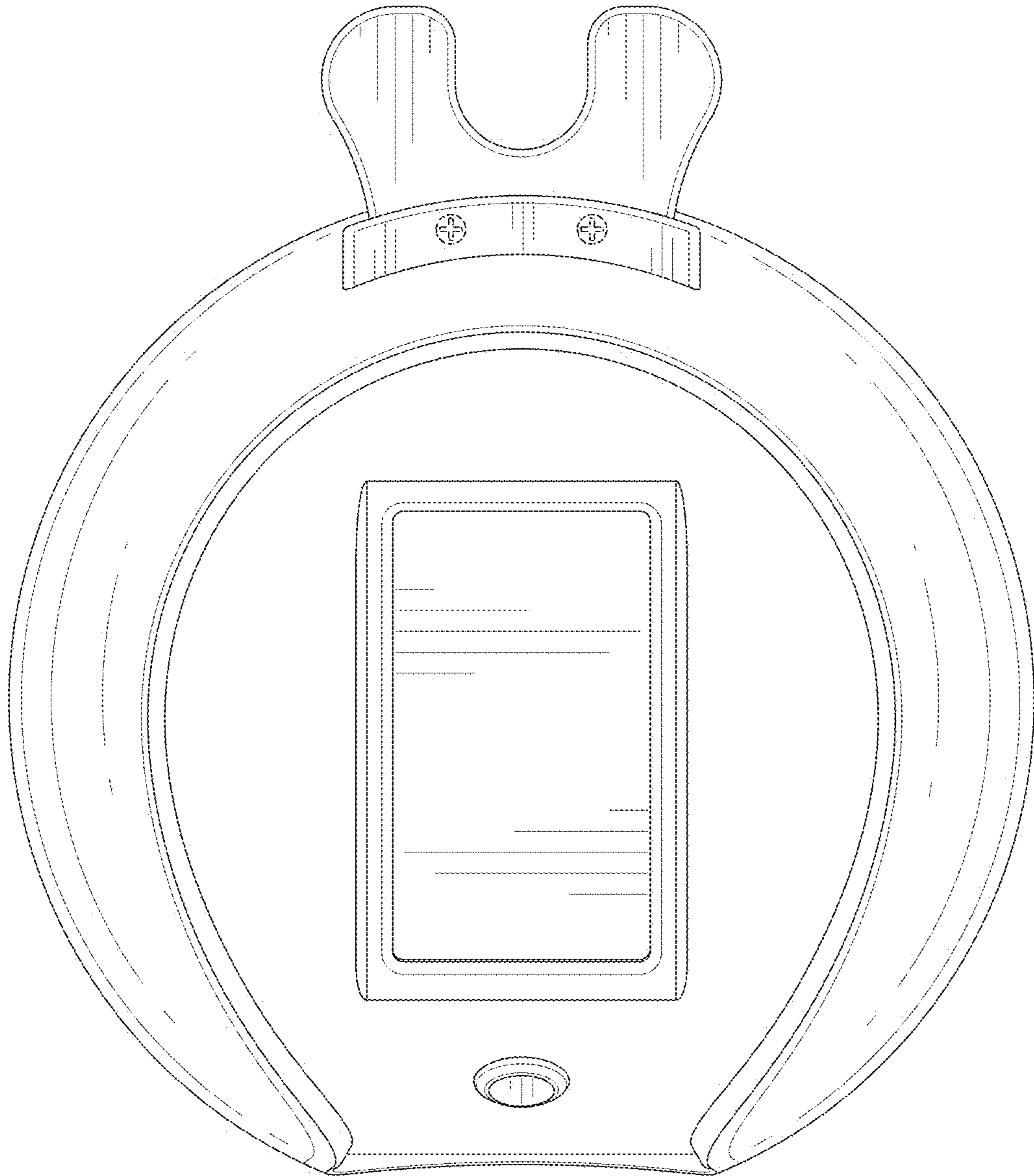


FIG. 6

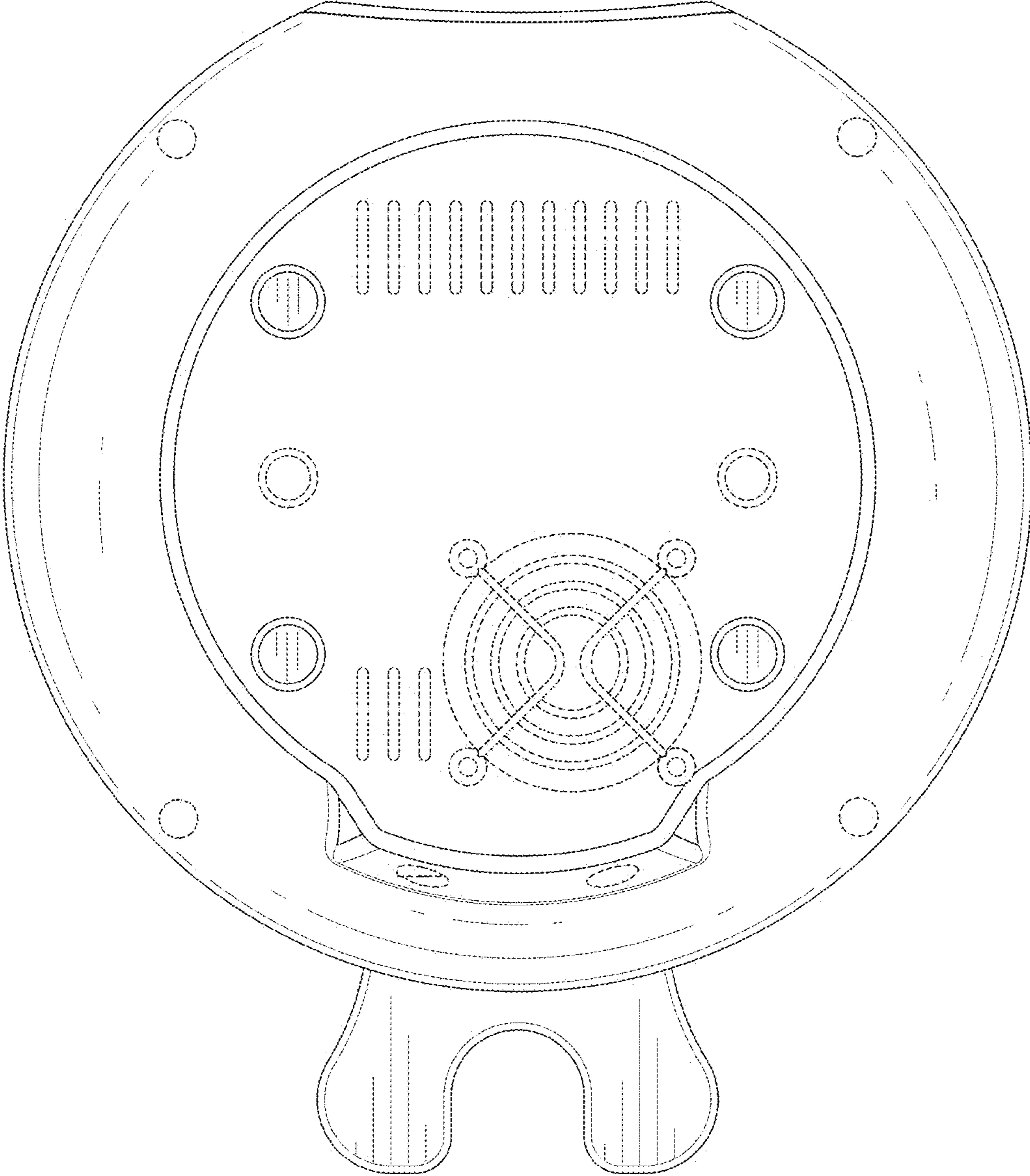


FIG. 7