



US00D972156S

(12) **United States Design Patent**
Xiang

(10) **Patent No.:** **US D972,156 S**

(45) **Date of Patent:** **** Dec. 6, 2022**

(54) **THERAPY LAMP**

(71) Applicant: **Yuanhang Xiang**, Chongqing (CN)

(72) Inventor: **Yuanhang Xiang**, Chongqing (CN)

(**) Term: **15 Years**

(21) Appl. No.: **29/748,941**

(22) Filed: **Sep. 2, 2020**

(51) **LOC (13) Cl.** **28-03**

(52) **U.S. Cl.**
USPC **D24/200**; D24/210

(58) **Field of Classification Search**
USPC D24/200, 209-210, 107; D26/37-39, 106
CPC .. A61N 5/062; A61N 1/36071; A61N 5/0616;
A61N 5/0614; A61N 5/0618; A61N
5/0624; A61N 5/0625; A61N 2005/0644;
A61N 2005/0645; A61N 2005/0652;
A61N 2005/0662; A61B 2018/00452;
A61B 2018/1807

See application file for complete search history.

(56) **References Cited**

U.S. PATENT DOCUMENTS

D875,265 S * 2/2020 Li D24/210
D879,984 S * 3/2020 Hu D24/209

D893,039 S * 8/2020 Harmon D24/209
D899,612 S * 10/2020 Harmon D24/210
D911,540 S * 2/2021 Li D24/210
D925,047 S * 7/2021 Yang D24/210
D925,049 S * 7/2021 Yang D24/210
D925,050 S * 7/2021 Yang D24/210
D949,356 S * 4/2022 Wu D24/209
2007/0129777 A1* 6/2007 Bolta A61N 5/0618
607/88
2020/0132282 A1* 4/2020 Harmon A61N 5/0618

* cited by examiner

Primary Examiner — Wan Laymon

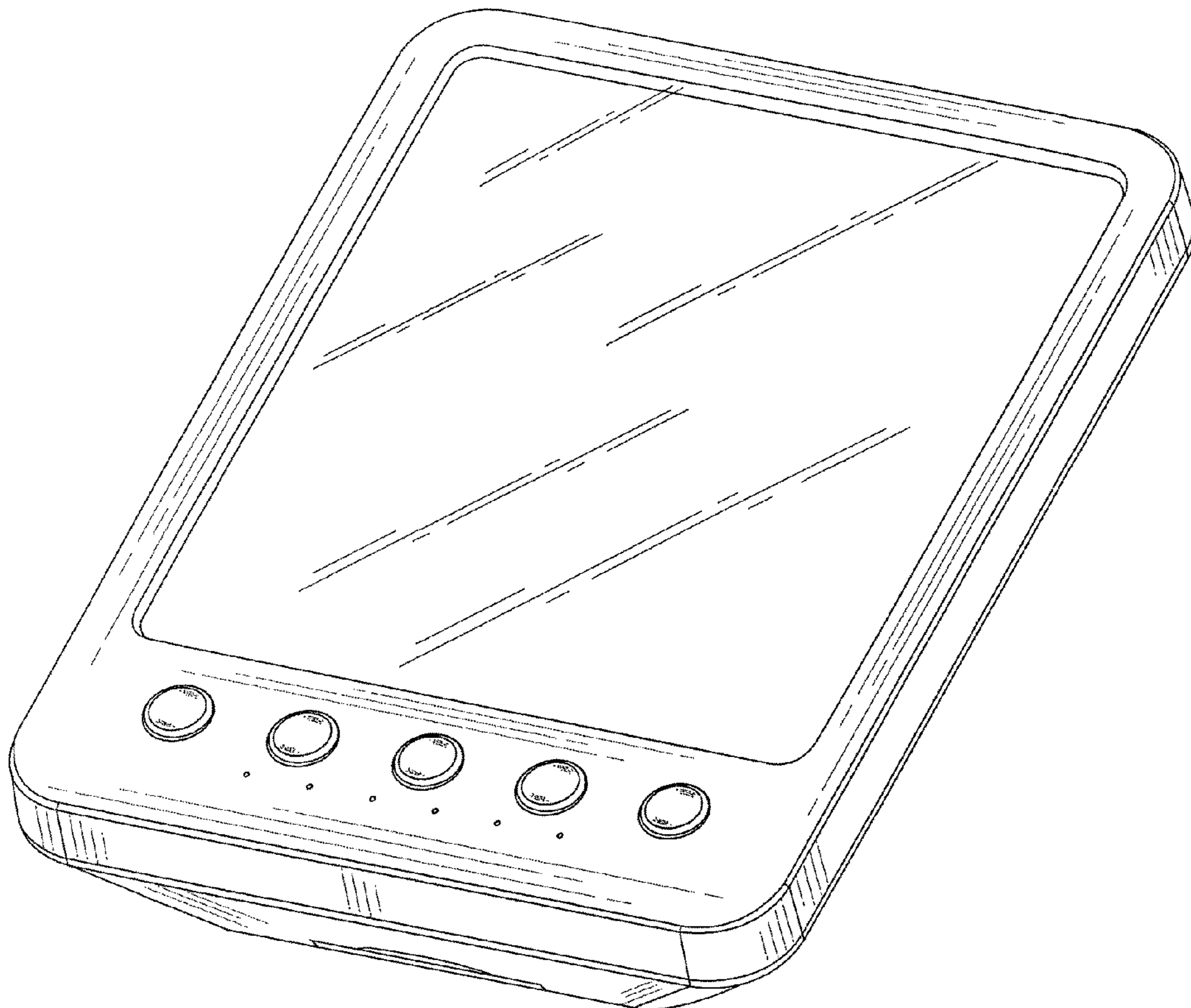
(57) **CLAIM**

The ornamental design for a therapy lamp, as shown and described.

DESCRIPTION

FIG. 1 is a perspective view of a therapy lamp showing my new design;
FIG. 2 is a front elevation view thereof;
FIG. 3 is a rear elevation view thereof;
FIG. 4 is a left side perspective view thereof;
FIG. 5 is a right side perspective view thereof;
FIG. 6 is a top perspective view thereof; and,
FIG. 7 is a bottom perspective view thereof.
The broken lines in the drawings depict portions of the therapy lamp and form no part of the claimed design.

1 Claim, 7 Drawing Sheets



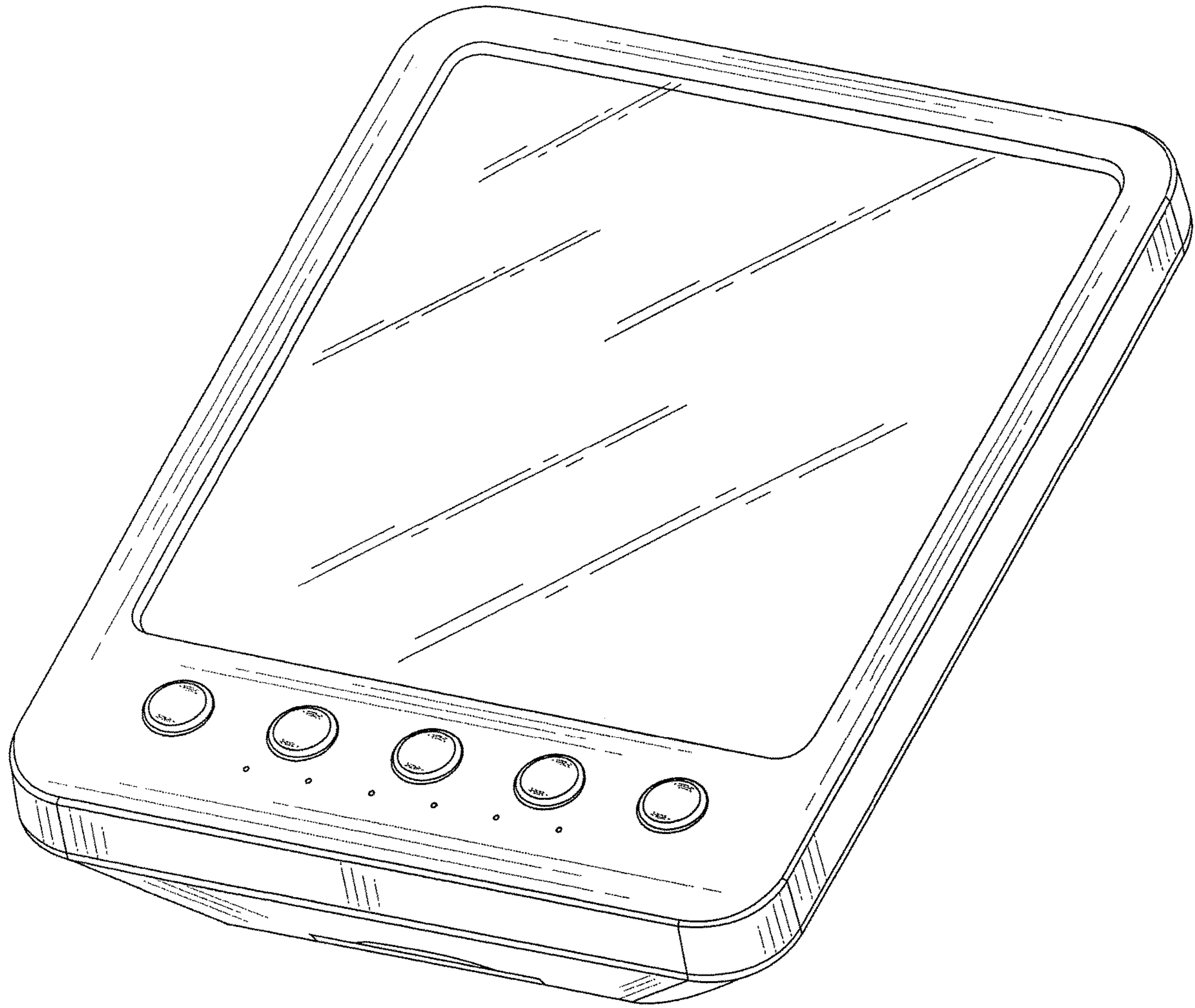


FIG. 1

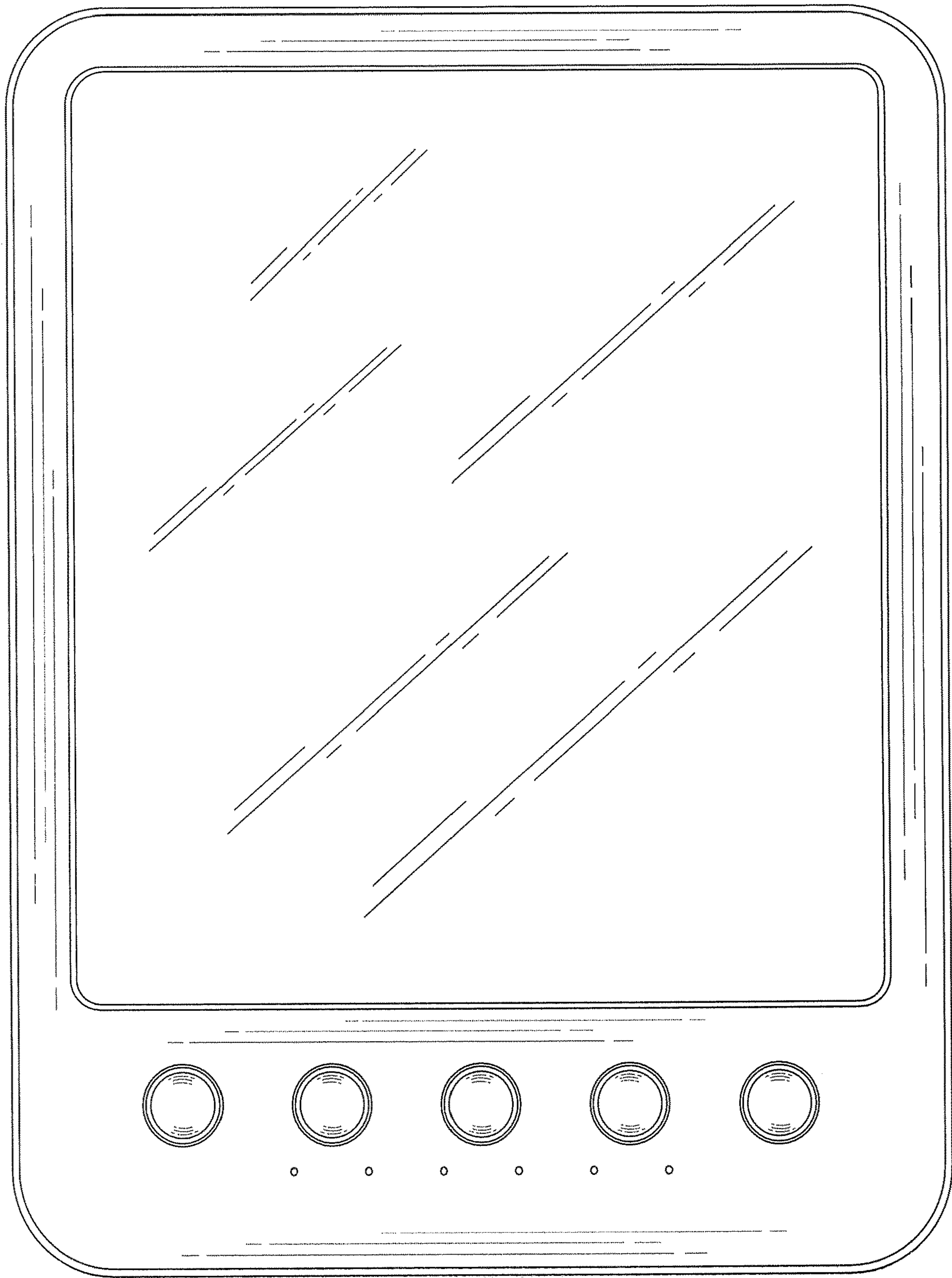


FIG. 2

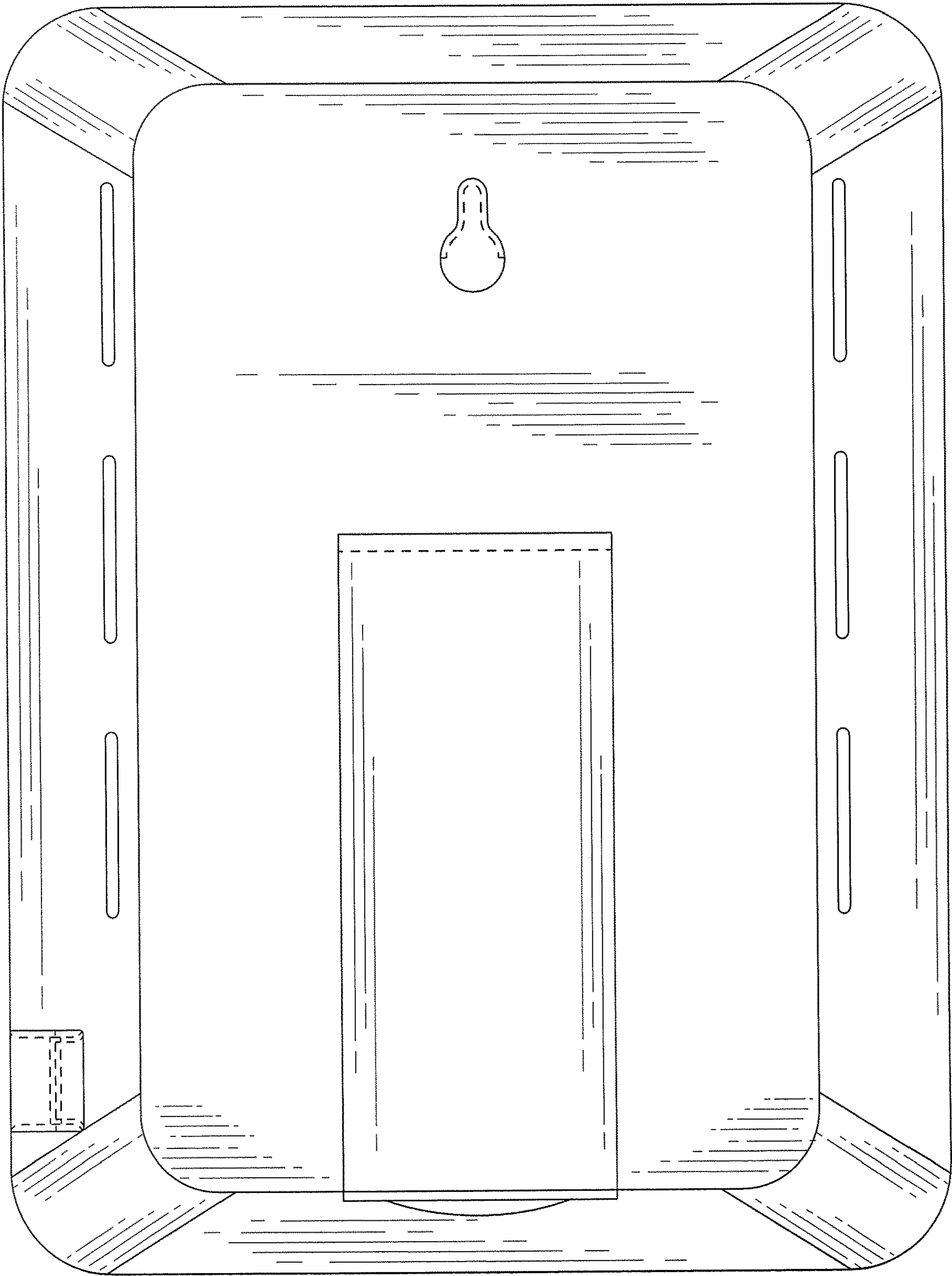


FIG. 3

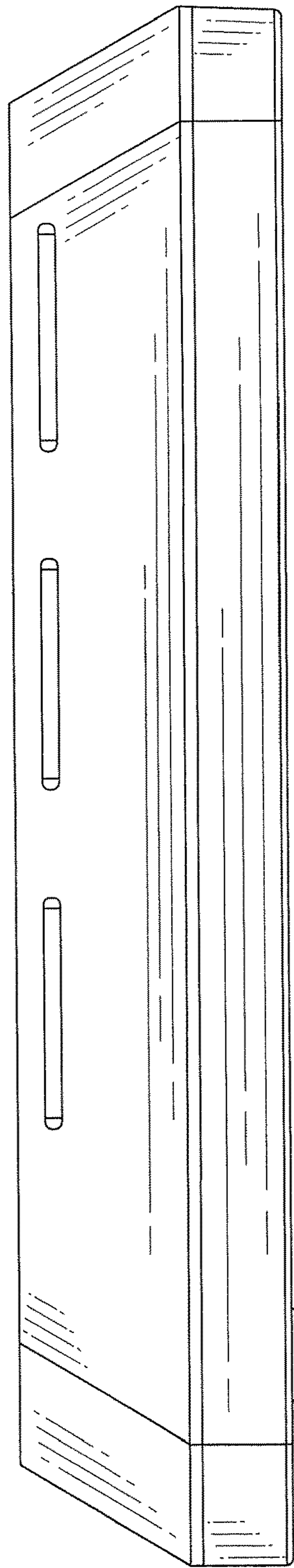


FIG. 4

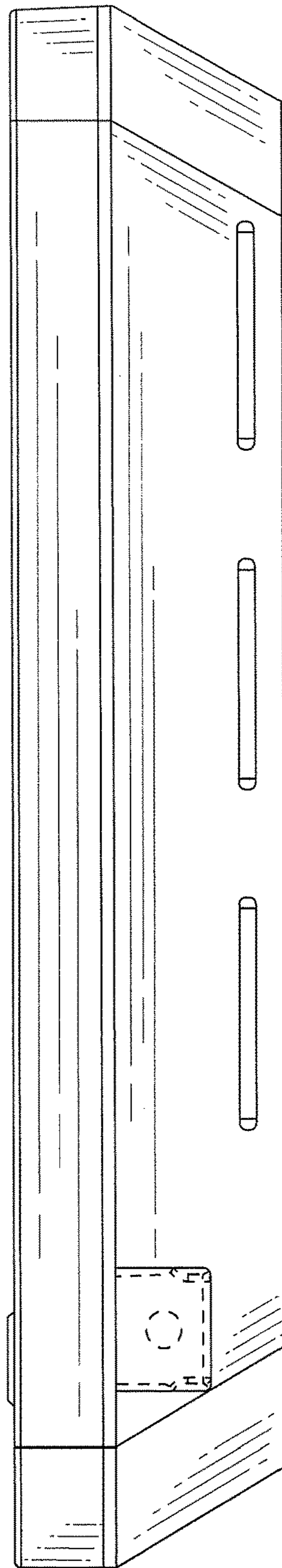


FIG. 5

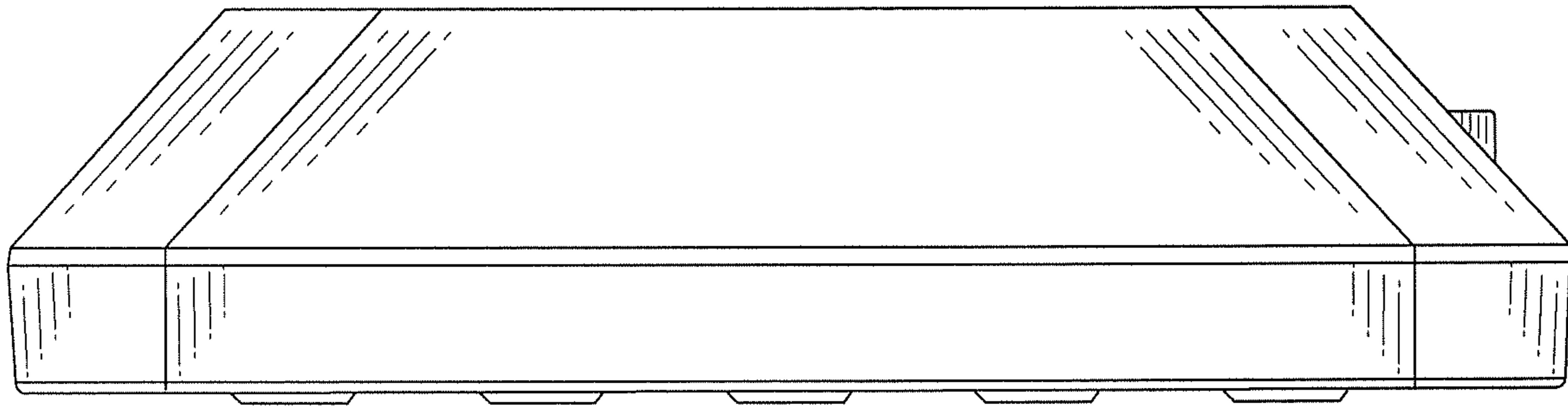


FIG. 6

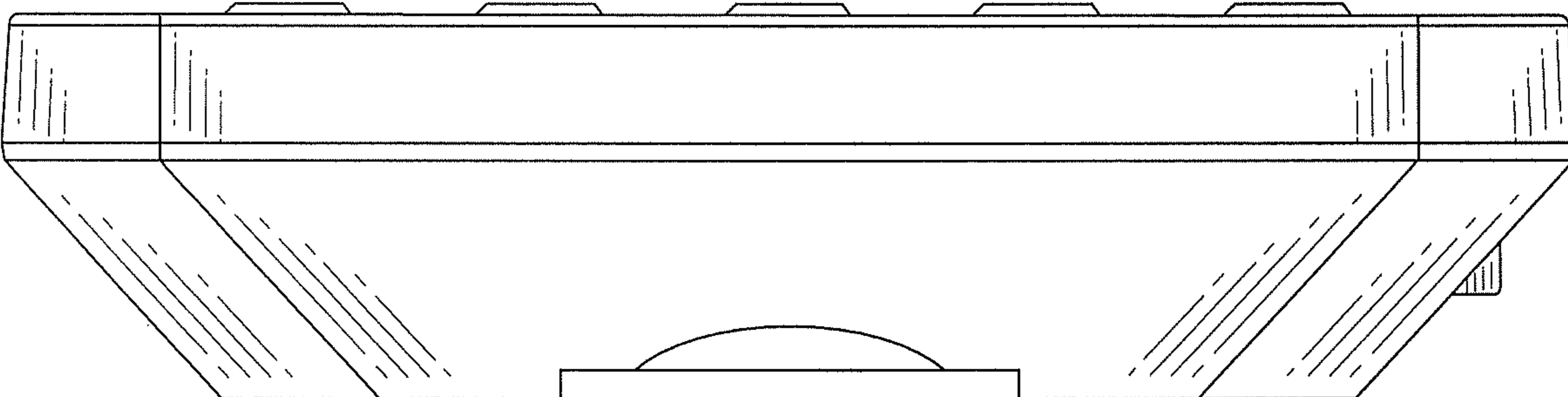


FIG. 7