



US00D972155S

(12) **United States Design Patent**
Li

(10) **Patent No.:** **US D972,155 S**
(45) **Date of Patent:** **** Dec. 6, 2022**

- (54) **FOOT BRACE**
- (71) Applicant: **Shenzhen Xilang E-commerce Co., Ltd.**, Guangdong (CN)
- (72) Inventor: **Zishuai Li**, Guangdong (CN)
- (**) Term: **15 Years**
- (21) Appl. No.: **29/781,486**
- (22) Filed: **Apr. 30, 2021**
- (51) **LOC (13) Cl.** **24-04**
- (52) **U.S. Cl.**
USPC **D24/192**
- (58) **Field of Classification Search**
USPC D24/188–192, 183, 145; D29/101.5, D29/121.1, 113, 114
CPC A61F 13/0203; A61F 13/023; A61F 13/0246; A61F 13/022; A61F 13/0259; A61F 13/065; A61F 13/066; A61F 2013/00846; A61F 2013/00604; A61F 5/0111; A61F 5/0113; A61F 5/0195; A61F 5/01; A61F 5/0585; A61F 5/058; A61F 5/05875; A61L 15/58; A61L 15/26
See application file for complete search history.

(56) **References Cited**

U.S. PATENT DOCUMENTS

1,624,266	A *	4/1927	Luder	A61F 13/066	602/65
1,812,149	A *	6/1931	Hoggson	A61F 13/066	602/65
4,844,058	A *	7/1989	Vogelbach	A61F 13/066	602/27
5,090,404	A *	2/1992	Kallassy	A61F 13/066	602/65
5,217,431	A *	6/1993	Toronto	A61F 13/065	602/65
D388,173	S *	12/1997	Eriksson	D24/190	
D397,797	S *	9/1998	Chiang	D24/192	
D403,776	S *	1/1999	Brennan	D24/192	

D411,355	S *	6/1999	Roper	D24/190	
D412,581	S *	8/1999	Brennan	A61F 5/0111	D24/192
6,267,742	B1 *	7/2001	Krivosha	A61F 5/0585	128/882
D482,792	S *	11/2003	McCormick	D24/192	
D499,185	S *	11/2004	Rabe	D24/192	
7,128,725	B2 *	10/2006	Rabe	A61F 5/0111	602/29
D543,281	S *	5/2007	Rabe	D24/192	
7,252,647	B1 *	8/2007	Hely	A61F 5/0111	602/65

(Continued)

Primary Examiner — T Chase Nelson
Assistant Examiner — Kelly L Gross

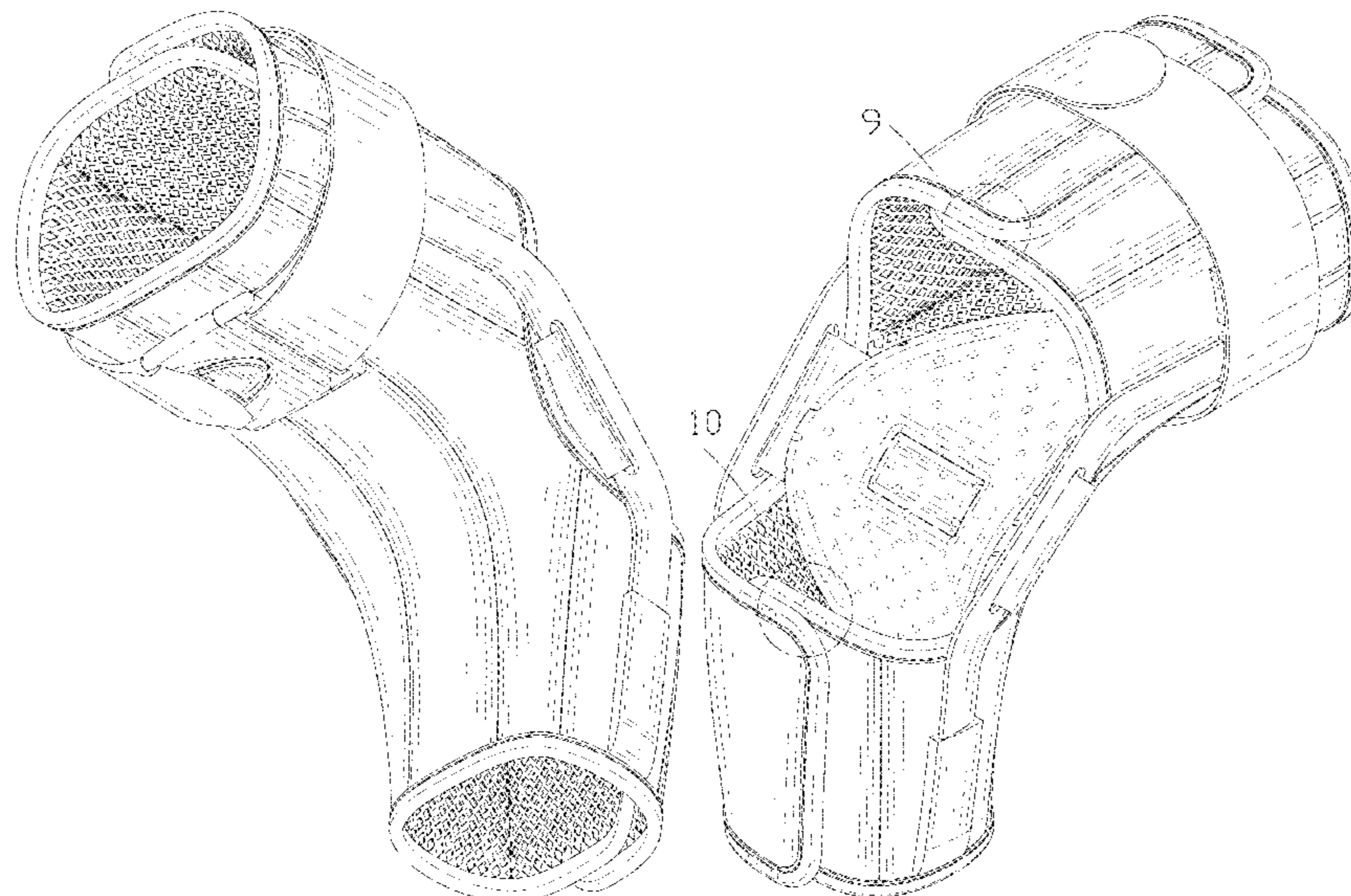
(57) **CLAIM**

The ornamental design for a foot brace, as shown and described.

DESCRIPTION

FIG. 1 is a front and top perspective view of a foot brace, showing my new design;
 FIG. 2 is a rear and bottom perspective view thereof;
 FIG. 3 is a front elevation view thereof;
 FIG. 4 is a rear elevation view thereof;
 FIG. 5 is a left side elevation view thereof;
 FIG. 6 is a right side elevation view thereof;
 FIG. 7 is a top plan view thereof;
 FIG. 8 is a bottom plan view thereof;
 FIG. 9 is an enlarged view of a portion indicated with numeric 9 in FIG. 2; and,
 FIG. 10 is an enlarged view of a portion indicated with numeric 10 in FIG. 2.
 The dashed broken lines in the figures illustrate portions of the article that form no part of the claimed design. The dash dot dash lines in FIGS. 2, 9 and 10 are for the purpose of depicting the cut line of the enlarged view and form no part of the claim.

1 Claim, 10 Drawing Sheets



(56)

References Cited

U.S. PATENT DOCUMENTS

7,753,865 B1 * 7/2010 Hely A61F 5/0111
 128/882
 D638,950 S * 5/2011 Janzon D24/192
 D663,852 S * 7/2012 Joseph D24/192
 D682,434 S * 5/2013 Heyd A61F 5/0127
 D24/192
 D696,409 S * 12/2013 Best D24/192
 8,721,578 B2 * 5/2014 Gaylord A61F 5/0102
 602/65
 9,421,117 B1 * 8/2016 Hames A61F 5/0127
 D804,044 S 11/2017 Savard
 9,839,547 B2 * 12/2017 Heyd A61F 5/0104
 D814,043 S * 3/2018 Danek A61F 5/0111
 D24/192
 10,092,436 B2 * 10/2018 Heyd A61F 5/0111
 D834,205 S * 11/2018 Ducharme D24/192
 D834,207 S * 11/2018 Ducharme D24/192
 D839,439 S * 1/2019 Ducharme D24/192
 D844,156 S * 3/2019 Voskuilen A61F 5/0111
 D24/192

D882,099 S * 4/2020 Zhu D24/190
 D884,910 S * 5/2020 Schiaparelli D24/192
 D885,594 S * 5/2020 Schiaparelli D24/192
 D897,547 S * 9/2020 Kuehl A61F 13/065
 D24/192
 D923,805 S * 6/2021 Li D24/207
 D927,000 S * 8/2021 Kuehl A61F 13/066
 D24/192
 11,103,376 B1 * 8/2021 Gramaglia A61F 5/0127
 D939,095 S * 12/2021 Ren A61F 13/066
 D24/190
 2002/0115951 A1 * 8/2002 Norstrem A61F 5/0111
 602/23
 2003/0233062 A1 * 12/2003 McCormick A61F 5/0111
 602/65
 2007/0197944 A1 * 8/2007 Bruce A61F 5/0106
 602/26
 2009/0143704 A1 * 6/2009 Bonneau A61F 5/0111
 600/595
 2009/0192428 A1 * 7/2009 DeBoer A61F 13/065
 602/65

* cited by examiner

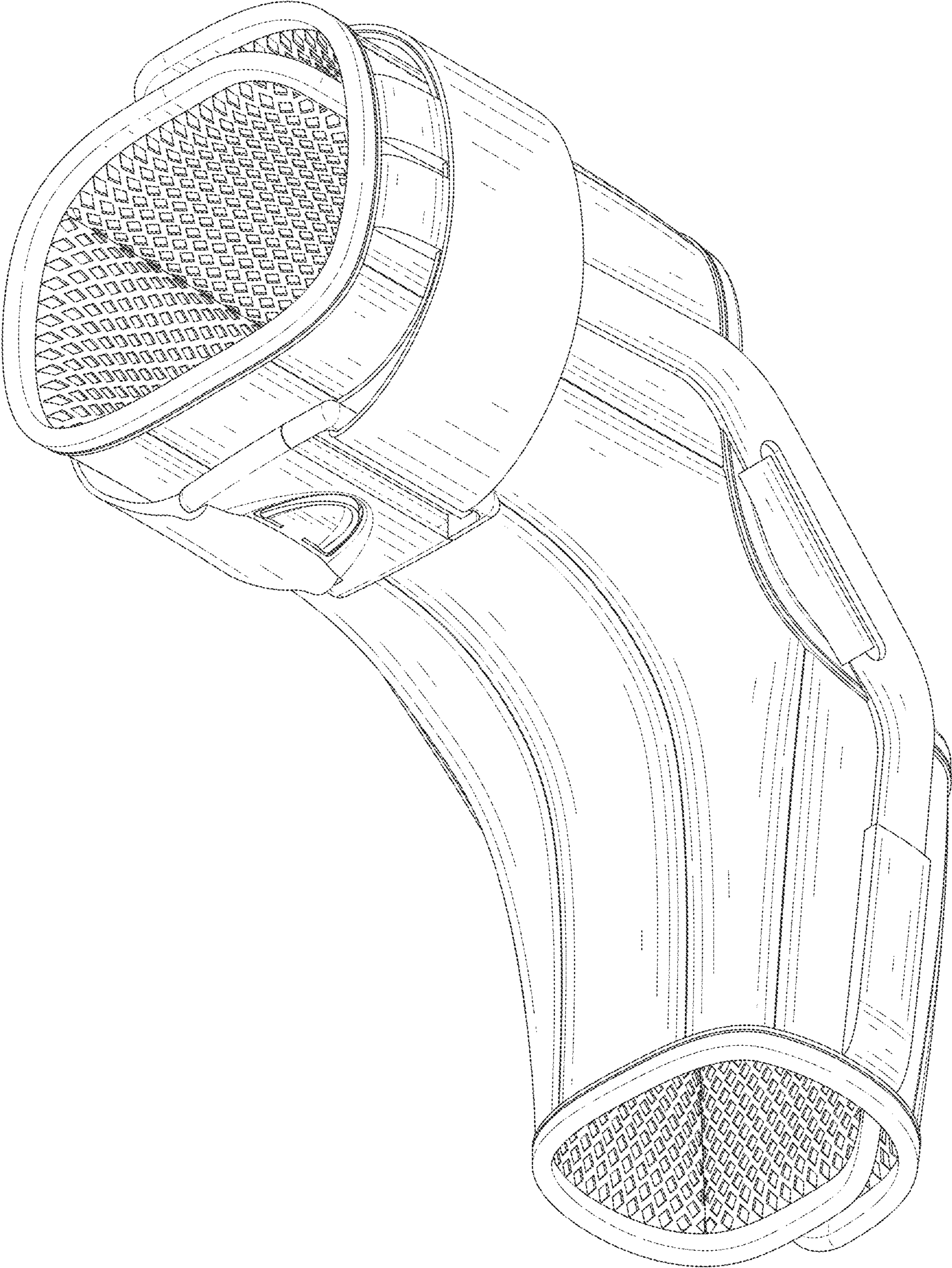


FIG. 1

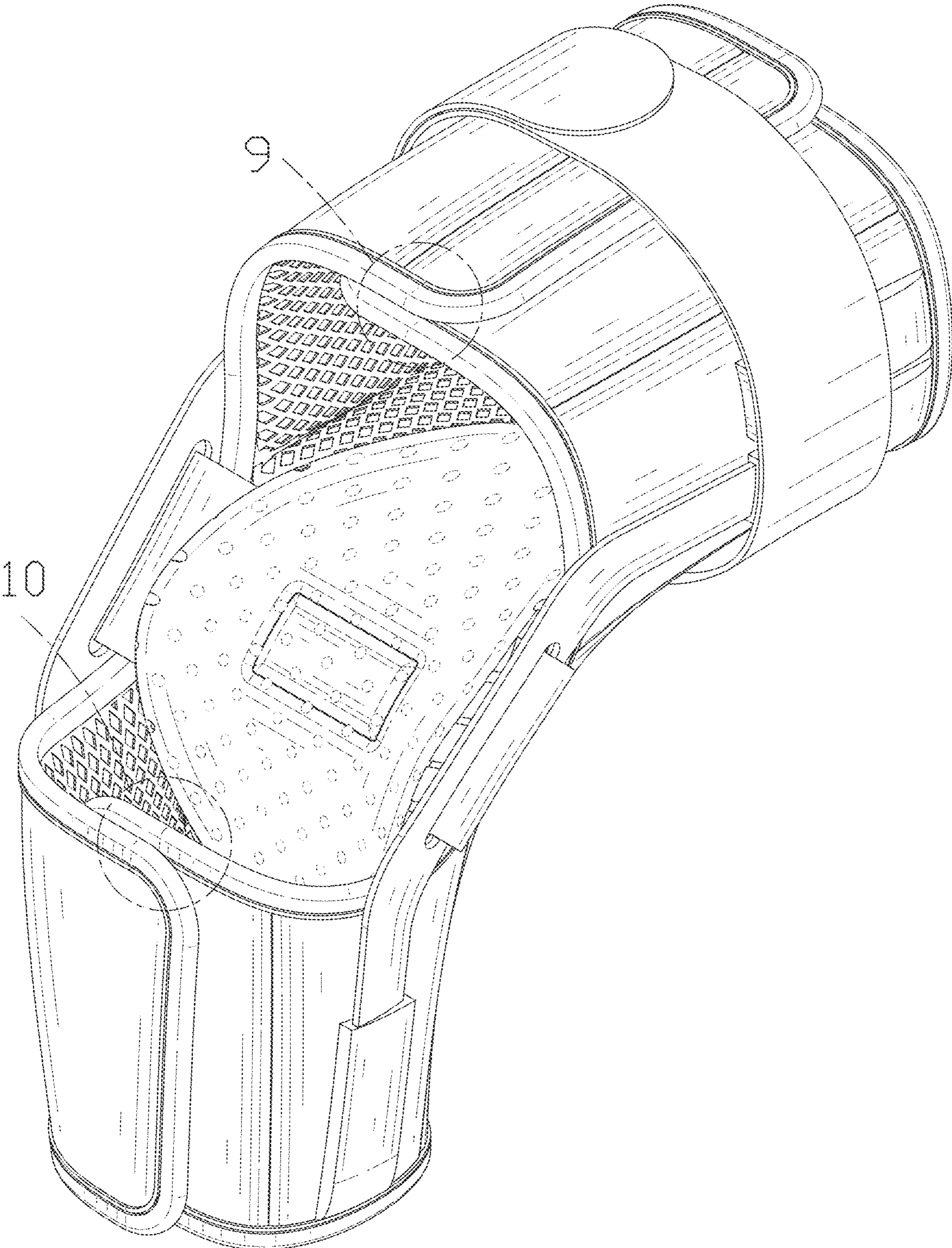


FIG. 2

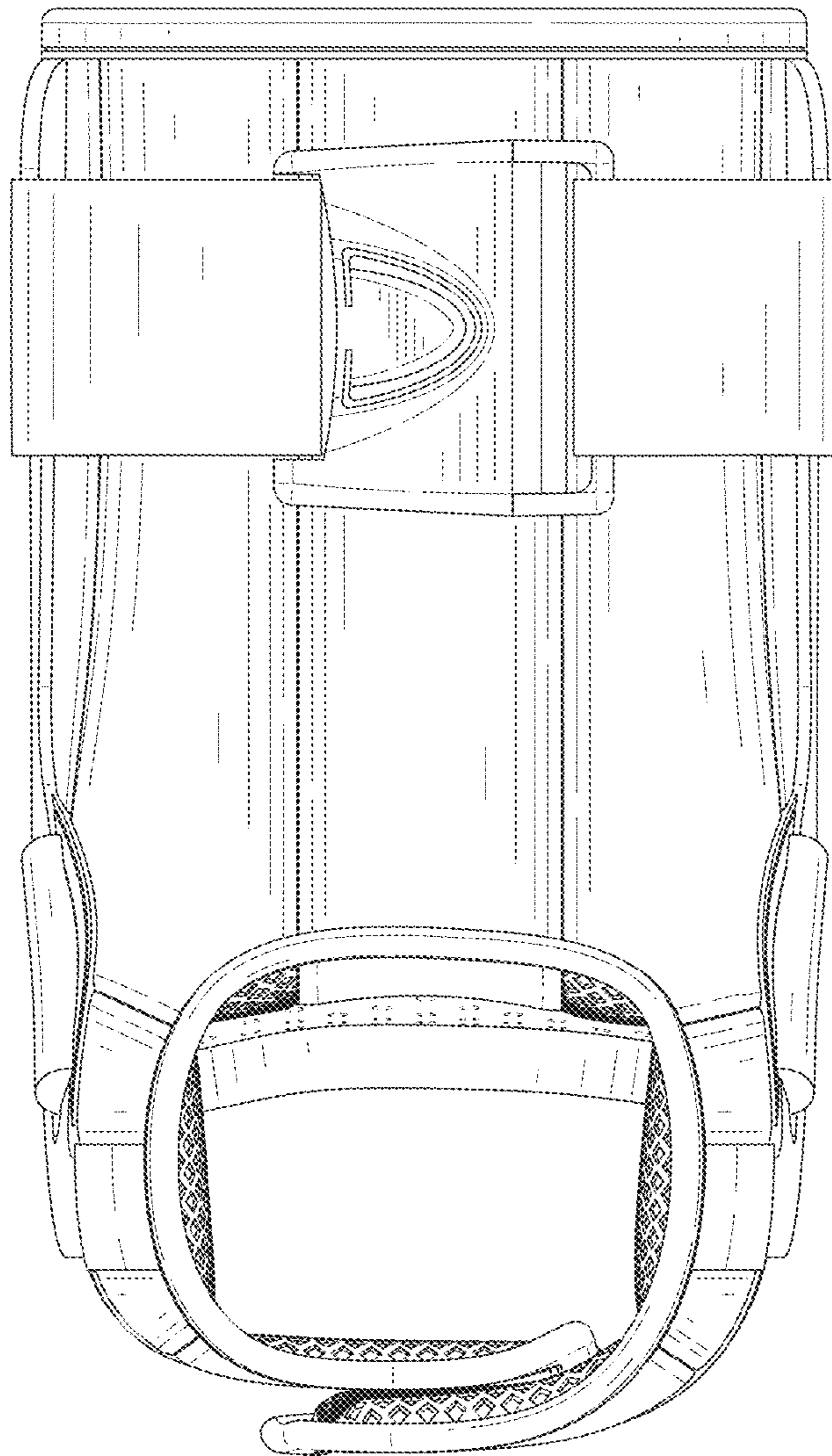


FIG. 3

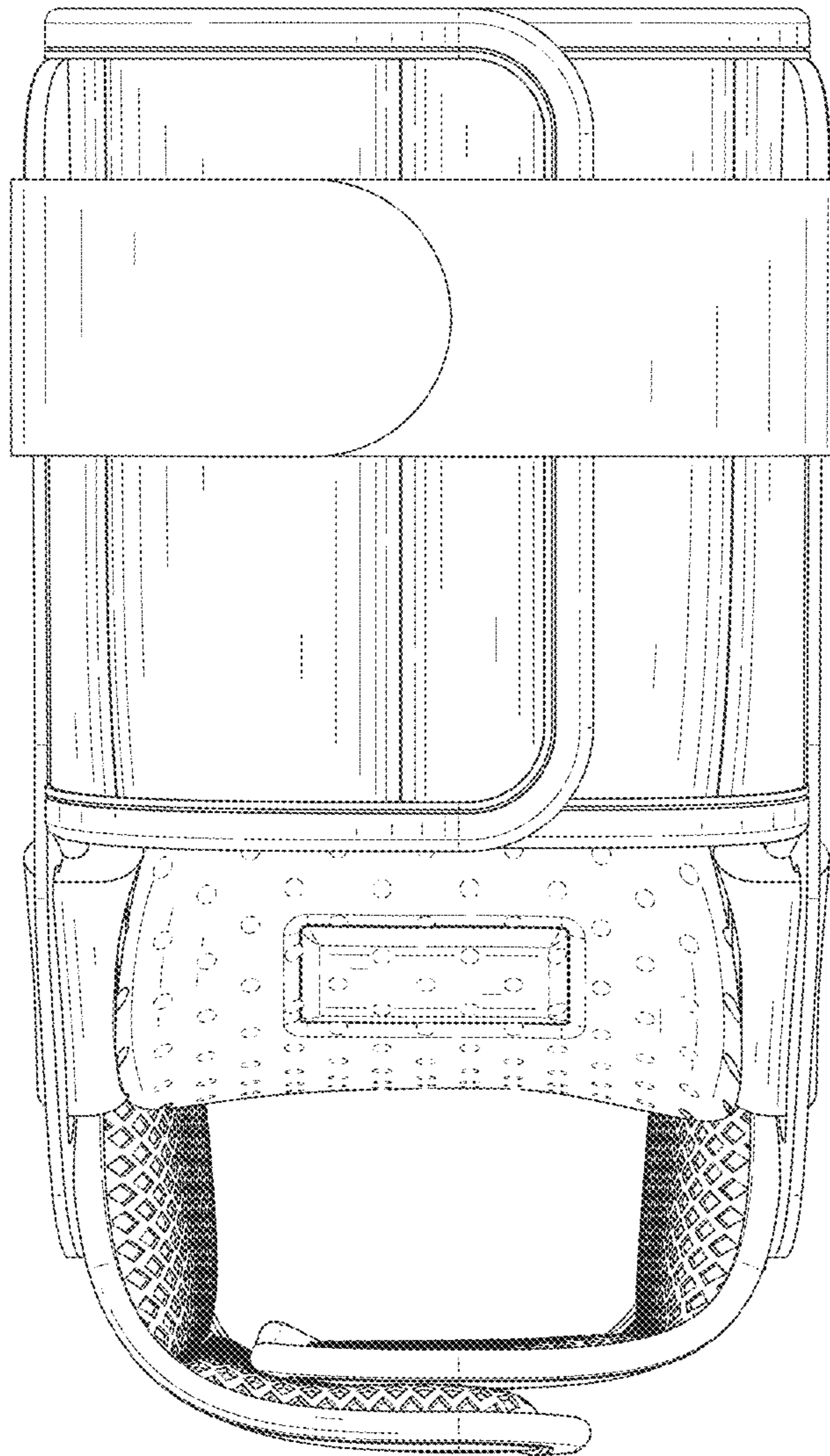


FIG. 4

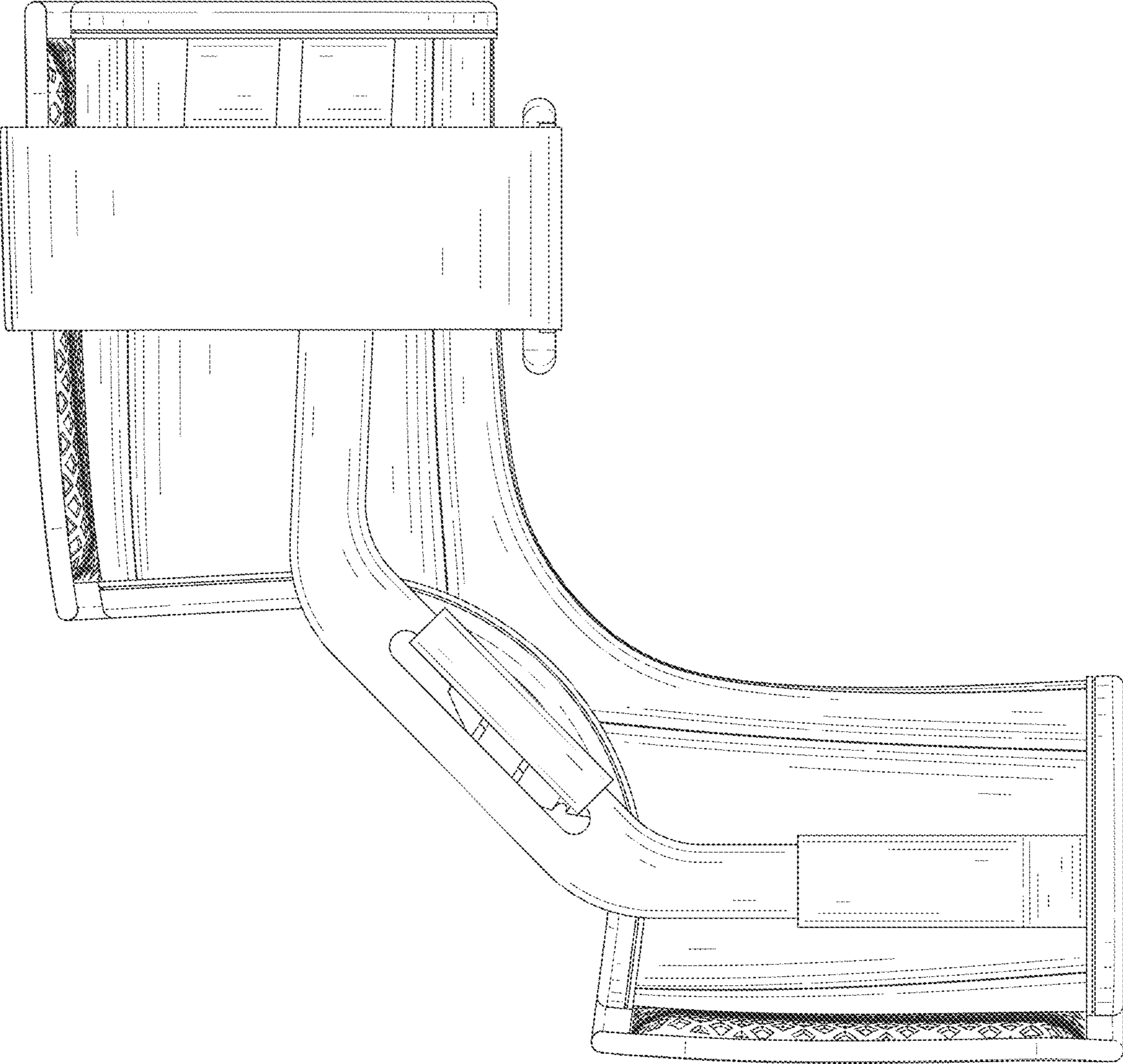


FIG. 5

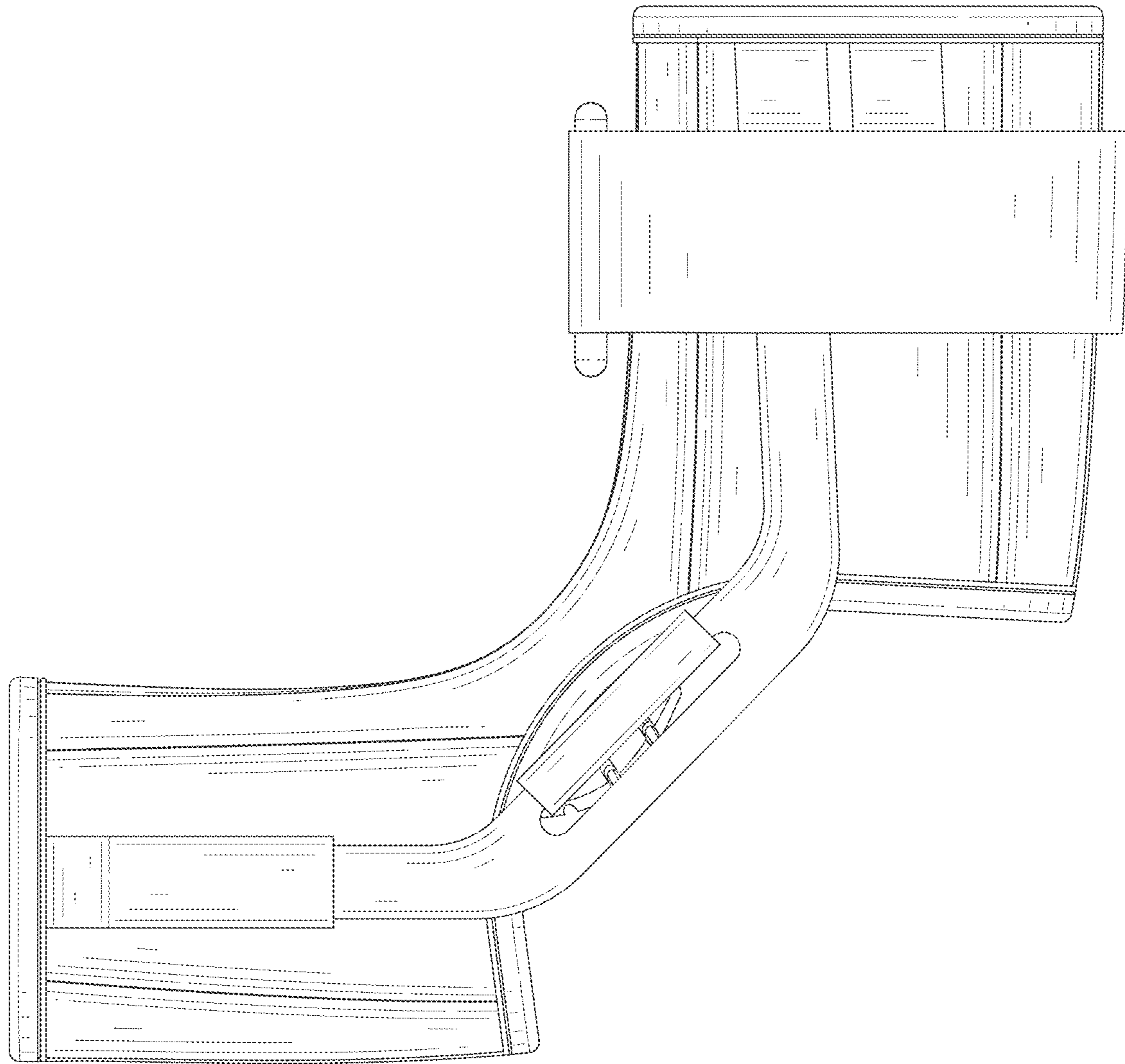


FIG. 6

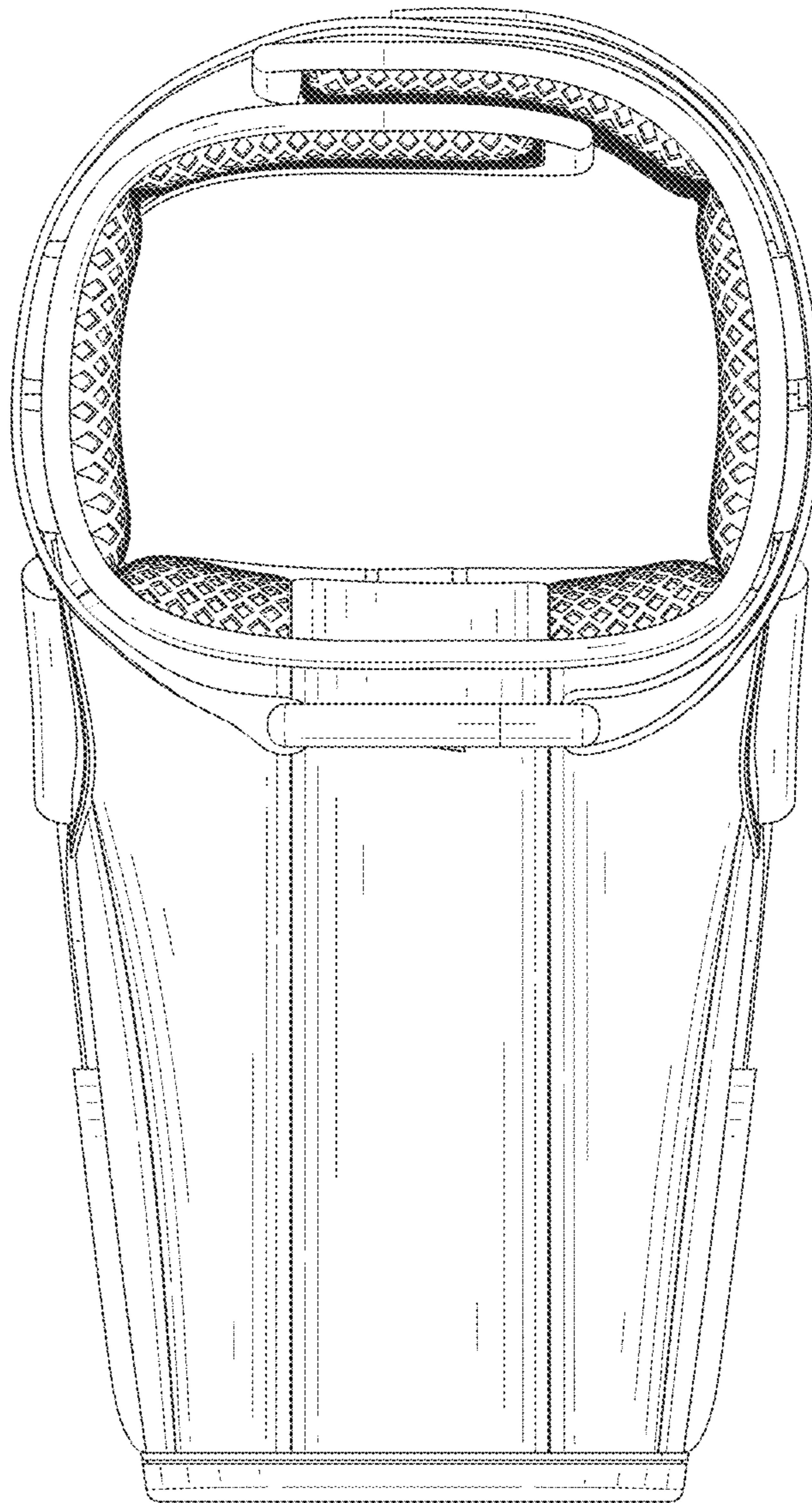


FIG. 7

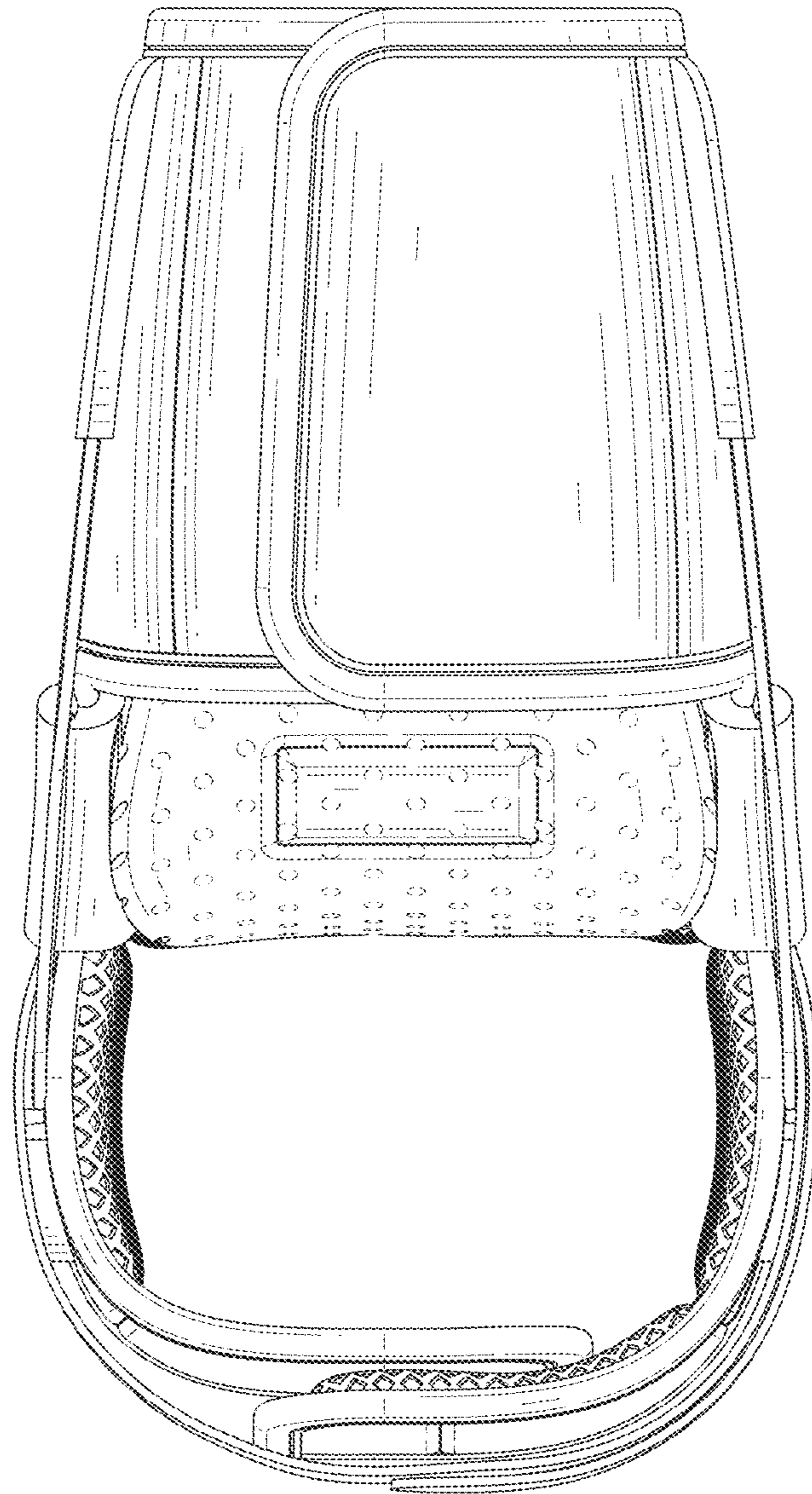


FIG. 8

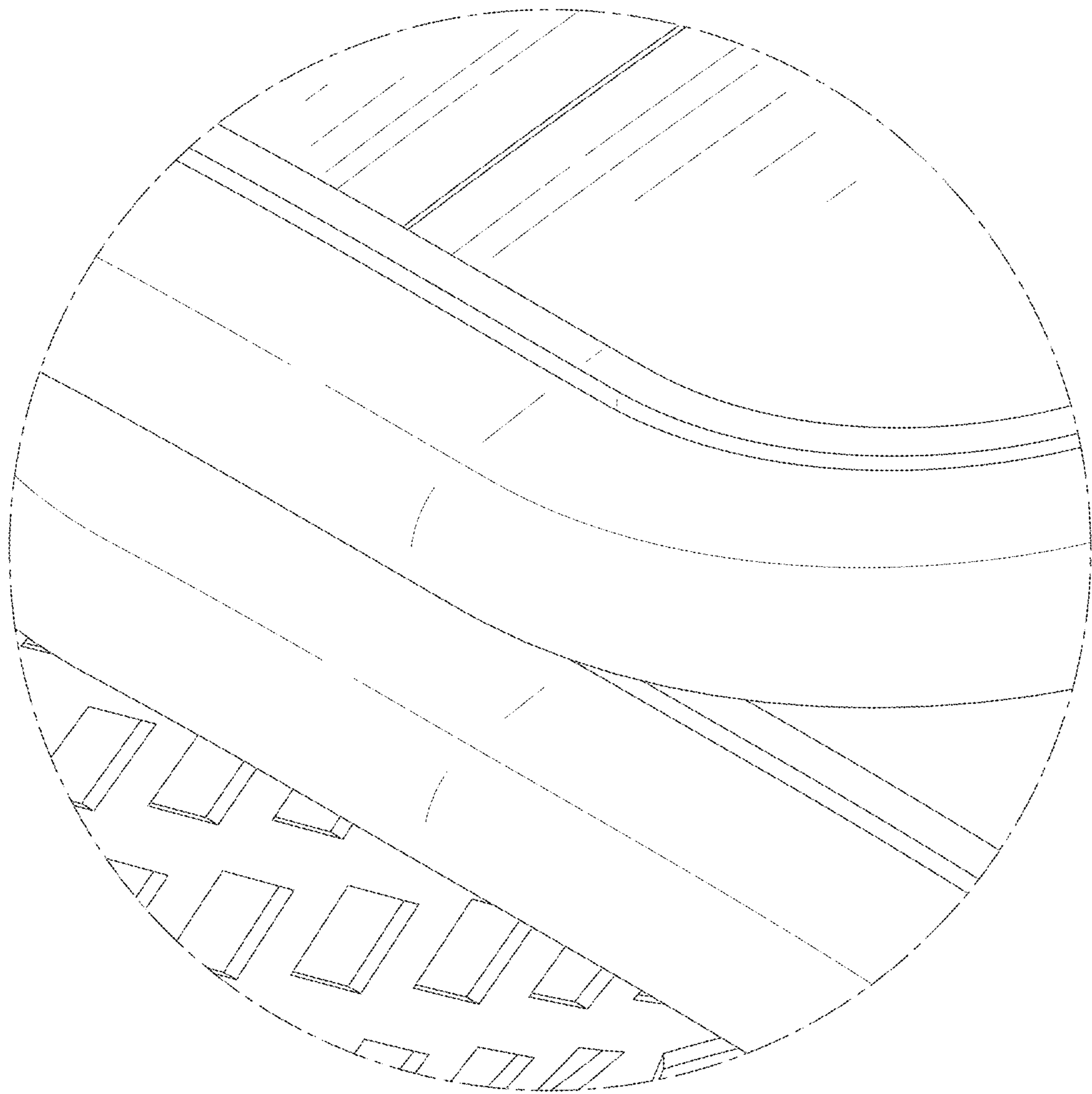


FIG. 9

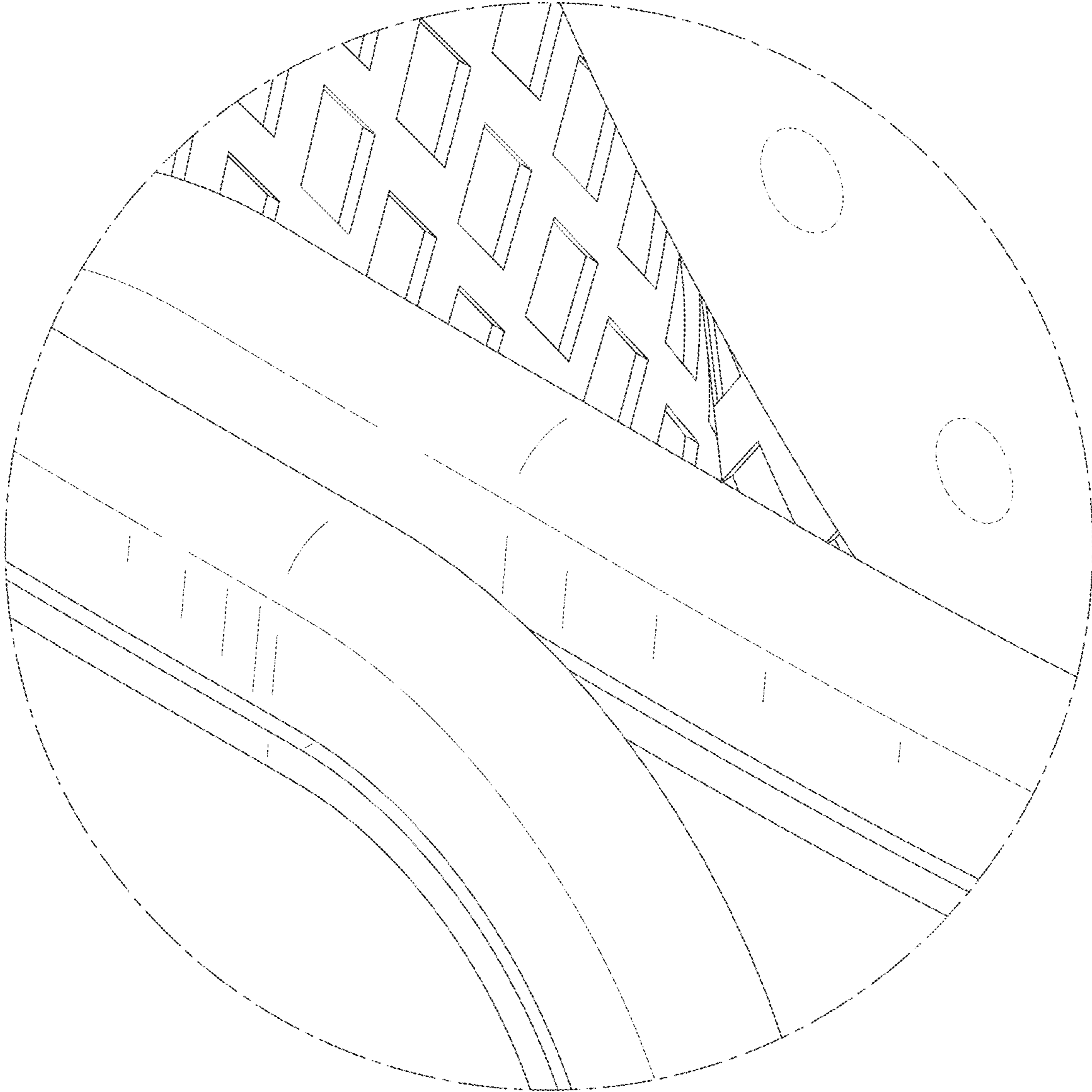


FIG. 10